

This Owner's Manual is provided and hosted by [Appliance Factory Parts](#).



Broil King 875217 Owner's Manual

[Shop genuine replacement parts for Broil King 875217](#)

Broil King®

[Find Your Broil King Grill Parts - Select From 1350 Models](#)

----- Manual continues below part list -----

Available Replacement Parts for Broil King 875217

[59805-017](#)

Control Assembly

Broil King®

ASSEMBLY MANUAL & PARTS LIST - MANUEL DE MONTAGE & LISTE DE PIÈCES - MANUAL DE ARMADO Y LISTA DE PARTES



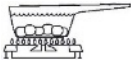
Broil King

BARON 420
8752-14
8752-17
8752-54
8752-57



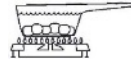
Broil King

BARON S420 PRO
8753-14
8753-17



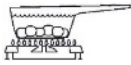
Broil King

BARON 440
8752-24
8752-27
8752-64
8752-67



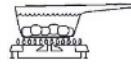
Broil King

BARON S440 PRO
8753-24
8753-27



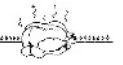
Broil King

BARON 490
8752-44
8752-47
8752-84
8752-87



Broil King

BARON S490 PRO
8753-44
8753-47




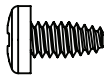
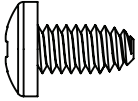
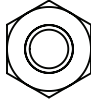
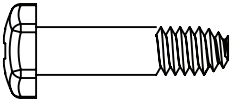
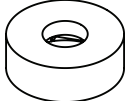
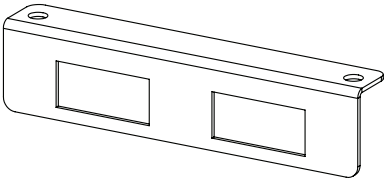
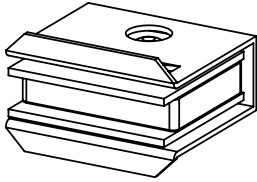
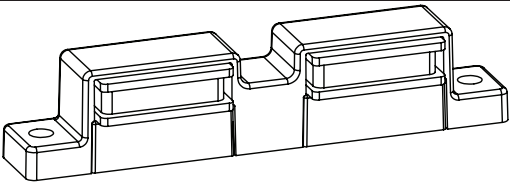
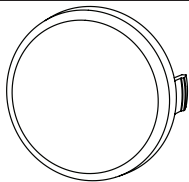
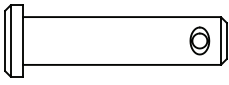
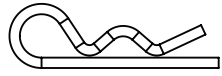
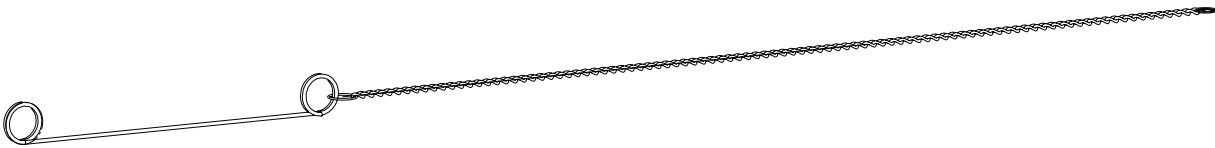
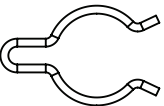
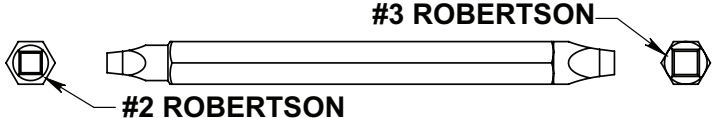
RETAIN FOR FUTURE REFERENCE - VEUILLEZ CONSERVER POUR REFERENCE ULTERIEURE - CONSERVAR PARA FUTURAS CONSULTAS

Onward
MANUFACTURING COMPANY LIMITED
SINCE 1906
585 KUMPF DRIVE
WATERLOO, ONTARIO, CANADA
N2V 1K3

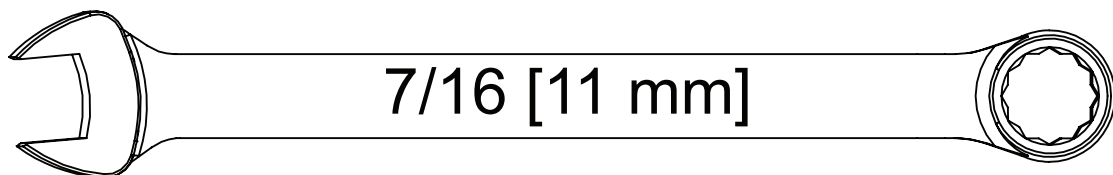
info@omcbbq.com
1-800-265-2150

50084-E70 REV B 08/20

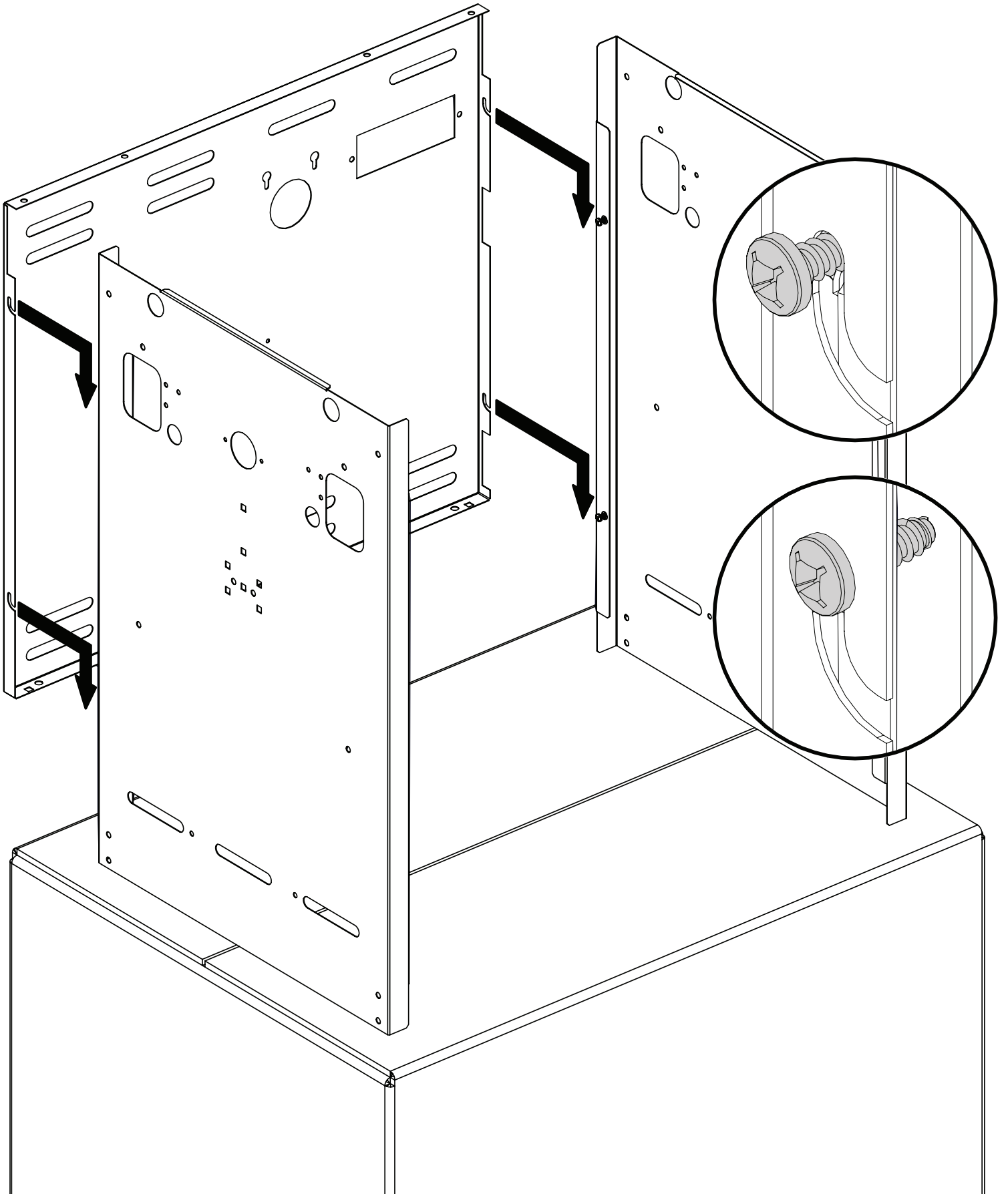
HARDWARE INCLUDED / MATERIAL INCLUS

S21124		(8)	Y-29304		(2)
Y-12865		(22)	Y-11793		(2)
Y-11551		(2)	Y-12124		(2)
56039-211		(1)	Y-12223		(2)
Y-12229		(1)	32001-151		(4)
S21235		(2)	S21233		(2)
20005-000					(1)
Y-11230		(1)	 <p>#3 ROBERTSON</p> <p>#2 ROBERTSON</p>		

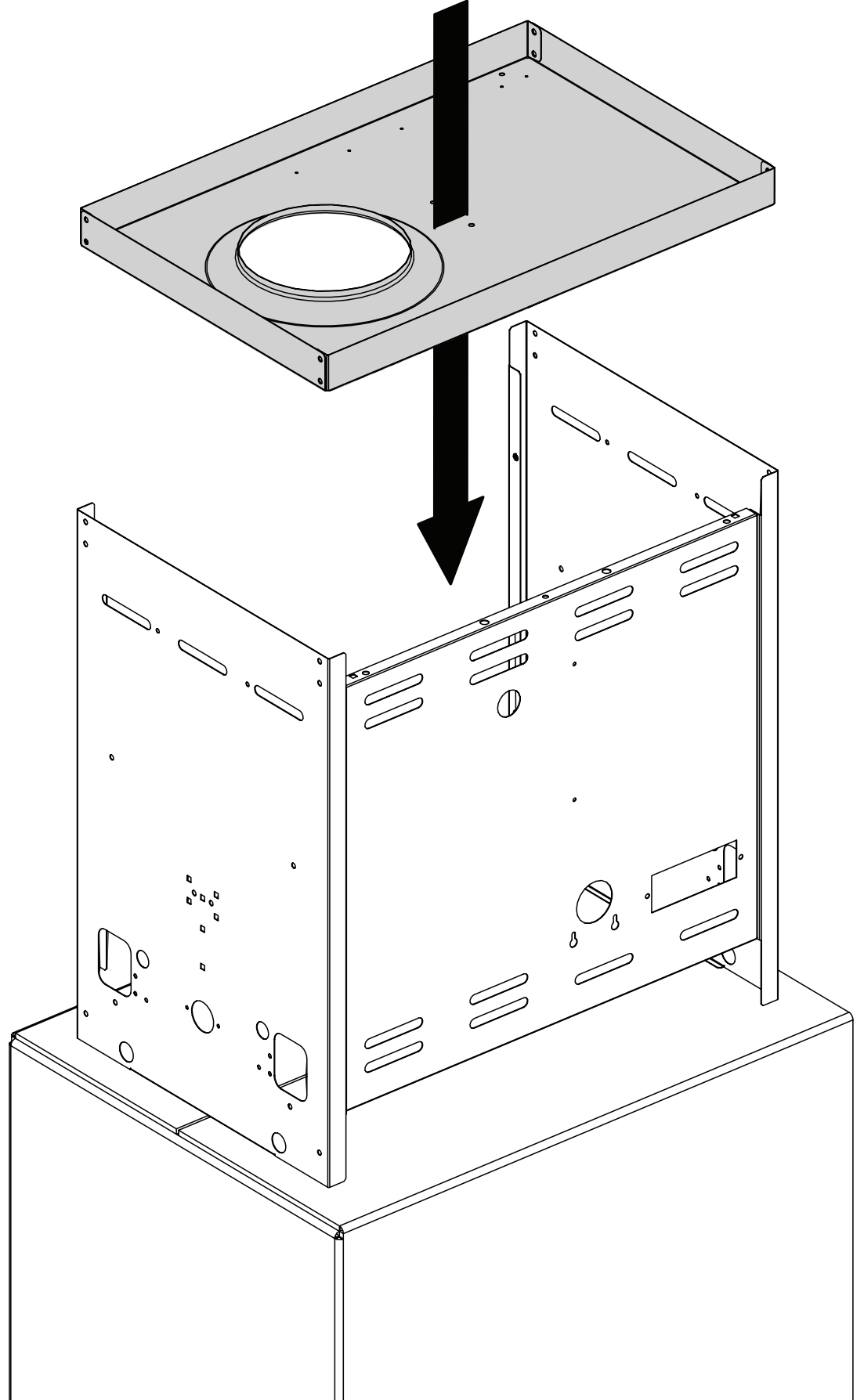
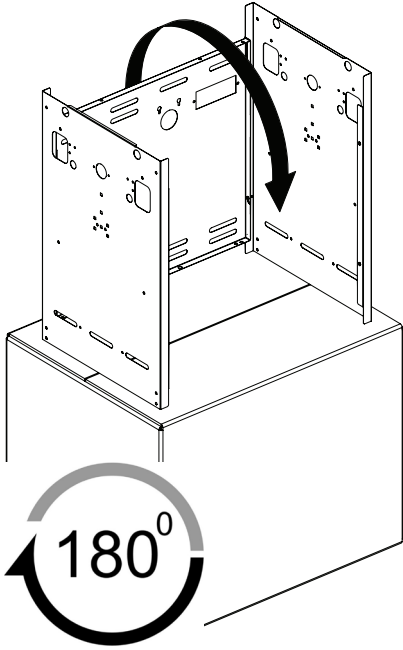
TOOLS REQUIRED / OUTILS NECESSAIRES



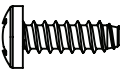
1

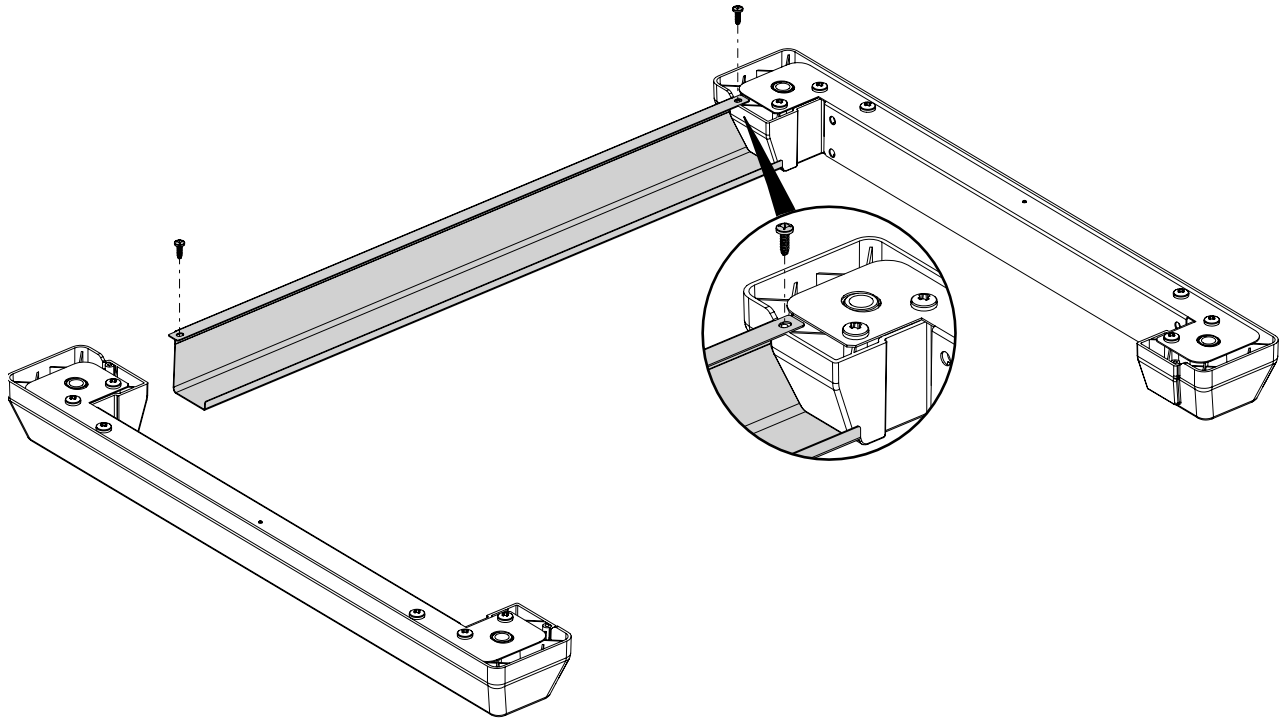


2

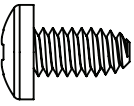


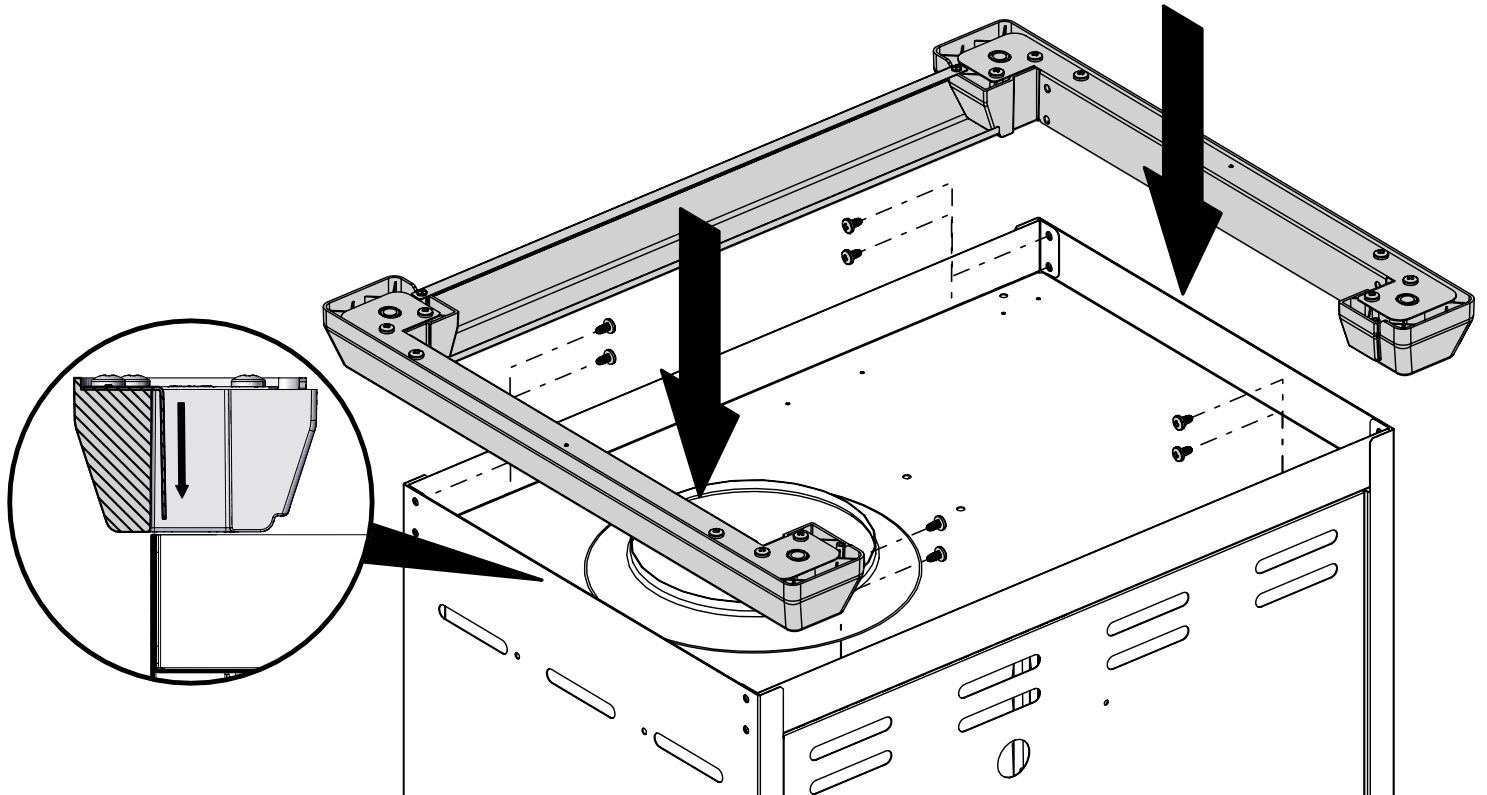
3

(2) 



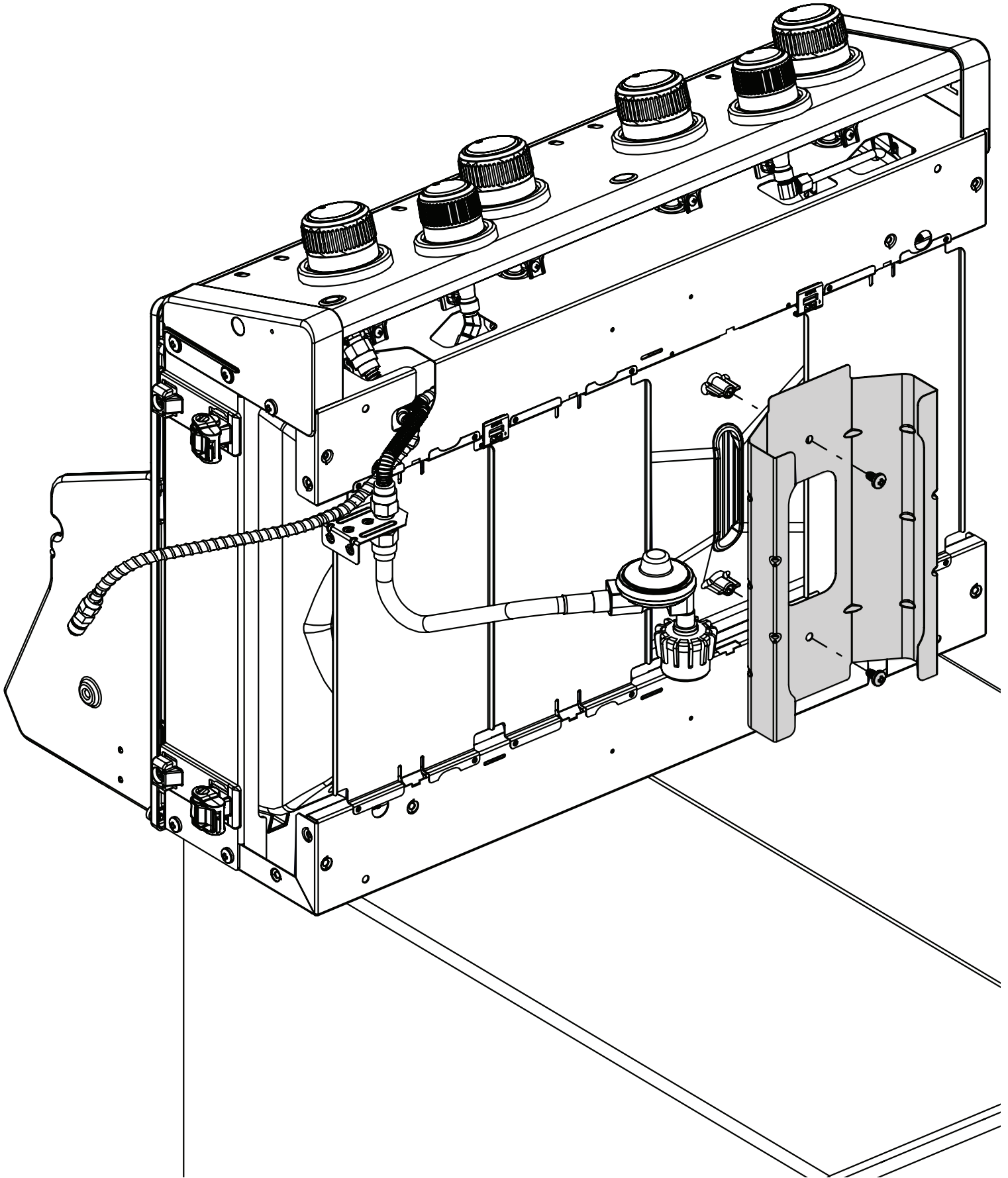
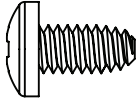
4

(8) 

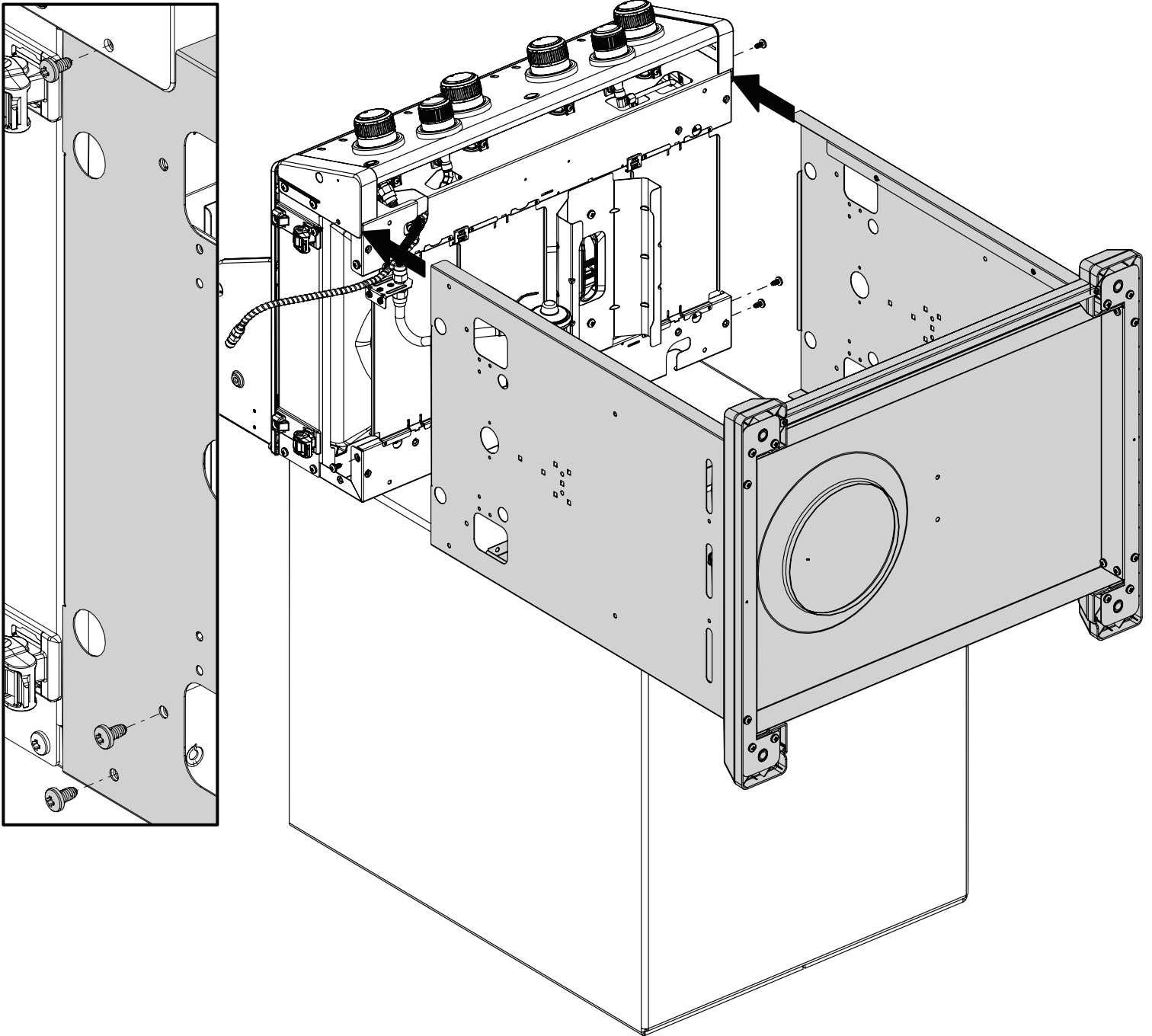
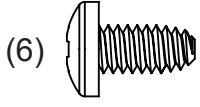


5

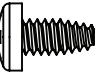
(2)

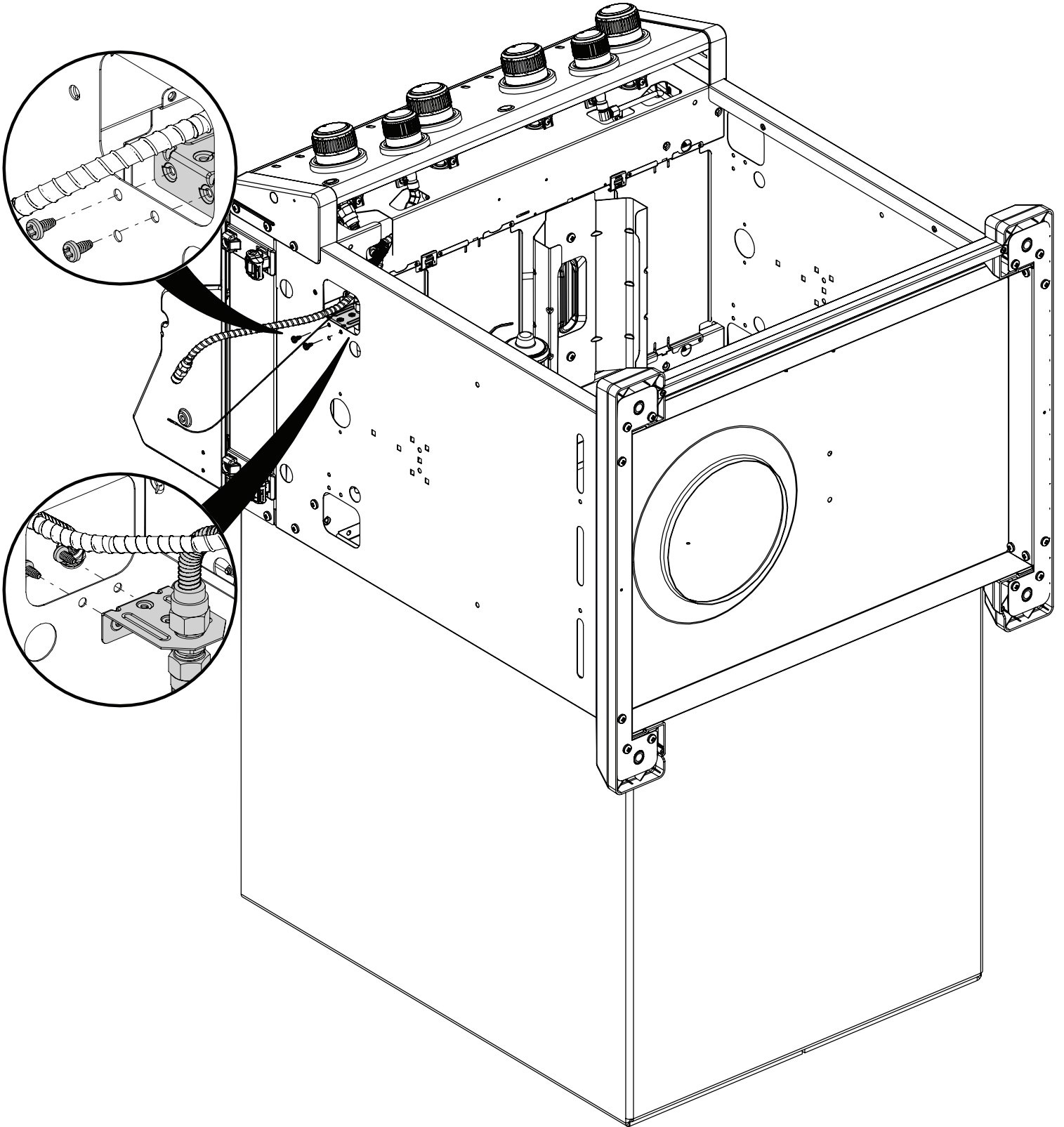


6

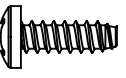


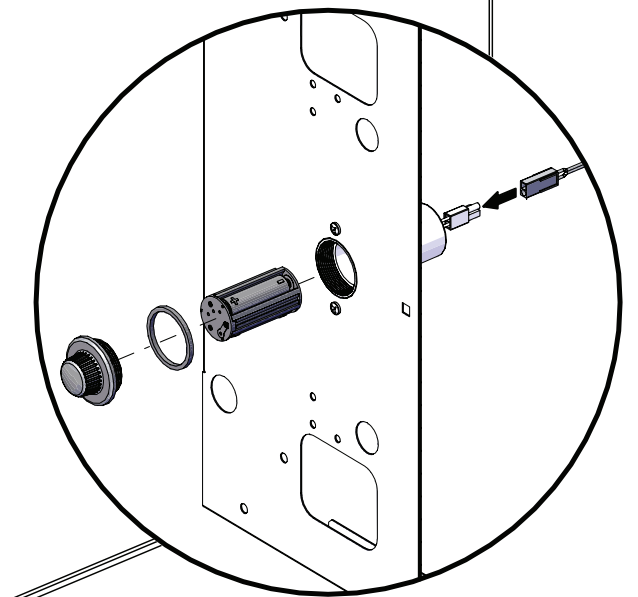
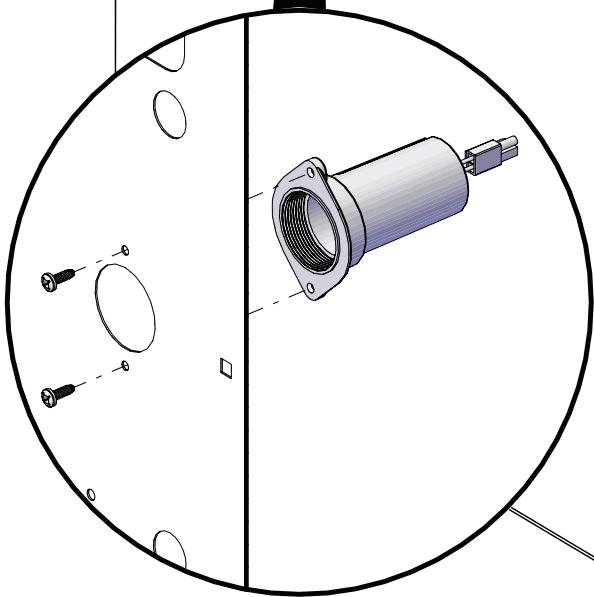
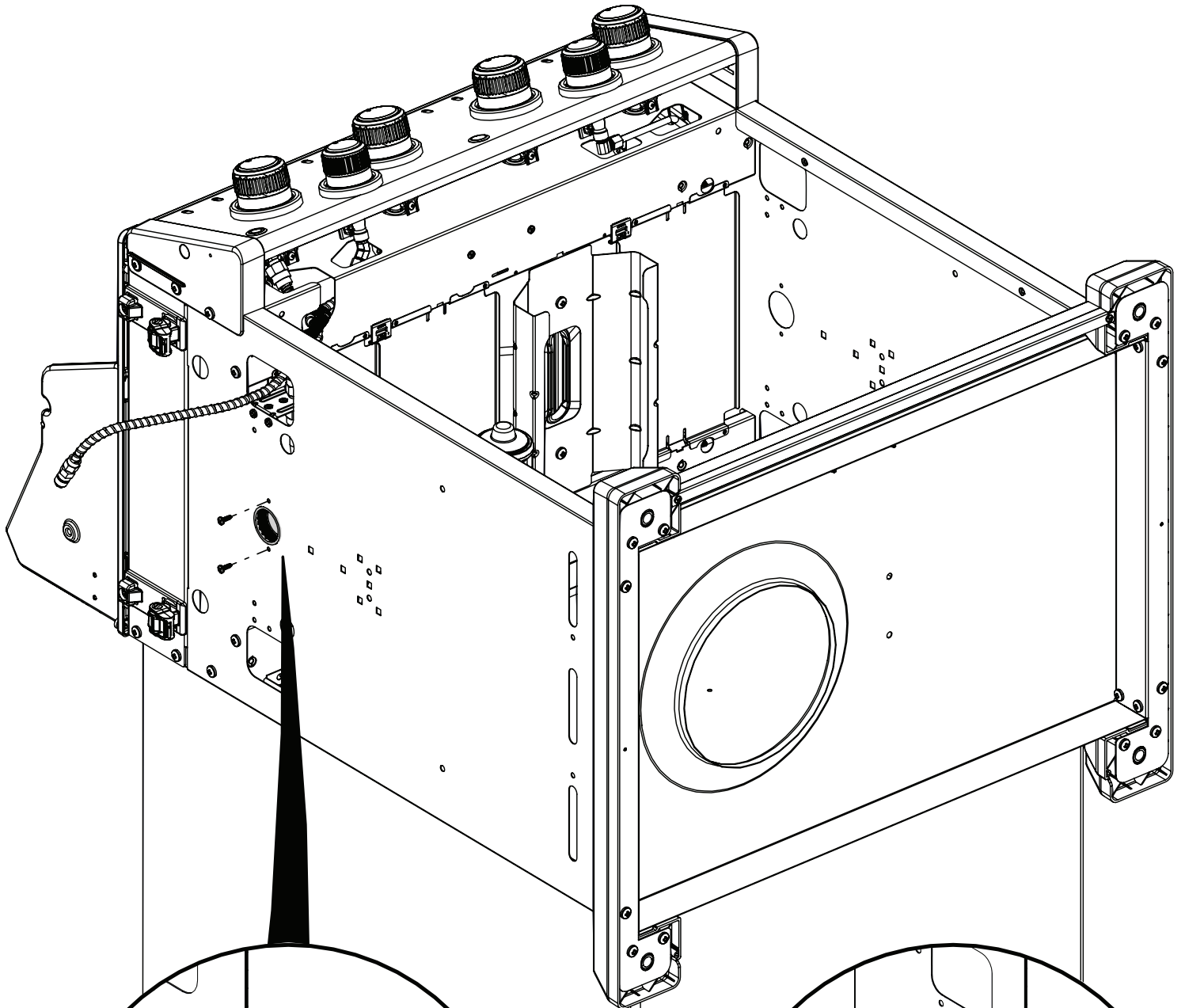
7

(2) 

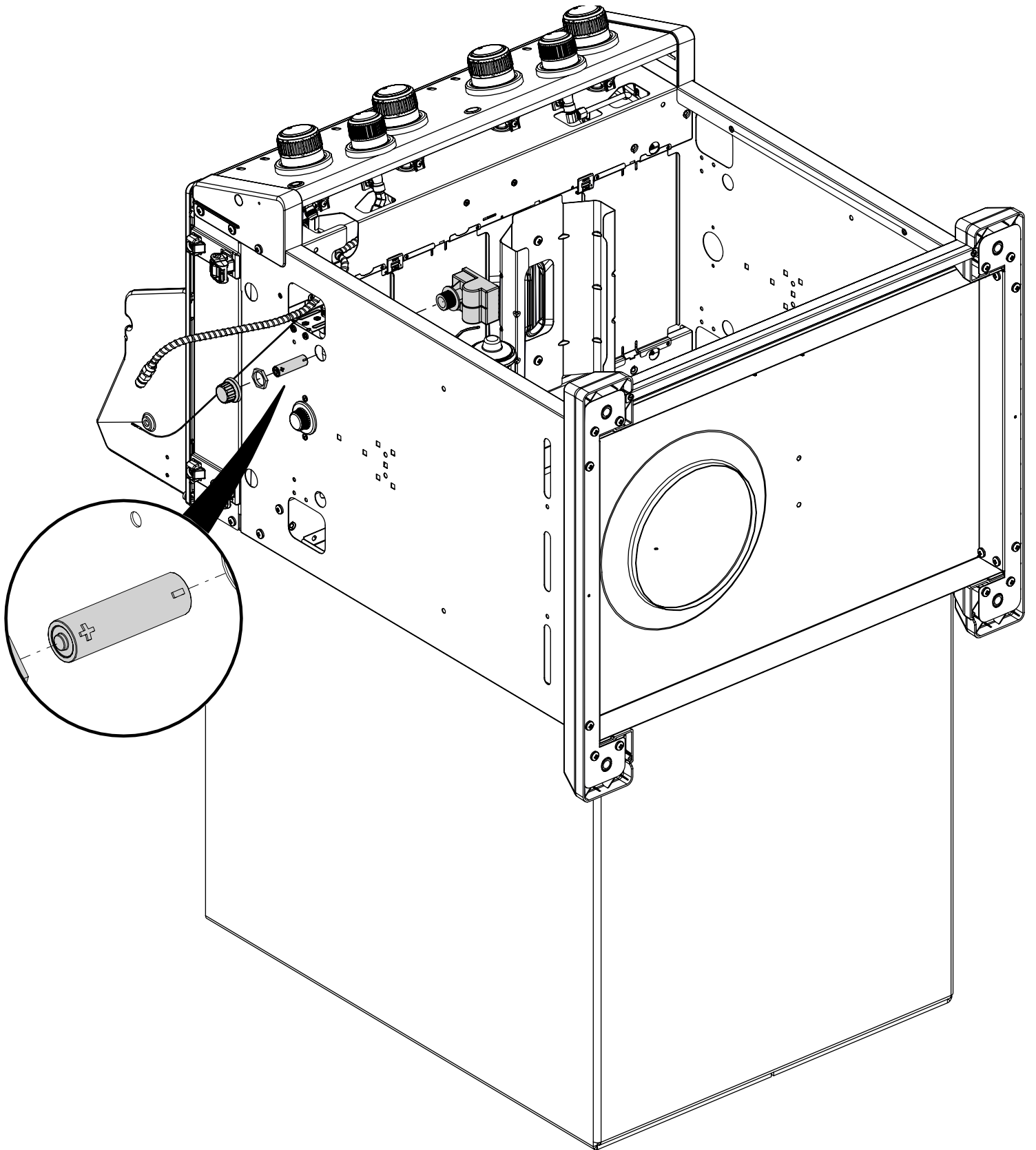


8

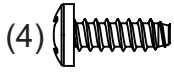
(2) 



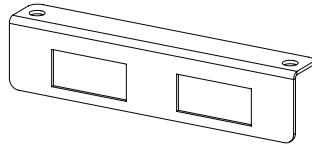
9



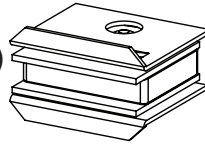
10



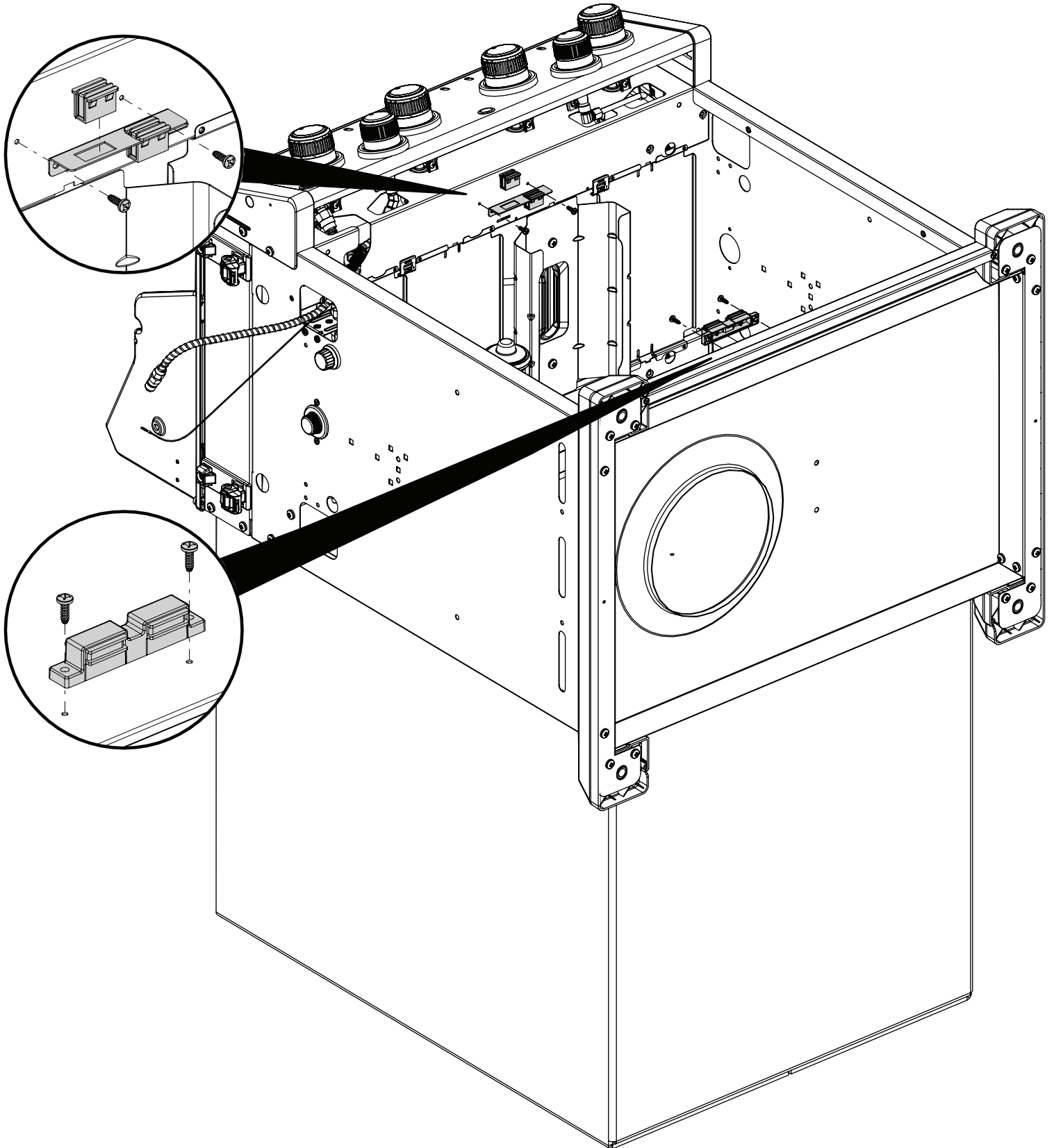
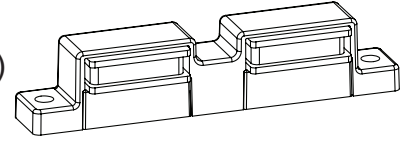
(1)



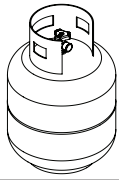
(2)



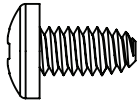
(1)



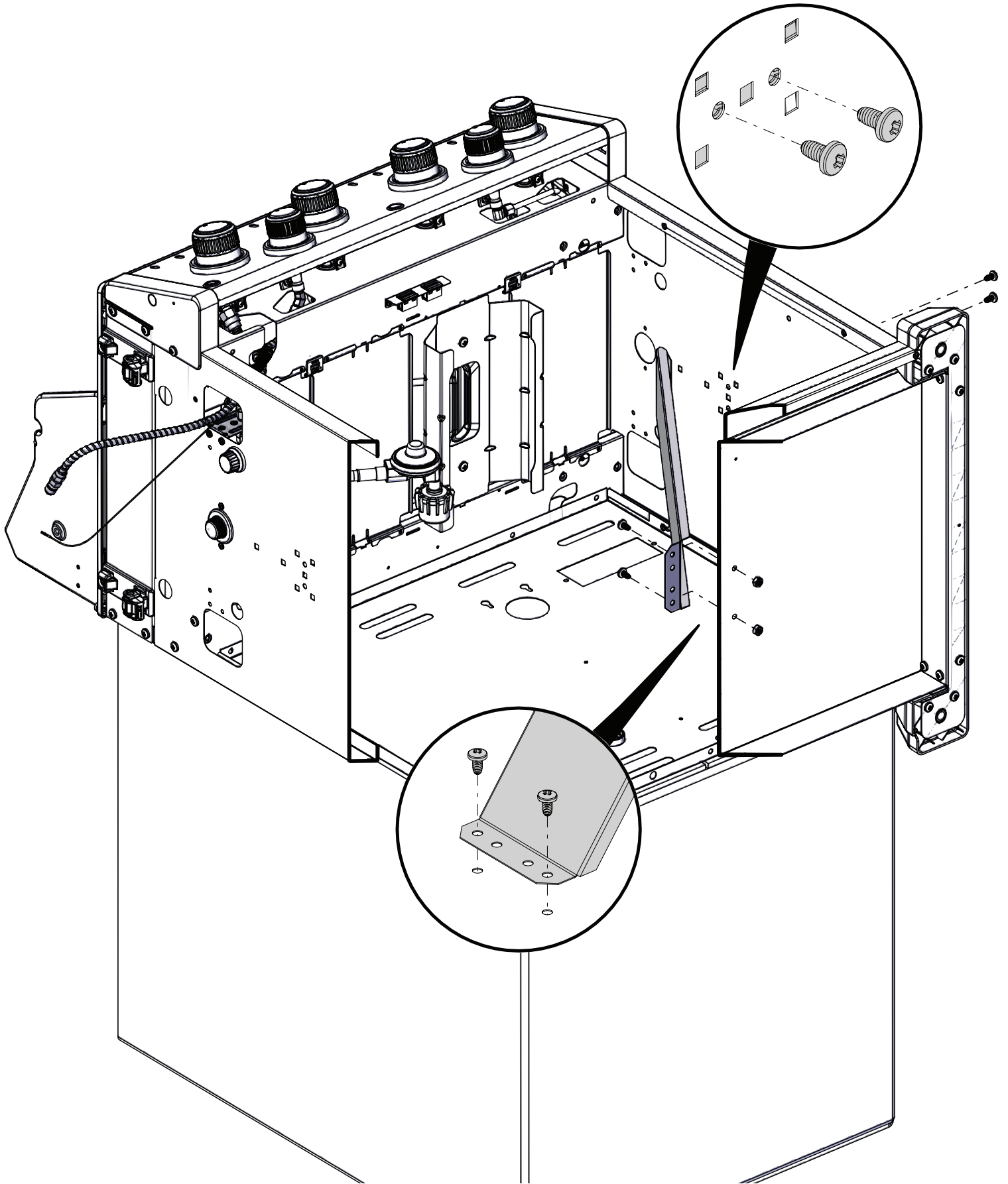
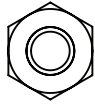
11



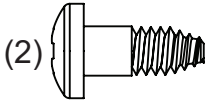
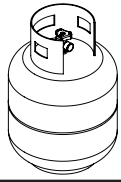
(4)



(2)

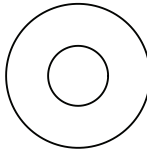


12

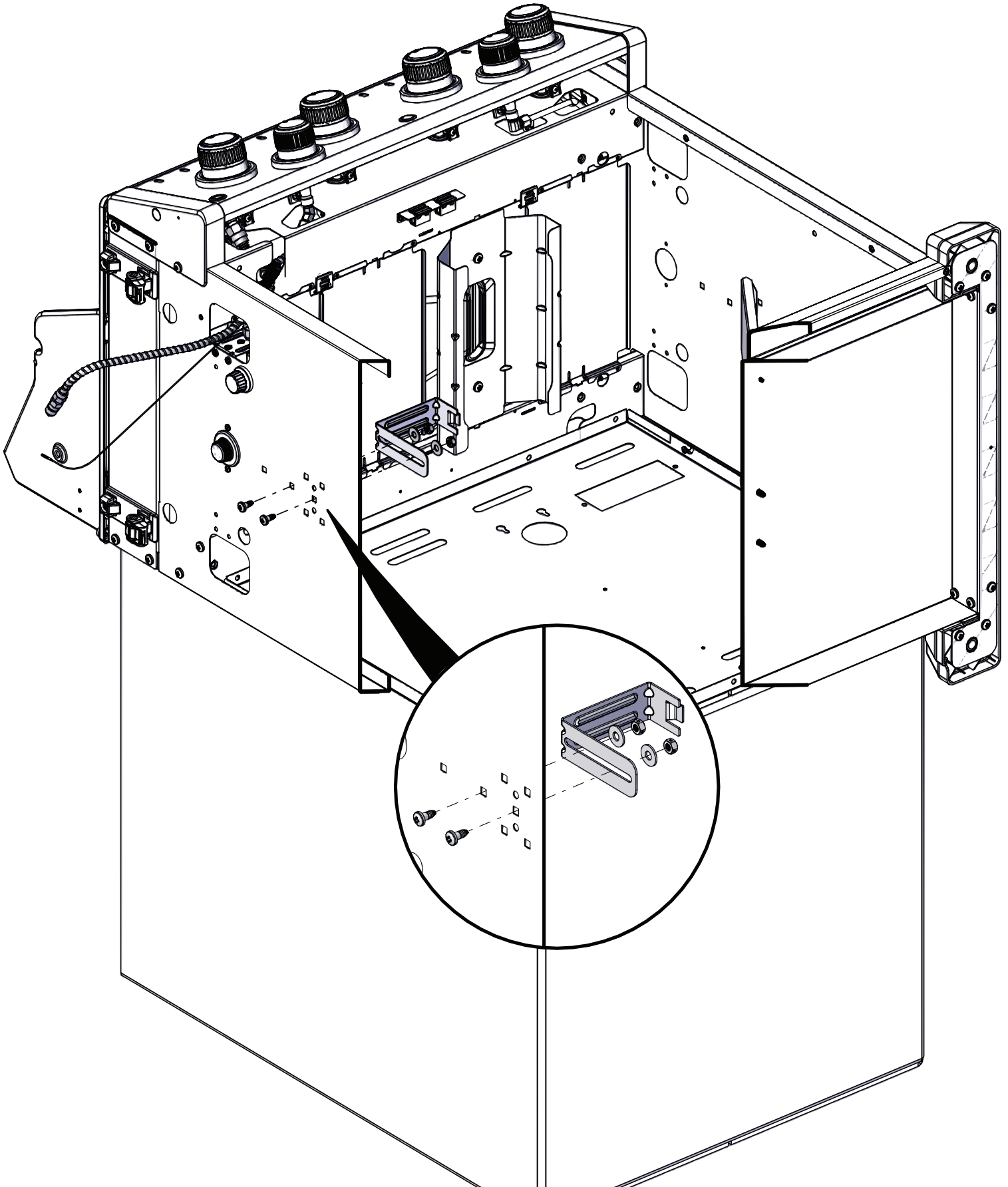
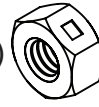


(2)

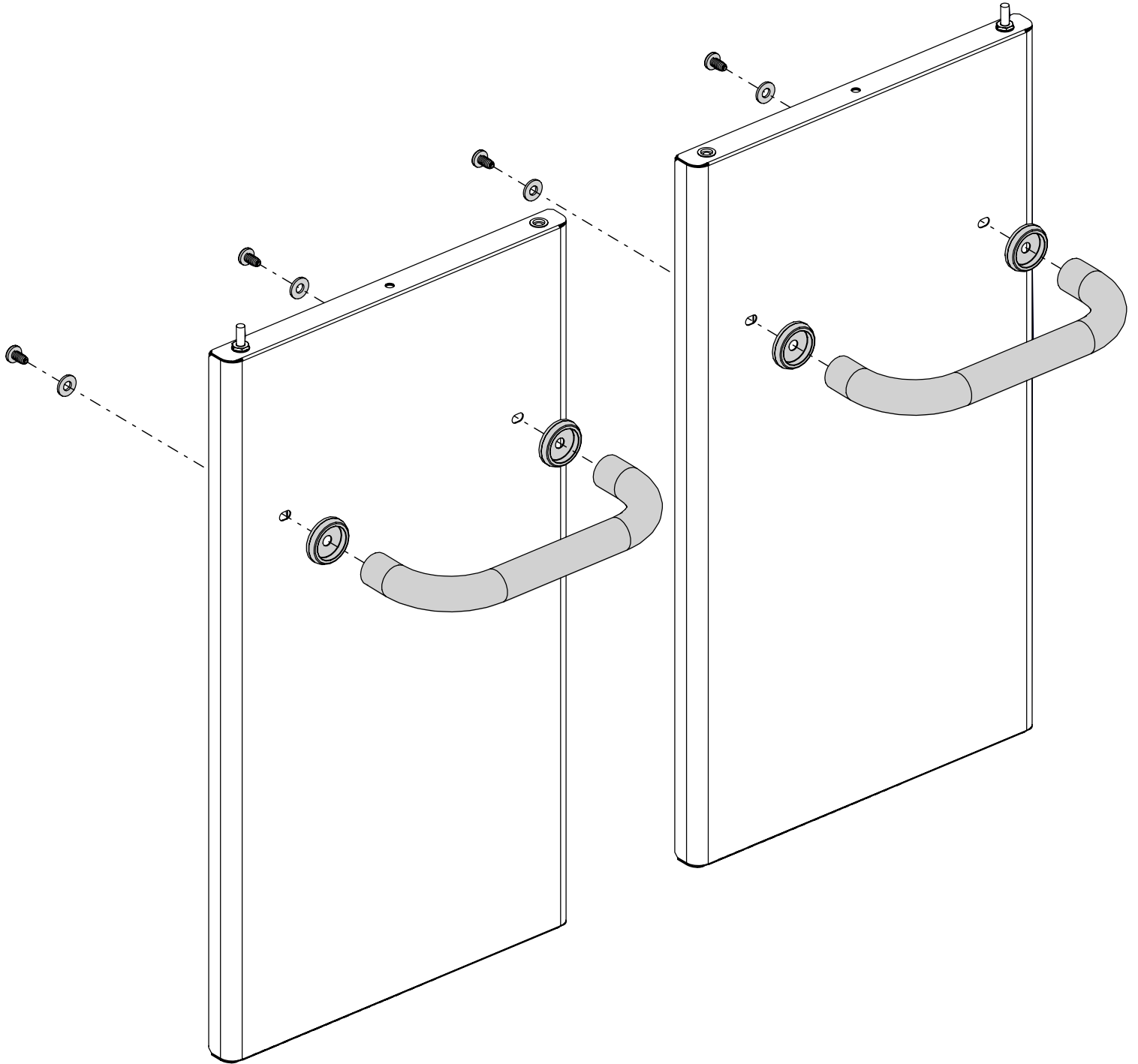
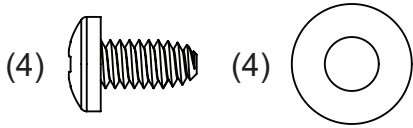
(2)



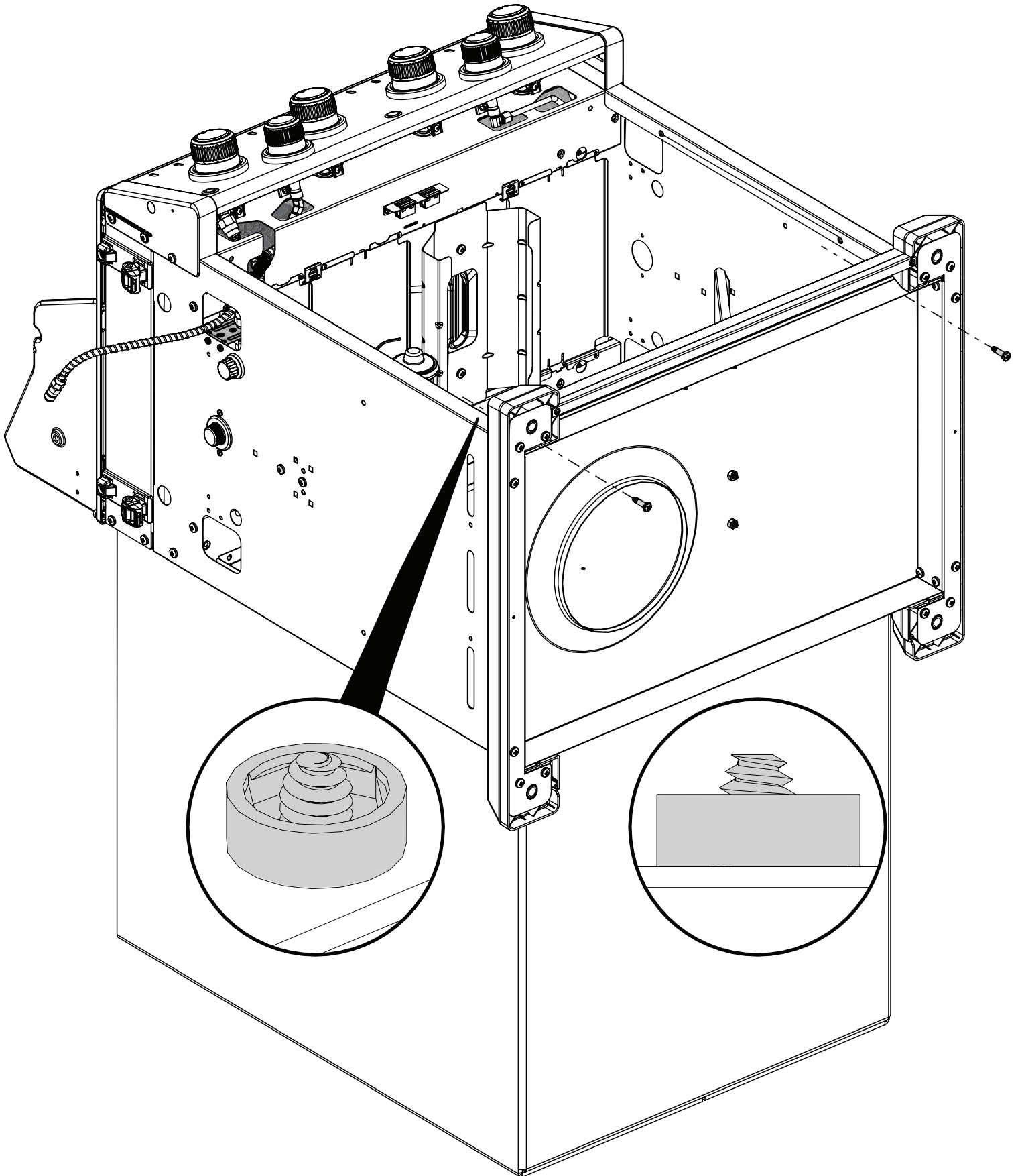
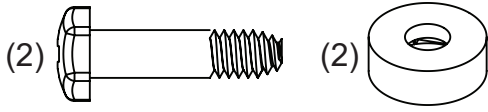
(2)

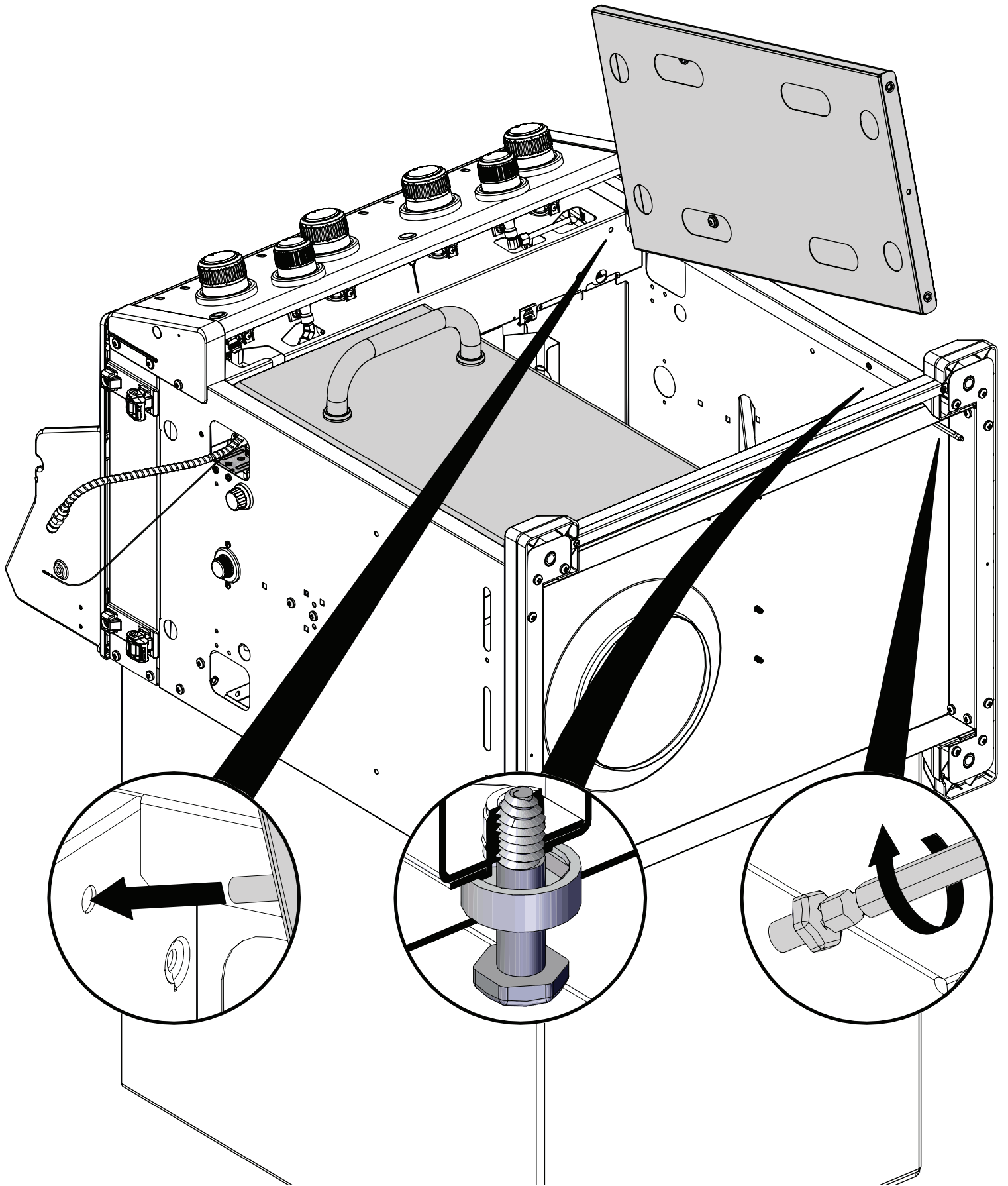


13



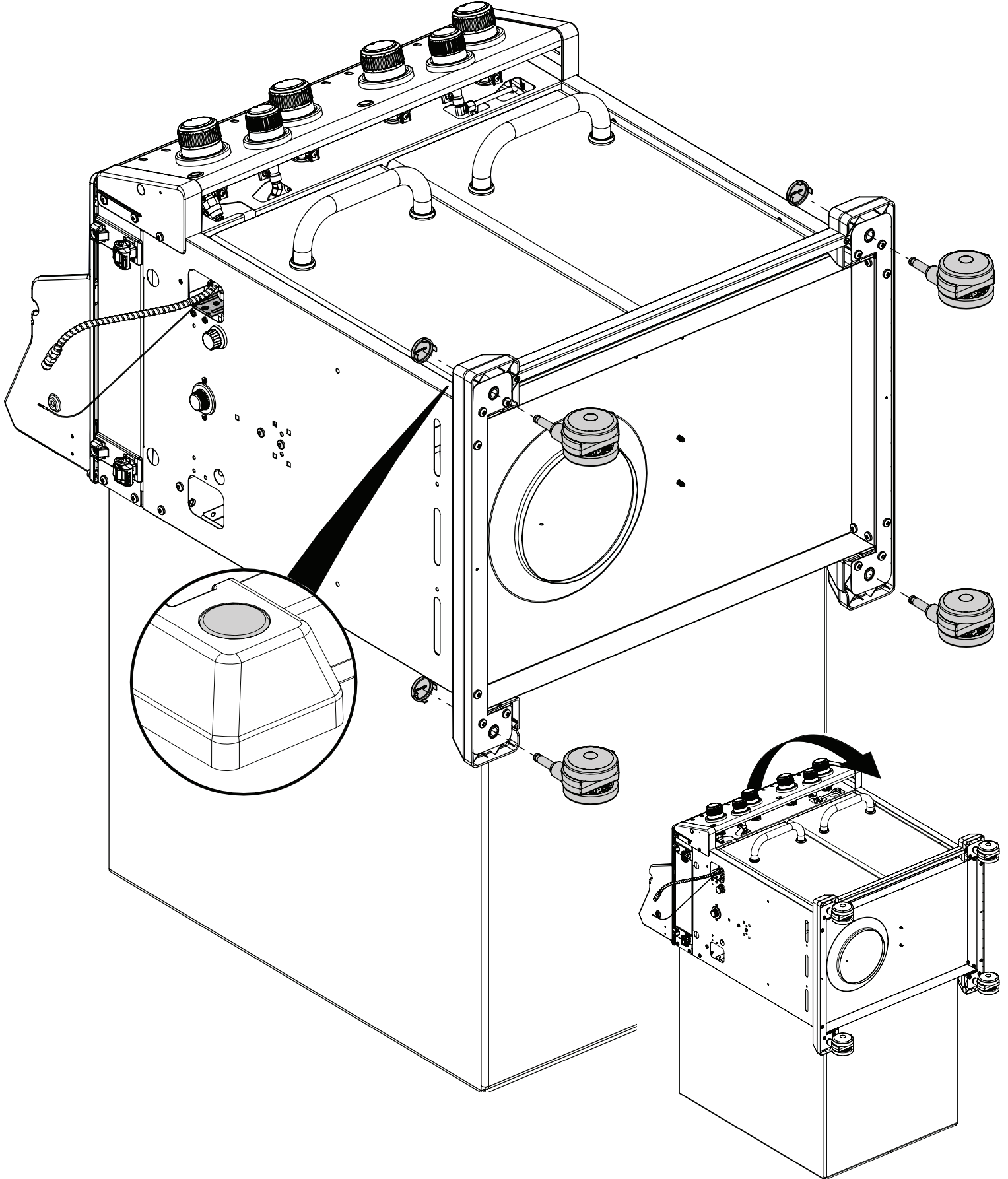
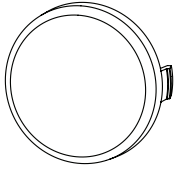
14





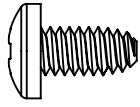
16

(4)

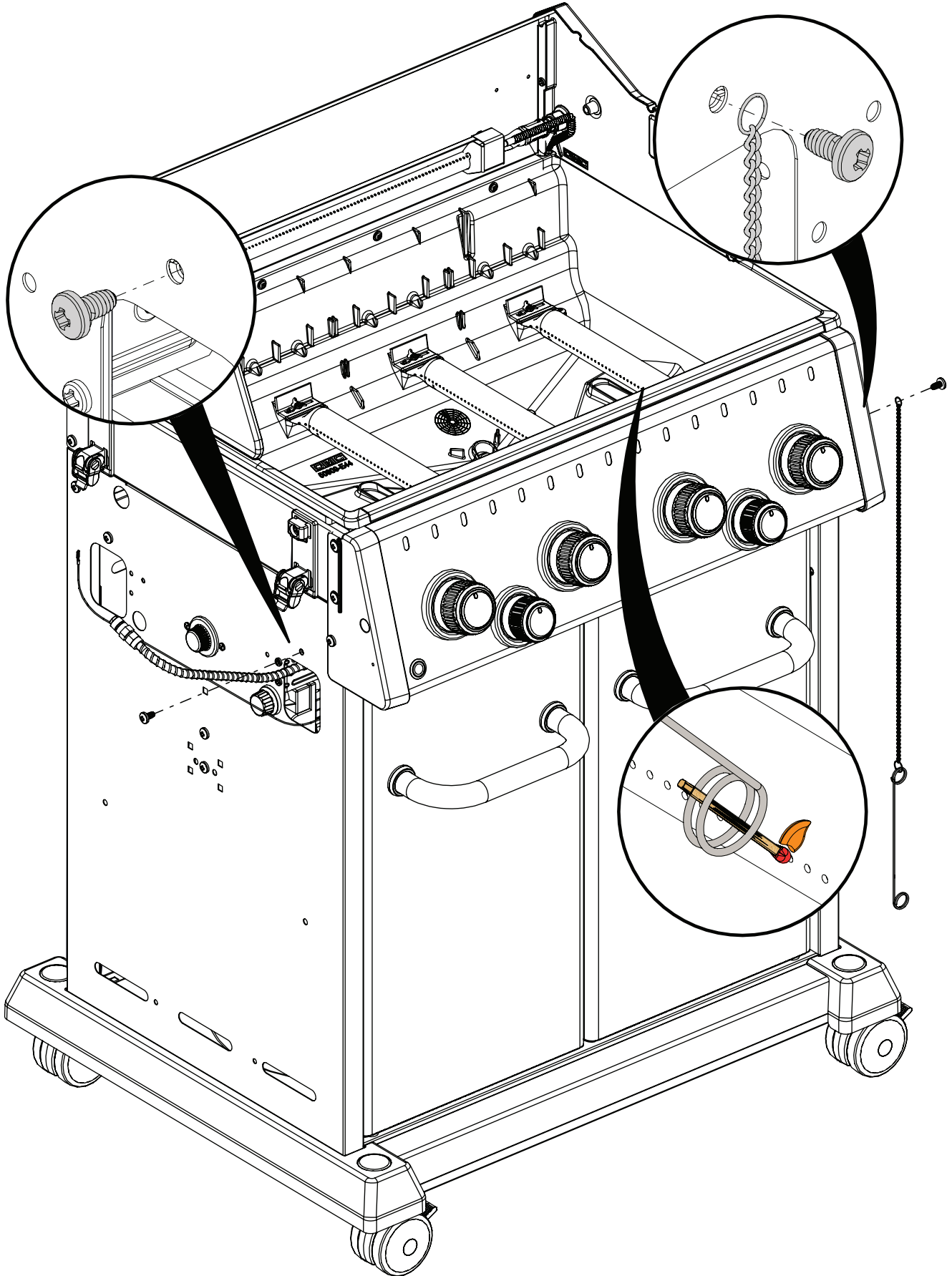


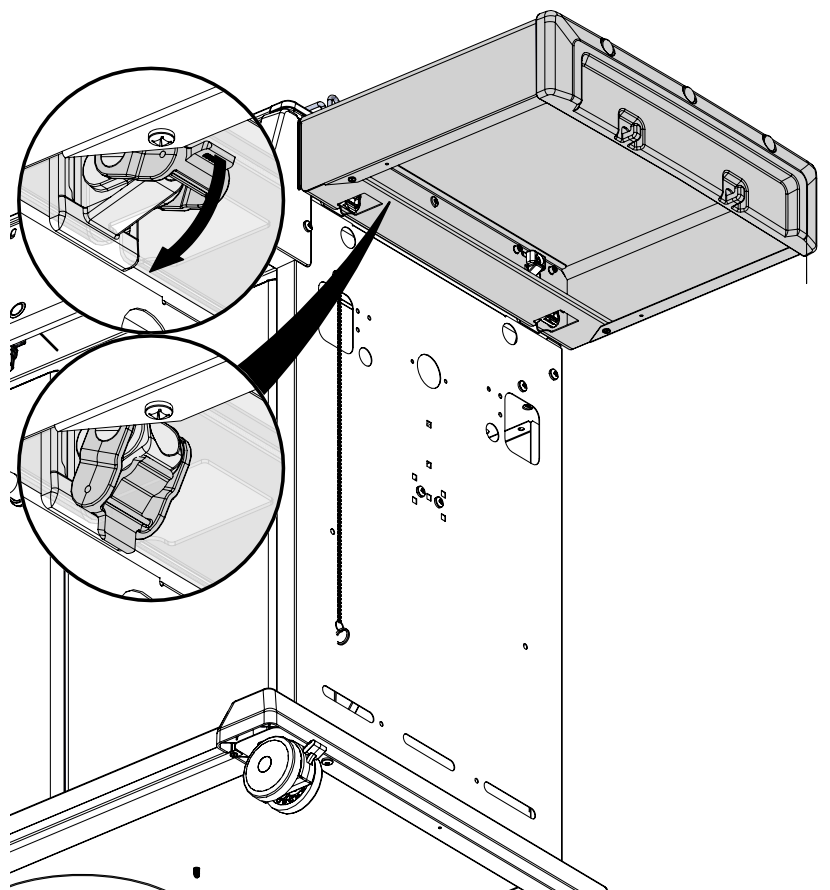
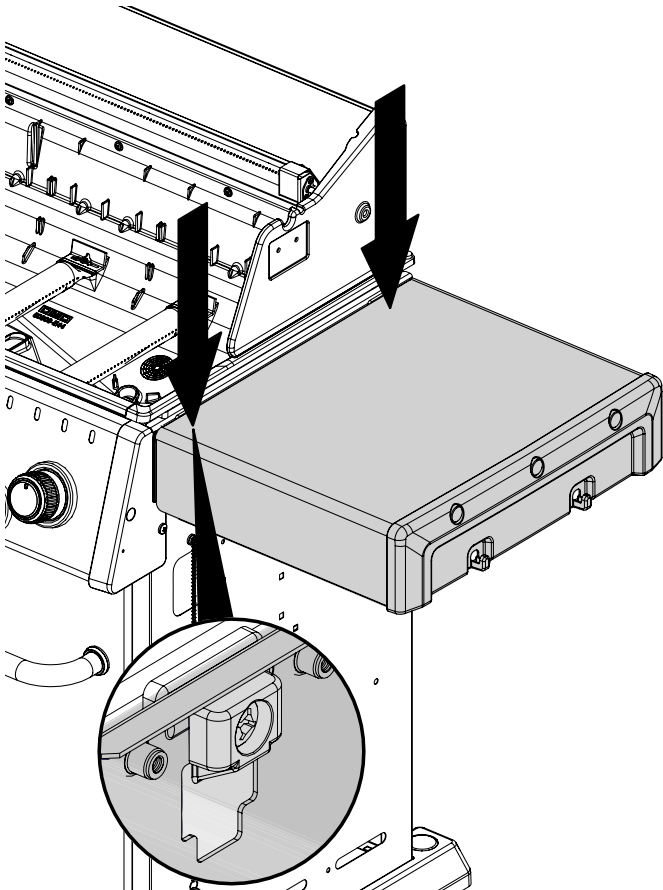
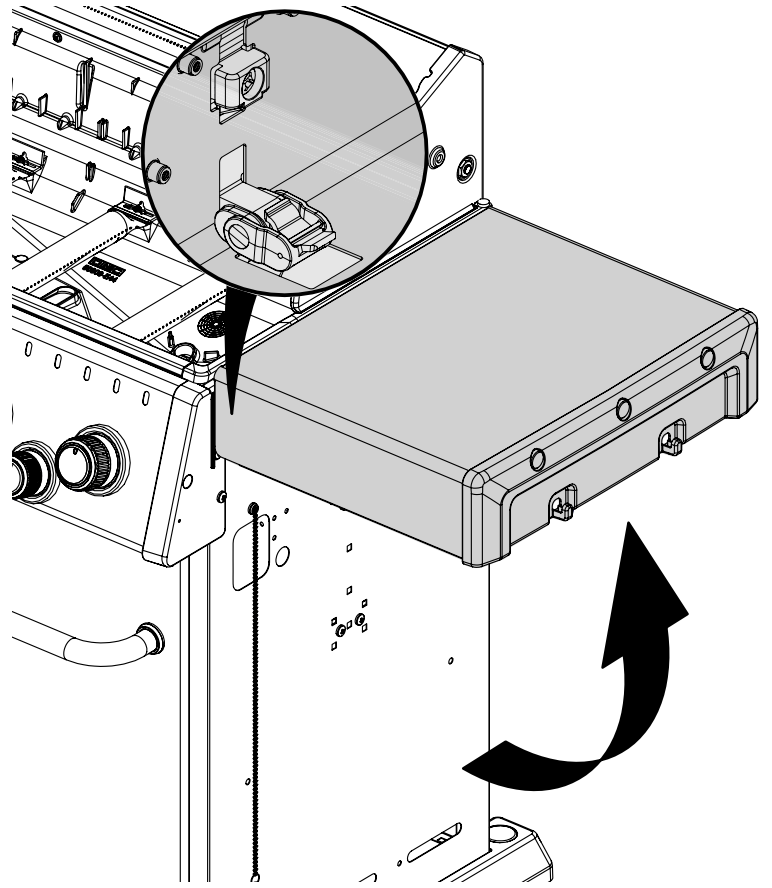
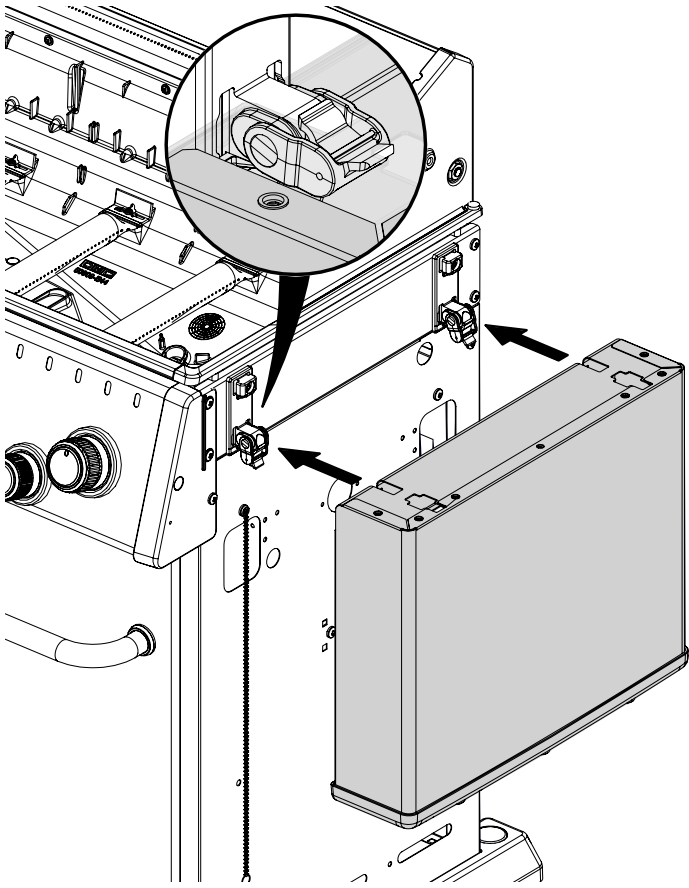
17

(2)

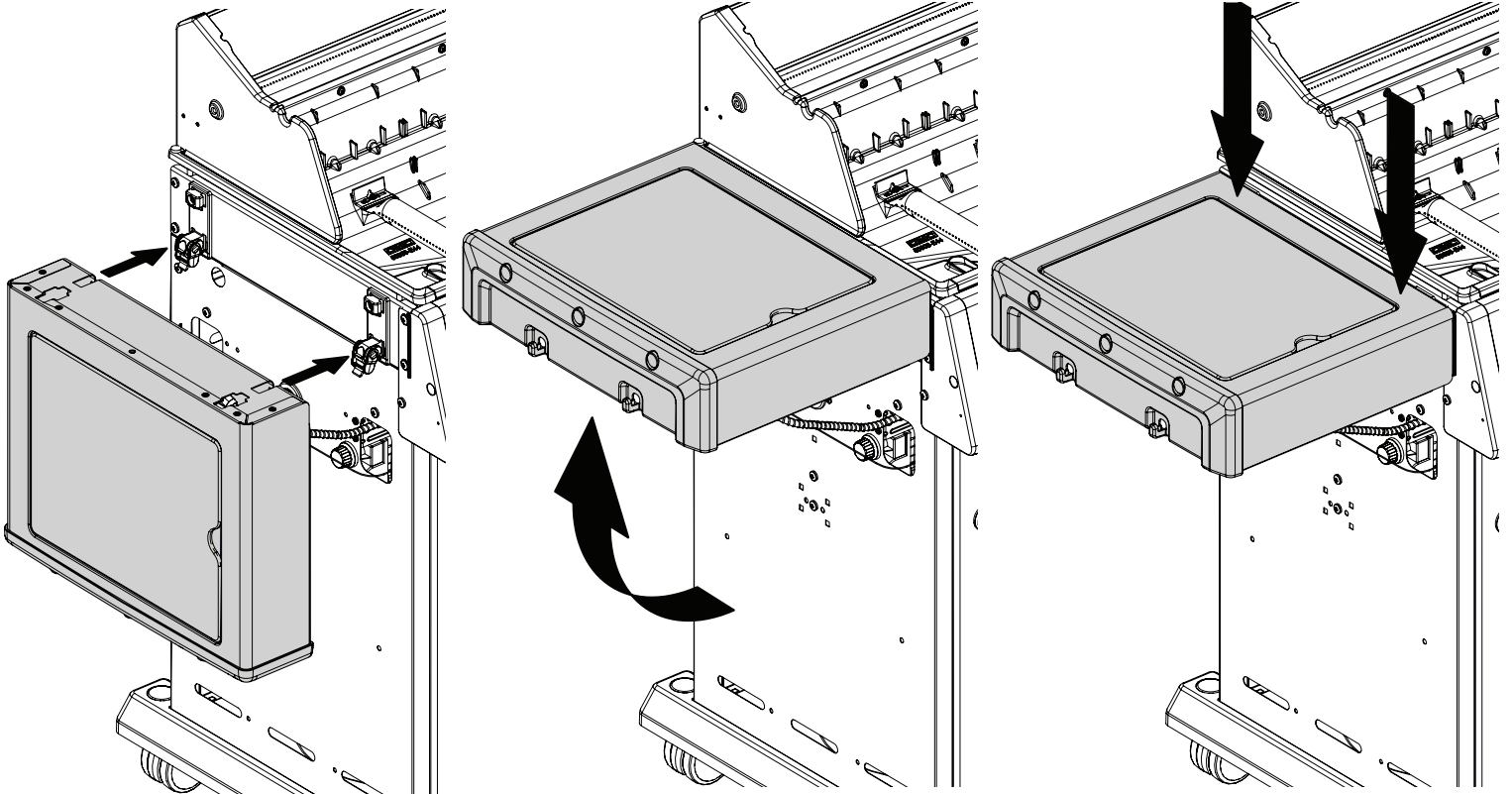


(1)

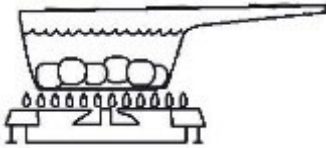




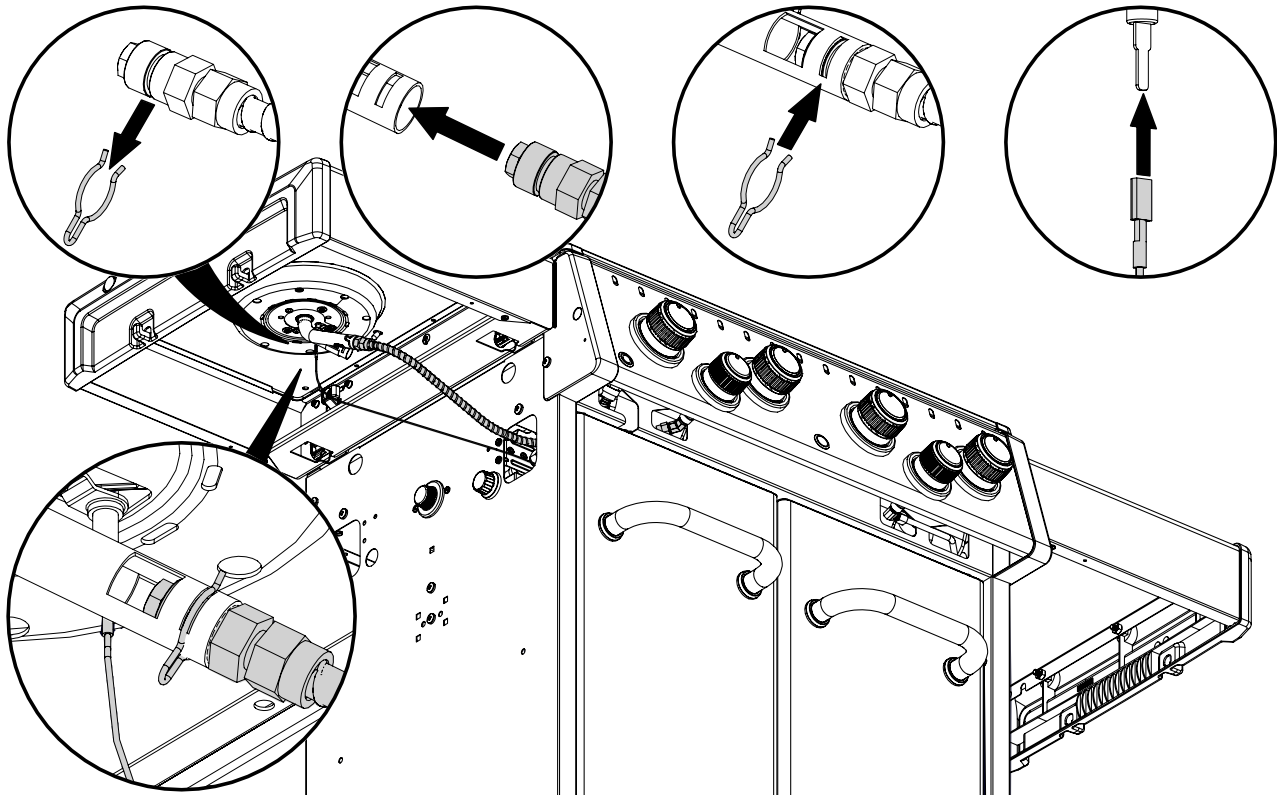
19



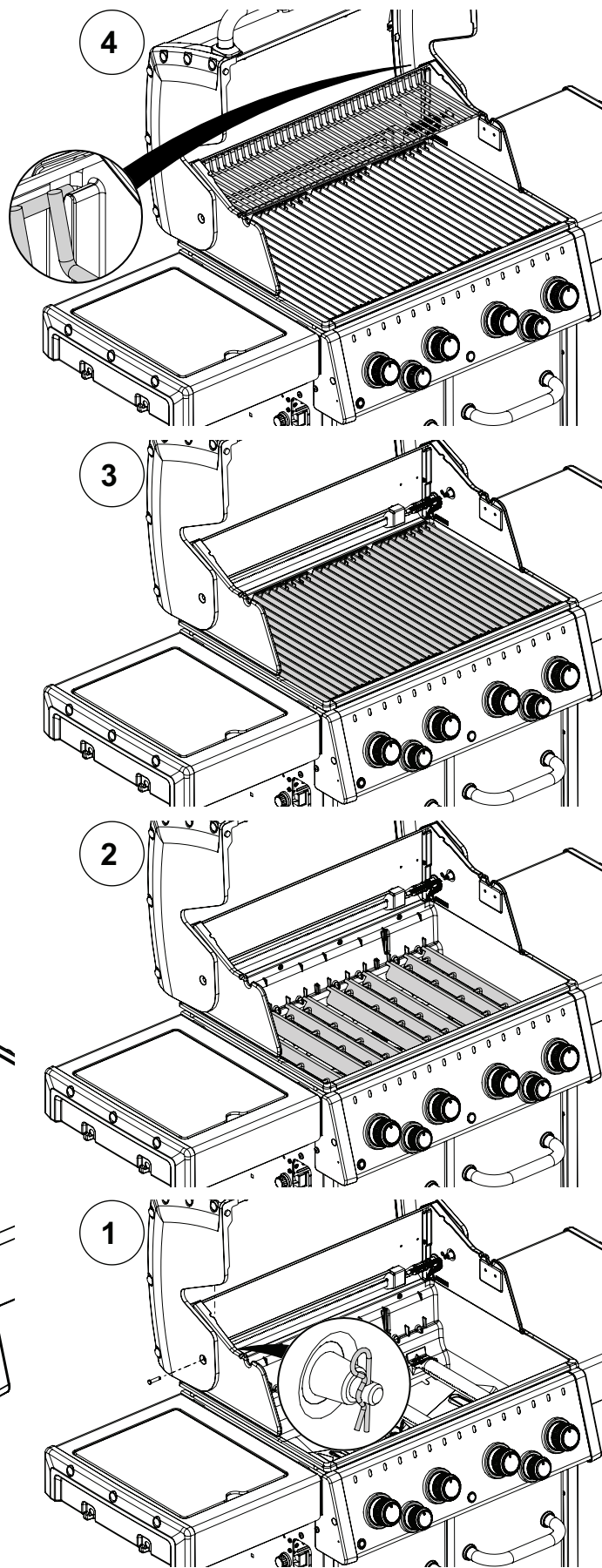
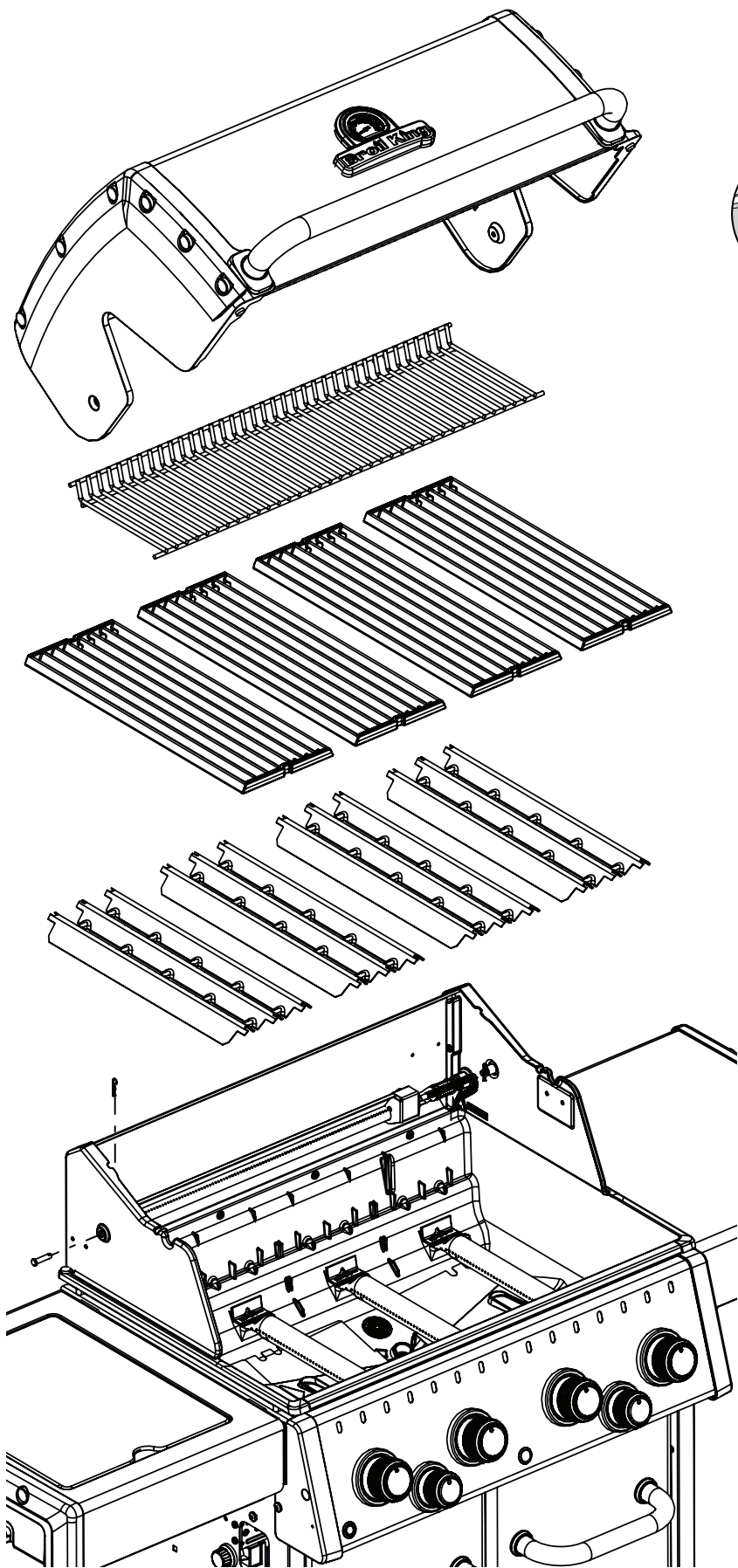
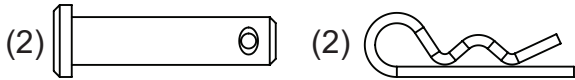
20

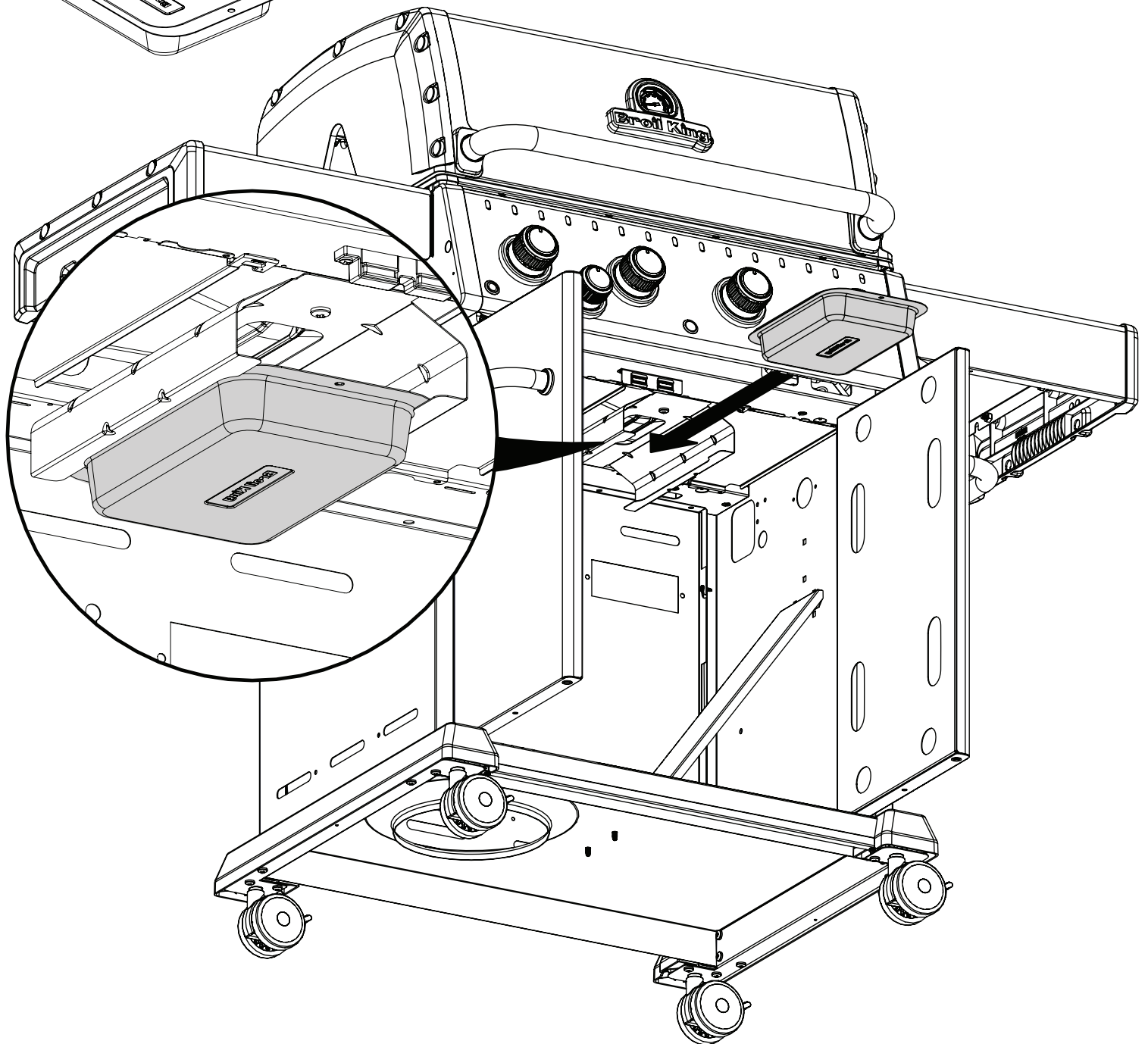
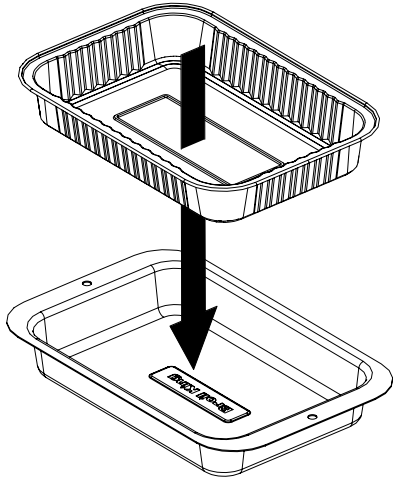


(1)

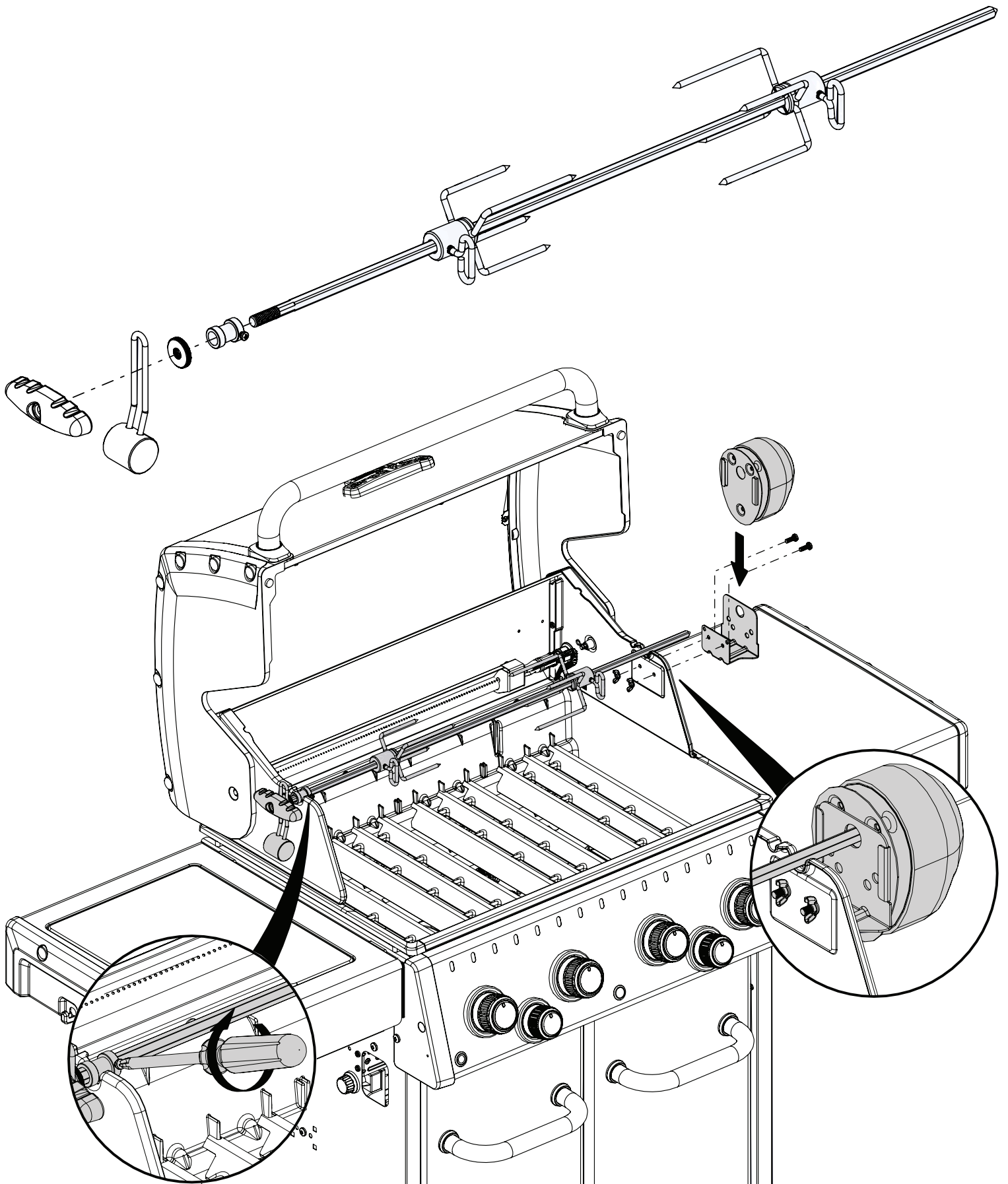


21

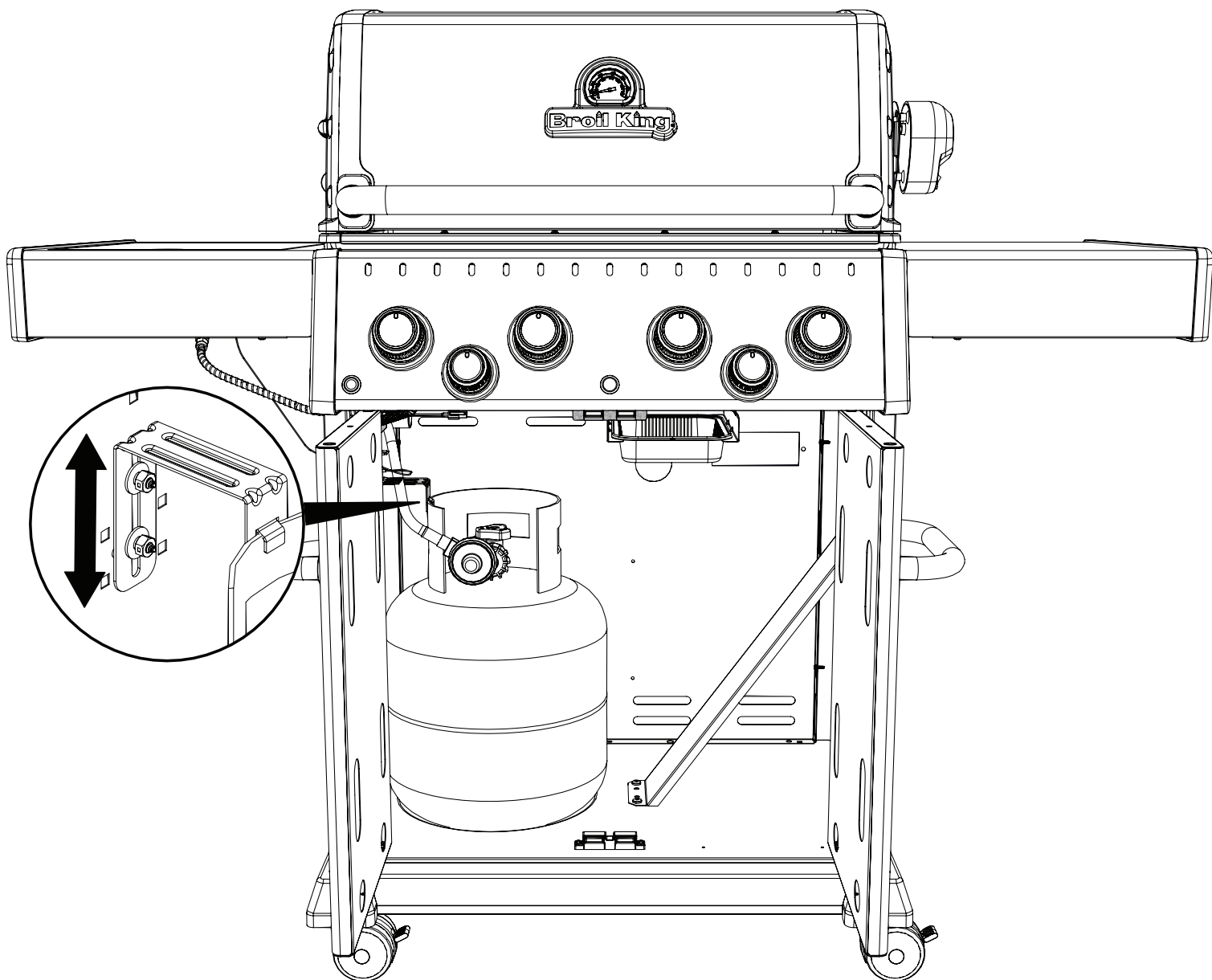
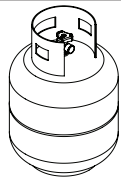




23



24



25

