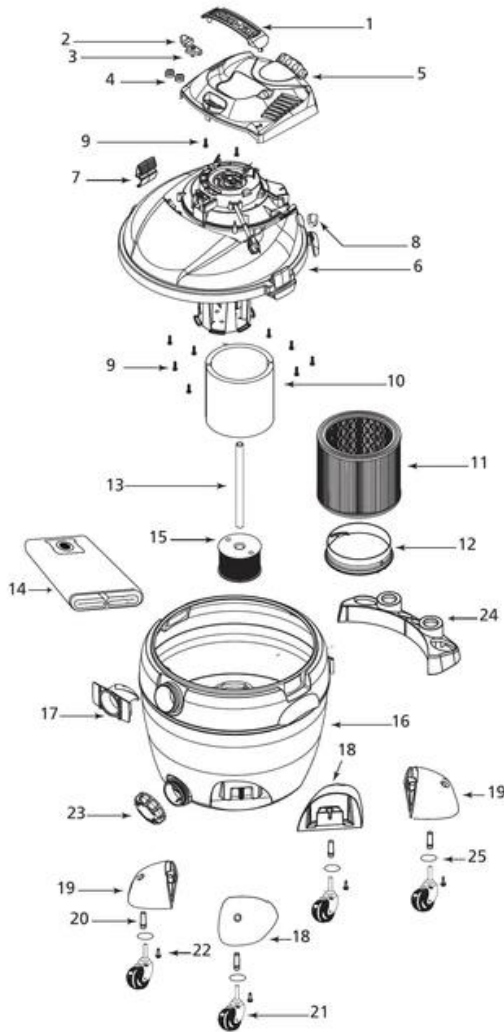


87P Series

Model 87P650C



ITEM	DESCRIPTION	PART NO.
1	Handle	3751010
2	Switch Button - I	7414201
3	Switch Button - O	7414211
4	Spring	2802899
5	Motor Cover (Includes 2-4)	1944113
6	Power Unit Assembly	1944233
7	Lid Latch	7444500
8	Outlet Fitting Cap	1945023
9	Screw 10 x 3/4" Trilobe, Twin Lead	1517699
10	Foam Sleeve	90585
11	Cartridge Filter	90304
12	Filter Retainer	3008000
13	Pick up Tube	2723112
14	Disposable Filter Bag	90663
15	Pick Up Cage Assembly	7412250
16	Tank Assembly	7365497
17	Inlet Deflector	7413120
18	Casterfoot A (Includes #20)	7431320
19	Casterfoot B (Includes #20)	7431370
20	Retainer	8565750
21	Caster	6773900
22	Screw 10 x 3/4" SL Hex Head	1503999
23	Drain Cover	7446804
24	Tool Holder	8411300
25	Flatwasher	0704399

* Replacement parts may differ from original equipment.