

This Owner's Manual is provided and hosted by [Appliance Factory Parts](#).



BEACON S5-022 Owner's Manual

[Shop genuine replacement parts for BEACON S5-022](#)



[Find Your BEACON Fire Pit Parts - Select From 1 Models](#)

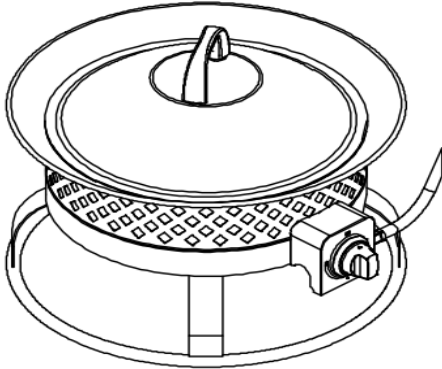
----- Manual continues below -----

OWNER'S MANUAL

▲ READ BEFORE USE!

Factory No.: PGF5820-2

Style No.: 68183



▲ WARNING

USE PROPANE GAS ONLY!

- Do not store or use gasoline or other flammable vapors in the vicinity of this or any other appliance.
- Service must be performed by a qualified installer, service agency or the gas supplier.

▲ WARNING

For use with cylinders marked PROPANE only. DO NOT connect to a remote gas supply.

If the firebowl is stored indoors, detach and leave propane cylinder outdoors.



Design certified under ANS Z21.97 • CSA 2.41-(2014)
Requirements for Outdoor Gas Fireplaces

▲ WARNING

For Outdoor Use Only! Use Propane Gas Only !

▲ Propane cylinders sold separately.

▲ WARNING

Improper installation, adjustment, alteration, service or maintenance can cause injury or property damage. Read the owner's manual thoroughly before installing or servicing this equipment. If the information in this manual is not followed exactly, a fire or explosion may result causing property damage, personal injury or loss of life.

▲ WARNING

The propane cylinder must be disconnected when this firebowl is not use.

▲ DANGER

If you smell gas:

1. Shut off gas to the appliance.
2. Extinguish any open flame.
3. If odor continues, keep away from the appliance and immediately call your gas supplier or fire department.

▲ WARNING

This firebowl must be attended at all times!

▲ WARNING

An LP-cylinder not connected for use shall not be stored in the vicinity of this or any other appliance.

▲ DANGER



CARBON MONOXIDE HAZARD

This appliance can produce carbon monoxide which has no odor.

Using it in an enclosed space can kill you.

Never use this appliance in an enclosed space such as a camper, tent, car or home.



DANGER

Failure to follow the Dangers, Warnings and Cautions contained in this Owner's Manual may result in serious bodily injury or death, or in a fire or an explosion causing damage to property.



WARNING

- *Do not use this firebowl for cooking.
 - *Do not burn any other materials than are supplied with and intended for use in this firebowl.
 - *Do not pour water into firebowl.
 - *The installation of this product must conform with local codes or, in the absence of local codes, with either the National Fuel Gas Code, ANSI Z223.1/NFPA 54, OR CAN/CGA-B149.1, National Gas and Propane Installation Code.
 - *Do not use this firebowl if any part has been under water.
 - *Do not store a spare or disconnected propane cylinder under or near this firebowl.
 - *After a period of storage, and/or non use, the propane firebowl should be checked for gas leaks and burner obstructions before use.
 - *Do not operate the propane firebowl if there is a gas leak present.
 - *Never use a flame to check for gas leaks.
 - *Combustible materials should never be within 72 inches of the top, back or sides of your propane firebowl.
 - *Do not put any other firebowl cover or anything flammable on, or beneath the firebowl.
 - *The propane firebowl should never be used by children. Children must be supervised when they are anywhere near the appliance.
 - *Users should be alerted to the hazards of high surface temperatures and keep a safe distance to avoid burning or clothing ignition.
 - *Pay attention when operating the firebowl. It is hot in use and should never be left unattended. Do not transit it while in operation.
 - *Should fire go out while burning, turn the gas valve off. Follow the instruction and wait five minutes before attempting to relight.
 - *Never use charcoal or any other solid fuel in the firebowl. Never parch clothing or other flammable materials on or near the firebowl.
 - *Never lean over the open firebowl or place hands or fingers on the upper portion of an operational unit.
 - *Keep ventilation openings in cylinder enclosure(FIREBOWL BODY) free and clear of debris.
-
- *Do not rest feet on the firebowl.
 - *Do not enlarge valve orifices or burner ports when cleaning the valve or burner.
 - *Cylinder supply system must be arranged for vapor withdrawal.
 - *Propane Tank used must include a collar to protect the cylinder valve.
 - *Never fill the cylinder beyond 80% full.
 - *Propane gas is not natural gas. Only use propane for this firebowl.
 - *The conversion or attempted use of natural gas in a propane unit or propane gas in a natural gas unit is dangerous.
 - *Do not use this firebowl on vehicles or boats. Always operate the appliance on flat ground outdoors.
 - *Keep any electrical supply cord and the fuel supply hose away from any heated surfaces.
 - *Do not use this firebowl unless all parts are in place.
-
- *The max inlet supply pressure "Max.gas supply 11 inch w.c. (2.74kPa).
 - *Use LP cylinders only with these required measurements: 12"(30.5cm) (diameter) x 18" (45.7 cm) (tall) with 20 lb. (9 kg.) capacity maximum.

FOR PROPANE GAS UNITS

- The gas pressure regulator provide with the propane fire bowl must be used.
- Do not attempt to disconnect the gas regulator or any gas fitting while your firebowl is in operation.
- A dented or rusty propane cylinder may be hazardous and should be checked by your gas supplier prior to use.
- Do not use a propane cylinder with a damaged valve and any other worn out parts.
- Transit and store the empty gas cylinders carefully and properly.

* If you see, smell or hear the hiss of escaping gas from the propane cylinder:

1. Turn off the gas supply and get away from the gas cylinder and the firebowl at once.
2. Do not attempt to correct the problem yourself.
3. Get to your gas supplier and/or the fire department for help.

Children and adults should be alerted to the hazards of high surface temperatures and should stay away to avoid burns or clothing ignition.

- Young children should be carefully supervised when they are in the area of the appliance.
- Clothing or other flammable materials should not be hung from the appliance, or placed on or near the appliance.
- Any guard or other protective device removed for servicing the appliance must be replaced prior to operating the appliance.
- Installation and repair should be done by a qualified service person. The appliance should be inspected before use and at least annually by a qualified service person. More frequent cleaning may be required as necessary. It is imperative that control compartment, burners and circulating air passageways of the appliance be kept clean.

Immediately call a qualified service technician to inspect the appliance and to replace any part of the control system and any gas control which has been under water.”

- Specific size and capacity of the cylinder to use used.
- A statement that the LP-gas supply cylinder to be used must be constructed and marked in accordance with the specifications for LP-gas cylinders of the U.S. Department of Transportation (DOT).
- Instructions to the effect that this appliance shall be used only outdoors in a well-ventilated space and shall not be used in a building, garage or any other enclosed area.
- How to disconnect a gas bottle
Turn OFF control knob and LP cylinder valve. Turn coupling nut counterclockwise by hand only - do not use tools to disconnect .Loosen cylinder screw beneath bottom shelf, then lift LP cylinder up and out of shelf. Place dust cap on cylinder valve outlet whenever the cylinder is not in use.
- Storage of an appliance indoors is permissible only if the cylinder is disconnected and removed from the appliance. Cylinders must be stored outdoors in a well-ventilated area out of reach of children. Disconnected cylinders must have threaded valve plugs tightly installed and must not be stored in a building, garage or any other enclosed area.

WARNING: Improper installation, adjustment, alteration, service or maintenance can cause injury or property damage. Refer to the owner’s information manual provided with this appliance. For assistance or additional information consult a qualified installer, service agency or the gas supplier.

The LP-gas supply cylinder must be disconnected when this appliance is not in use

Only cylinder marked “propane” shall be used.

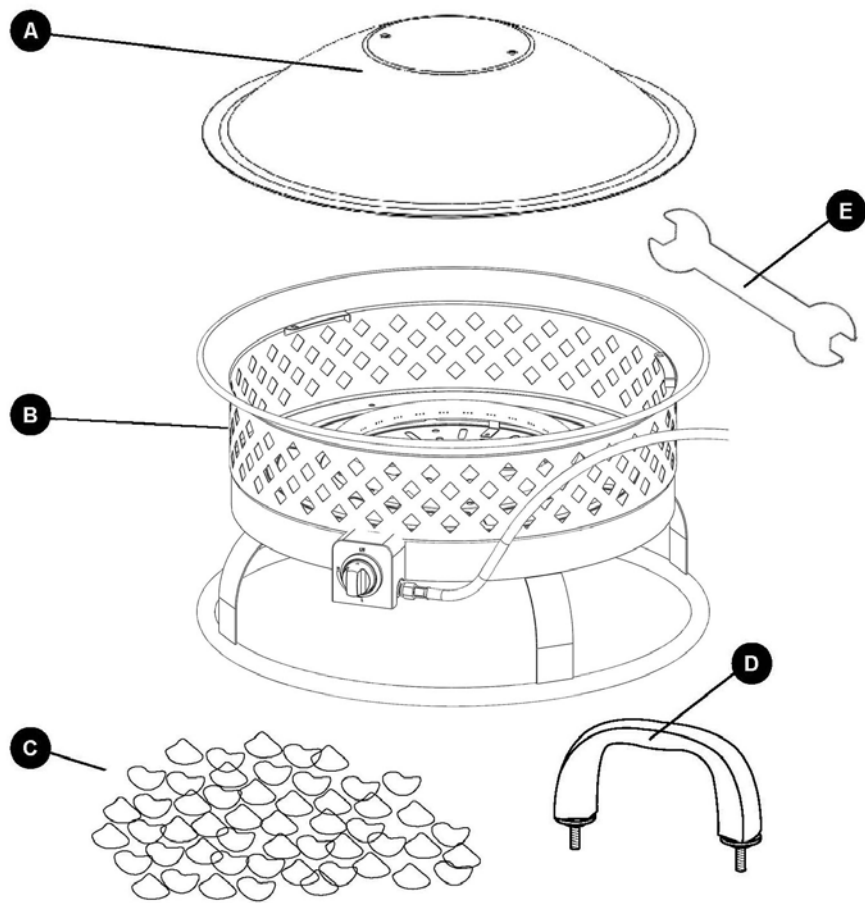
Caution:

Only use the pressure regulator and hose assembly supplied with this firebowl. Replacement pressure regulator and hose assemblies must be specified or supplied by BOND MANUFACTURING CO.

WARNING !

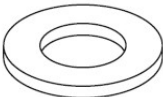

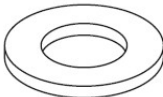
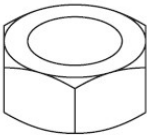
* Do not light or use gas unit if lava rocks or pumice stone are wet. Ensure lava rocks or pumice stone are completely dry before igniting as intense heat could cause the rock to crack.
* Lava Rocks or Pumice stone could hit somebody's face or eyes during initial start of this unit , so please keep away from the firebowl for the first 20 minutes after it has been ignited.

Accessories



| PART | DESCRIPTION | QTY |
|------|---------------|-------|
| A | Lid | 1PC |
| B | Body | 1PC |
| C | Pumice stones | 1 BAG |
| D | Handle | 1PC |
| E | Wrench | 1PC |

HARDWARE CONTENTS

| | | | |
|---|---|---|---|
| AA | BB | CC | DD |
|  |  |  |  |
| Cushion | Spring Washer | Flat Washer | M6 Nut |
| Qty. 2 | Qty. 2 | Qty. 2 | Qty. 2 |

ASSEMBLY INSTRUCTIONS

* Please keep these owner's manual for future reference.

* Before beginning assembly of product, make sure all parts are present. Compare parts with package contents list. If any part is missing or damaged, do not attempt to assemble the product.

Estimated Assembly Time: 5 minutes

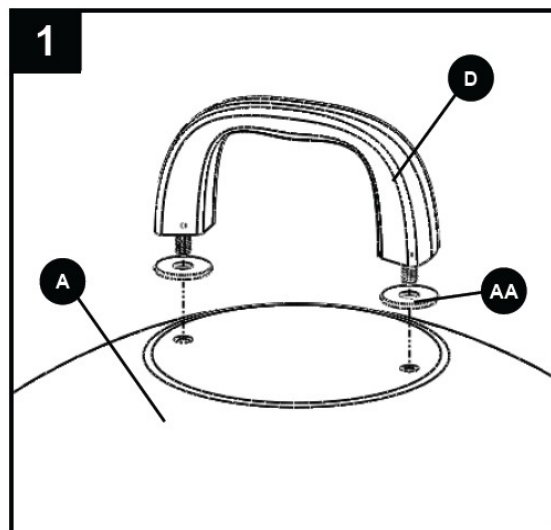
Tools Required for Assembly (included): Wrench

NOTE: You must follow all steps to properly assemble the firepit. Make sure the gas valve is turned "OFF" before assembling. Do NOT attempt to assemble without proper tools.

1. Place cushions (AA) onto threaded part of handle (D). Insert handle (D) into holes on top of the lid (A).

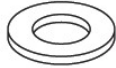

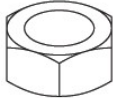
Hardware Used

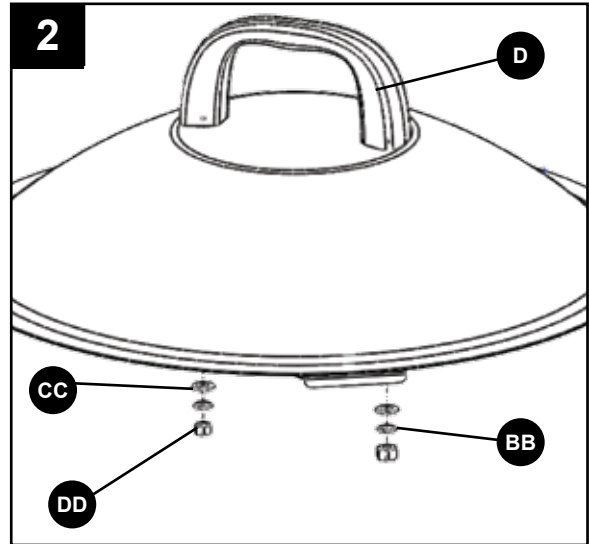
| | | | |
|-----------|---------|---|-----|
| AA | Cushion |  | x 2 |
|-----------|---------|---|-----|



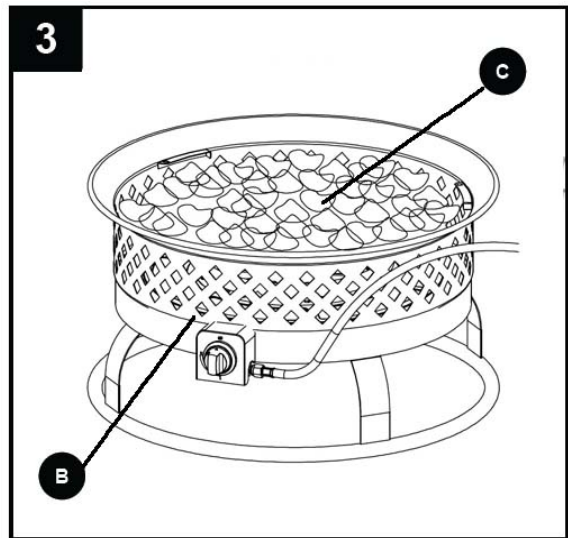
2. From underside of lid (A), place spring washer (BB) and then flat washer (CC) onto threaded part of handle (D). Secure with M6 nut (DD), tightening with wrench (E).

Hardware Used

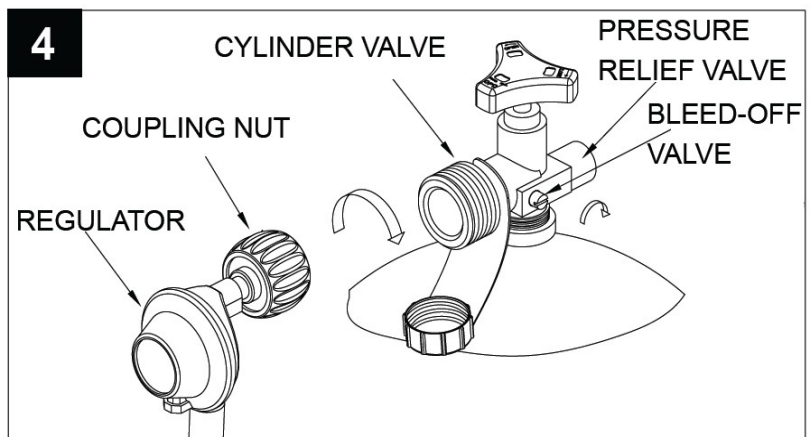
| | | | |
|-----------|---------------|---|-----|
| BB | Spring Washer |  | x 2 |
| CC | Flat Washer |  | x 2 |
| DD | M6 Nut |  | x 2 |



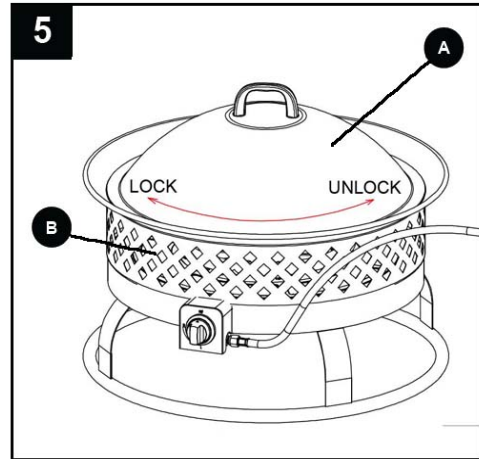
3. Place pumice stones (C) into body (B).



4. This item requires a 20 lb. propane tank (not included) in order to operate correctly. To install the tank to the body (B), first turn the cylinder valve on the tank clockwise to close the gas supply on the gas cylinder. Then, screw the regulator coupling from inside the body (B) onto the valve clockwise by hand only. Make sure it is fastened.



5. Cover body (B) with lid (A). To lock in place, turn clockwise. To unlock, turn counterclockwise.



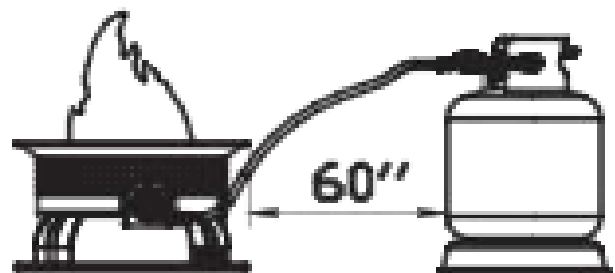
OPERATING INSTRUCTIONS

Perform leak test in a well-ventilated area outside and where no source of spark can occur. **DO NOT** cover firepit directly after flame is out. Wait 5 minutes for firepit to cool prior to placing lid on firepit. Connect tank cylinder to regulator. Turn the on/off valve at the unit to the 'OFF' position to pressurize the control system. Use a soapy water solution to check all the connection leaks before attempting to light the appliance.

If a leak is found or you smell gas, disconnect cylinder and turn valve off and do not use the appliance until repairs can be made.

Lid must be removed when burner is in operation.

Firebowl and propane gas cylinder minimum distance must be over 60" (as per the right side photo)



TO LIGHT

1. Control knob must be in the "OFF" position.
2. Connect propane cylinder, open cylinder valve.
3. Push in knob in fully and rotate about 1/4 turn "counter clockwise" until a click is heard.
4. If ignition does not occur, repeat step 3 in rapid succession for no more than 5 seconds or until burner ignites.
If ignition still does not occur, immediately turn the burner control off, wait 5 minutes for the gas to clear and repeat lighting procedure.
5. After burner ignites, adjust flame to desired flame with the control knob.



Observe flame height when lit:
Flame should possibly be a yellow/blue color between
2 to 10 inches high.

TO EXTINGUISH

1. Turn and push the control knob clockwise to the OFF position.
2. Close cylinder valve, disconnect propane cylinder.

CAUTION: Disconnect Propane cylinder when this appliance is not use.

ROUTINE CARE

- ※ Keep your firebowl free and clear from combustible materials.
- ※ Visually inspect burner from obstructions, keep firebowl free and clear from debris.
- ※ After the burner and lava rocks or pumice stones are completely cooled down, use a soft brush to get rid of the mild stains, loose dirt and soil. Wipe with a soft cloth.

STUBBORN STAINS

- ※ Stubborn stains, discoloration and possibly rust pitting can occur from exposure to harsh outdoor conditions.
- ※ Be careful not let any powder or solvent come in contact with painted or plastic components as damage may occur.

MAINTENANCE

- ※ Store the firebowl in a cool dry place away from direct sunlight.
- ※ The propane cylinder must be disconnected and removed from the firebowl before the appliance can be stored indoors.
- ※ Use Manufacturer approved or supplied replacement parts and accessories only. Otherwise may void the warranty of this product and result in a hazardous condition.
- ※ Please contact the Manufacturer for information regarding replacement hoses, ignitors, lava rocks or pumice stone, etc.

IF YOU HAVE QUESTIONS OR CONCERNS
PLEASE CALL BOND TOLL FREE #
1-866-771-BOND(2663) OR TO BETTER
EXPEDITE YOUR REQUEST FEEL FREE TO EMAIL US
customer.service@bondmfg.com
OR LOG IN TO OUR WEBSITE UNDER CUSTOMER SERVICE SUPPORT
www.bondmfg.com
BOND MANUFACTURING CO.
1700 West 4th Street Antioch, CA 94509 USA