

This Owner's Manual is provided and hosted by [Appliance Factory Parts](#).



Broil King 9221-14 Owner's Manual

[Shop genuine replacement parts for Broil King 9221-14](#)

Broil King®

[Find Your Broil King Grill Parts - Select From 1350 Models](#)

----- Manual continues below part list -----

Available Replacement Parts for Broil King 9221-14

25070-93	IGNITOR BUTTON & WIRE IR SS +
18631	OEM BURNER - BARON
53139-988	BRACKET SHELF SUPPORT
53150-614	SHELF ASSY BARON RHS SS
10114-16	HOSE & REG ASSY 17 INCH LP +

Broil King®

ASSEMBLY MANUAL & PARTS LIST • MANUEL DE MONTAGE & LISTE DE PIÈCES • MANUAL DE ARMADO Y LISTA DE PARTES



BARON S490
9225-84
9225-87



BARON 490
9221-84
9221-87



BARON S440
9225-64
9225-67



BARON 440
9221-64
9221-67



BARON S420
9225-54
9225-57
9225-14
9225-17



BARON 420
9221-54
9221-57
9221-14
9221-17

RETAIN FOR FUTURE REFERENCE • VEUILLEZ CONSERVER POUR REFERENCE ULTERIEURE • CONSERVER PARA FUTURAS CONSULTAS



SINCE 1906

MANUFACTURING COMPANY

1000 EAST MARKET STREET
HUNTINGTON, INDIANA, 46750, USA

1-800-265-2150

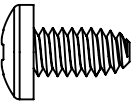
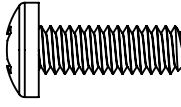
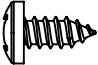
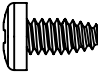
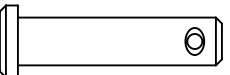
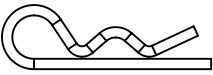
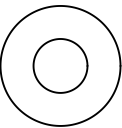
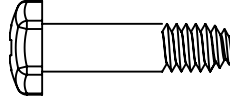
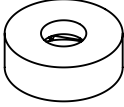
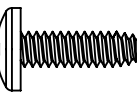

info@omcbbq.com

50084-S48 Rev D 10/17

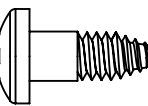
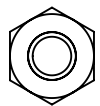
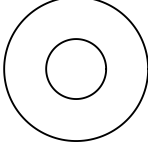


PCEÜÖY CEÜÖÁP ÔŠWÖÖÄÄT CEÜÖÜÖŠÁP ÔŠWÜÄÄÜWÜUÜÄP ÔŠWÖÜ

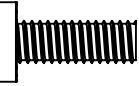
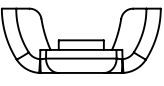


YËGÎÍ  ϕF	YËGF€  $\phi \acute{A}$	ÜGFFG  ϕi
YËGHEI  ϕG	ÜGFGHÍ  ϕG	ÜGFGHH  ϕG
YËGÍÍ  ϕl	YËFÍÍ F  ϕG	YËFGG  ϕG
ÜHÍ €J  ϕF	G€€€Í €€€€  ϕF	

- &&! , (ž- &&%, (ž- &&!)* (ž- &&%* (ž- &&!) (ž- &&%) (

YËFÍÍÍ  ϕG	YËFÍÍÍ  ϕG	ÜGFGÍ  ϕG
---	---	---

- &&! , (#, +ž- &&%, (#, +

ÜHÍ €J  ϕG	ÜGF€Í F  ϕG
---	--

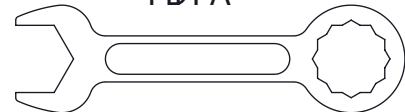
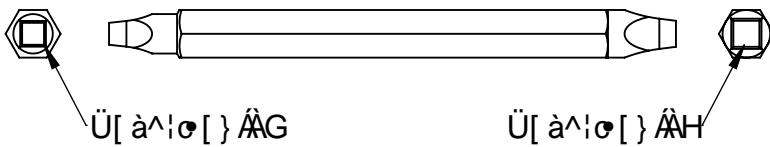


VUUŠÜÄÜÖÜWÜÖÖÄÜWÜŠÜÄP ÖÖÜÜCEÜÖÜÄÄP ÖÜÜCEÜÖP VCEÜÄP ÖÖÜÜCEÜÖÜ

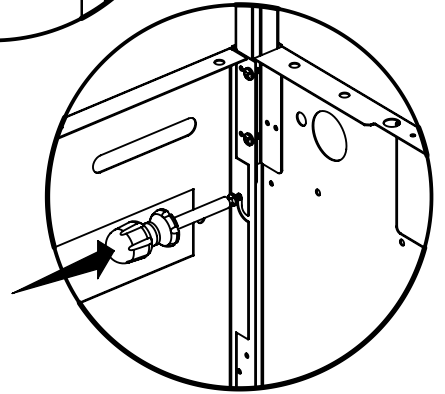
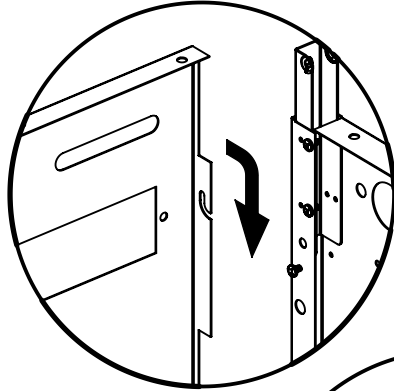
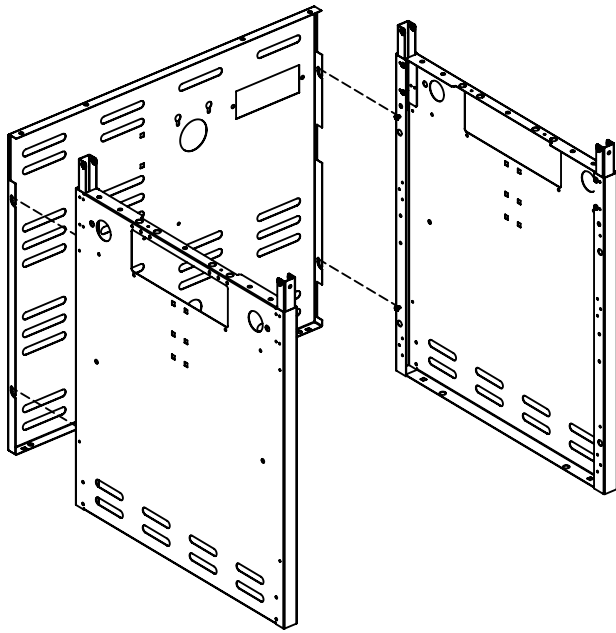


YËFGGH

Ï ÆÍ Ä

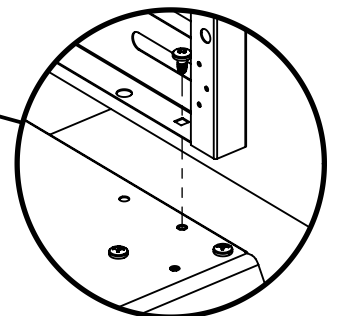
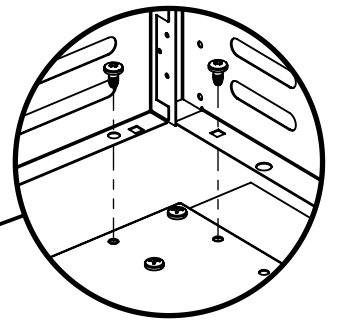
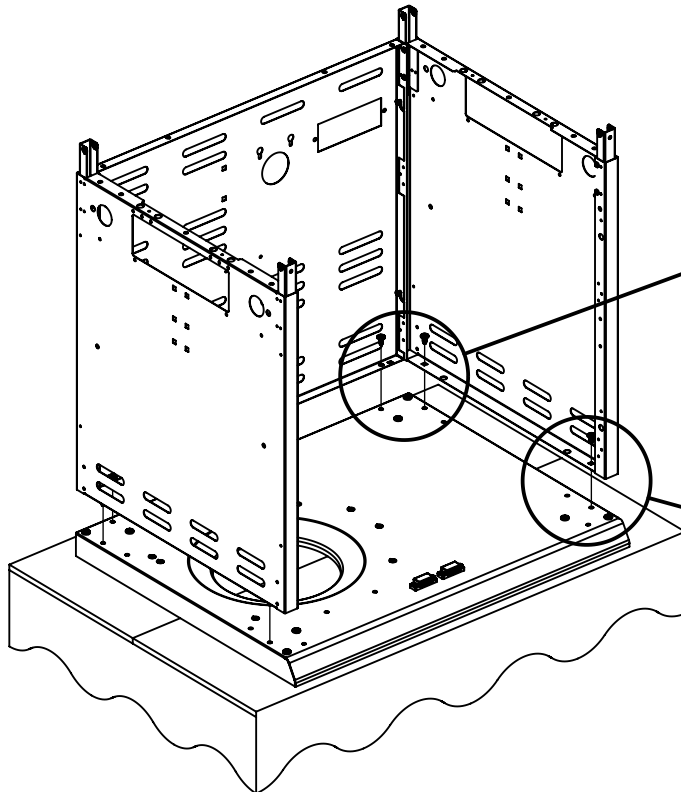
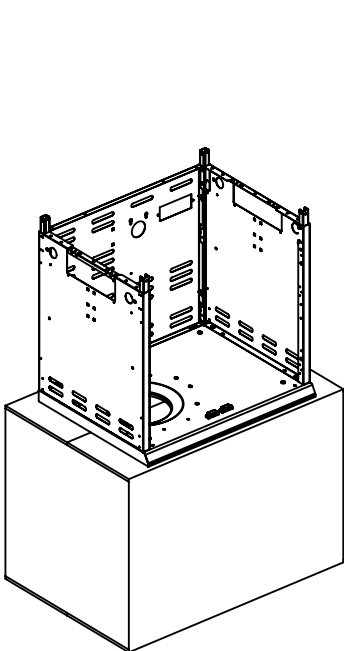
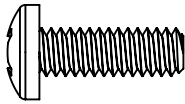


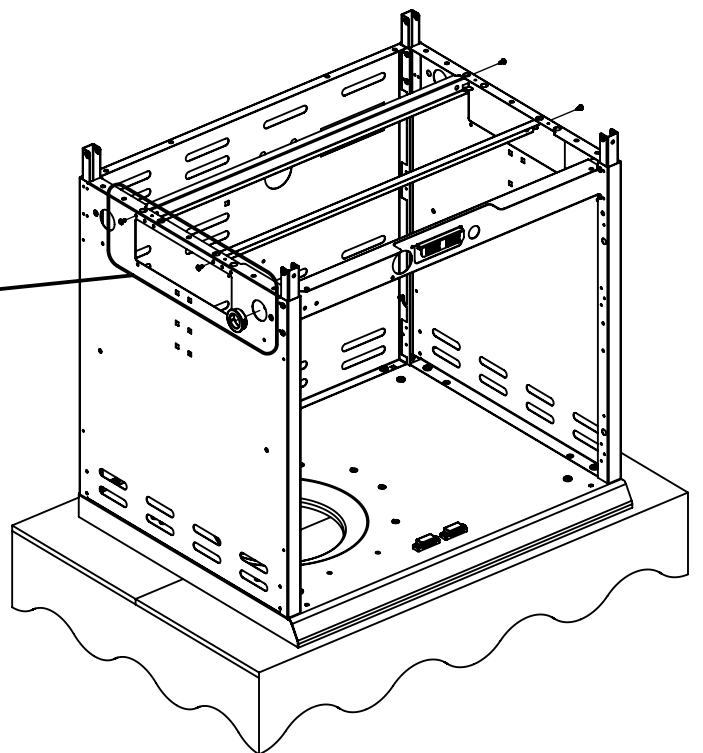
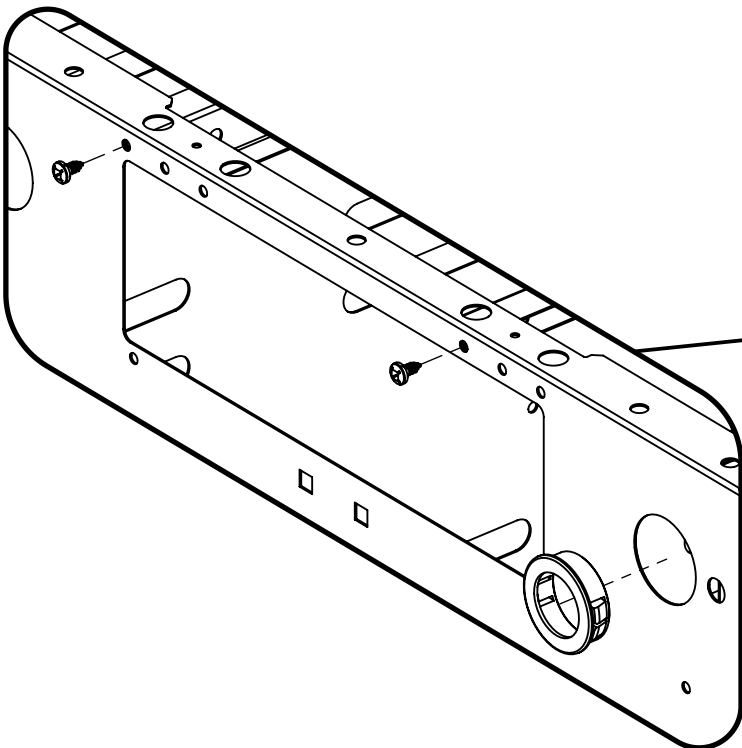
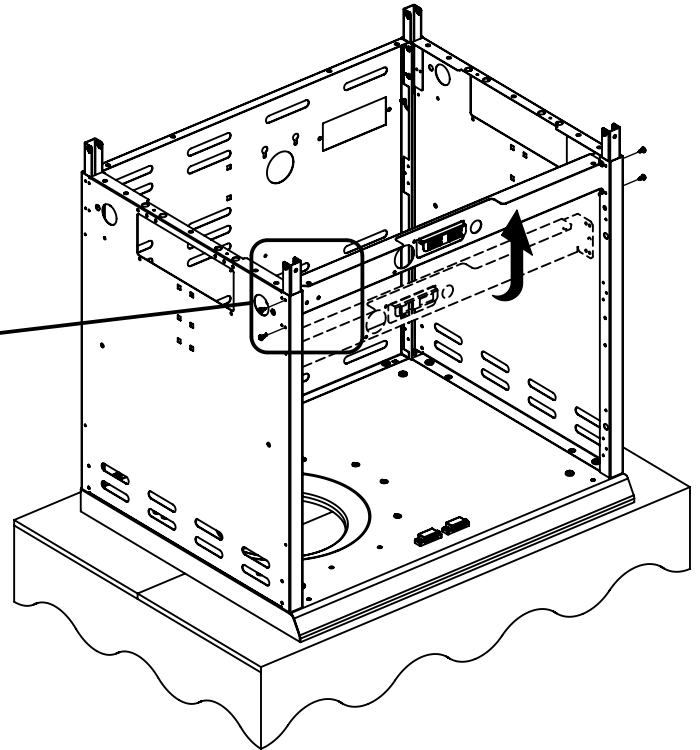
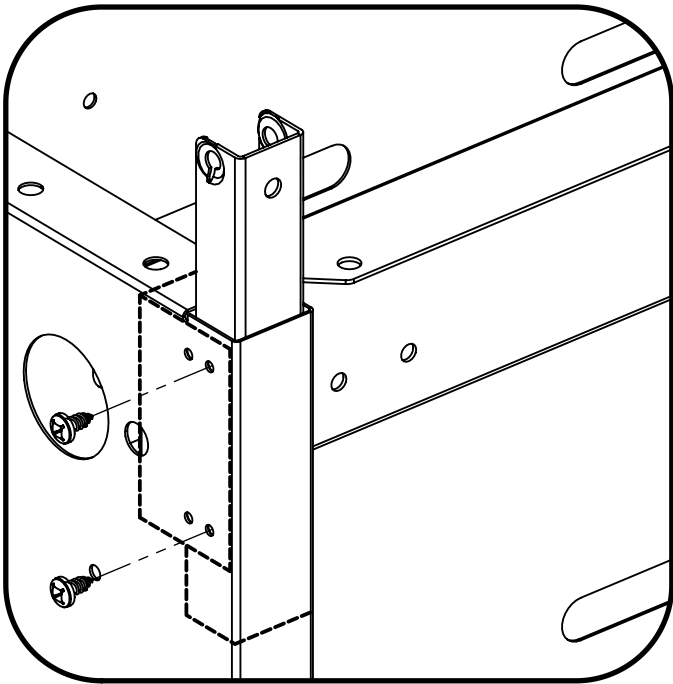
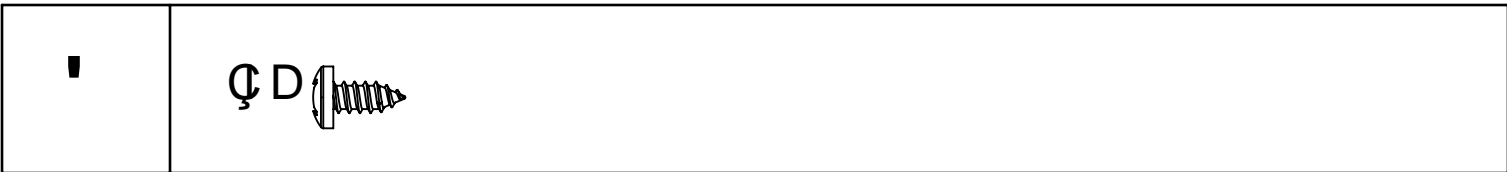
%

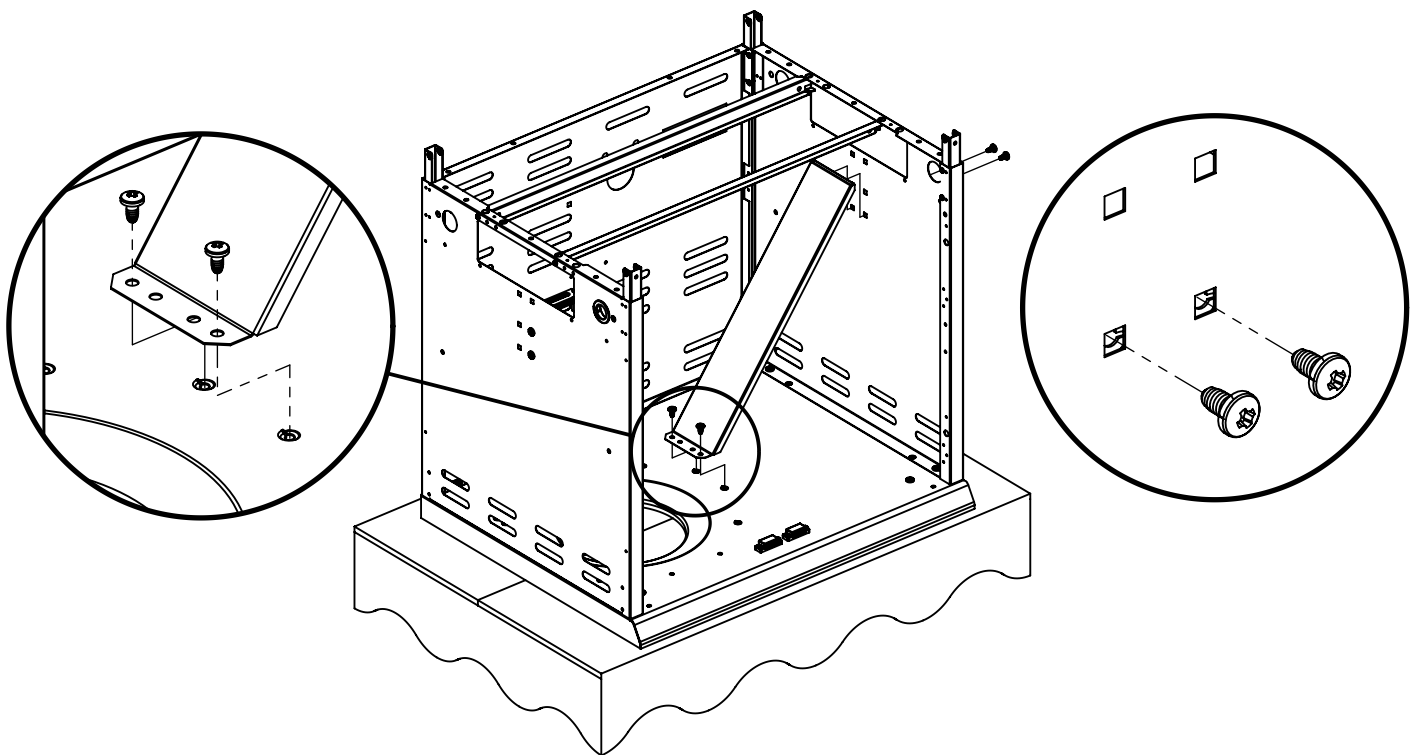
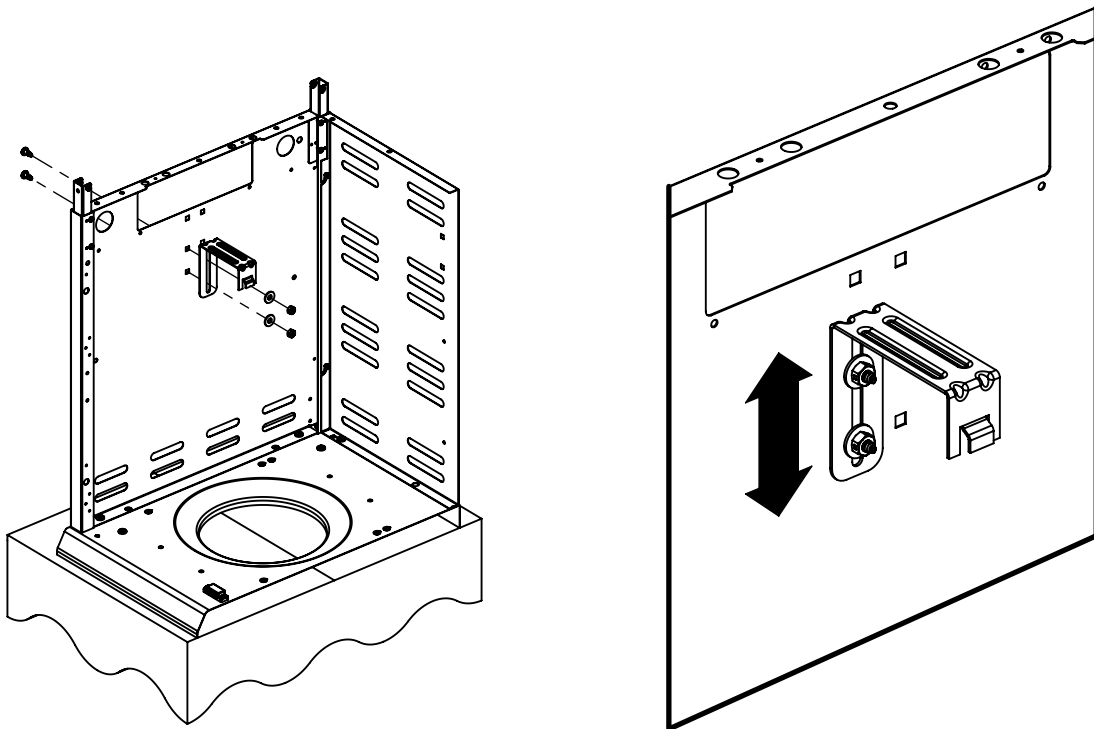
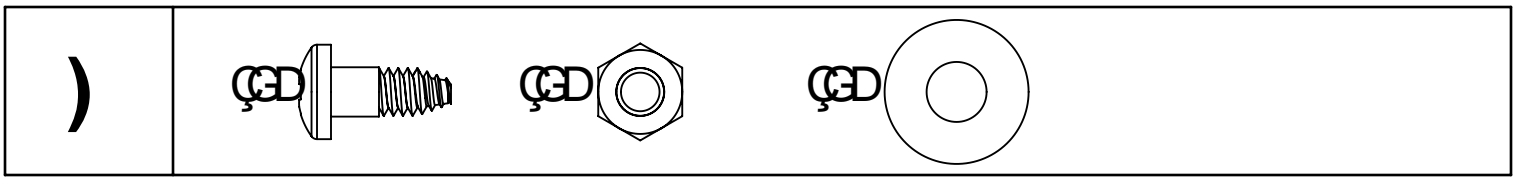


&

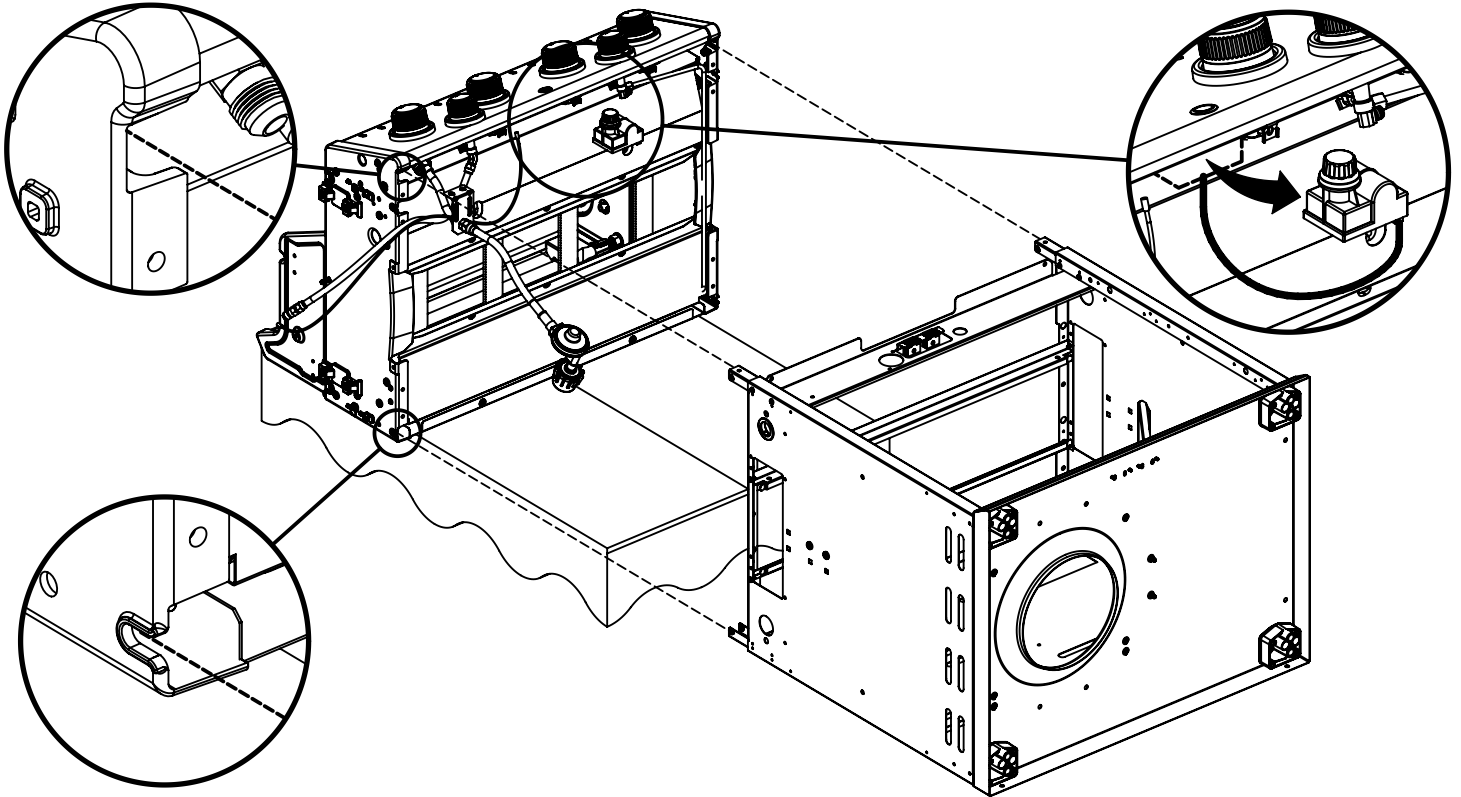
⌀ D



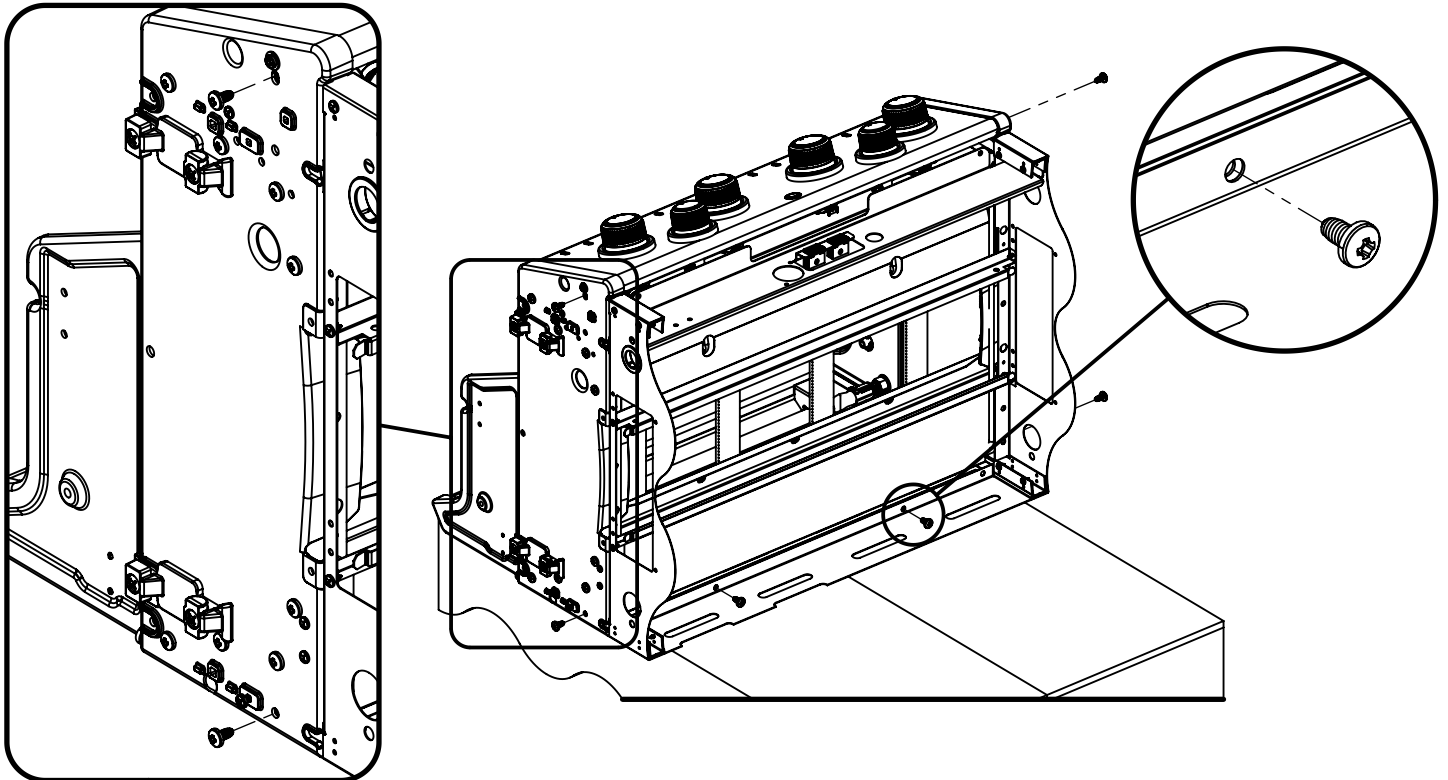


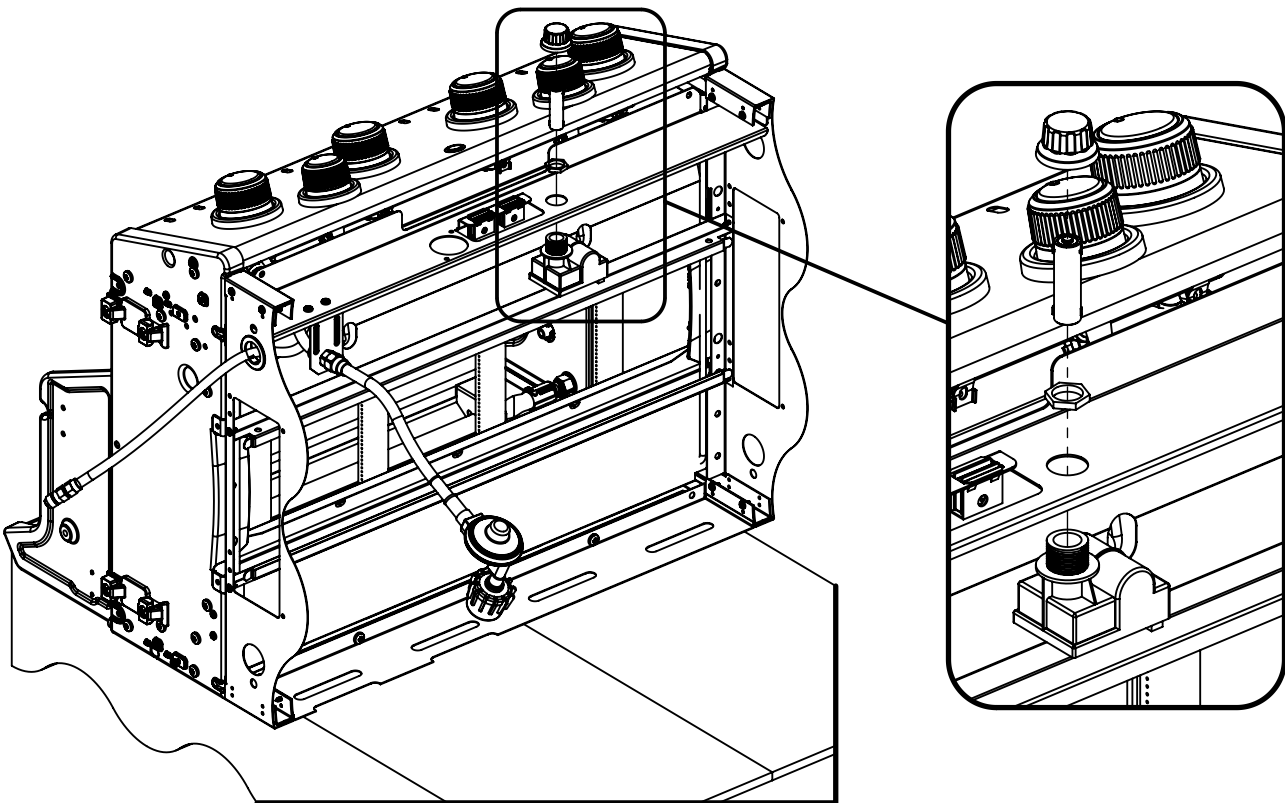
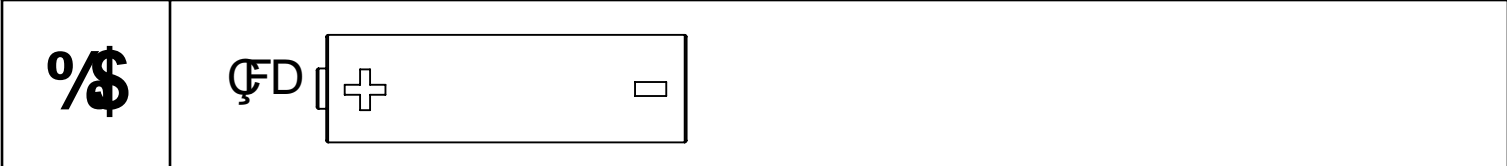
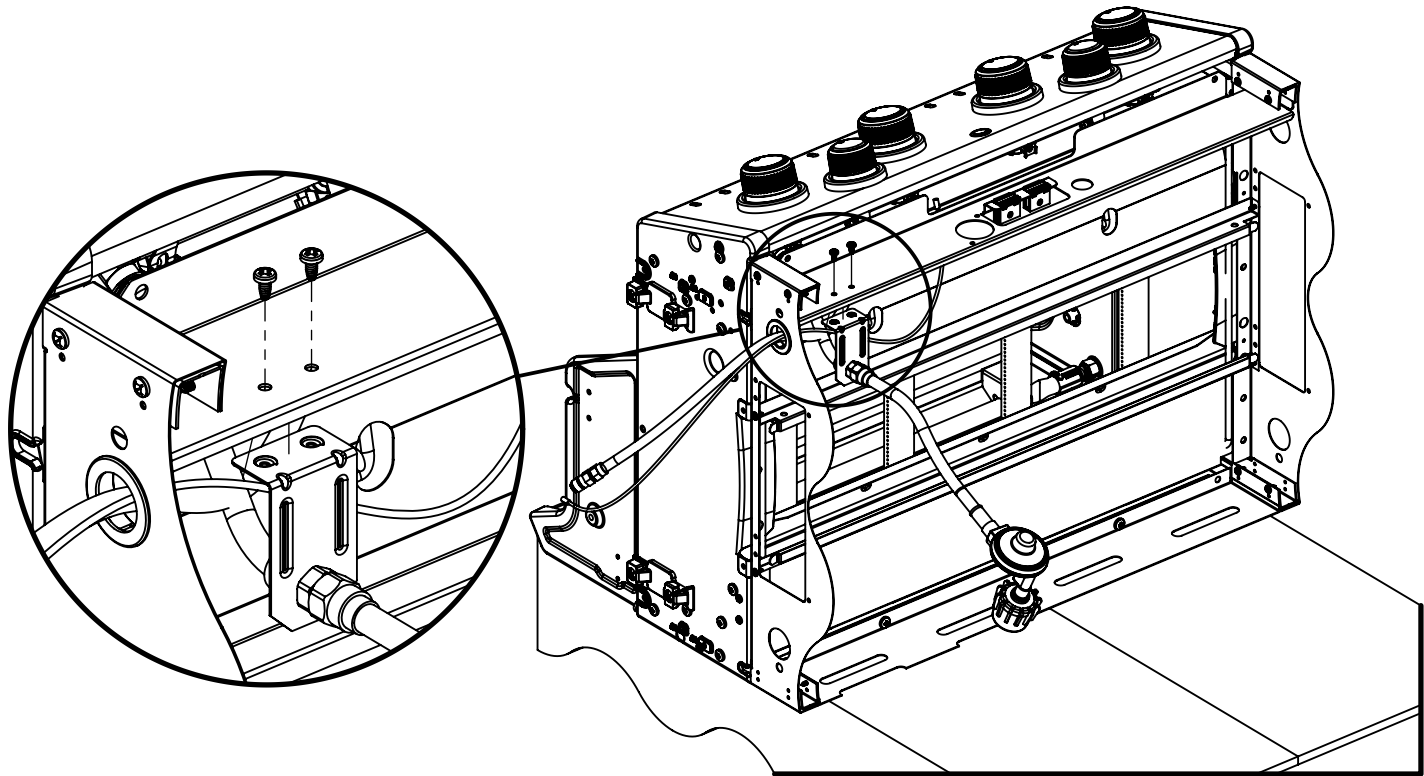
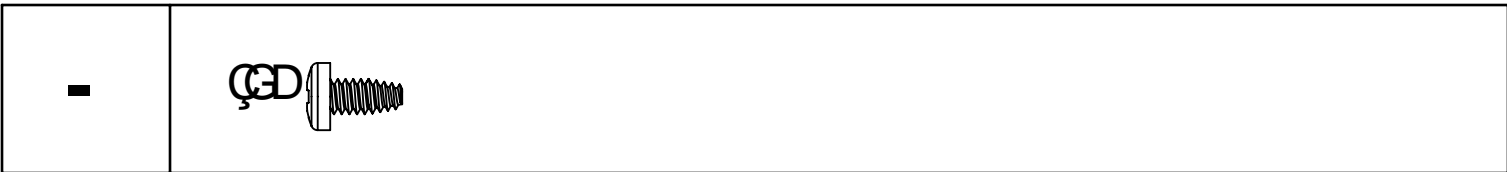


+

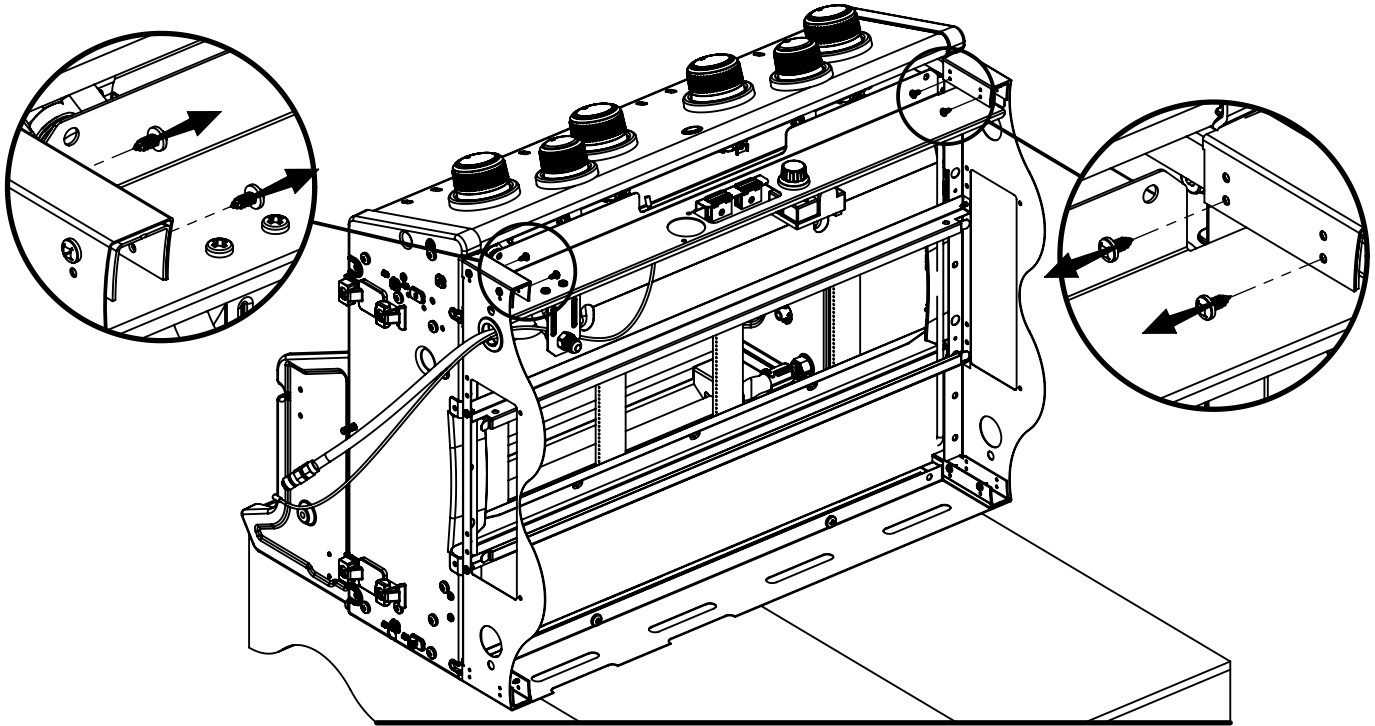


, 

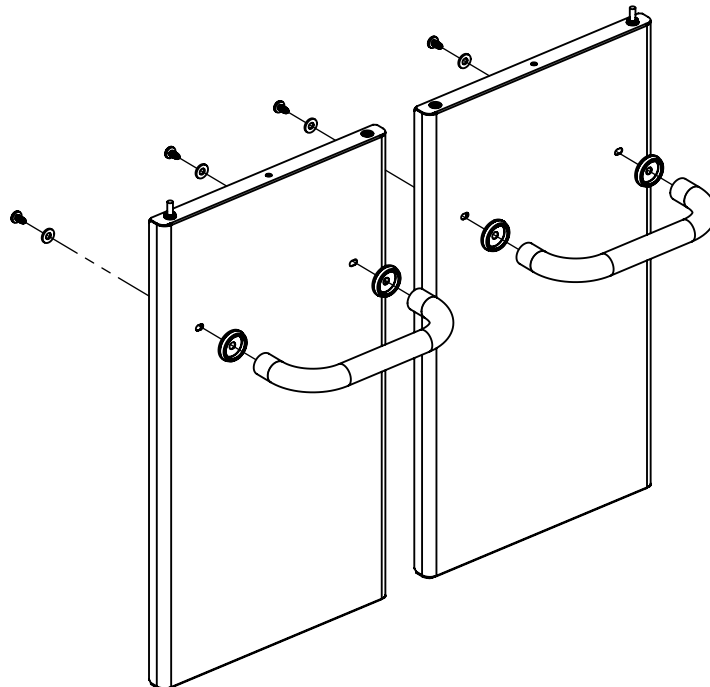
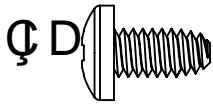


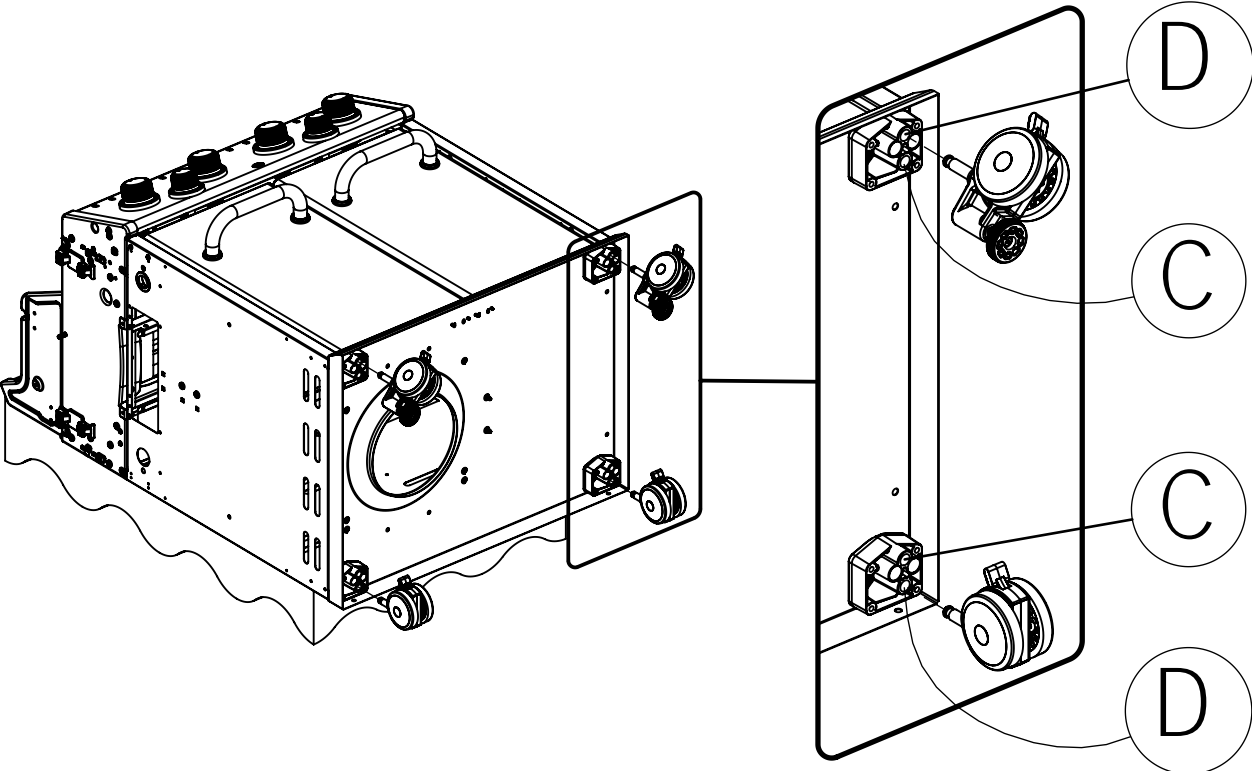
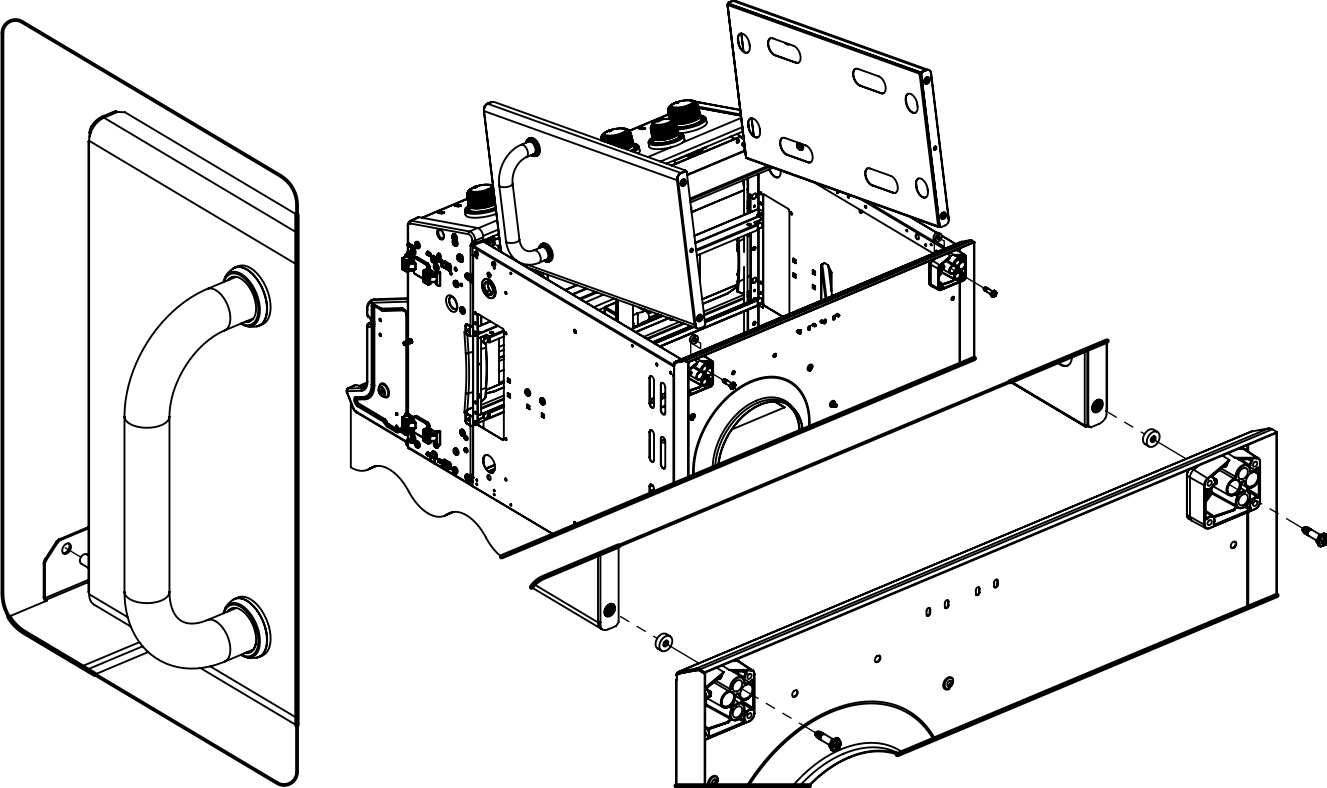
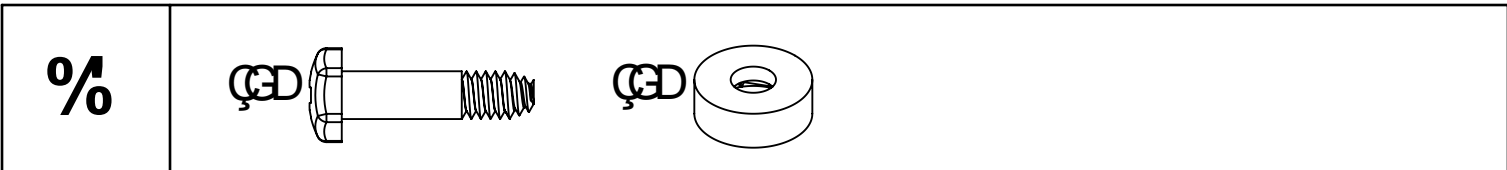


%%

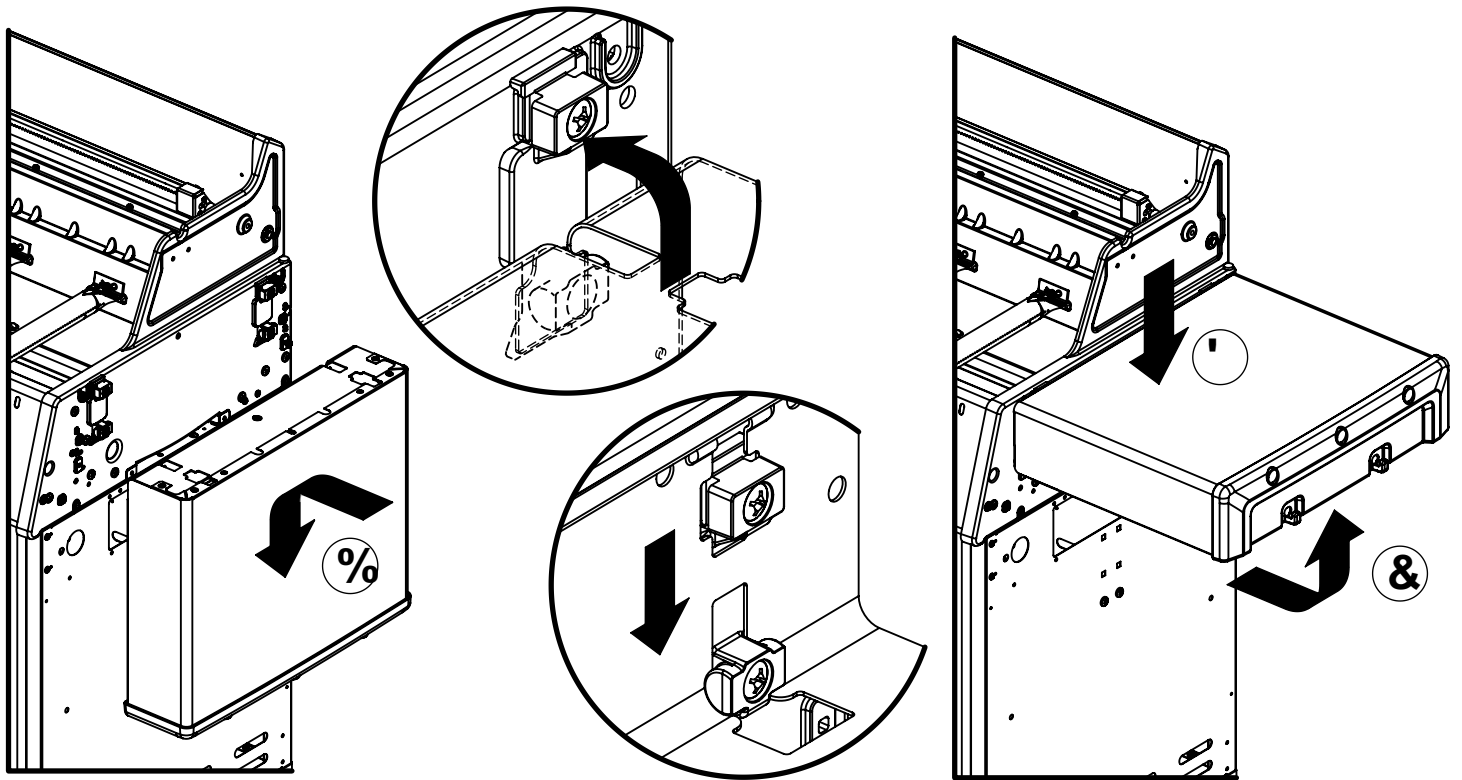


%&

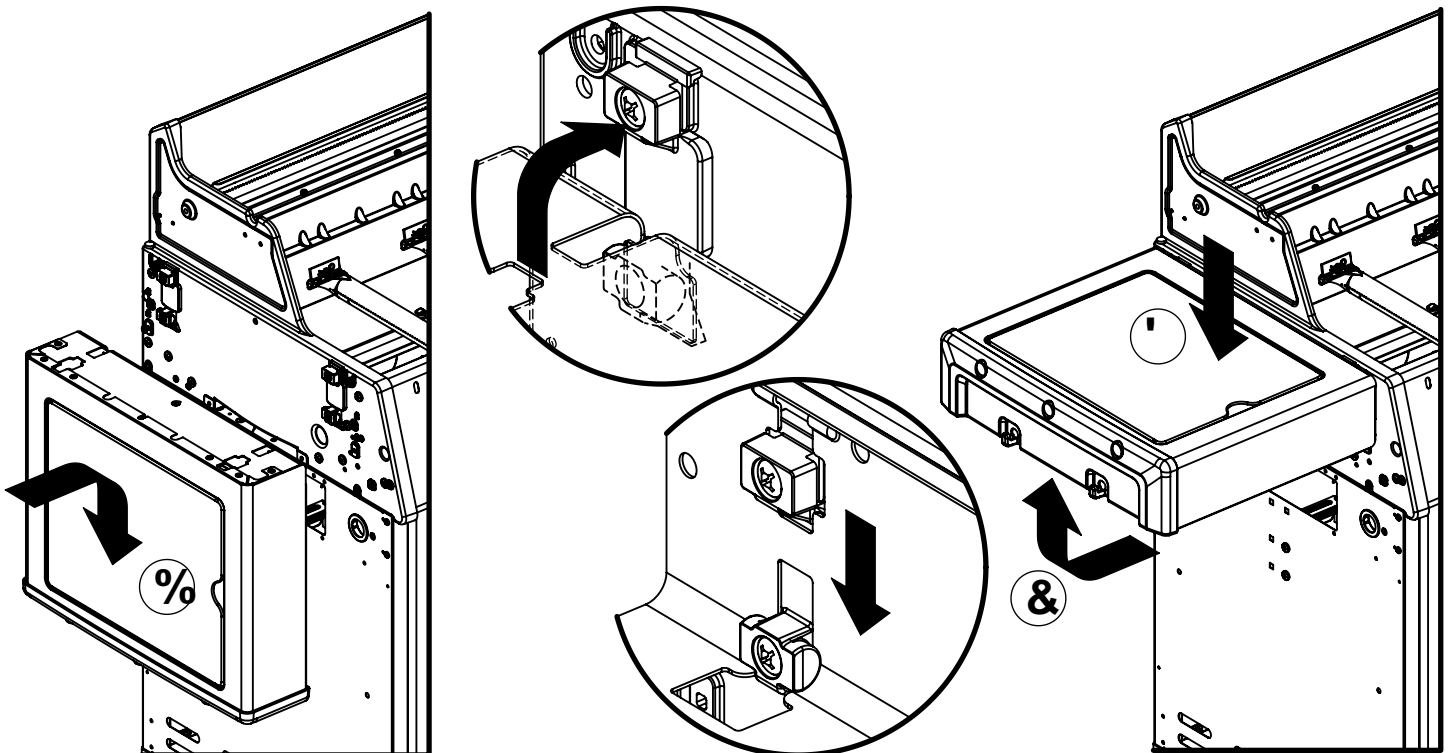


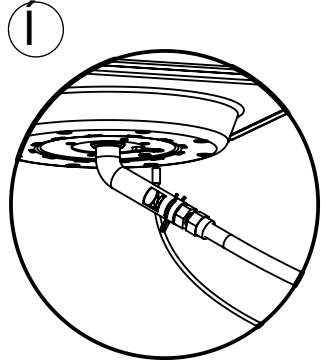
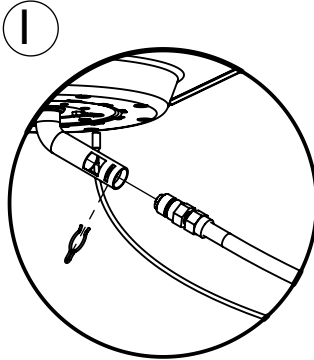
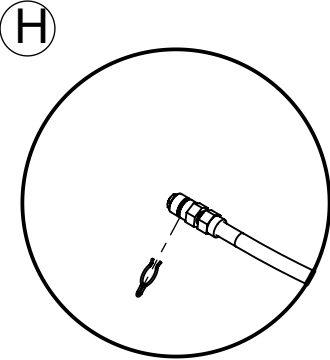
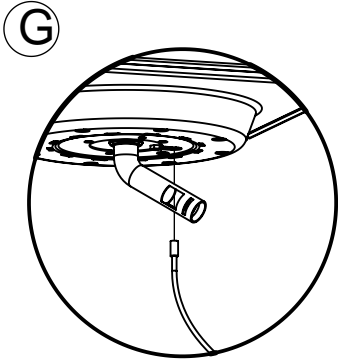
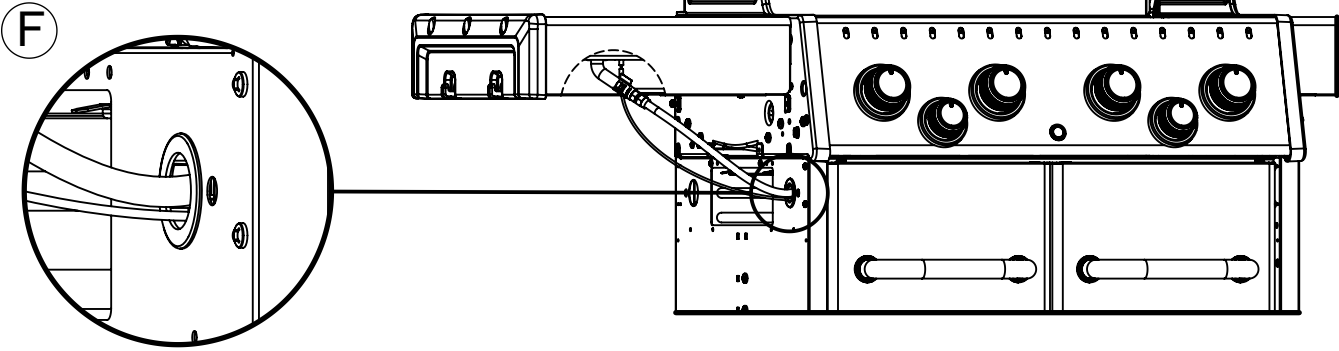
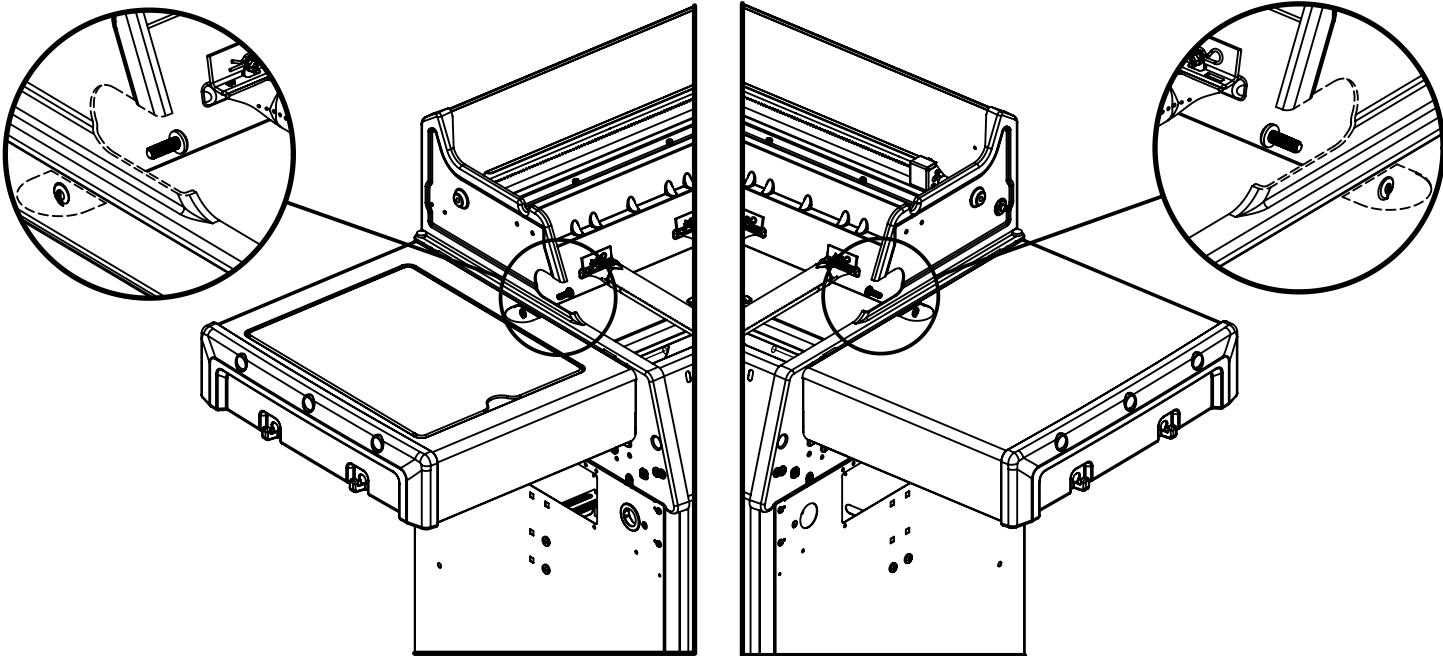


%

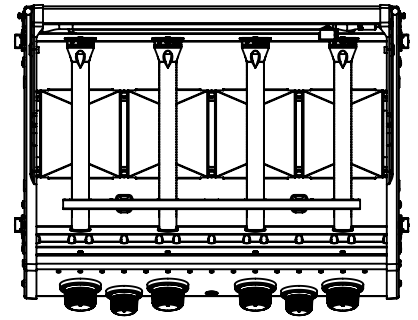
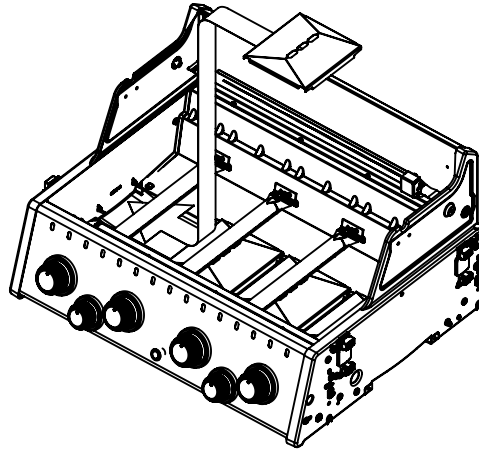
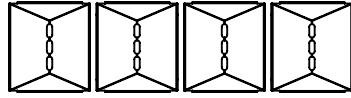
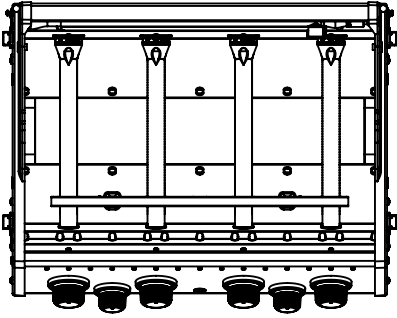


%*

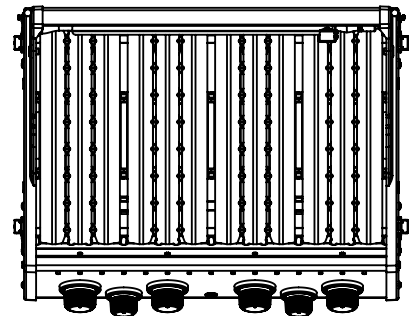
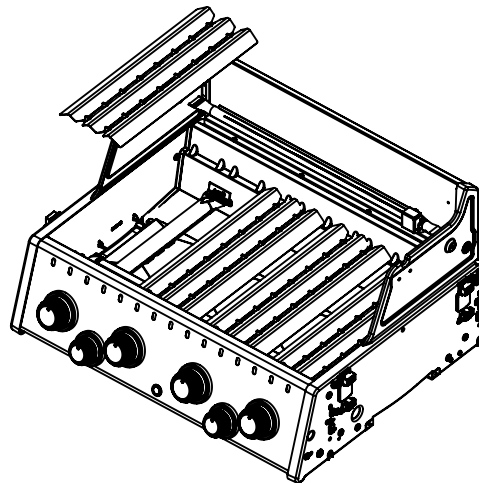
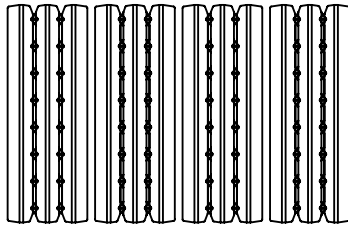
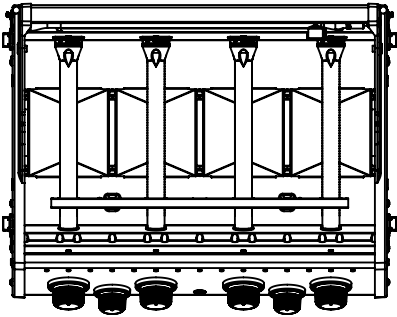




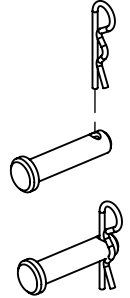
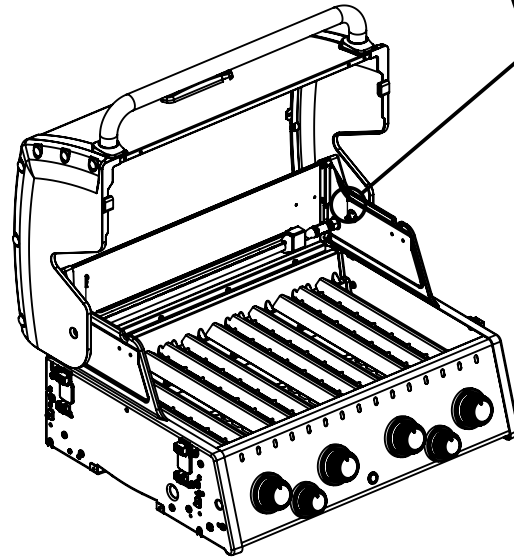
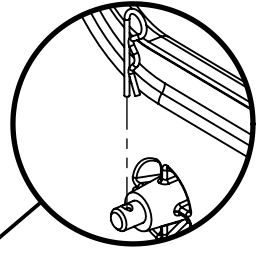
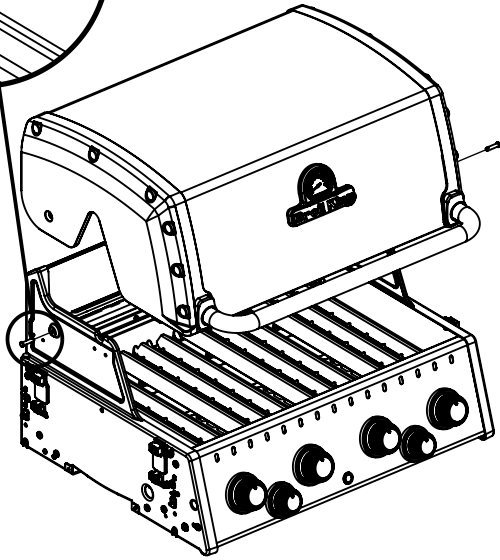
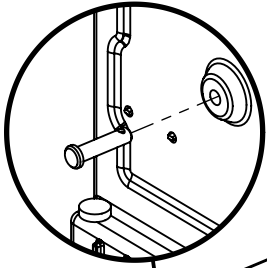
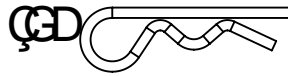
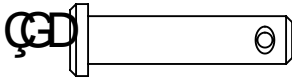
%



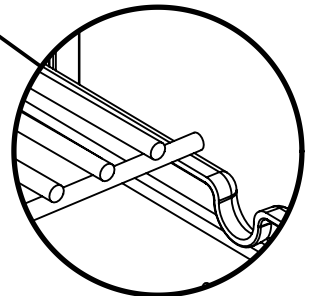
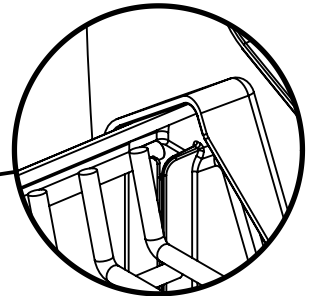
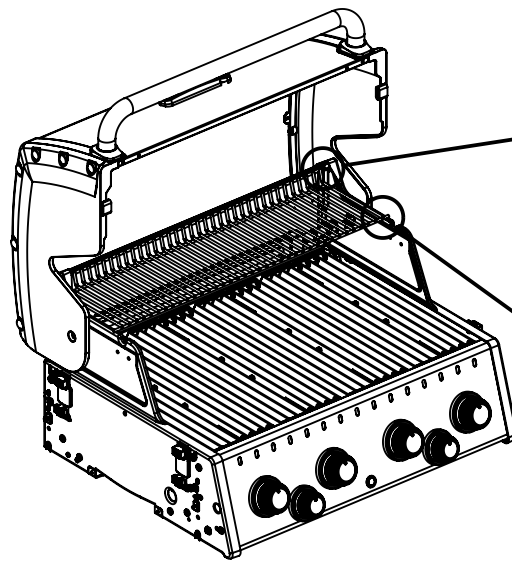
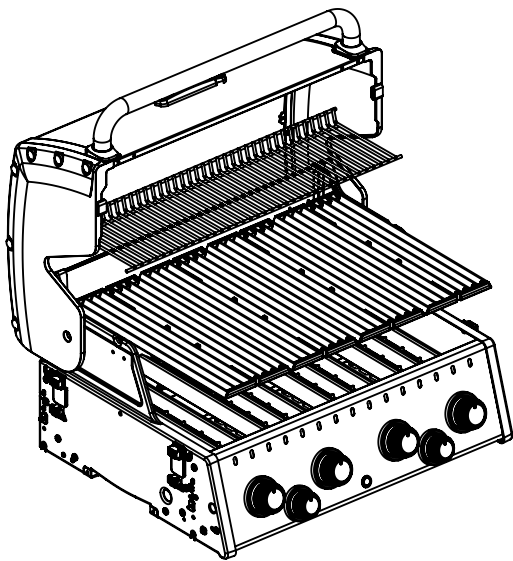
&\$

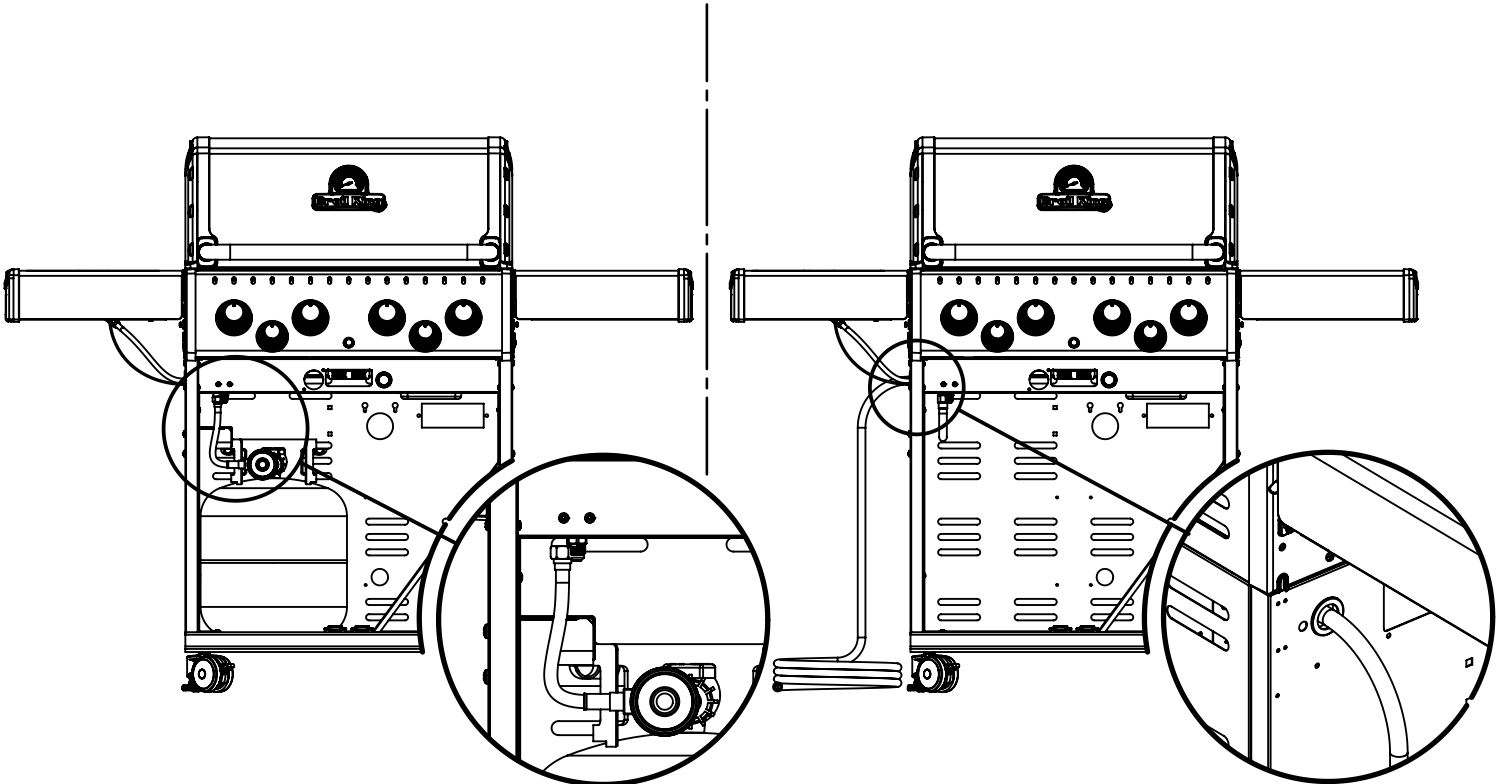
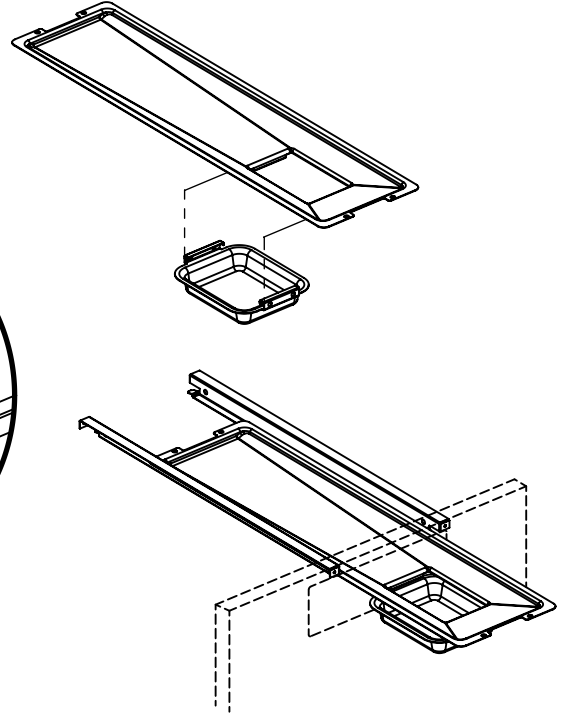
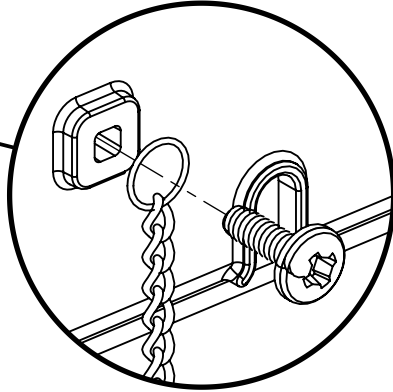
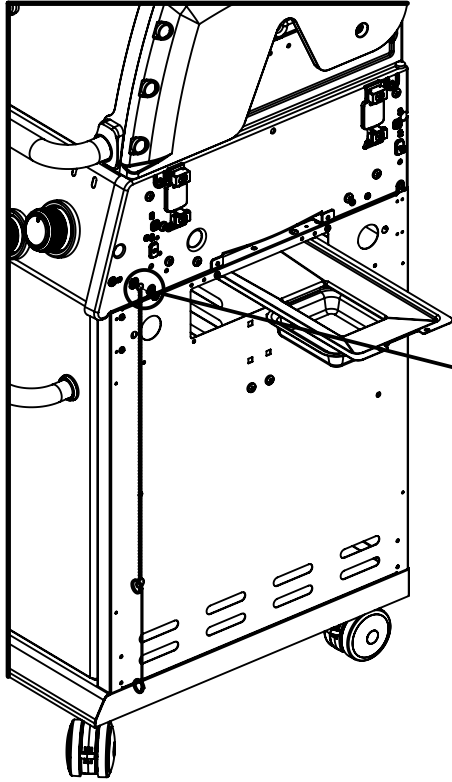
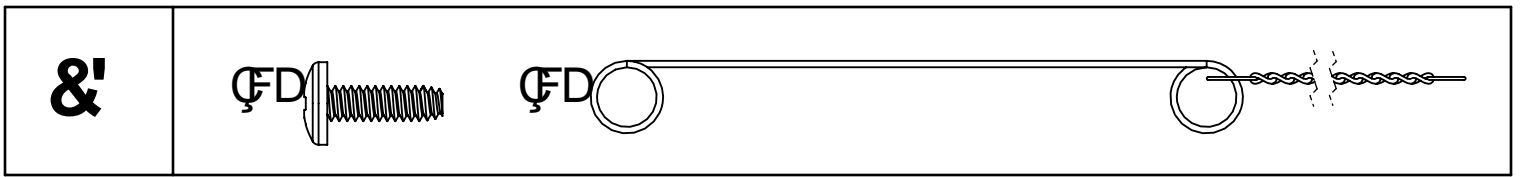


&%



&&





&

