

This Owner's Manual is provided and hosted by [Appliance Factory Parts](#).



# HESSAIRE H12HP2A Owner's Manual

[Shop genuine replacement parts for HESSAIRE  
H12HP2A](#)



[Find Your HESSAIRE Air Conditioner Parts - Select From 6 Models](#)

----- Manual continues below -----



COOL AIR ANYWHERE

DUCTLESS MINI-SPLIT AC  
H SERIES  
INSTALLATION INSTRUCTIONS



**Models:**

H12E1(1 Ton, 23 SEER), H12HP1A/H12HP2A(1 Ton, 17 SEER),  
H18E2(1.5 Ton, 23 SEER), H18HP2A(1.5 Ton, 17 SEER),  
H24HP2A(2 Ton, 17 SEER)

**Please read and keep these instructions for future reference.**

## Table Of Contents

<b>1) Getting Started</b>	
1.1 Contents.....	1
1.2 Suggested Tools.....	2
<b>2) General Safety Precautions.....</b>	<b>3</b>
<b>3) Dimensions.....</b>	<b>4</b>
<b>4) Indoor Unit Installation</b>	
4.1 Select Location/Clearances.....	4
4.2 Attach Mounting Plate To Wall.....	5
4.3 Drill Through-Hole In Outdoor Wall.....	6
4.4 Connect Signal Cable To Indoor Unit.....	7
4.5 Mount Indoor Unit To Wall.....	8
4.6 Connect Refrigerant Piping To Indoor Unit.....	9
4.7 Connect Drain Tubing To Indoor Unit.....	9
<b>5) Outdoor Unit Installation</b>	
5.1 Select Location/Clearances.....	10
5.2 Install Pad/Anchor Unit To Pad.....	10
5.3 Connect Signal Cables.....	11
5.4 Connect Power Wire.....	12
5.5 Connect Refrigerant Piping To Outdoor Unit...	12
<b>6) Vacuum Testing &amp; Charging.....</b>	<b>13</b>
<b>7) Electrical &amp; Gas Leak Checks.....</b>	<b>14</b>
<b>8) Start Up.....</b>	<b>14</b>

### Suggested Skill Level:

**1** = Beginner

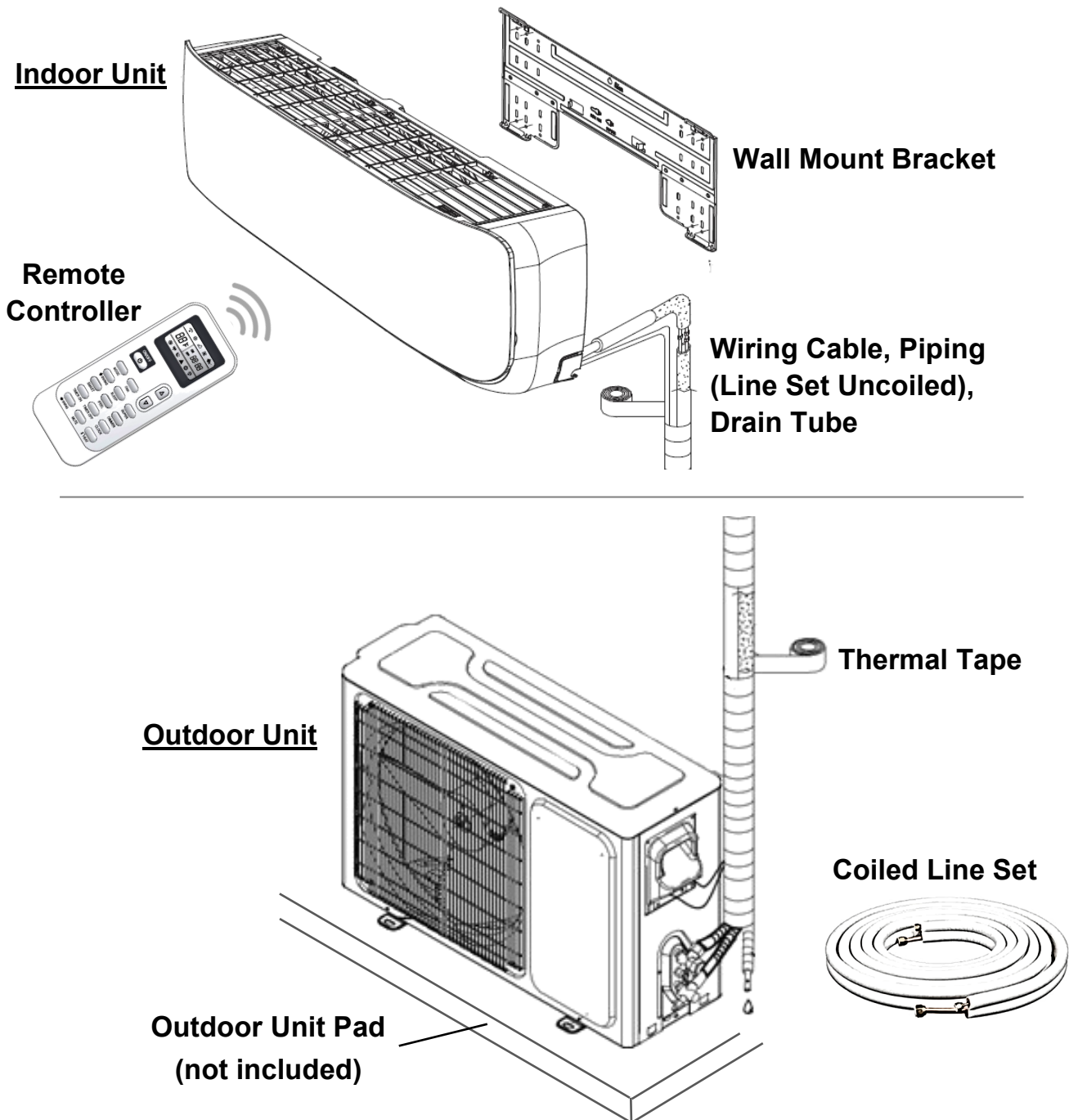
**2** = Intermediate

**3** = Qualified

## Getting Started: 1.1 Contents

### Included:

- Indoor Unit (Air Circulator)
- Outdoor Unit
- Remote Controller & Wall Holder
- Line Sets—Piping W/Insulated Wrap (2)
- Communication Cable—Indoor To Outdoor Unit
- Wiring Cable—Connection box to outdoor unit
- Drain Tubing Extension
- Indoor Unit Wall Mount Bracket
- Outdoor Unit Vibration Foot Pads (4)
- Thermal Tape
- Through Hole Edge Cover
- Drain Port For Outdoor Unit
- Manual



## Getting Started: 1.2 Suggested Tools

Safety Glasses .....



Work Gloves .....



Adjustable Wrenches .....



Screwdriver—Both Philips & Flathead .....



Allen Wrench Set—Standard .....



Torque Wrench .....



Drill & Drill Bits, 3" Hole Saw .....



R410A Adapter .....



Vacuum Pump .....



Clamp On Amp Meter .....



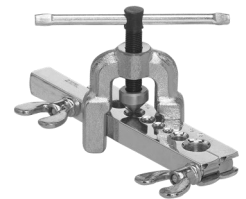
Level .....



Pipe Cutter .....



R410A Flaring Tool .....



Micron Gauge .....



## General Safety Precautions: 2.0

**Read Before Installation. Incorrect installation may cause serious damage or injury.**

### **⚠ WARNING**

Risk of electrical shock can cause injury or death. Disconnect all remote electric power supplies before servicing and installing.

The appliance shall be installed in accordance with the local electrical safety regulations and National Electrical Codes (NEC).

Unit must be properly grounded during installation to avoid electrical shock.

Power supply to the outdoor unit must be an independent, dedicated, grounded circuit. Insufficient electrical capacity can cause electrical shock or fire.

Ensure proper gauge of wire is used based on rated current.

Do not modify length of power supply cord or use an extension cord with the unit.

If the supply cord is damaged, it must be replaced by the manufacturer, a service agent, or similarly qualified persons in order to avoid a hazard.

### **⚠ CAUTION**

Do not install the unit near combustible materials or in a location exposed to combustible gases.

It is recommended that the length of the copper lines between the indoor unit and outdoor unit is less than 7.5 meters (24.6 ft). The efficiencies of the air conditioner will be negatively impacted if the length of the lines exceeds that distance.

It is recommended that adults operate this appliance. Children should be supervised when operating or learning to use this appliance.

Install drain tubing according to instructions in this manual. Improper drainage can damage your property.

It is not recommended to install air conditioner in damp locations such as laundry rooms or bathrooms as too much exposure to water may cause electrical components to short circuit.

When charging refrigerant into system, make sure to charge in liquid state if the refrigerant of the appliance is R410A. Otherwise, the chemical composition of refrigerant (R410A) may change and adversely affect the performance of the air conditioner.

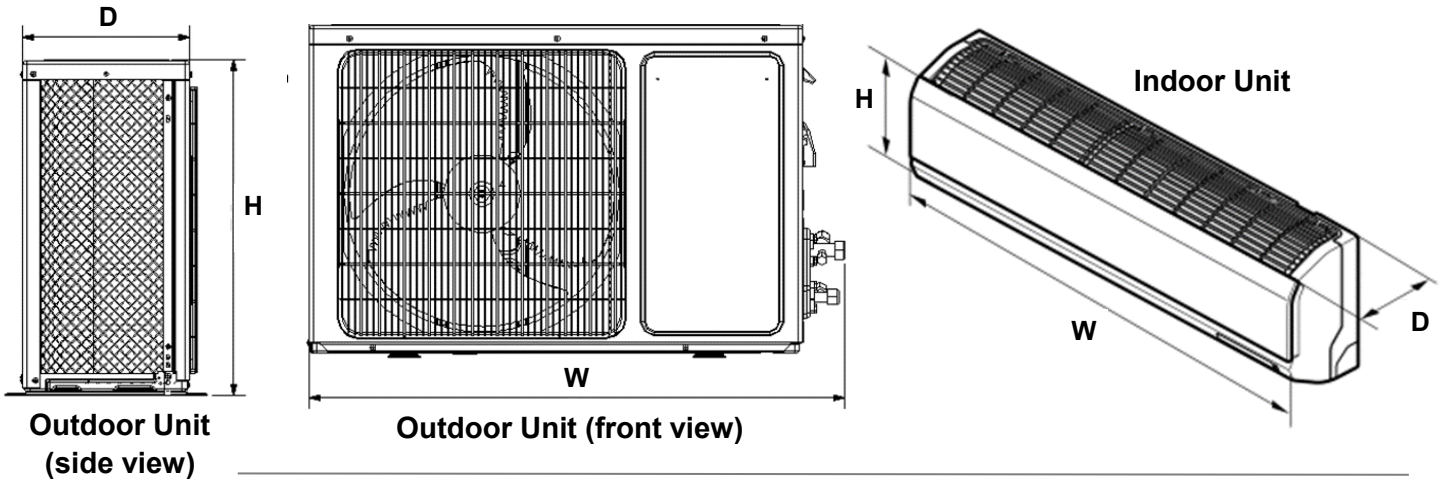
The temperature of the refrigerant circuit will be high. Please keep the interconnection cable away from the copper tube.

Use only factory provided or approved parts and accessories during installation and/or repair.

Install unit in a location that is secure and will support the weight of the unit.

## Dimensions: 3.0

Model Number	Indoor Unit Wt.	Outdoor Unit Wt.	Indoor Unit Width (W)	Indoor Unit Height (H)	Indoor Unit Depth (D)	Outdoor Unit Width (W)	Outdoor Unit Height (H)	Outdoor Unit Depth (D)
H12E1	21.0 lbs	78.0 lbs	33.5"	11.0"	8.50"	32.0"	23.0"	11.0"
H12HP1A	20.0 lbs	65.0 lbs	32.0"	11.0"	8.50"	28.0"	19.0"	10.0"
H12HP2A	20.0 lbs	65.0 lbs	32.0"	11.0"	8.50"	28.0"	19.0"	10.0"
H18E2	32.0 lbs	99.0 lbs	44.5"	12.5"	9.50"	34.0"	26.0"	12.5"
H18HP2A	28.0 lbs	86.0 lbs	36.0"	12.5"	9.50"	32.0"	24.0"	11.5"
H24HP2A	33.0 lbs	110.0 lbs	43.0"	12.5"	9.50"	37.0"	26.5"	12.5"



### Indoor Unit Installation: 4.1 Select Location

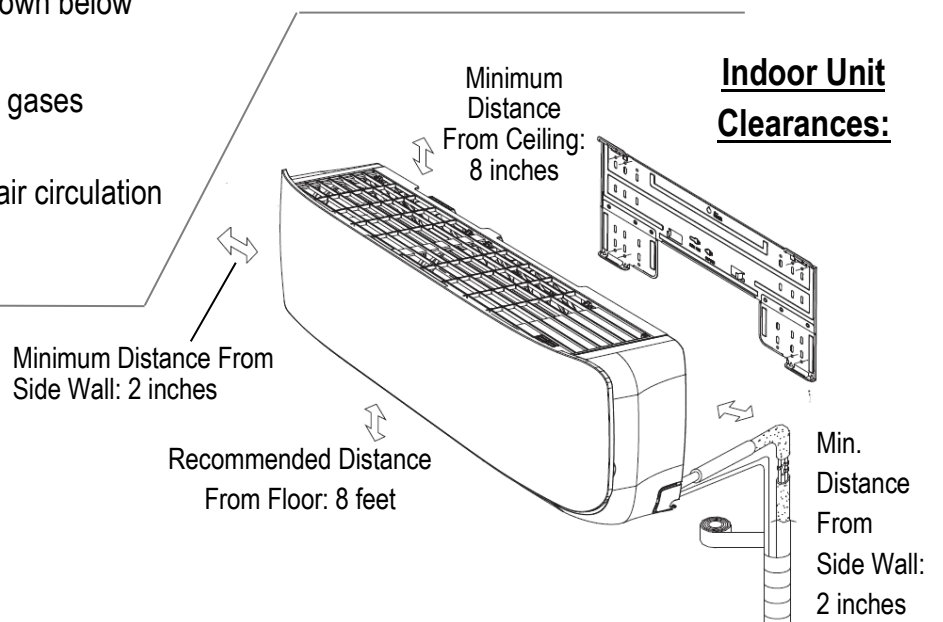
**Skill Level 1**

**When selecting location for indoor unit, it is recommended that:**

- it allows for maximum air circulation
- it has a convenient drainage location
- the area doesn't cause noise issues for other people
- it is on a strong enough structure(wall) to support it's weight
- it is at least 3ft from all other electrical devices(computer, TV, radio, etc.)
- it is located where piping and wall hole can easily be arranged - avoiding wall studs when drilling 3" hole
- you adhere to minimum clearances shown below

**Be sure to avoid installing near:**

- sources of heat, steam or combustible gases
- flammable materials such as curtains
- obstacles that would potentially block air circulation
- areas in direct sunlight
- doorways



**Attaching The Mounting Plate:**

Remove mounting plate—located on back side of indoor unit.

Determine location for mounting plate according to desired indoor unit placement and according to location recommendations on previous page—**Fig. 4.1**.

Locate plate so it catches at least one wall stud for sturdy mounting. *Note: heavy duty screw anchors are recommended when attaching plate to sheet rock only, block, brick, etc.*

Ensure mounting plate is horizontal and level.

Mark the center of indoor unit on mounting plate for future reference. *Note: the center of the mounting bracket may not be the center of the indoor unit.*

Use a minimum of 6 evenly spaced mounting screws to properly support the weight of the indoor unit. (mounting screws and anchors not included)

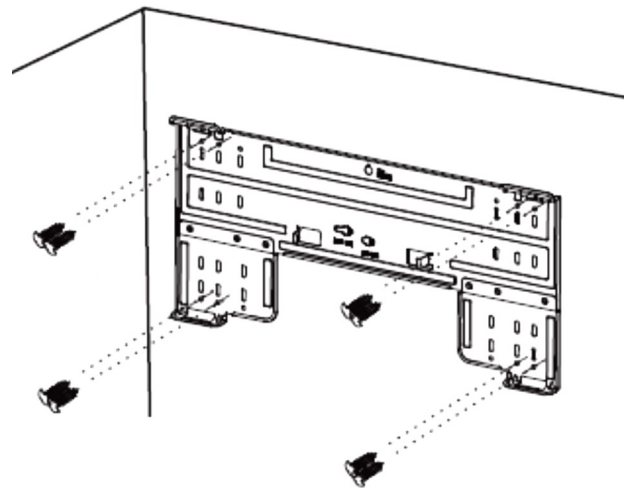
Securely tighten all screws and ensure plate is tight to wall.

**Notes:**

*The shape of your mounting plate may differ from the illustration above but the installation steps remain the same.*

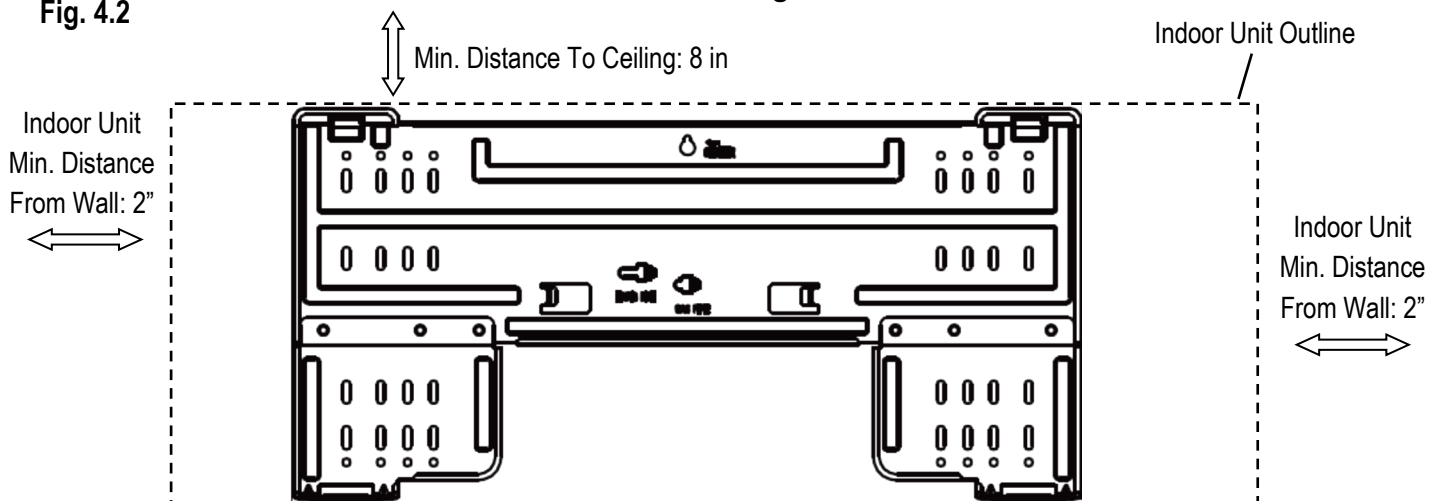
*Ensure top of mounting plate is level before anchoring to wall.*

*Refer to **Fig. 4.2** below for mounting plate clearances.*



**Indoor Unit And Mounting Plate Clearances:**

**Fig. 4.2**



**CAUTION** When drilling wall hole, be sure to avoid electrical wires, plumbing and wall studs.

**Drilling Hole Through Wall To Exterior:**

It is necessary to drill a 3" hole in the wall to pass refrigerant piping, drain tube and signal cable through wall to exterior.

Determine the location of the 3" hole based on the location of the mounting plate. Refer to **Fig. 4.3** on this page for accurate hole location based on unit size. *Note: Bottom of 3" hole should not drop below bottom edge of wall mount bracket. Dropping the hole lower than the bottom edge will result in the indoor unit not completely covering the hole. (If rerouting the exit position of the refrigerant piping, drain tube and signal cable differently from pre-set factory orientation, ensure 3" wall hole is covered by unit where possible).*

Using a 3" hole saw, drill hole from interior wall through to exterior of building. Drill hole at slight downward angle towards the outside. See Fig. 4.3b on this page. *Note: If installing through concrete or brick, special drill & drill bits will be required.*

Fig. 4.3

**Table of Wall Hole mounting dimensions**

Model Number	Dim. A	Dim. B	Dim. C
H12E1 (1 Ton)	2.75"	1.5"	3"
H12HP1A (1 Ton)	2.75"	1.5"	3"
H12HP2A (1 Ton)	2.75"	1.5"	3"
H18E2 (1.5 Ton)	6.7"	1.5"	3"
H18HP2A (1.5 Ton)	5.4"	1.5"	3"
H24HP2A (2 Ton)	6.7"	1.5"	3"

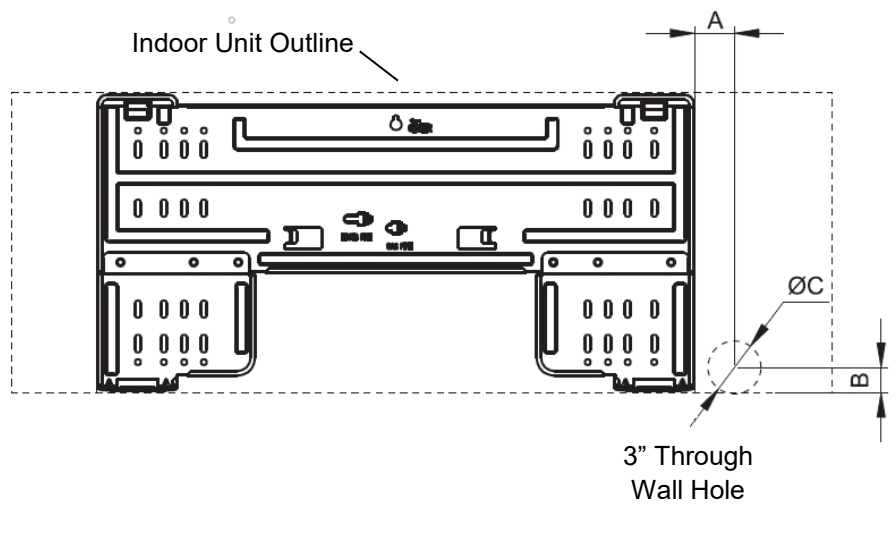
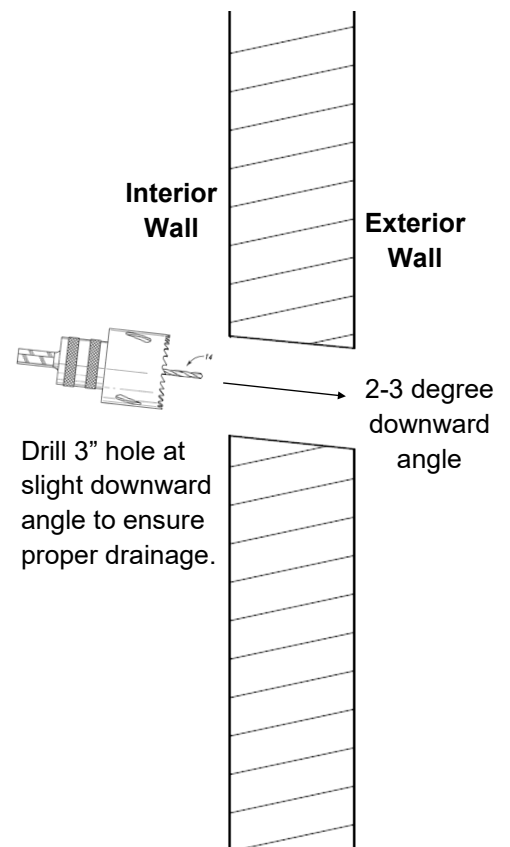


Fig. 4.3b



**CAUTION** Refer to Safety Precaution page prior to connecting any wiring.

**Connecting signal cable to indoor unit:**

The signal cable enables communication between the indoor unit and outdoor unit. It provides power to the indoor unit. This cable is provided with your unit. Cable ends are prepared for quick connections.

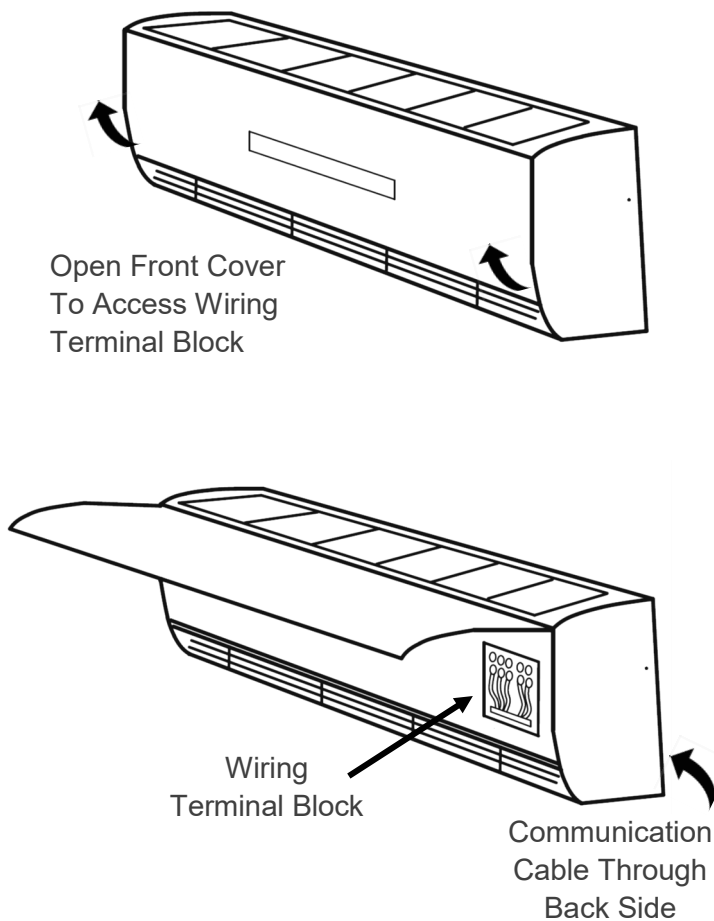
Lift up front access panel of indoor unit—**Fig. 4.4**— to expose wiring cover & terminal block on right hand side. Feed signal cable through back side of indoor unit through to front side by terminal block.

Using a screwdriver, remove wire cover from terminal block.

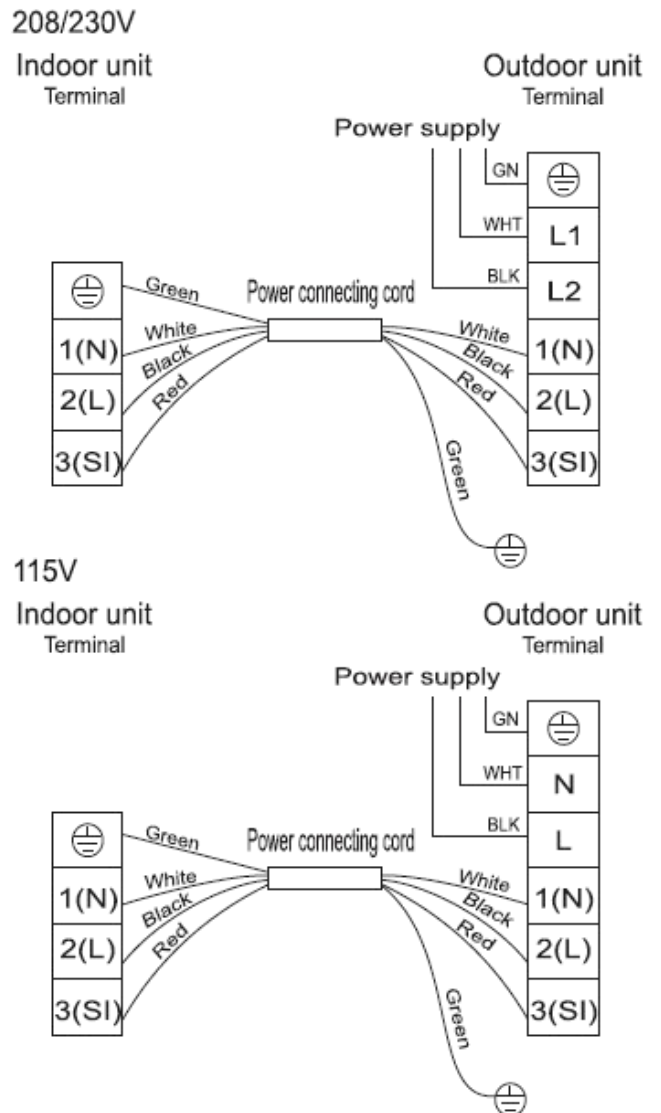
Using wiring diagram in **Fig. 4.4b**, make connections accordingly to the indoor unit terminal block. *Note: Be sure to follow the diagram for the exact voltage your unit is rated for.*

Once connections are secure, replace wire cover and secure cable using the built in cable clamp.

**Fig. 4.4: Face View Indoor Unit**



**Fig. 4.4b: Wiring Diagram**



*This diagram is reference only. Actual terminal shall prevail.*

**Note:** Wiring diagram is also located under the cover near the terminal block.

**Mounting indoor unit to wall:**

Typical (recommended) piping orientation for attaching the indoor unit to the wall is with the refrigerant piping protruding straight out from the back of the indoor unit—position **A** of Fig. 4.5 below. If piping has to be positioned in any of the other orientations (positions **B, C, D**), the knockouts on either end of the unit will be utilized and additional lengths of refrigerant, drain tubing or signal cable wire may be needed.

Position indoor unit on it's face—providing access to back side of unit. Locate refrigerant piping stubs along bottom of unit and gently bend straight up and back as shown in position 3 below. Be careful not to “kink” piping while bending.

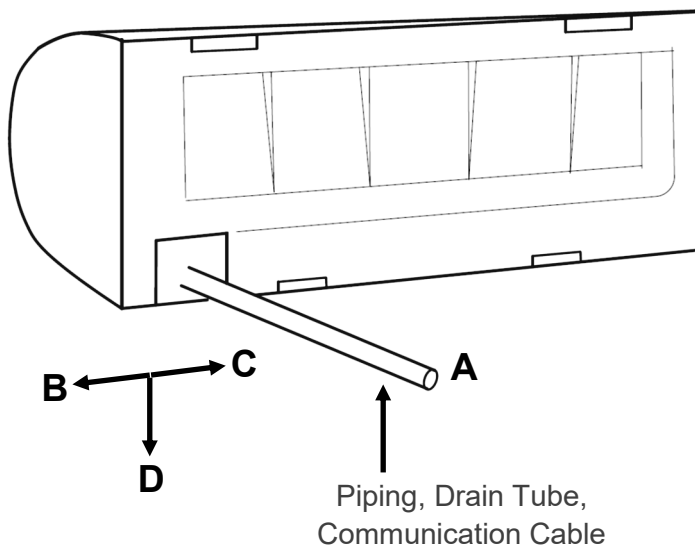
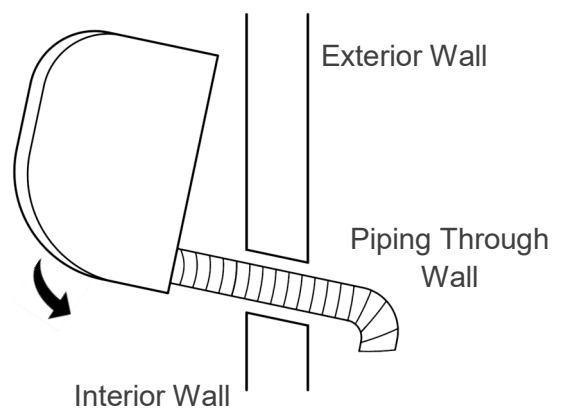
Locate drain tube stub and signal cable. Run drain tube and signal cable along underside of piping. Secure together with vinyl tape (included).

Unit is now ready to be attached to wall bracket and have piping stubs, drain tube and signal cable inserted through hole in wall to outside.

*Note: Refrigerant piping can exit the indoor unit from 4 different positions as shown in Fig. 4.5 below. Factory preset (and most common position used) is position A. If it is necessary to have piping exit unit in any position other than A, additional refrigerant piping and fittings may be needed and the drain tubing may need to be moved to the opposite side. Be sure to relocate and install the drain plug to prevent water damage.*

Hold indoor unit up to wall and gently guide piping, cable and drain tubing through hole in wall. At the same time tilt the unit slightly to hook the top of the unit on the tab hooks on the top edge of the wall mounting bracket until unit is self supported on the tabs. See Fig. 4.5b below.

Using even pressure, push the bottom front of the indoor unit towards the wall. Push evenly until the unit “snaps” onto the hooks along the bottom edge of the mounting plate. *Note: The entire unit should be secured in place and there should be no uneven gaps between the indoor unit and wall. Ensure unit is securely held in place. There is some adjustment right or left to slightly move the unit if needed to line piping up with 3” hole in wall.*

**Fig. 4.5: Rear View Indoor Unit****Fig. 4.5b: Attach Indoor Unit To Wall Bracket**

**Connecting Refrigerant Piping To Refrigerant Pipe Stubs From Indoor Unit:**

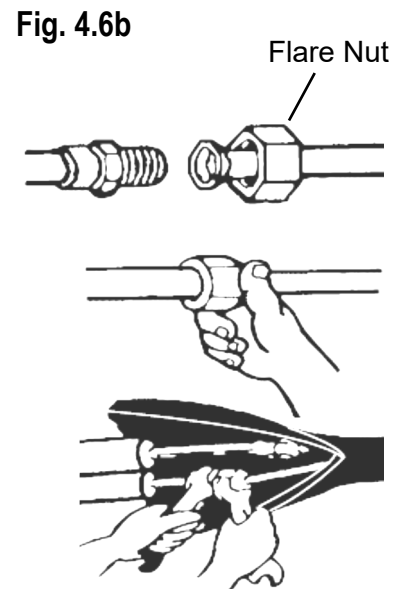
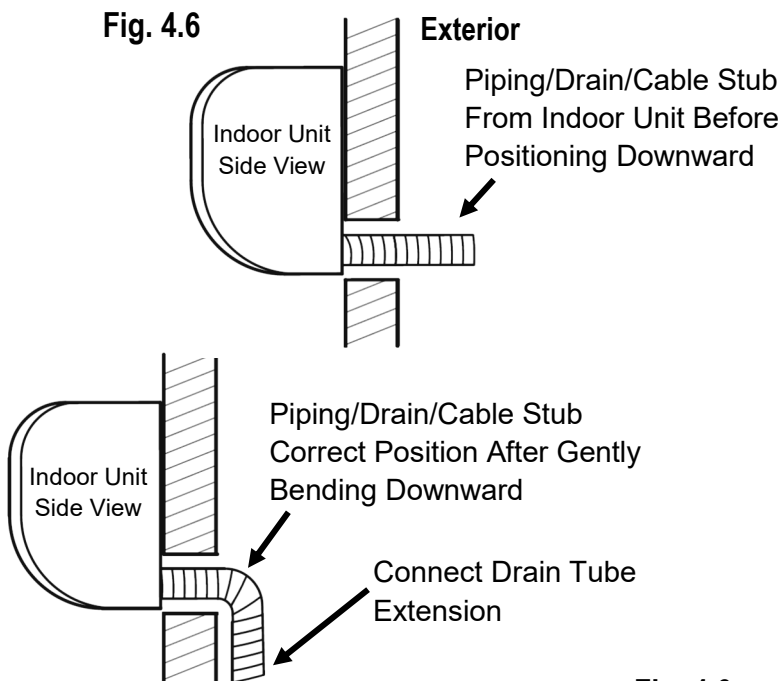
From the exterior of the house, gently bend pipe/drain/cable stub downward toward the outdoor unit location.  
*Note: Support piping while bending to prevent kinks. Keep piping stub as close to exterior wall as possible.*

Once piping/drain/cable stub is bent downward, line sets are ready to be connected. See **Fig. 4.6**.

Remove cap nuts from ends of refrigerant piping on stubs coming through wall. *Note: Indoor unit piping line is filled with nitrogen for factory leak test. Upon removing cap nut, there will be a brief “hissing” sound. This is normal and the sound will quit in a few seconds. This is not refrigerant escaping.*

Gently uncoil line set (2 pipes) and connect the flare nut from the line set end to the piping stub from the indoor unit and hand tighten. Do this for both lines. **Fig. 4.6b**. *Note: Only uncoil enough line set piping to reach the ground behind the outdoor unit. Excess piping will remain on ground behind outdoor unit.*

Using two wrenches, securely tighten the fittings on both lines—**Fig. 4.6b**. Refer to chart below in **Fig. 4.6c** for proper torque values to prevent under or over tightening. *Note: Overtightening may deform or damage copper lines.*



**Fig. 4.6c**

Model Number	Pipe Size	Torque	Nut Width	Min. Thickness
H12E1, H12HP1A, H12HP2A (1 Ton)	Liquid Side: 1/4"	11-15 ft/lbs	.625"	.02"
H18E2, H18HP2A (1.5 Ton)	Liquid Side: 1/4"	11-15 ft/lbs	.625"	.02"
H24HP2A (2 Ton)	Liquid Side: 3/8"	22-26 ft/lbs	.875"	.024"
H12E1, H12HP1A, H12HP2A (1 Ton)	Gas Side: 3/8"	22-26 ft/lbs	.875"	.024"
H18E2, H18HP2A (1.5 Ton)	Gas Side: 1/2"	37-41 ft/lbs	.94"	.024"
H24HP2A (2 Ton)	Gas Side: 5/8"	44-48 ft/lbs	1.1"	.024"

**Indoor Unit Installation: 4.7 Connect Drain Tubing Extension**

Connect drain tubing extension piece to the drain stub from the interior unit. Drain tubing should run straight downward along side the refrigerant piping and communication cable. **Fig. 4.6**

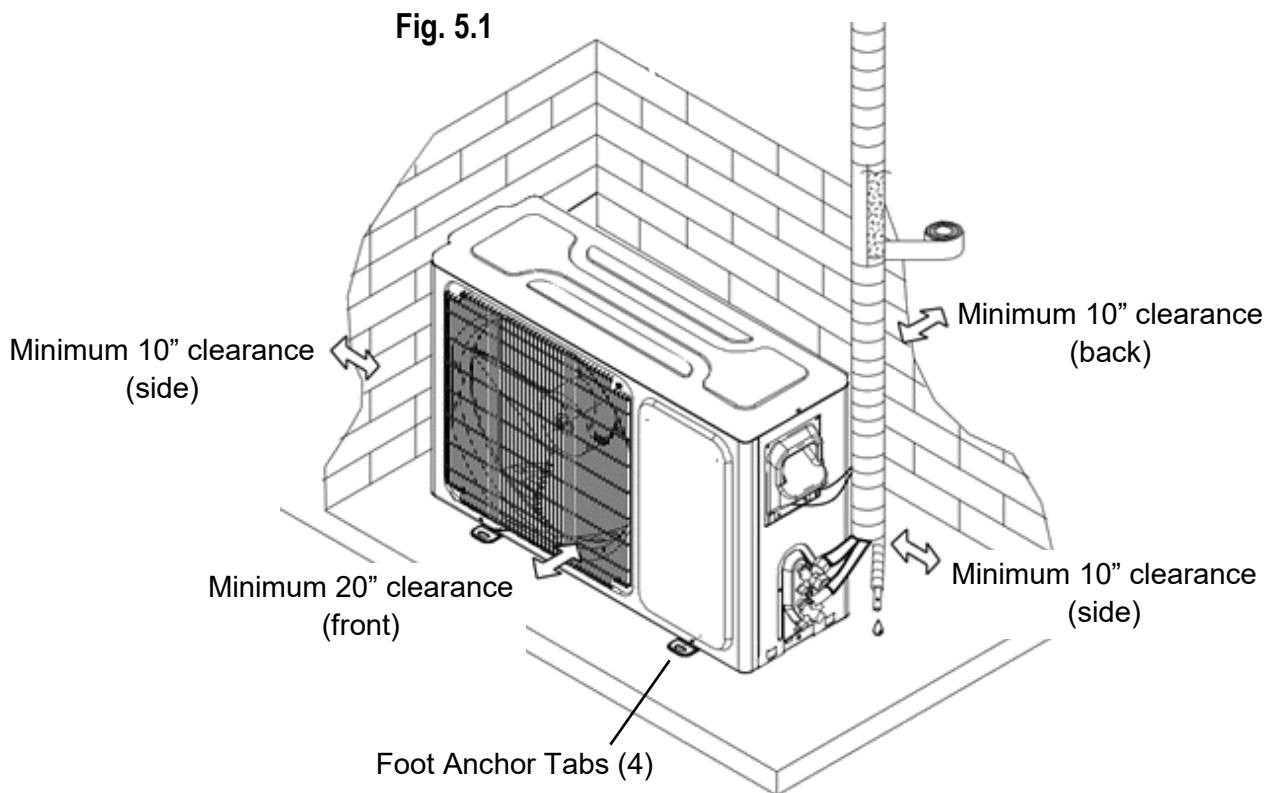
### **Selecting Outdoor Unit Location:**

Before installing the outdoor unit, it is important to choose an appropriate location. When choosing the location, the outdoor unit placement should be:

- In an area that meets all clearance requirements as shown in **Fig. 5.1** below.
- In a location that corresponds with desired indoor unit placement
- In area with good air circulation and ventilation
- Firm and solid to properly support the unit and prevent vibration
- Located where noise will not disturb others
- Protected from long periods of direct sunlight, rain, flooding.

Do not install in locations that are near:

- Obstacles that will block air intake or discharge
- Public streets, crowded areas, or where noise will disturb others
- Animals or plants that may be harmed by hot or cold air discharge
- Sources of combustible gases
- Areas that are exposed to large amounts of dust or high winds



### Outdoor Unit Installation: 5.2 Install Pad/Anchor Unit

Once ideal location is decided on, place pad on ground. *Note: It is important that pad is level and is on a solid surface that won't sink.*

After pad is firmly in place and level, anchor outdoor unit firmly to pad by fastening screws through the foot tabs as shown in **Fig. 5.1**. *Note: It is advised to use the included rubber foot pads to lessen vibration.*

**Connecting Signal Cable:**

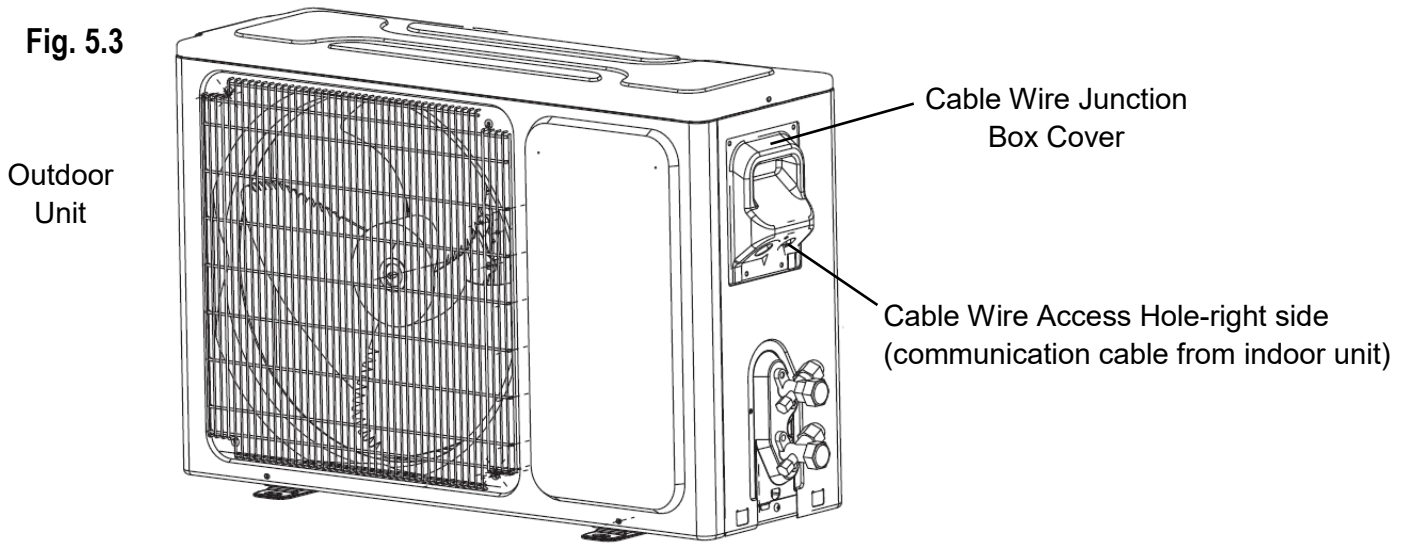
Remove cable/wire junction box cover. **See Fig. 5.3.**

Locate the signal cable ends. The signal cable from the indoor unit will run down the side of the exterior along with the piping and drain tube.

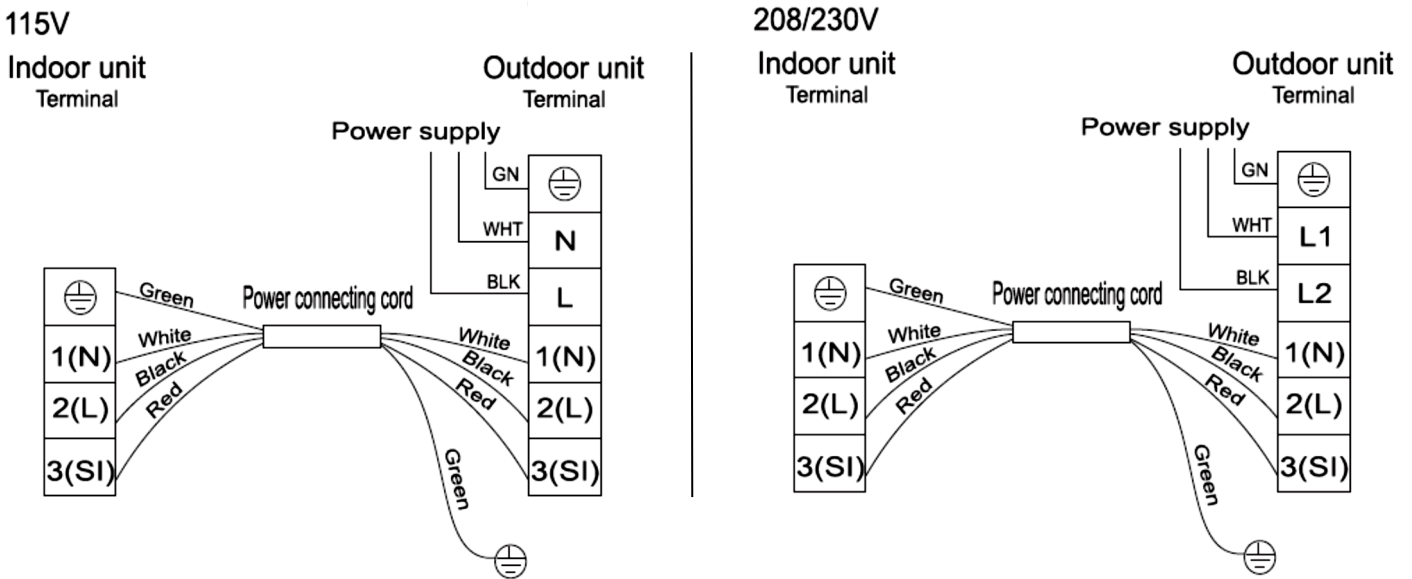
Run the signal cable through the right side cable wire access hole - **Fig. 5.3.**

Connect signal cable ends to the terminal block on the right hand side of the junction box. *Note: Be sure to follow connection diagram shown below in Fig. 5.3b. Be careful to follow correct voltage diagram.*

Ensure connections are secure and correct.



**Fig. 5.3b: Communication Cable Connections**



### **⚠ WARNING** Connecting Power Wire:

- Power connection box must be installed by qualified person(s) and it is recommended this power connection step be performed by qualified person(s).
- All wiring must be done in accordance with the wiring diagram located on the inside of the junction box cover and local and national codes.

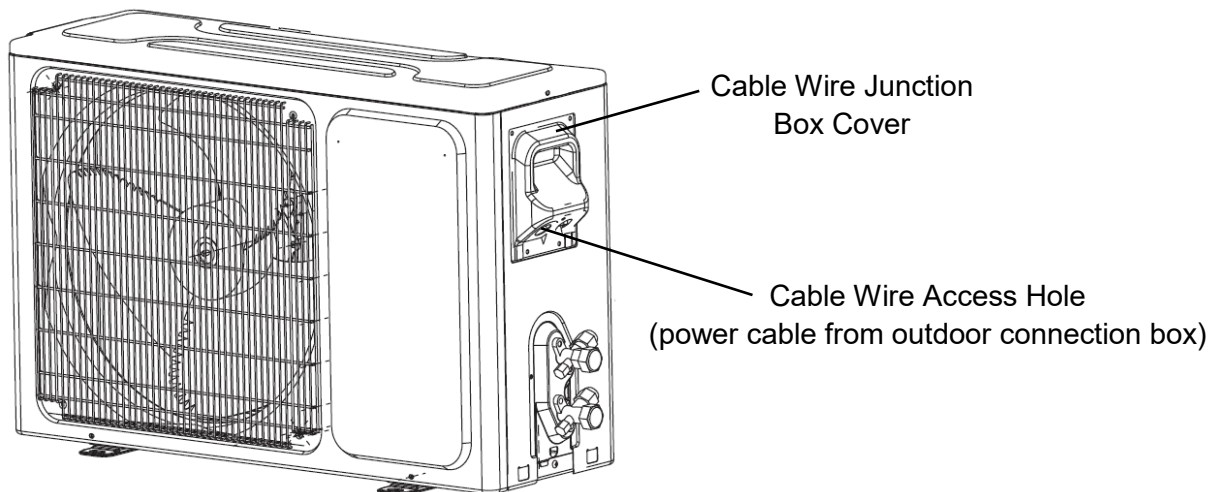
Power connection box should be located within 6ft of outdoor unit.

Run outdoor rated power cable from connection box to outdoor unit. Run wire through left hand wire access hole.

*Note: SJ power cable is provided with your unit. Check local codes to ensure the proper cable is used.*

Ensure connections are secure.

**Fig. 5.4**



## Outdoor Unit Installation: 5.5 Connect Refrigerant Piping To Outdoor Unit

### Connecting Refrigerant Piping To Outdoor Unit:

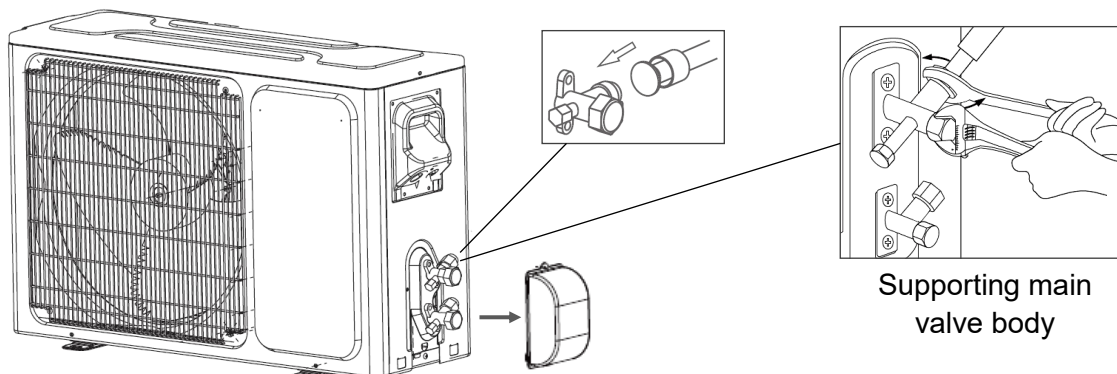
Remove valve cover from outdoor unit for access to valves. **Fig. 5.5.**

Uncoil just enough insulated line set to reach the valves.

Hand tighten both lines to the corresponding valves. *Note: One refrigerant pipe line is smaller than the other so it can only be installed one way.*

Support the main valve body with a second wrench prior to tightening each flare nut with a wrench to the specified torque. Torque values shown in **Fig. 4.6c**, page 9.

While firmly gripping the body part of the valve, use a torque wrench to tighten the flare nuts to specified torque.



**Precautions:** *It is recommended that a qualified installer perform this step of vacuum testing.*

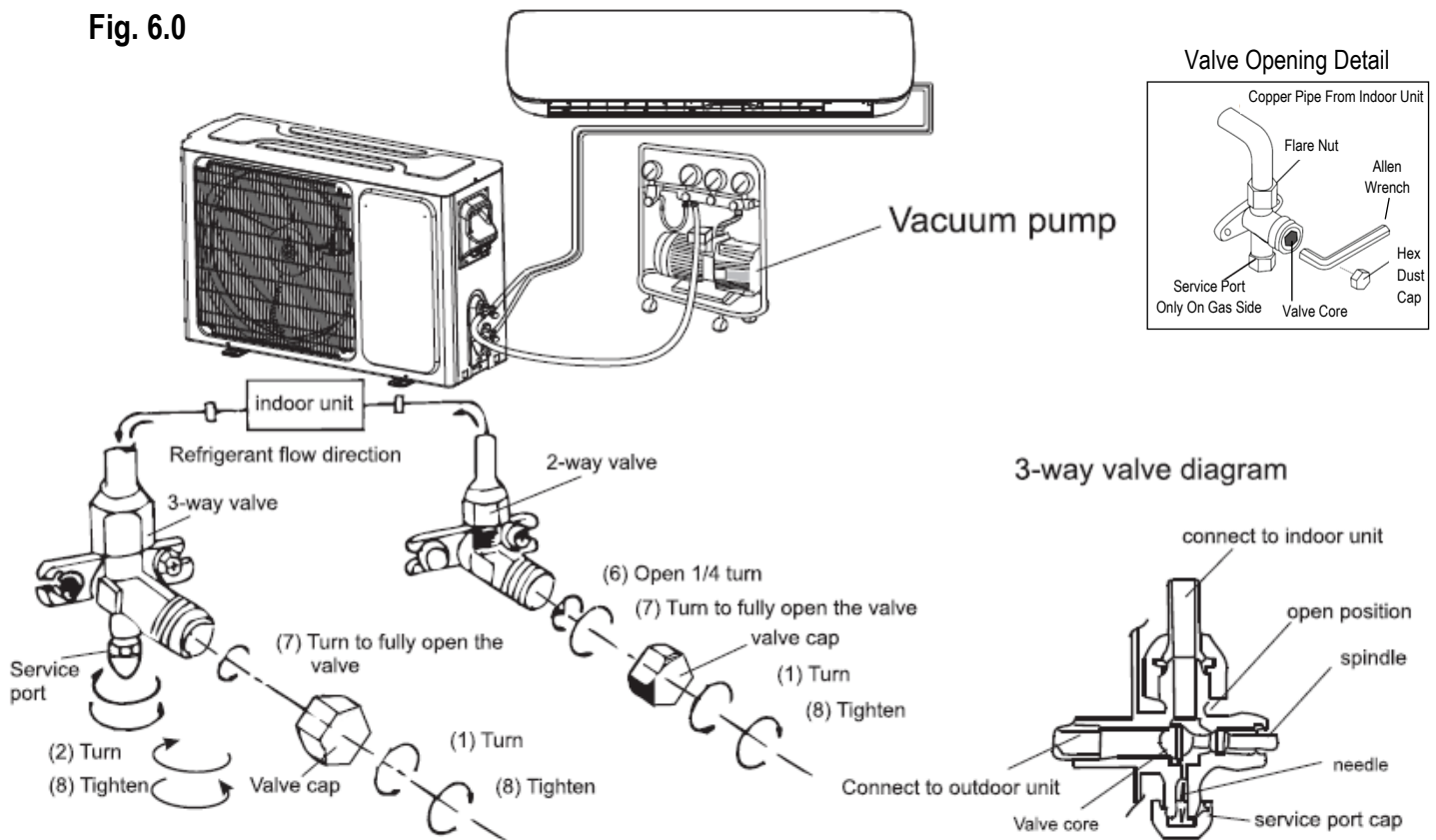
Air and foreign matter in the refrigerant lines may cause abnormal spikes in pressure which could result in damage to the air conditioner, reduce it's efficiencies and possibly cause injury.

Ensure all piping and electrical connections are correct.

Release air and moisture from the refrigerant circuit using a vacuum pump with manifold gauge as shown below.

**Fig. 6.0.** *Note: During initial testing and opening of valves, a "hissing" sound will occur for a few seconds. This is normal as it is releasing the nitrogen that is in the lines. It will quit after a few seconds. If a "hissing" air release sound continues, you will need to check for improperly torqued flared piping connections.*

Fig. 6.0



How to Vacuum Air Tubes:

1. Unscrew and remove caps from 2 and 3 way valves.
2. Unscrew and remove cap from service port valve.
3. Connect vacuum pump flexible hose to the service valve.
4. Start vacuum pump for 10-15 minutes until reaching a vacuum of 10 mm Hg absolutes.
5. With vacuum pump still running, close the low pressure knob on vacuum pump manifold. Stop the vacuum pump.
6. Open 2-way valve, 1/4 turn, then close it after 10 seconds. Check tightness of all joints using liquid soap or an electronic leak detector.
7. Turn 2 and 3-way valve stems to fully close the valves. Disconnect the flexible vacuum pump hose.
8. Replace and tighten all valve caps.

## Electrical & Gas Safety Checks: 7.0

### **Electrical Check Prior To Start Up:**

**Skill Level 3**

Confirm all electrical wiring is done in accordance with all national and local codes, and also according to wiring diagrams in this manual and those located on the units.

Before test run, check for grounding resistance using a resistance tester. Grounding resistance must be less than 4  $\Omega$ .

During test run, use a multimeter to perform an electrical leakage test. If electrical leakage is detected, turn off unit, disconnect all power going to unit and immediately call an electrician to resolve the cause of the leakage.

### **Gas Leak Check Prior To Start Up:**

**Skill Level 1**

Using a soft brush, apply soapy water to all pipe connection points.

The presence of bubbles will alert you to a leak.

### **Installation Wrap Up:**

**Skill Level 1**

Wrap line set, communication wire from indoor unit and drain tubing together using provided vinyl tape.

Ensure electrical box access covers and valve access covers are in place.

Proceed to general start up checklist and procedures.

---

## Operation: 8.0 Start Up

**Skill Level 1**

### **Before Test Run:**

Confirm electrical system is safe and operating properly.

Make sure unit is properly grounded.

Make sure electrical and valve access covers are securely in place.

Check all gas connections and confirm there are no leaks.

Confirm both valves are fully open.

### **Test Run Instructions:**

1. Connect power to unit.
2. Allow a minute for unit to turn on when starting for the very first time.
3. Press on/off button on remote controller to turn indoor unit on.  
(Note: There will be an initial delay for a few moments when turning on for the first time.)
4. Select the mode button and select both heating and cooling functions to confirm all functions work.
5. Check all louver and fan speed functions.
6. Ensure water drains from outside drain tube in cooling mode.

**For questions pertaining to detailed remote control functions, WiFi set up or maintenance & troubleshooting, refer to User Manual, Remote Control Manual or WiFi set up instructions sheet.**

**This information and more is also available online at [www.hessaire.com](http://www.hessaire.com).**



COOL AIR ANYWHERE

CA MINI-SPLIT SIN CONDUCTO  
H SERIES  
INSTRUCCIONES DE INSTALACIÓN



**Modelos:**

H12E1(1 Ton, 23 SEER), H12HP1A/H12HP2A(1 Ton, 17 SEER),  
H18E2(1.5 Ton, 23 SEER), H18HP2A(1.5 Ton, 17 SEER),  
H24HP2A(2 Ton, 17 SEER)

**Lea y conserve estas instrucciones para futuras consultas.**

## Tabla de Contenido

<b>1) Comenzando</b>	
1.1 Contenido .....	1
1.2 Herramientas sugeridas .....	2
<b>2) Precauciones generales de seguridad</b> .....	3
<b>3) Dimensiones</b> .....	4
<b>4) Instalación de la unidad interior</b>	
4.1 Seleccionar ubicación / espacios libres .....	4
4.2 Fije la placa de montaje a la pared .....	5
4.3 Taladre un orificio pasante en la pared exterior..	6
4.4 Conecte el cable de señal a la unidad interior ...	7
4.5 Monte la unidad interior en la pared .....	8
4.6 Conecte la tubería de refrigerante .....	9
4.7 Conecte el tubo de drenaje a la unidad interior ...	9
<b>5) Instalación de la unidad exterior</b>	
5.1 Seleccionar ubicación / espacios libres .....	10
5.2 Instale la almohadilla / unidad de anclaje .....	10
5.3 Conecte los cables de señal .....	11
5.4 Conecte el cable de alimentación .....	12
5.5 Conecte la tubería de refrigerante .....	12
<b>6) Prueba de vacío y carga</b> .....	13
<b>7) Verificaciones de fugas de gas y electricidad</b> .....	14
<b>8) Puesta en marcha</b> .....	14

### Suggested Skill Level:

**1** = Beginner

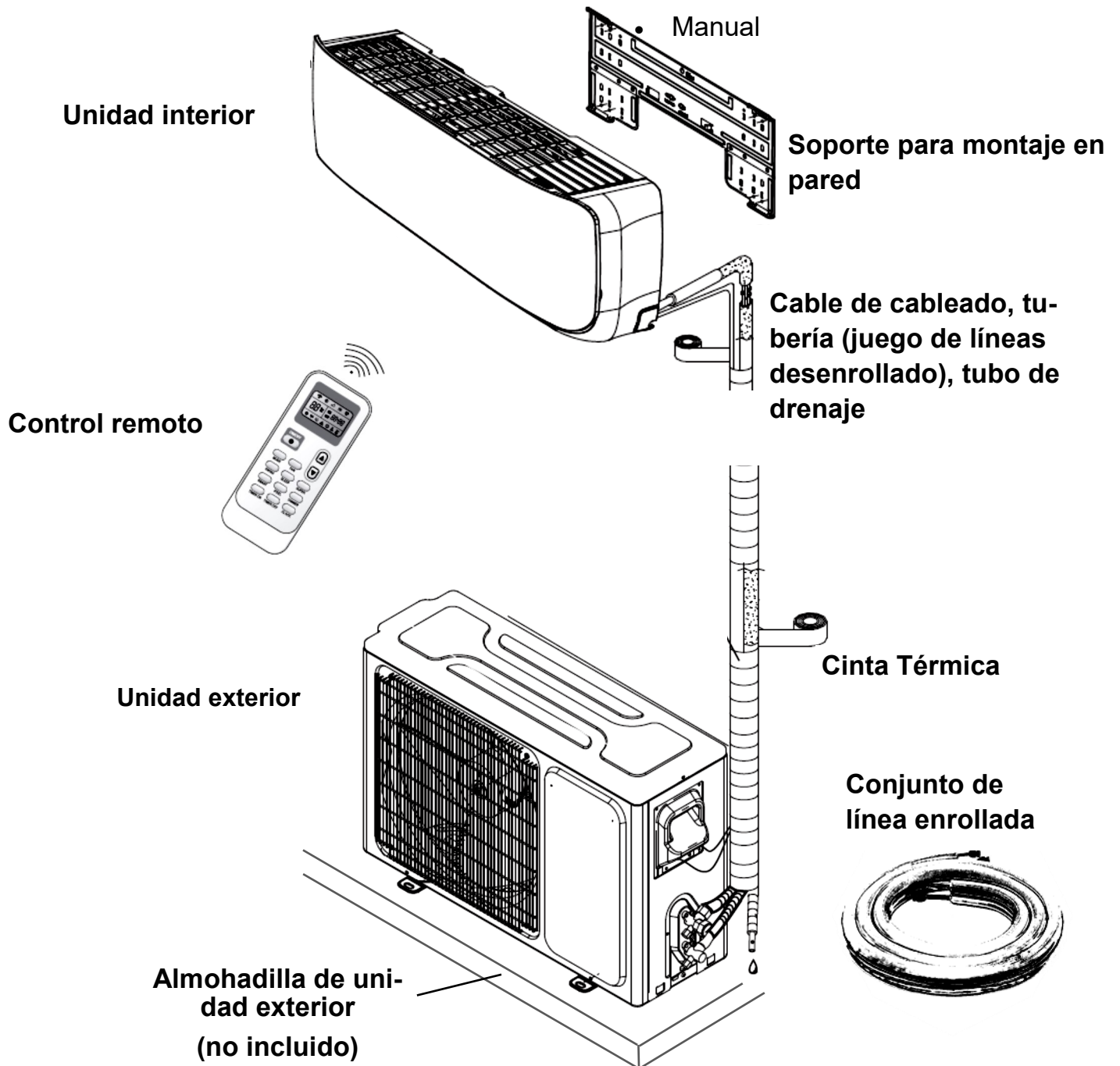
**2** = Intermediate

**3** = Qualified

## Introducción: 1.1 Contenido

### Incluído:

- Unidad interior (circulador de aire)
- Unidad exterior
- Mando a distancia y soporte de pared
- Juegos de líneas: tubería con envoltura aislada (2)
- Cable de comunicación: unidad interior a exterior
- Cable de cableado: caja de conexión a la unidad exterior
- Extensión del tubo de drenaje
- Soporte de montaje en pared para unidad interior
- Almohadillas de pie de vibración para unidad exterior (4)
- Cinta Térmica
- Cubierta del borde del orificio pasante
- Puerto de drenaje para unidad exterior
- Manual



## Introducción: 1.2 Herramientas sugeridas

Lentes de seguridad .....



Guantes de trabajo .....



Llaves ajustables .....



Destornillador: Philips y Flathead .....



Juego de llaves Allen — Estándar .....



Llave de torsión .....



Brocas y brocas, sierra de corona de 3 ” .....



Adaptador R410A .....



Bomba aspiradora .....



Pinza en amperímetro .....



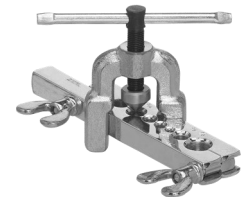
Nivel .....



Cortatubos .....



Herramienta de abocardado R410A .....



Calibre de micrones .....



## Precauciones generales de seguridad: 2.0

*Leer antes de la instalación. La instalación incorrecta puede causar daños o lesiones graves.*

### **⚠ WARNING**

El riesgo de descarga eléctrica puede provocar lesiones o la muerte. Desconecte todas las fuentes de alimentación eléctricas remotas antes de dar servicio e instalar.

El aparato debe instalarse de acuerdo con las normas de seguridad eléctrica locales y los códigos eléctricos nacionales (NEC).

La unidad debe estar correctamente conectada a tierra durante la instalación para evitar descargas eléctricas.

La fuente de alimentación de la unidad exterior debe ser un circuito independiente, dedicado y con conexión a tierra. Una capacidad eléctrica insuficiente puede provocar una descarga eléctrica o un incendio.

Asegúrese de utilizar el calibre de cable adecuado según la corriente nominal.

No modifique la longitud del cable de alimentación ni utilice un cable de extensión con la unidad.

Si el cable de alimentación está dañado, debe ser reemplazado por el fabricante, un agente de servicio o personas calificadas de manera similar para evitar un peligro.

### **⚠ CAUTION**

No instale la unidad cerca de materiales combustibles o en un lugar expuesto a gases combustibles.

Se recomienda que la longitud de las líneas de cobre entre la unidad interior y la unidad exterior sea inferior a 7,5 metros (24,6 pies). Las eficiencias del aire acondicionado se verán afectadas negativamente si la longitud de las líneas excede esa distancia.

Se recomienda que los adultos operen este aparato. Los niños deben ser supervisados cuando operan o aprenden a usar este aparato.

Instale la tubería de drenaje de acuerdo con las instrucciones de este manual. Un drenaje inadecuado puede dañar su propiedad.

No se recomienda instalar el aire acondicionado en lugares húmedos como lavanderías o baños, ya que una exposición excesiva al agua puede provocar un cortocircuito en los componentes eléctricos.

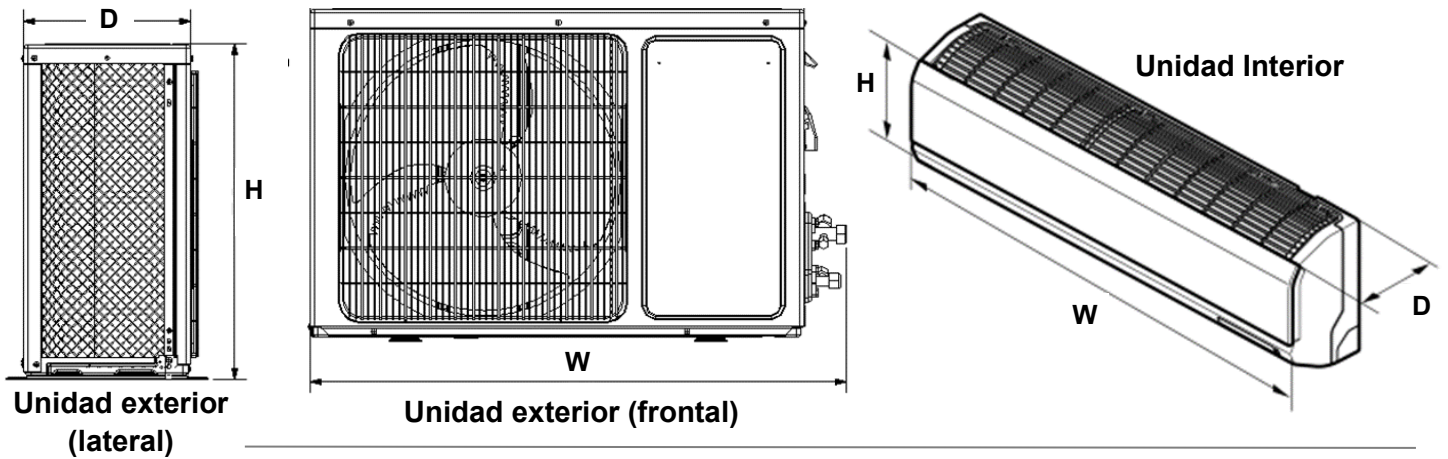
Cuando cargue refrigerante en el sistema, asegúrese de cargarlo en estado líquido si el refrigerante del aparato es R410A. De lo contrario, la composición química del refrigerante (R410A) puede cambiar y afectar negativamente el rendimiento del aire acondicionado.

La temperatura del circuito de refrigerante será alta. Mantenga el cable de interconexión alejado del tubo de cobre.

Utilice únicamente piezas y accesorios proporcionados o aprobados por la fábrica durante la instalación y / o reparación.

## Dimensiones: 3.0

Número de modelo	Peso de la unidad interior	Peso de la unidad exterior	Ancho de la unidad interior (W)	Altura de la unidad interior (H)	Profundidad de la unidad interior (D)	Ancho de la unidad exterior (W)	Altura de la unidad exterior (H)	Profundidad de la unidad exterior (D)
H12E1	21.0 lbs	78.0 lbs	33.5"	11.0"	8.50"	32.0"	23.0"	11.0"
H12HP1A	20.0 lbs	65.0 lbs	32.0"	11.0"	8.50"	28.0"	19.0"	10.0"
H12HP2A	20.0 lbs	65.0 lbs	32.0"	11.0"	8.50"	28.0"	19.0"	10.0"
H18E2	32.0 lbs	99.0 lbs	44.5"	12.5"	9.50"	34.0"	26.0"	12.5"
H18HP2A	28.0 lbs	86.0 lbs	36.0"	12.5"	9.50"	32.0"	24.0"	11.5"
H24HP2A	33.0 lbs	110.0 lbs	43.0"	12.5"	9.50"	37.0"	26.5"	12.5"



### Instalación de la unidad interior: 4.1 Seleccionar ubicación

Skill Level 1

Al seleccionar la ubicación para la unidad interior, se recomienda que:

- permite la máxima circulación de aire
- tiene una ubicación de drenaje conveniente
- el área no causa problemas de ruido para otras personas
- está sobre una estructura (pared) lo suficientemente fuerte para soportar su peso
- está al menos a 90 cm de todos los demás dispositivos eléctricos (computadora, TV, radio, etc.)
- está ubicado donde la tubería y el orificio de la pared se pueden colocar fácilmente - evitando los montantes de la pared al perforar un orificio de 3"

**Asegúrese de evitar la instalación cerca de:**

- fuentes de calor, vapor o gases combustibles
- materiales inflamables como cortinas
- obstáculos que potencialmente bloquearían la circulación del aire
- áreas con luz solar directa
- puertas

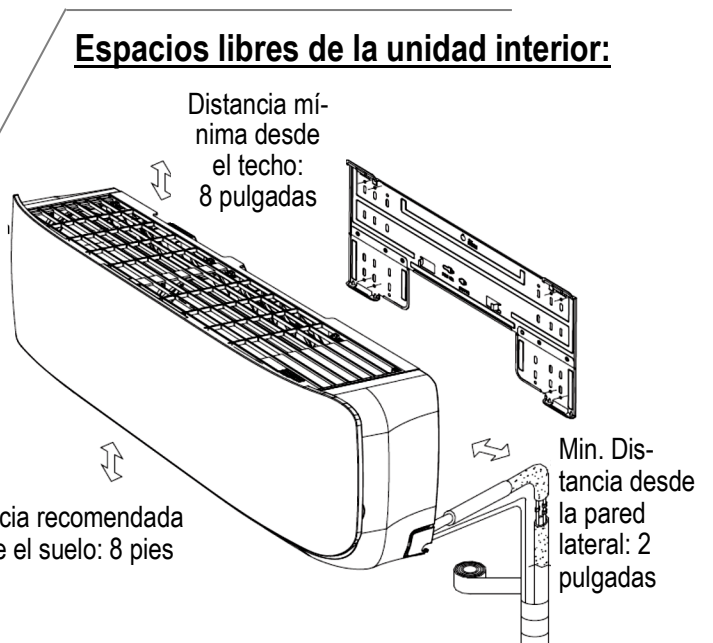
#### Espacios libres de la unidad interior:

Distancia mínima desde la pared lateral: 2 pulgadas

Distancia recomendada desde el suelo: 8 pies

Distancia mínima desde el techo: 8 pulgadas

Min. Distancia desde la pared lateral: 2 pulgadas



**Colocación de la placa de montaje:**

Retire la placa de montaje, ubicada en la parte posterior de la unidad interior.

Determine la ubicación para la placa de montaje de acuerdo con la ubicación deseada de la unidad interior y de acuerdo con las recomendaciones de ubicación en la página anterior — Fig. 4.1.

Ubique la placa de modo que se sujete al menos a un montante de pared para un montaje resistente. Nota: se recomiendan anclajes de tornillo de alta resistencia cuando se fija la placa a la placa de roca solamente, bloque, ladrillo, etc.

Asegúrese de que la placa de montaje esté horizontal y nivelada.

Marque el centro de la unidad interior en la placa de montaje para referencia futura. Nota: el centro del soporte de montaje puede no ser el centro de la unidad interior.

Utilice un mínimo de 6 tornillos de montaje espaciados uniformemente para soportar adecuadamente el peso de la unidad interior. (tornillos de montaje y anclajes no incluidos)

Apriete firmemente todos los tornillos y asegúrese de que la placa esté ajustada a la pared.

**Notas:**

La forma de la placa de montaje puede diferir de la ilustración anterior, pero los pasos de instalación siguen siendo los mismos.

Asegúrese de que la parte superior de la placa de montaje esté nivelada antes de anclarla a la pared.

Consulte la Fig. 4.2 a continuación para conocer los espacios libres de la placa de montaje.

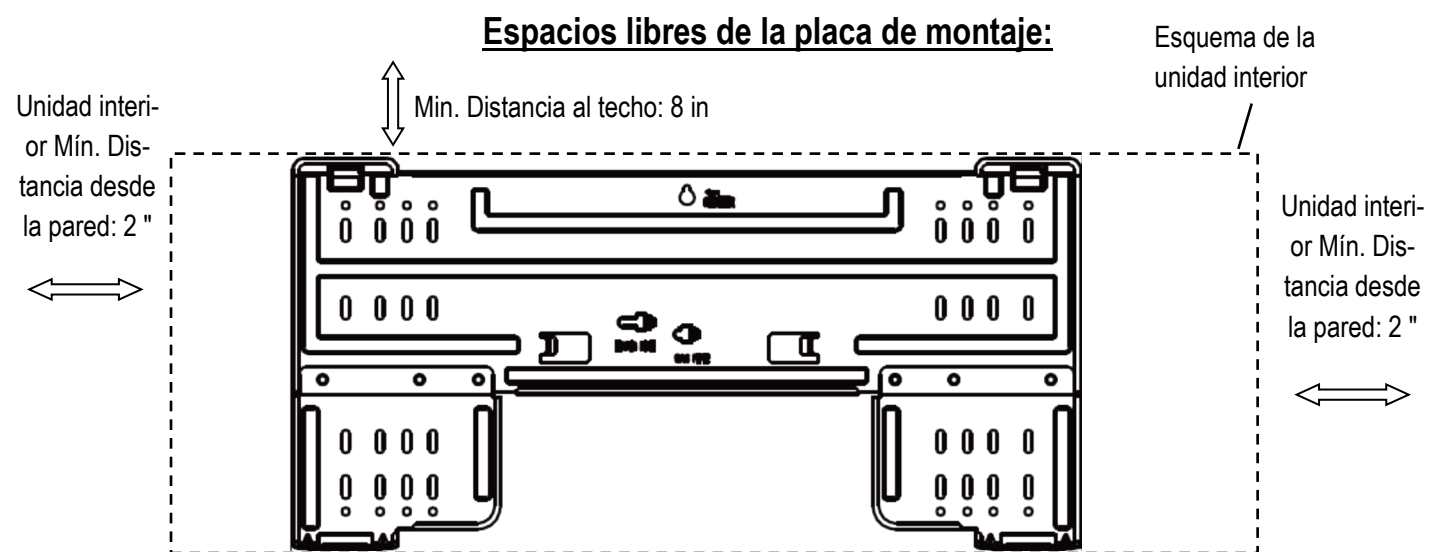
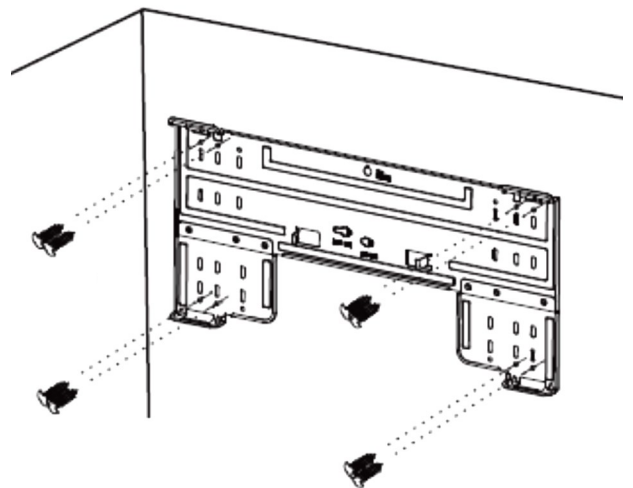


Fig. 4.2

**CAUTION**

Cuando taladre un orificio en la pared, asegúrese de evitar los cables eléctricos, la plomería y los montantes de la pared.

**Perforación de un orificio a través de la pared hasta el exterior:**

Es necesario perforar un orificio de 3" en la pared para pasar la tubería de refrigerante, el tubo de drenaje y el cable de señal a través de la pared hacia el exterior.

Determine la ubicación del orificio de 3" según la ubicación de la placa de montaje. Consulte la Fig. 4.3 en esta página para conocer la ubicación exacta del orificio según el tamaño de la unidad. Nota: La parte inferior del orificio de 3" no debe caer por debajo del borde inferior del soporte de montaje en pared. Dejar caer el orificio más abajo que el borde inferior hará que la unidad interior no cubra completamente el orificio. (Si cambia la posición de salida de la tubería de refrigerante, el tubo de drenaje y el cable de señal de manera diferente a la orientación preestablecida de fábrica, asegúrese de que la unidad cubra el orificio de la pared de 3" cuando sea posible).

Con una sierra de corona de 3", taladre un orificio desde la pared interior hasta el exterior del edificio. Taladre un orificio en un ligero ángulo hacia abajo hacia el exterior. Consulte la Fig. 4.3b en esta página. Nota: Si se instala a través de concreto o ladrillo, se requerirán brocas y brocas especiales.

Fig. 4.3

**Table of Wall Hole mounting dimensions**

Model Number	Dim. A	Dim. B	Dim. C
H12E1 (1 Ton)	2.75"	1.5"	3"
H12HP1A (1 Ton)	2.75"	1.5"	3"
H12HP2A (1 Ton)	2.75"	1.5"	3"
H18E2 (1.5 Ton)	6.7"	1.5"	3"
H18HP2A (1.5 Ton)	5.4"	1.5"	3"
H24HP2A (2 Ton)	6.7"	1.5"	3"

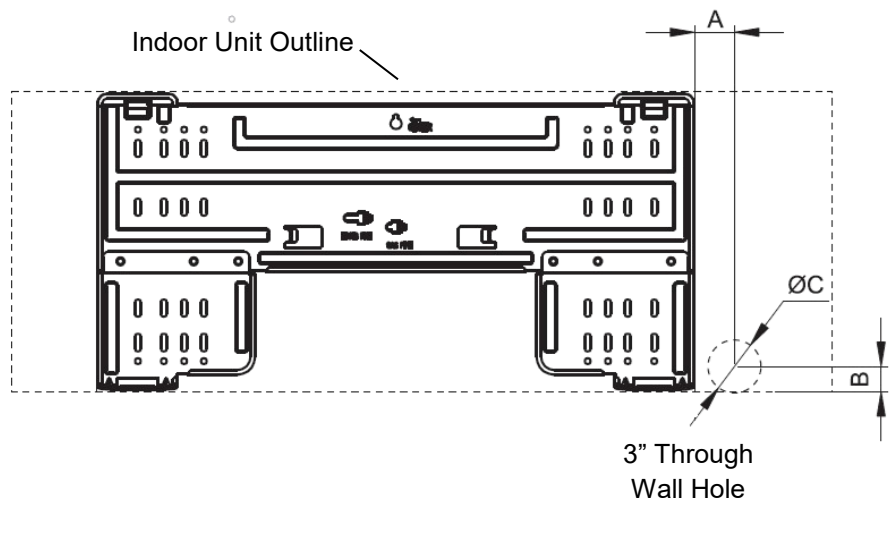
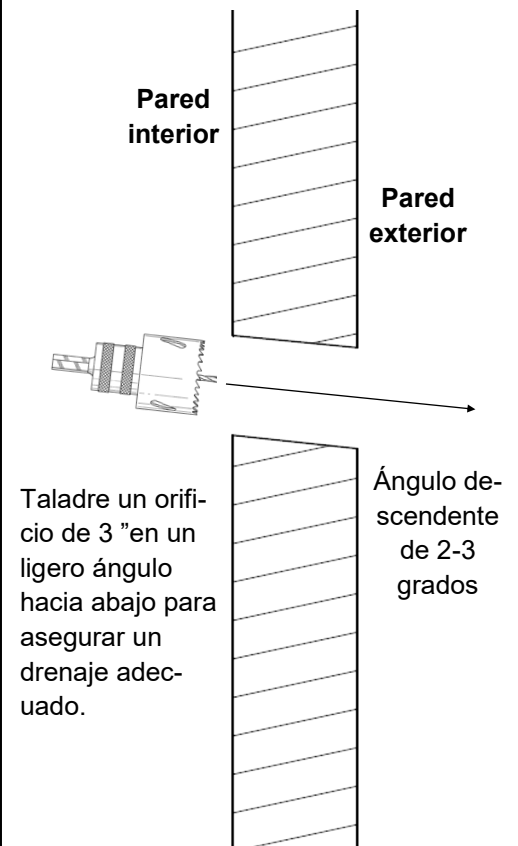


Fig. 4.3b



**CAUTION** Consulte la página de precauciones de seguridad antes de conectar cualquier cableado.

**Conexión del cable de señal a la unidad interior:**

El cable de señal permite la comunicación entre la unidad interior y la unidad exterior. Proporciona energía a la unidad interior. Este cable se proporciona con su unidad. Los extremos de los cables están preparados para conexiones rápidas.

Levante el panel de acceso frontal de la unidad interior — Fig. 4.4— para exponer la cubierta del cableado y el bloque de terminales en el lado derecho.

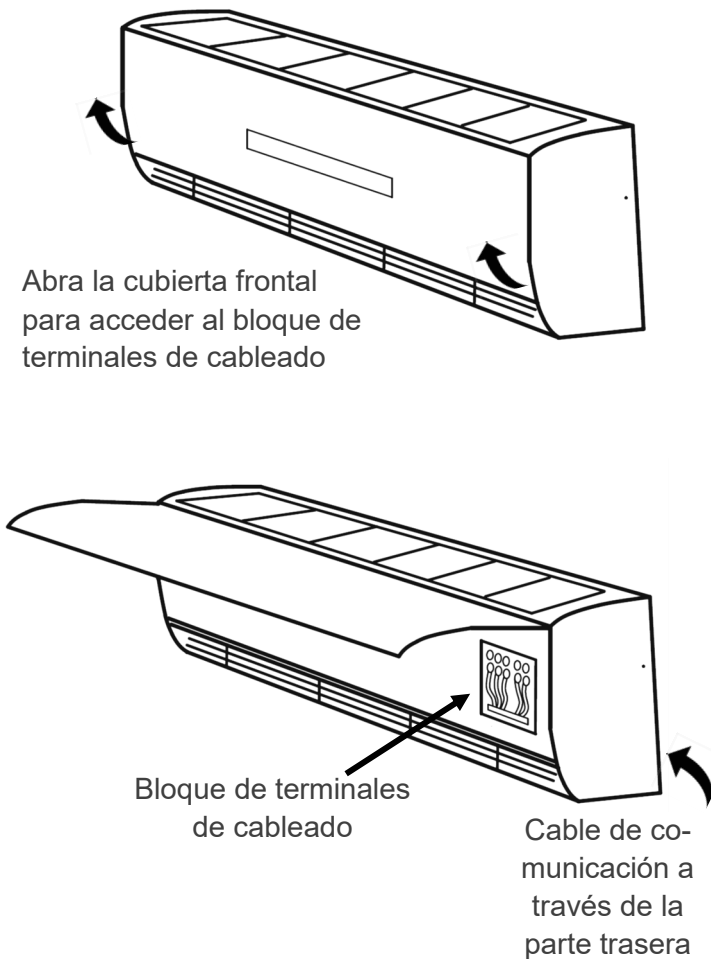
Pase el cable de señal a través de la parte posterior de la unidad interior hasta la parte frontal del bloque de terminales.

Con un destornillador, retire la cubierta de cables del bloque de terminales.

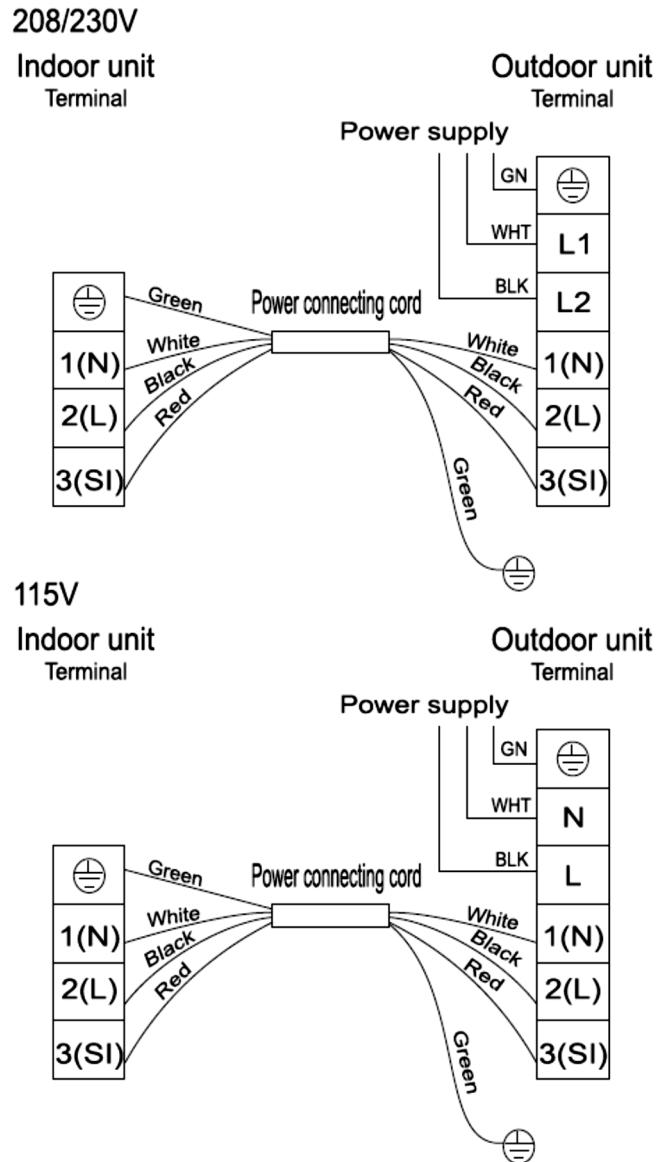
Utilizando el diagrama de cableado de la Fig. 4.4b, realice las conexiones correspondientes al bloque de terminales de la unidad interior. Nota: Asegúrese de seguir el diagrama para conocer el voltaje exacto para el que está clasificada su unidad.

Una vez que las conexiones estén seguras, vuelva a colocar la cubierta de cables y asegure el cable con la abrazadera de cable incorporada.

**Fig. 4.4: Unidad interior de vista facial**



**Fig. 4.4b: Diagrama de cableado**



**Nota:** El diagrama de cableado también se encuentra debajo de la cubierta cerca del bloque de terminales.

**Montaje de la unidad interior en la pared:**

La orientación típica (recomendada) de la tubería para fijar la unidad interior a la pared es con la tubería de refrigerante sobresaliendo directamente de la parte posterior de la unidad interior, posición A de la Fig. 4.5 a continuación. Si la tubería debe colocarse en cualquiera de las otras orientaciones (posiciones B, C, D), se utilizarán los orificios ciegos en cada extremo de la unidad y es posible que se necesiten longitudes adicionales de refrigerante, tubería de drenaje o cable de señal.

Coloque la unidad interior sobre su cara, proporcionando acceso a la parte posterior de la unidad. Ubique los extremos de las tuberías de refrigerante en la parte inferior de la unidad y dóblelos suavemente hacia arriba y hacia atrás como se muestra en la posición 3 a continuación. Tenga cuidado de no "torcer" la tubería mientras se dobla.

Localice el tubo de drenaje y el cable de señal. Pase el tubo de drenaje y el cable de señal a lo largo de la parte inferior de la tubería. Asegúrelo con cinta de vinilo (incluida).

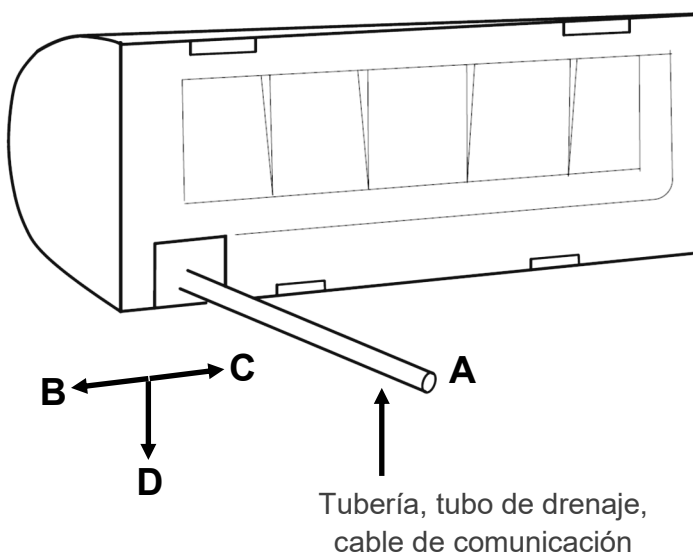
La unidad ahora está lista para ser colocada en el soporte de pared y tener conectores de tubería, tubo de drenaje y cable de señal insertados a través del orificio en la pared hacia el exterior.

Nota: La tubería de refrigerante puede salir de la unidad interior desde 4 posiciones diferentes, como se muestra en la Fig. 4.5 a continuación. La configuración predeterminada de fábrica (y la posición más común utilizada) es la posición A. Si es necesario tener la unidad de salida de la tubería en cualquier posición que no sea A, es posible que se necesiten tuberías y accesorios de refrigerante adicionales y que la tubería de drenaje deba moverse al lado opuesto. Asegúrese de reubicar e instalar el tapón de drenaje para evitar daños por agua.

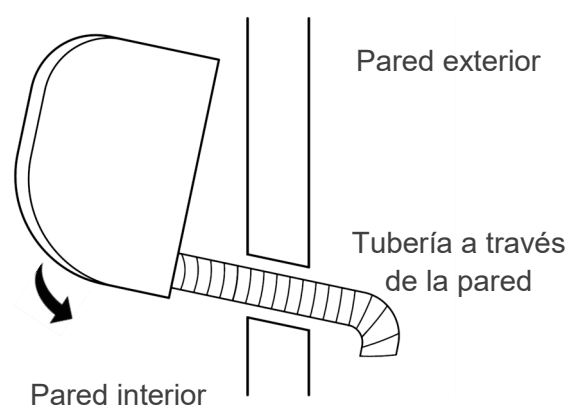
Sostenga la unidad interior contra la pared y guíe suavemente la tubería, el cable y la tubería de drenaje a través del orificio en la pared. Al mismo tiempo, incline la unidad ligeramente para enganchar la parte superior de la unidad en los ganchos de lengüeta en el borde superior del soporte de montaje en pared hasta que la unidad se apoye sobre las lengüetas. Vea la Fig. 4.5b a continuación.

Con una presión uniforme, empuje la parte frontal inferior de la unidad interior hacia la pared. Empuje uniformemente la unidad para que la unidad "encaje" en los ganchos a lo largo del borde inferior de la placa de montaje. Nota: Toda la unidad debe asegurarse en su lugar y no debe haber espacios desiguales entre la unidad interior y la pared. Asegúrese de que la unidad esté firmemente sujeta en su lugar. Hay algunos ajustes hacia la derecha o hacia la izquierda para mover ligeramente la unidad si es necesario para alinear la tubería con el orificio de 3" en la pared.

**Fig. 4.5: Unidad interior de vista trasera**



**Fig. 4.5b: Fije la unidad interior al soporte de pared**



**Conexión de la tubería de refrigerante a los extremos de la tubería de refrigerante desde la unidad interior:**

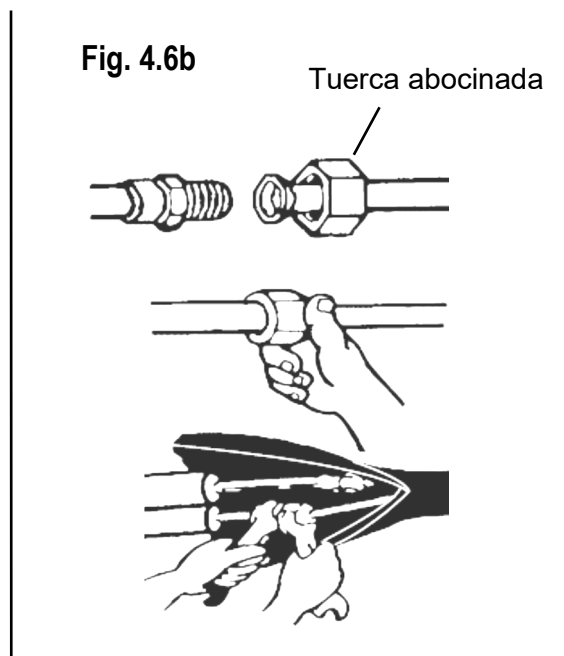
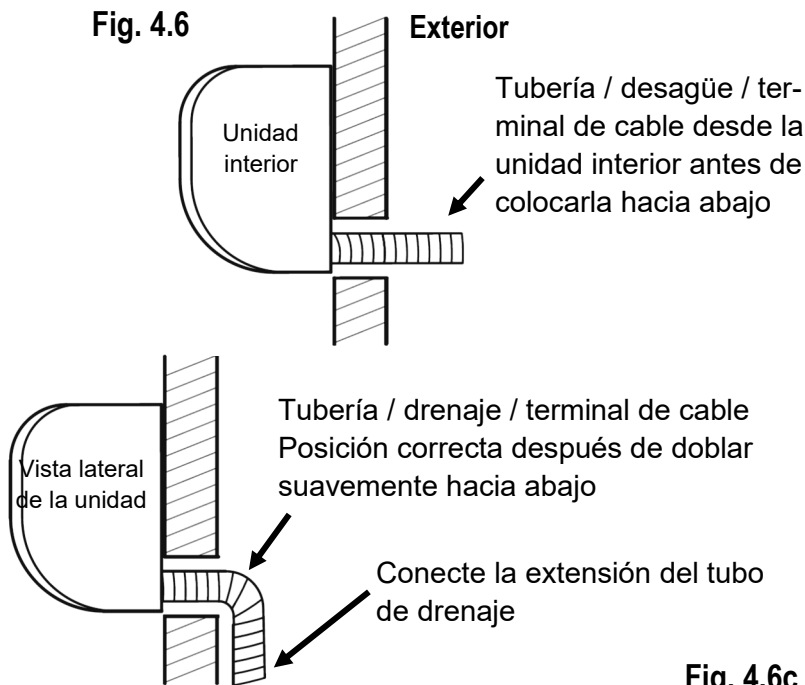
Desde el exterior de la casa, doble suavemente el tubo / desagüe / terminal de cable hacia abajo, hacia la ubicación de la unidad exterior.  
 Nota: Sostenga la tubería mientras se dobla para evitar torceduras. Mantenga el trozo de tubería lo más cerca posible de la pared exterior.

Una vez que la tubería / drenaje / terminal de cable se dobla hacia abajo, los juegos de líneas están listos para conectarse. Vea la Fig. 4.6.

Quite las tuercas ciegas de los extremos de la tubería de refrigerante en los extremos que atraviesan la pared. Nota: La línea de tubería de la unidad interior está llena de nitrógeno para la prueba de fugas de fábrica. Al retirar la tuerca ciega, se escuchará un breve sonido de "silbido". Esto es normal y el sonido desaparecerá en unos segundos. Esto no es un escape de refrigerante.

Desenrolle suavemente el juego de líneas (2 tubos) y conecte la tuerca abocinada desde el extremo del juego de líneas al extremo de la tubería de la unidad interior y apriete a mano. Haga esto para ambas líneas. Fig. 4.6b. Nota: Solo desenrolle la tubería del juego de líneas lo suficiente para llegar al suelo detrás de la unidad exterior. El exceso de tubería permanecerá en el suelo detrás de la unidad exterior.

Con dos llaves, apriete firmemente los racores en ambas líneas — Fig. 4.6b. Consulte la tabla a continuación en la Fig. 4.6c para conocer los valores de torque adecuados para evitar un apriete excesivo o insuficiente. Nota: Apretar demasiado puede deformar o dañar las líneas de cobre.



**Fig. 4.6c**

Número de modelo	Tamaño del tubo	Par de apriete	Ancho de la tuerca	Min Grosor
H12E1, H12HP1A, H12HP2A (1 Ton)	Liquid Side: 1/4"	11-15 ft/lbs	.625"	.02"
H18E2, H18HP2A (1.5 Ton)	Liquid Side: 1/4"	11-15 ft/lbs	.625"	.02"
H24HP2A (2 Ton)	Liquid Side: 3/8"	22-26 ft/lbs	.875"	.024"
H12E1, H12HP1A, H12HP2A (1 Ton)	Gas Side: 3/8"	22-26 ft/lbs	.875"	.024"
H18E2, H18HP2A (1.5 Ton)	Gas Side: 1/2"	37-41 ft/lbs	.94"	.024"
H24HP2A (2 Ton)	Gas Side: 5/8"	44-48 ft/lbs	1.1"	.024"

**Instalación de la unidad interior: 4.7 Conecte la extensión del tubo de drenaje**

Conecte la pieza de extensión del tubo de drenaje al tubo de drenaje de la unidad interior. La tubería de drenaje debe correr hacia abajo a lo largo de la tubería de refrigerante y el cable de comunicación. Figura 4.6

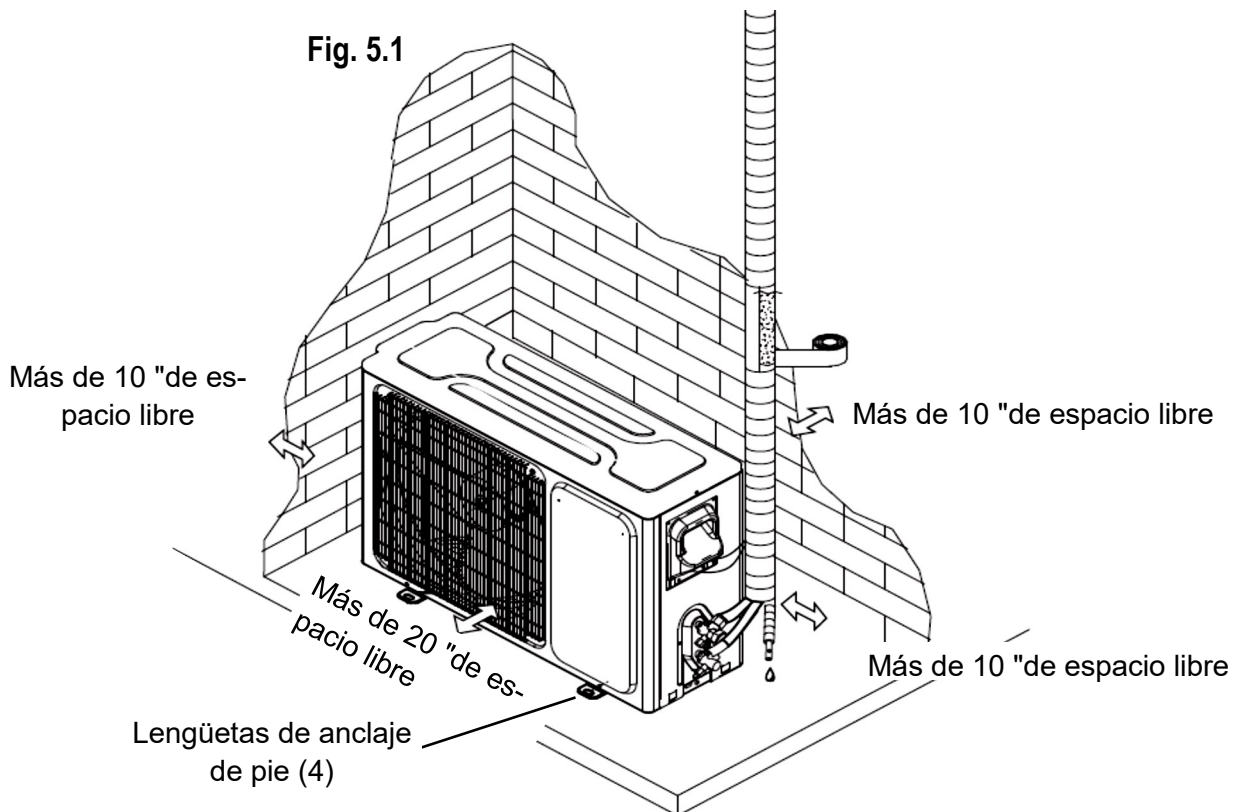
**Selección de la ubicación de la unidad exterior:**

Antes de instalar la unidad exterior, es importante elegir una ubicación adecuada. Al elegir la ubicación, la ubicación de la unidad exterior debe ser:

- En un área que cumpla con todos los requisitos de espacio libre como se muestra en la Fig. 5.1 a continuación.
- En una ubicación que se corresponda con la ubicación deseada de la unidad interior
- En zona con buena circulación de aire y ventilación.
- Firme y sólido para soportar adecuadamente la unidad y evitar vibraciones.
- Ubicado donde el ruido no molestará a los demás
- Protegido de largos periodos de luz solar directa, lluvia, inundaciones.

No lo instale en lugares cercanos a:

- Obstáculos que bloquearán la entrada o salida de aire
- Calles públicas, áreas concurridas o donde el ruido moleste a otros
- Animales o plantas que pueden resultar dañados por la descarga de aire frío o caliente.
- Fuentes de gases combustibles
- Zonas expuestas a grandes cantidades de polvo o vientos fuertes

**Instalación de la unidad exterior: 5.2 Instalación de la almohadilla / unidad de anclaje**

Una vez que decida la ubicación ideal, coloque la almohadilla en el suelo. Nota: Es importante que la almohadilla esté nivelada y sobre una superficie sólida que no se hunda.

Una vez que la almohadilla esté firmemente en su lugar y nivelada, ancle la unidad exterior firmemente a la almohadilla ajustando los tornillos a través de las lengüetas de los pies como se muestra en la Fig. 5.1. Nota: se recomienda utilizar las almohadillas de goma para los pies incluidas para reducir la vibración.

**Cable de señal de conexión:**

Retire la tapa de la caja de conexiones de cables / alambres. Consulte la figura 5.3.

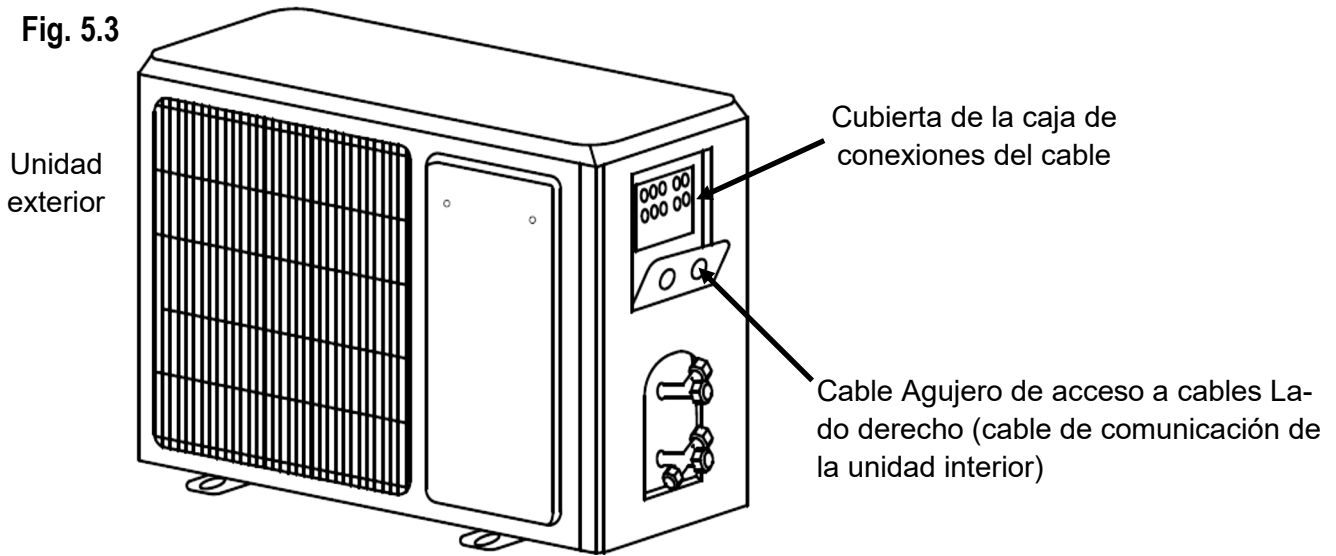
Localice los extremos del cable de señal. El cable de señal de la unidad interior correrá por el costado del exterior junto con la tubería y el tubo de drenaje.

Pase el cable de señal a través del orificio de acceso del cable del lado derecho - Fig. 5.3.

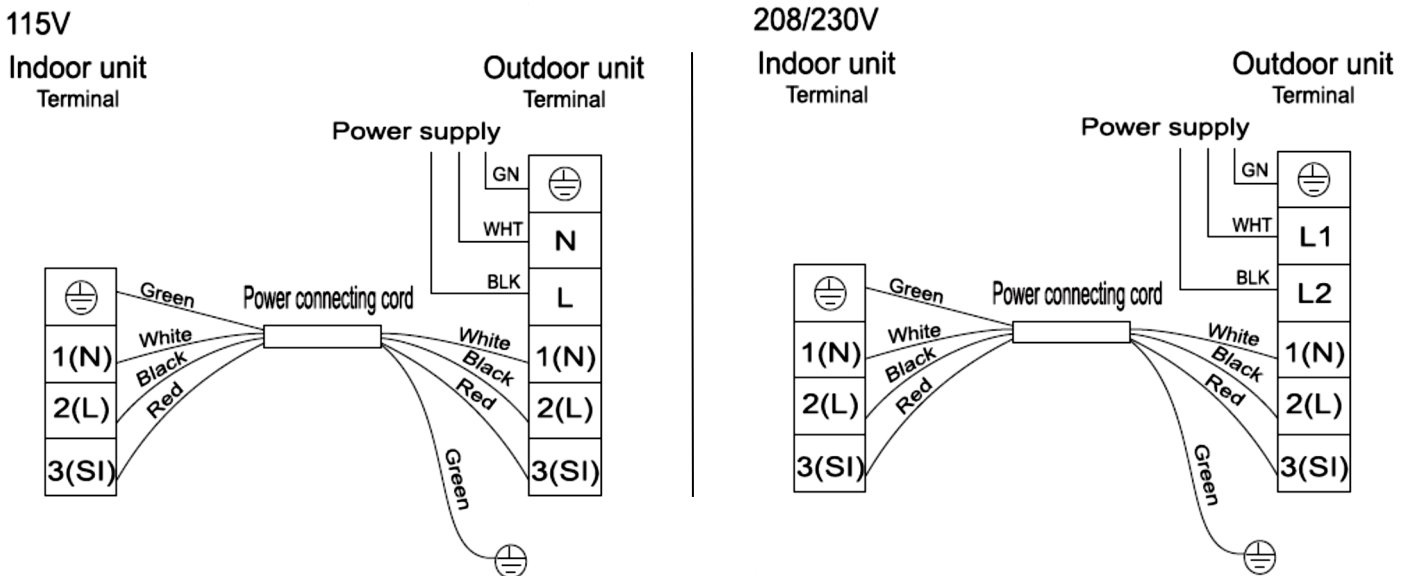
Conecte los extremos del cable de señal al bloque de terminales en el lado derecho de la caja de conexiones. Nota: Asegúrese de seguir el diagrama de conexión que se muestra a continuación en la Fig. 5.3b. Tenga cuidado de seguir el diagrama de voltaje correcto.

Asegúrese de que las conexiones sean seguras y correctas.

**Fig. 5.3**



**Fig. 5.3b: Conexiones del cable de comunicación**



**⚠ WARNING** Conexión del cable de alimentación:

- La caja de conexión eléctrica debe ser instalada por personas calificadas y se recomienda que este paso de conexión eléctrica sea realizado por personas calificadas.
- Todo el cableado debe realizarse de acuerdo con el diagrama de cableado ubicado en el interior de la tapa de la caja de conexiones y los códigos locales y nacionales.

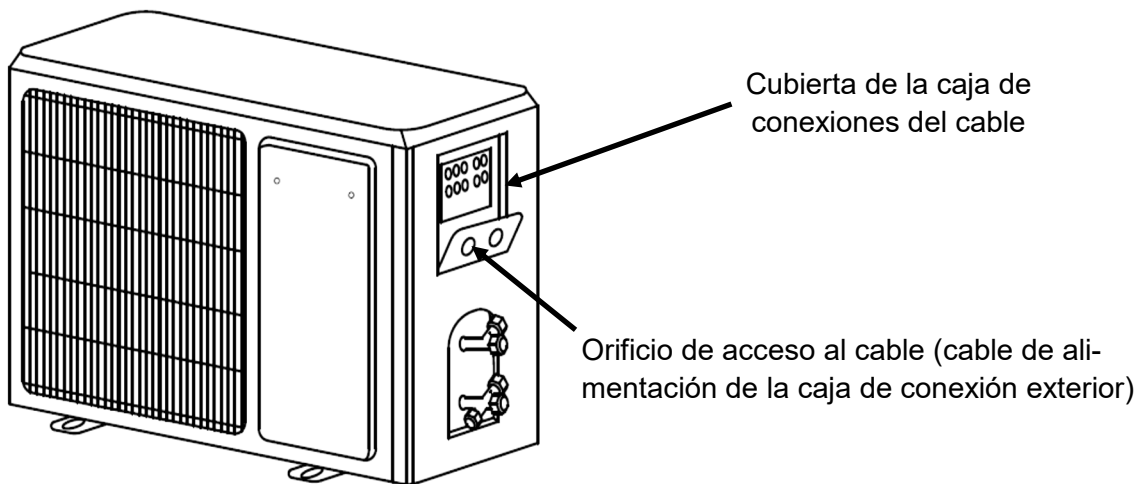
La caja de conexión eléctrica debe estar ubicada a menos de 6 pies de la unidad exterior.

Tienda el cable de alimentación para exteriores desde la caja de conexión a la unidad exterior. Pase el cable a través del orificio de acceso del cable izquierdo.

Nota: El cable de alimentación SJ se proporciona con su unidad. Consulte los códigos locales para asegurarse de que se utiliza el cable adecuado.

Asegúrese de que las conexiones sean seguras.

Fig. 5.4



Instalación de la unidad exterior: 5.5 Conexión de la tubería de refrigerante a la unidad exterior

Conexión de la tubería de refrigerante a la unidad exterior:

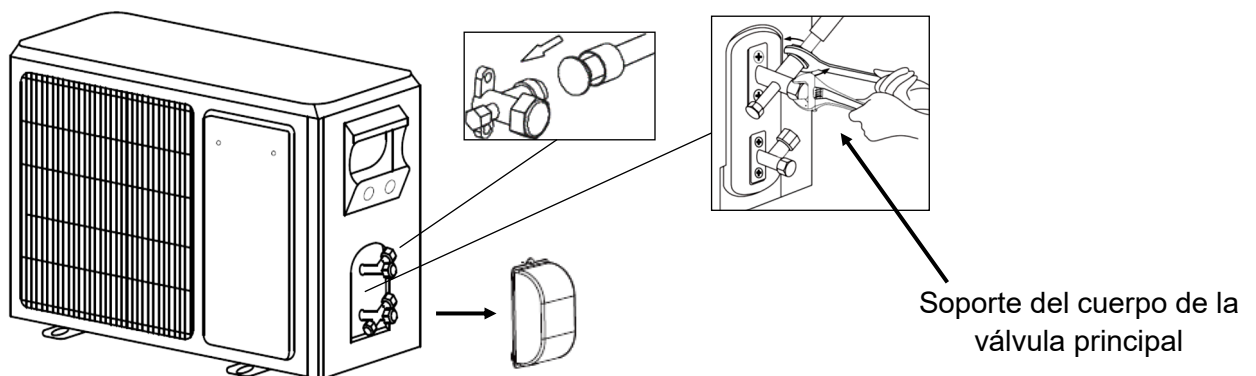
Retire la tapa de la válvula de la unidad exterior para acceder a las válvulas. Figura 5.5.

Desenrolle el conjunto de líneas aisladas lo suficiente para llegar a las válvulas.

Apriete a mano ambas líneas a las válvulas correspondientes. Nota: Una tubería de refrigerante es más pequeña que la otra, por lo que solo se puede instalar de una manera.

Apoye el cuerpo de la válvula principal con una segunda llave antes de apretar cada tuerca abocardada con una llave al par especificado. Los valores de par se muestran en la Fig. 4.6c, página 9.

Mientras sujeta firmemente la parte del cuerpo de la válvula, use una llave dinamométrica para apretar las tuercas abocardadas al par especificado.



**Precauciones:** Se recomienda que un instalador calificado realice este paso de prueba de vacío.

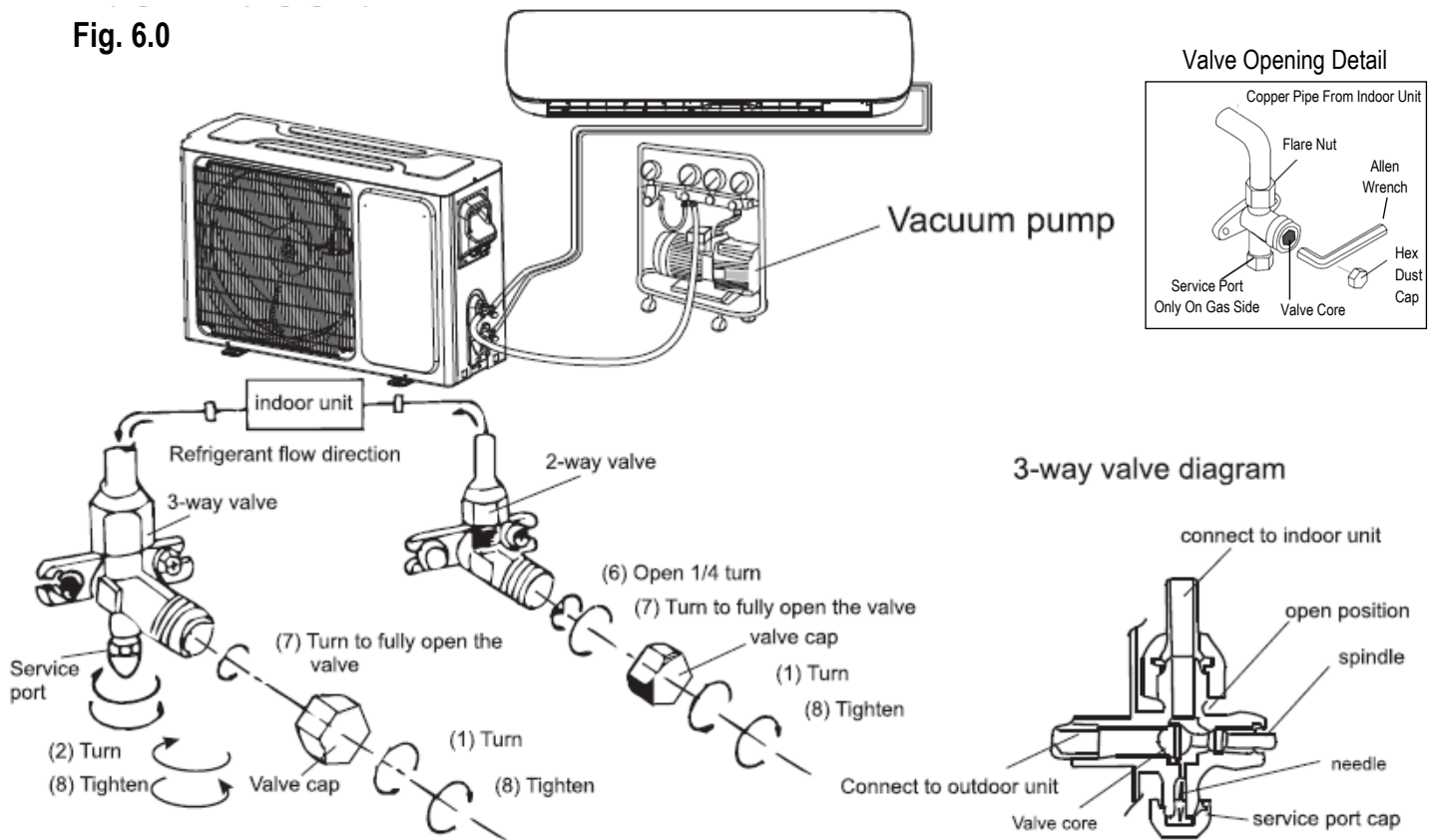
El aire y las materias extrañas en las líneas de refrigerante pueden causar picos anormales de presión que podrían dañar el aire acondicionado, reducir su eficiencia y posiblemente causar lesiones.

Asegúrese de que todas las tuberías y conexiones eléctricas sean correctas.

Libere el aire y la humedad del circuito de refrigerante usando una bomba de vacío con manómetro múltiple como se muestra a continuación. Figura 6.0. Nota: Durante la prueba inicial y la apertura de las válvulas, se producirá un "silbido" durante unos segundos. Esto es normal ya que está liberando el nitrógeno que se encuentra en las líneas. Saldrá después de unos segundos. Si continúa un sonido de liberación de aire "sibilante", deberá verificar si las conexiones de las tuberías ensanchadas están apretadas incorrectamente.

Verifique para asegurarse de que tanto las líneas de tubería como los cables eléctricos estén conectados correctamente.

**Fig. 6.0**



### Cómo aspirar tubos de aire:

1. Cómo aspirar tubos de aire:
2. Desatornille y quite las tapas de las válvulas de 2 y 3 vías.
3. Desatornille y retire la tapa de la válvula del puerto de servicio.
4. Conecte la manguera flexible de la bomba de vacío a la válvula de servicio.
5. Encienda la bomba de vacío durante 10-15 minutos hasta alcanzar un vacío de 10 mm Hg absolutos.
6. Con la bomba de vacío aún en funcionamiento, cierre la perilla de baja presión en el colector de la bomba de vacío. Detenga la bomba de vacío.
7. Abra la válvula de 2 vías, 1/4 de vuelta, luego ciérrela después de 10 segundos. Compruebe la estanqueidad de todas las juntas con jabón líquido o un detector de fugas electrónico.
8. Gire los vástagos de las válvulas de 2 y 3 vías para cerrar completamente las válvulas. Desconecte la manguera flexible de la bomba de vacío.
9. Reemplace y apriete todas las tapas de las válvulas.

## Verificaciones de seguridad eléctrica y de gas: 7.0

### Verificación eléctrica antes de la puesta en marcha:

**Skill Level 3**

Confirme que todo el cableado eléctrico se realiza de acuerdo con todos los códigos nacionales y locales, y también de acuerdo con los diagramas de cableado de este manual y los que se encuentran en las unidades.

Antes de la prueba de funcionamiento, verifique la resistencia a tierra con un probador de resistencia. La resistencia de puesta a tierra debe ser inferior a 4  $\Omega$ .

Durante la prueba de funcionamiento, utilice un multímetro para realizar una prueba de fuga eléctrica. Si se detecta una fuga eléctrica, apague la unidad, desconecte toda la energía que va a la unidad y llame inmediatamente a un electricista para resolver la causa de la fuga.

### Verificación de fugas de gas antes de la puesta en marcha:

**Skill Level 1**

Con un cepillo suave, aplique agua con jabón en todos los puntos de conexión de la tubería.

La presencia de burbujas le alertará sobre una fuga.

### Conclusión de la instalación:

**Skill Level 1**

Envuelva el juego de líneas, el cable de comunicación de la unidad interior y el tubo de drenaje con la cinta de vinilo proporcionada.

Asegúrese de que las cubiertas de acceso a la caja eléctrica y las cubiertas de acceso a las válvulas estén en su lugar.

Continúe con la lista de verificación y los procedimientos generales de puesta en marcha.

---

## Operación: 8.0 Arranque

**Skill Level 1**

### Antes de la prueba de funcionamiento:

Confirme que el sistema eléctrico sea seguro y funcione correctamente.

Asegúrese de que la unidad esté correctamente conectada a tierra.

Asegúrese de que las cubiertas eléctricas y de acceso a las válvulas estén bien colocadas.

Revise todas las conexiones de gas y confirme que no haya fugas.

Confirme que ambas válvulas estén completamente abiertas.

### Instrucciones de ejecución de prueba:

Conecte la energía a la unidad.

Espere un minuto para que la unidad se encienda cuando la encienda por primera vez.

3. Presione el botón de encendido / apagado en el control remoto para encender la unidad interior.

(Nota: habrá una demora inicial durante unos momentos cuando se encienda por primera vez).

4. Seleccione el botón de modo y seleccione las funciones de calefacción y refrigeración para confirmar que todas las funciones funcionan.

5. Verifique todas las funciones de velocidad del ventilador y las rejillas.

6. Asegúrese de que el agua drene desde el tubo de drenaje exterior en modo de enfriamiento.

Para preguntas relacionadas con las funciones detalladas del control remoto, configuración de WiFi o mantenimiento y solución de problemas, consulte el Manual del usuario, el Manual de control remoto o la hoja de instrucciones de configuración de WiFi.

Esta información y más también está disponible en línea en [www.hessaire.com](http://www.hessaire.com).