

This Owner's Manual is provided and hosted by [Appliance Factory Parts](#).



# EMPIRE RH-65-1 Owner's Manual

[Shop genuine replacement parts for EMPIRE RH-65-1](#)



[Find Your EMPIRE HVAC Parts - Select From 82 Models](#)

----- Manual continues below part list -----

## Available Replacement Parts for EMPIRE RH-65-1

<a href="#">R2702</a>	Valve (NAT) Fits RH-50, 65-5
<a href="#">RH853</a>	Burner with Bracket
<a href="#">R2605</a>	Motor
<a href="#">RH527R</a>	Glass & Frame Assy
<a href="#">R369</a>	Blower Wheel
<a href="#">R1630</a>	ECO Adapter Fits FAW-55
<a href="#">11723</a>	Diverter Assy
<a href="#">R776</a>	Thermocouple
<a href="#">R2706</a>	ECO Switch Fits RH-25, 35-5; RH-50, 65-5
<a href="#">R1156</a>	Fan Switch - 165-degree
<a href="#">R775N</a>	Pilot Burner w/ Orifice (NAT)
<a href="#">R775L</a>	Pilot Burner w/ Orifice (LP)
<a href="#">RH830</a>	Pilot Tubing Fits RH-65-6, RH-65C-1
<a href="#">RH662</a>	Electrode & Wire
<a href="#">R8195</a>	Eco Wire Fits RH 50,60-6
<a href="#">R9760</a>	Piezo Igniter -
<a href="#">R2091</a>	Wire Harness - Fan
<a href="#">RH457</a>	Air Shutter Bracket
<a href="#">P8631</a>	Burner Orifice (NAT) (P86-31N)
<a href="#">R777L</a>	Pilot Orifice (LP)
<a href="#">RH802</a>	Down Draft Shield
<a href="#">P8647</a>	Orifice, Main Burner, Copper (LP)
<a href="#">P86230</a>	Orifice, Main Burner, Copper (LP)
<a href="#">R587</a>	Gasket - Motor Mounting
<a href="#">R896</a>	Bushing
<a href="#">UH441</a>	Vent Safety, ECO Switch Cover
<a href="#">DV807</a>	Switch Box Cover

# PARTS LIST RH-50 & RH-65

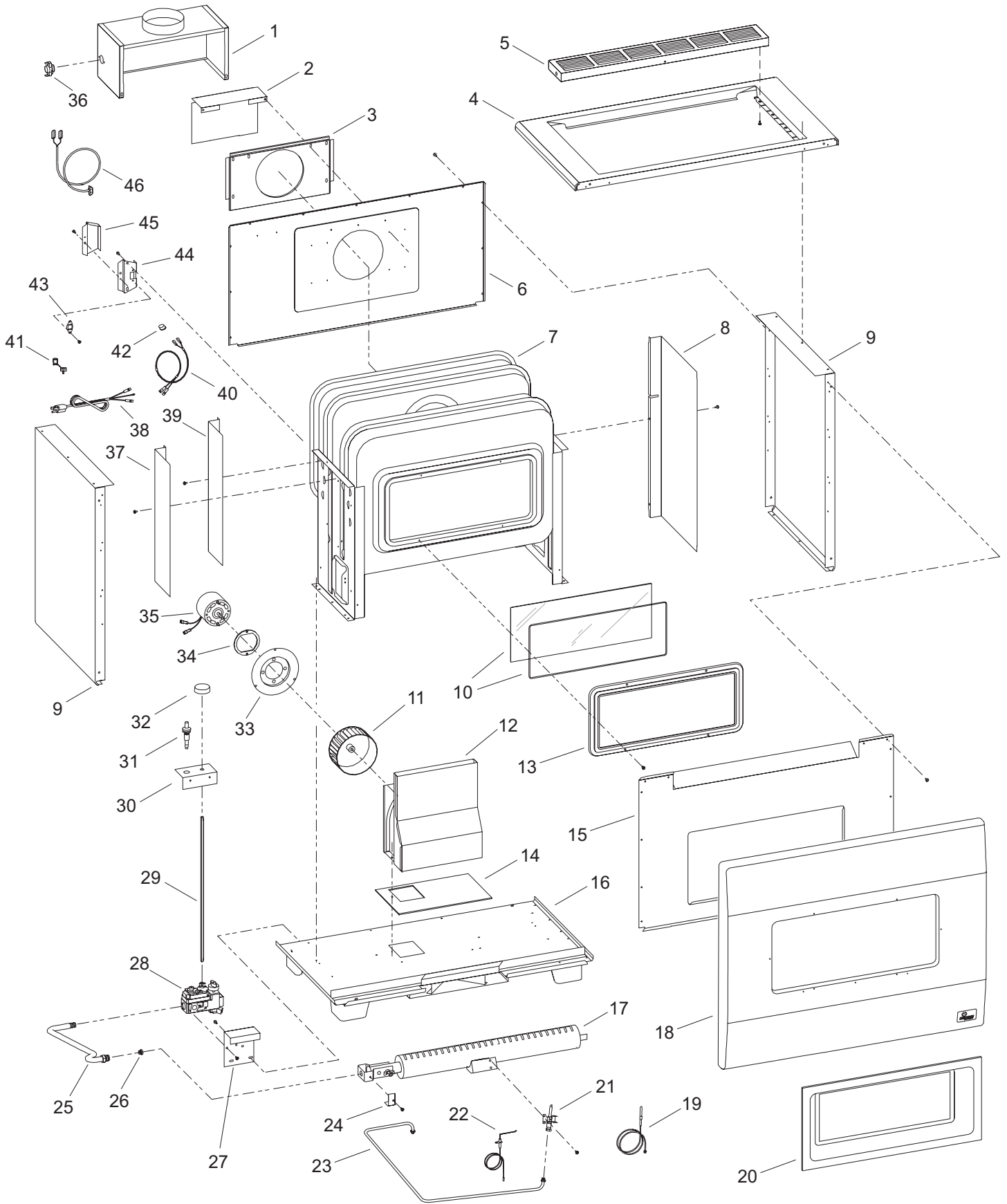
**PLEASE NOTE:** When ordering parts, it is very important that part number and description of part coincide.

Index No.	Part No.	Description
1	11723	Diverter Assembly
2	RH802	Down Draft Shield (RH-50-7 NAT & LPG-RH-65-7 NAT)
2	RH851	Down Draft Shield (RH-65-7 LPG)
3	11724	Draft Diverter Plate
4	11719	Casing Top (RH-50-7)
4	11720	Casing Top (RH-65-7)
5	11707	Louver (RH-50-7, 3 required) (RH-65-7, 4 required)
6	11745	Casing Back
7	RH652	Combustion Chamber Assembly (RH-50-7)
7	RH626	Combustion Chamber Assembly (RH-65-7)
8	RH654	Chamber Shield - Right (RH-50-7)
8	RH655	Chamber Shield - Right (RH-65-7)
9	11721	Casing Side (RH-50-7)
9	11722	Casing Side (RH-65-7)
10	RH060	Radiant Glass with Rope Gasket
11	R369	Blower Wheel
12	11727	Blower Housing and Chute Assembly
13	RH520	Glass Frame Assembly
14	RH138	Blower Cushion
15	RH618	Inner Front
16	11725	Casing Bottom Assembly (RH-50-7)
16	11726	Casing Bottom Assembly (RH-65-7)
17	RH853	Burner
18	32289	Casing Front with Heat Shield
19	R776	Thermocouple
20	RH620	Pouch
21	R775L	Pilot Burner with Orifice (LPG)
21	R775N	Pilot Burner with Orifice (Nat)
22	RH662	Electrode and Wire Assembly
23	RH829	Pilot Tubing (RH-50-7)
23	RH830	Pilot Tubing (RH-65-7)
24	RH457	Air Shutter Bracket
25	P206	Manifold Assembly (RH-50-7)
25	P207	Manifold Assembly (RH-65-7)

Index No.	Part No.	Description
26	P86370	Main Burner Orifice (RH-65-7 Nat)
26	P8631	Main Burner Orifice (RH-50-7 Nat)
26	P86230	Main Burner Orifice (RH-65-7 LPG)
26	P8647	Main Burner Orifice (RH-50-7 LPG)
27	RH856	Valve Bracket
28	R2702	Gas Valve (Nat)
28	R2703	Gas Valve (LPG)
29	31880	Control Rod
30	RH832	Control Rod Bracket
31	R2708	Piezo Ignitor
32	R367	Knob
33	11728	Motor Mounting Plate
34	R587	Motor Cushion
35	R2605	Motor
36	R2706	Eco Switch
37	RH653	Chamber Shield - Left
38	R2099	Cord Set
39	RH656	Chamber Shield - Rear
40	R2091	Wire Assembly
41	R1468	Strain Relief Bushing
42	R896	Bushing
43	R1156	Fan Control Switch
44	RH863	Switch Box Assembly
45	DV807	Switch Box Cover
46	R8195	ECO Wire Assembly
Not Shown	R777N	Pilot Orifice .011 (Nat)
Not Shown	R777L	Pilot Orifice .008 (LPG)
Not Shown	RH527	Glass and Frame Assembly (Includes 10 and 13)
Not Shown	R1630	ECO Adapter
Not Shown	UH441	Vent Safety Switch/ECO Hole Cover Plate

USE ONLY MANUFACTURER'S REPLACEMENT PARTS. USE OF ANY OTHER PARTS COULD CAUSE INJURY OR DEATH.

# PARTS VIEW RH-50 & RH-65



# PARTS LIST RH-50C & RH-65C

**PLEASE NOTE:** When ordering parts, it is very important that part number and description of part coincide.

Index No.	Part No.	Description
1	11723	Diverter Assembly
2	RH802	Down Draft Shield (RH-50C-2 NAT & LPG)
2	RH851	Down Draft Shield (RH-65C-2 NAT & LPG)
3	11724	Draft Diverter Plate
4	11719	Casing Top (RH-50C-2)
4	11720	Casing Top RH-65C-2)
5	11707	Louver (RH-50C-2, 3 Required) (RH-65C-2, 4 Required)
6	11745	Casing Back
7	11741	Combustion Chamber Assembly (RH-50C-2)
7	11742	Combustion Chamber Assembly (RH-65C-2)
8	RH654	Chamber Shield - Right (RH-50C-2)
8	RH655	Chamber Shield - Right (RH-65C-2)
9	11721	Casing Side (RH-50C-2)
9	11722	Casing Side (RH-65C-2)
10	RH618	Inner Front
11	RH625	Bottom Reflector (RH-50C-2)
11	RH660	Bottom Reflector (RH-65C-2)
12	RH624	Rear Shield
13	32279	Casing Bottom Assembly (RH-50C-2)
13	32779	Casing Bottom Assembly (RH-65C-2)
14	RH853	Burner
15	11755	Casing Front Assembly (USA)
15	15675	Casing Front Assembly (Canada)
16	R776	Thermocouple
17	R775L	Pilot Burner with Orifice (LPG)
17	R775N	Pilot Burner with Orifice (NAT)
18	RH662	Electrode and Wire Assembly

Index No.	Part No.	Description
19	RH829	Pilot Tubing (RH-50C-2)
19	RH830	Pilot Tubing (RH-65C-2)
20	RH457	Air Shutter Bracket
21	P206	Manifold Assembly (RH-50C-CB-2)
21	P207	Manifold Assembly (RH-65C-2)
22	P86-3.7mm	Main Burner Orifice (RH-65C-2 NAT)
22	P8631	Main Burner Orifice (RH-50C-2 NAT)
22	P86-2.3mm	Main Burner Orifice (RH-65C-2 LPG)
22	P86-47	Main Burner Orifice (RH-50C-2 LPG)
23	RH856	Valve Bracket
24	R2702	Gas Valve (NAT)
24	R2703	Gas Valve (LPG)
25	31880	Control Rod
26	RH832	Control Rod Bracket
27	R6096	Knob & Adaptor Set
28	11722	Casing Side (RH-65C-2)
28	11721	Casing Side (RH-50C-2)
29	RH653	Chamber Shield - Left
30	RH656	Chamber Shield - Rear
31	R8195	ECO Wire Assembly
32	R2706	Eco Switch
Not Shown	R777N	Pilot Orifice .011 (NAT)
Not Shown	R777L	Pilot Orifice 0.008 (LPG)
Not Shown	R1630	ECO Adaptor
Not Shown	UH441	Vent Safety Switch/ECO Hole Cover Plate

USE ONLY MANUFACTURER'S REPLACEMENT PARTS. USE OF ANY OTHER PARTS COULD CAUSE INJURY OR DEATH.

# PARTS VIEW RH-50C & RH-65C

