

This Owner's Manual is provided and hosted by [Appliance Factory Parts](http://Appliance Factory Parts).



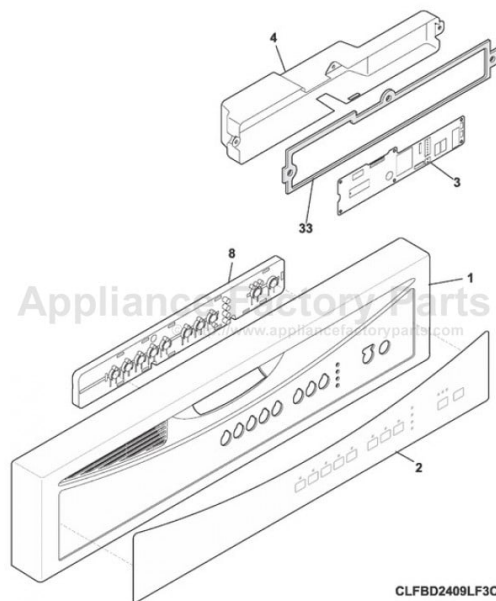
# FRIGIDAIRE LFBD2409LF3C Owner's Manual

[Shop genuine replacement parts for FRIGIDAIRE LFBD2409LF3C](#)

Publication No: 5995663813

LFBD2409LF3C

CONTROL PANEL



07/15

2

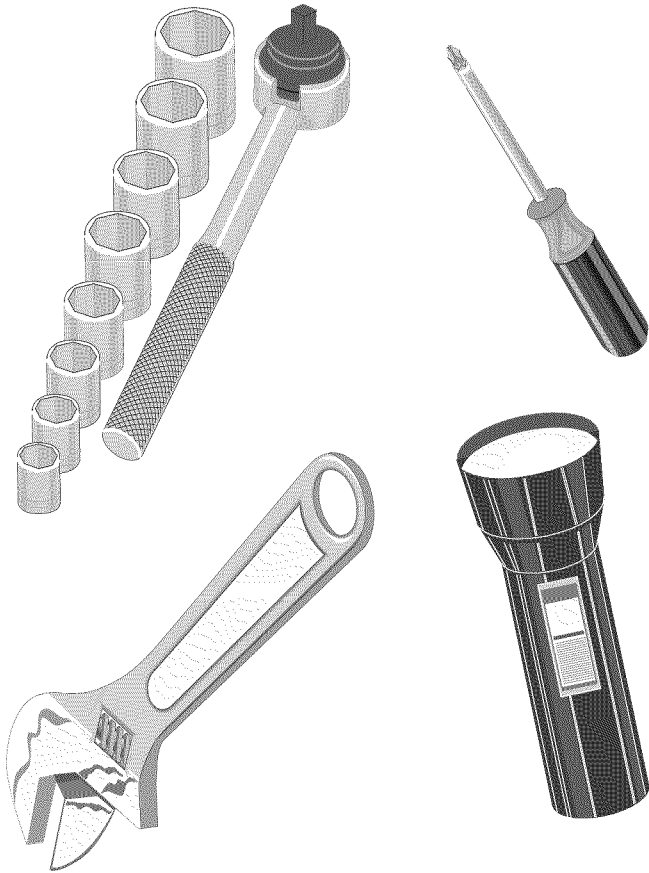
[Find Your FRIGIDAIRE Dishwasher Parts - Select From 369 Models](#)

----- Manual continues below -----

# Dishwasher

## Installation

## Instructions



**INSTALLER:** Leave *Installation Instructions* with owner.

**OWNER:** Read your dishwasher *Use and Care Manual*. It contains important safety information for operating this appliance. It also has many suggestions for getting the best results from your dishwasher.

Printed in U.S.A.

PN: 154427301/G  
AW: 154427301/007  
5/14

## Before You Begin

Read all instructions before installing dishwasher.

For your safety, please read and observe all safety instructions. This guide will help you anticipate drain, water, and electrical connections, and help you select the best location for the dishwasher.

## ! WARNING

### Tip Over Hazard

Do not use dishwasher until completely installed.

Do not push down on open door

## Parts You Will Need\* (Not Included)

- Drain Hose Clamp, 1 $\frac{1}{4}$ " Diameter
- Elbow, 90° with a  $\frac{3}{8}$ " National Pipe Thread or  $\frac{3}{4}$ " Hose Fitting
- Conduit Connector
- Wire Nuts, two (2) for 12-14 gauge wire
- Plumbers Tape

### \* If required:

- "Y" Branch Tailpiece and Connector Kit (**See Step 4**)
- Air Gap Kit (**See Step 4**)
- Fasteners for floor anchoring (**See Step 9**)

### Available at:

Plumbing Supply  
Plumbing Supply  
Hardware Store

**NOTE:** Recommended to use Stainless Steel braded

## ! WARNING



### Electric Shock Hazard

Disconnect electrical power at the fuse box or circuit breaker box before beginning installation. Failure to follow this warning could result in electric shock or serious injury.

- Examine dishwasher and locate connections. *See Step 4.*
- Locate dishwasher where there is easy access to hot water, and electrical lines. The best location is on the right side of the kitchen sink for access to existing plumbing in loading dishes. *See Step 4.*
- Electrical, water, and drain connections are not the same for all age, brands, or models of dishwashers. Check the location and length of home utilities. *See Step 4.*
- A 15-20 amp, grounded, 120 volt AC only, electrical circuit is required. *See Steps 4 and 8.*
- If dishwasher drain hose will be connected to a food disposer for the first time, knock out plug located in the disposer inlet. *See Steps 4 and 6.*
- Kinked water or drain hoses can cause problems. *See Step 6.*
- Dishwashers need to be connected to a hot water supply with enough water pressure to insure an adequate flow. *See Steps 4 and 7.*
- Each home installation differs. You will need additional parts listed above to complete your installation. *See Steps 4 and 7.*
- Flush water line prior to making the final connection to prevent clogging of dishwasher's filter screen. *See Step 4.*
- The dishwasher will look, sound, and perform best when properly leveled. *See Step 5.* (NOTE: If levelers are removed during installation, make sure the floor is free of any obstruction.)
- Anchor the dishwasher. *See Step 9.*

## Installation Preparation

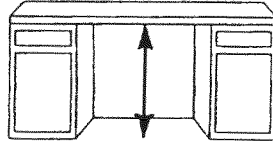
1. Remove two (2) screws at front of the kickplate assembly using a #2 Phillips screw driver.
2. Tilt and pull forward to remove. **See Figure 1.**

**NOTE:** It is not necessary to remove the outer door for installation. However, you might find it more convenient to do so. You can find directions for removing door in Step 10.

# Leveling Dishwasher within Cabinets

# 5

1. Measure height of cabinet opening from underside of countertop to floor. Check chart for height opening and suggested adjustment.

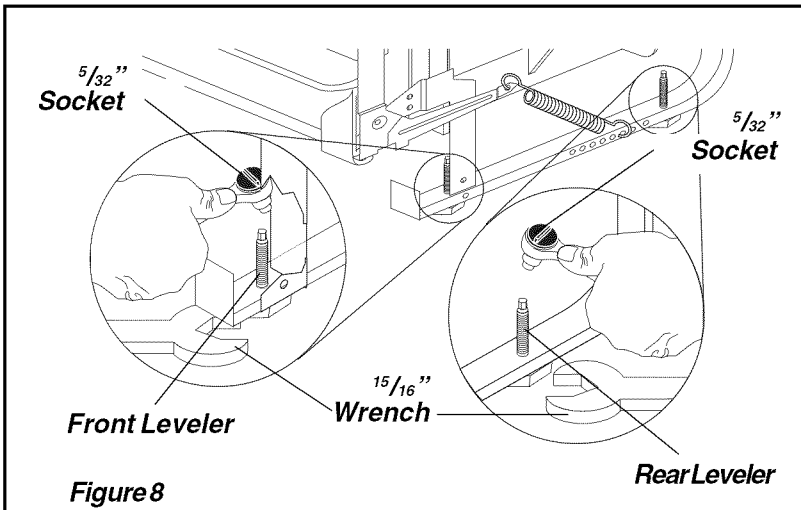


**Leg Leveler Adjustment Chart**

Height of Cabinet Opening	Number of Turns to Adjust Levelers
34" (86.4cm)	0
34 <sup>1</sup> / <sub>8</sub> " (86.7cm)	2
34 <sup>5</sup> / <sub>16</sub> " (87.2cm)	6
34 <sup>1</sup> / <sub>2</sub> " (87.6cm)	9

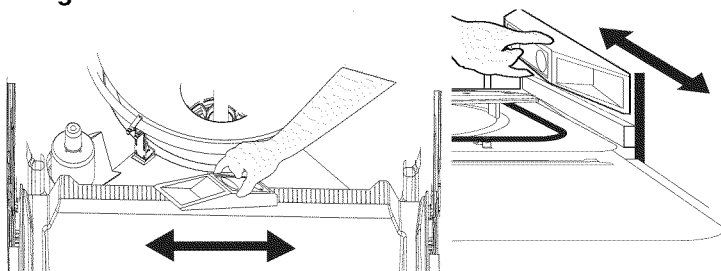
For additional height add shims under levelers.

2. Move dishwasher to front of installation area.
3. Loosen the front and rear leveling legs by turning counterclockwise. Refer to chart for number of turns. See **Figure 8**. Front levelers should allow <sup>1</sup>/<sub>4</sub>" below underside of countertop.



**Figure 8**

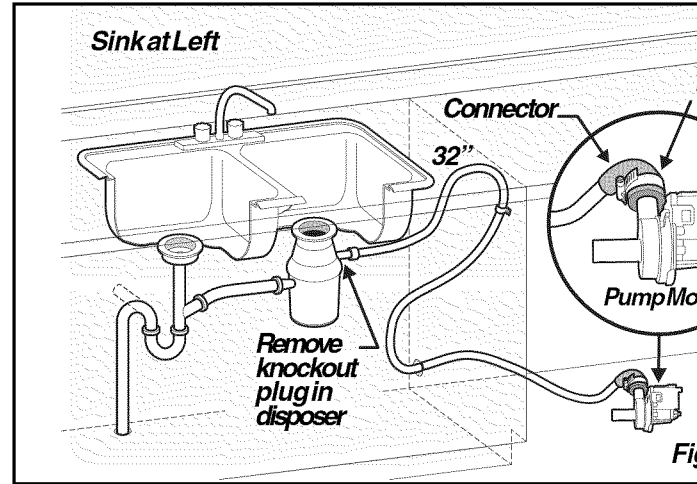
4. If levelers have to be removed, make sure floor is free of obstructions.
5. Place dishwasher inside cabinet area so that it is centered in opening. Use caution when moving dishwasher to prevent damage to dishwasher, floor, and cabinets.
6. Remove lower rack to check that dishwasher is level from side to side by placing a level on the bottom of the inner door. See **Figure 9a**.



**Figure 9a**

**Figure 9b**

7. Remove lower rack to check that dishwasher is level from front to back by placing the level at the bottom of the tub at the lower rack wheel support. See **Figure 9b**.
8. Adjust levelers up or down until dishwasher is level.



The drain hose loop must be at least 32" high from the floor to insure proper drainage.

## Finishing the Water Connection

### CAUTION

#### Property Damage

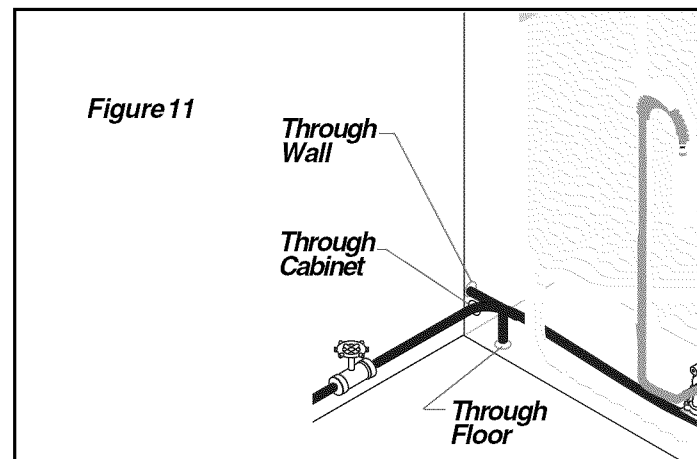
Do not solder within 6" of the water inlet valve. Damage to the plastic parts in the valve may occur.

Use care that no sealer, dirt, or other objects enter the valve. Damage to the filter screen may occur.

Be sure the dishwasher is placed where the water inlet valve will be kept from freezing. If the valve freezes, it may cause flooding and flooding may occur.

### Water Line

1. Flush water line before connecting it to water inlet valve to prevent early clogging of filter screen. Place a bucket over end of line to prevent splashing. Open water supply for a few seconds and let water drain into a pan. **Turn off supply at shut-off valve.**



**Figure 11**

2. Route water line to water inlet valve as shown in **Figure 11**.
3. While firmly pulling water supply line into 90° elbow, tighten and connect water supply to water inlet valve. Supply line must be free of kinks, scales, chips, and lubricants.
4. Turn on water supply and check for leaks.
5. If water inlet valve clogs, make sure water supply is on a <sup>3</sup>/<sub>8</sub>" NPT valve, remove four (4) screws at inlet end of valve and clean filter screen. If using <sup>3</sup>/<sub>4</sub>" hose thread fitting simply remove filter screen.

## Finishing the Electrical