

This Owner's Manual is provided and hosted by [Appliance Factory Parts](#).



GE JVM7195SK5SS Owner's Manual

[Shop genuine replacement parts for GE
JVM7195SK5SS](#)



[Find Your GE Wood or Gas Stove Parts - Select From 11069 Models](#)

----- Manual continues below -----



MICROWAVE OVEN

OWNER'S MANUAL

JVM7195
JNM7196

SAFETY INFORMATION.....3

OPERATING INSTRUCTIONS

Controls6

Features8

Power Levels8

Time Features8

Sensor Features12

Other Features14

Microwave Terms16

CARE AND CLEANING

Care and Cleaning17

TROUBLESHOOTING

Things that are Normal 20

CONSUMER SUPPORT

Limited Warranty21

Optional Kits22

Consumer Support 24

Write the model and serial numbers here:

Model # _____

Serial # _____

You can find them on a label inside the oven.

THANK YOU FOR MAKING GE APPLIANCES A PART OF YOUR HOME.

Whether you grew up with GE Appliances, or this is your first, we're happy to have you in the family.

We take pride in the craftsmanship, innovation and design that goes into every GE Appliances product, and we think you will too. Among other things, registration of your appliance ensures that we can deliver important product information and warranty details when you need them.

Register your GE appliance now online. Helpful websites and phone numbers are available in the Consumer Support section of this Owner's Manual. You may also mail in the pre-printed registration card included in the packing material.



GE APPLIANCES

IMPORTANT SAFETY INSTRUCTIONS

READ ALL INSTRUCTIONS BEFORE USING THE APPLIANCE

⚠ WARNING

To reduce the risk of burns, electric shock, fire, injury to persons, or exposure to excessive microwave energy:

When using electrical appliances, basic safety precautions should be followed, including the following:

- Read all instructions before using this appliance.
- Read and follow the specific precautions in the PRECAUTIONS TO AVOID POSSIBLE EXPOSURE TO EXCESSIVE MICROWAVE ENERGY section on page 5.
- Use this appliance only for its intended use as described in this manual. Do not use corrosive chemicals or vapors in this appliance. This oven is specifically designed to heat, dry or cook food, and is not intended for laboratory or industrial use.
- This microwave must only be serviced by qualified service personnel. Contact nearest authorized service facility for examination, repair or adjustment.

INSTALLATION

- Install or locate this appliance only in accordance with the provided installation instructions.
- This appliance must be grounded. Connect only to properly grounded outlet. See "GROUNDING INSTRUCTIONS" found on page 5.
- This microwave oven is ETL listed for installation over both gas and electric ranges.
- This unit is suitable for use above gas or electric cooking equipment, 36" or less wide.
- Do not operate this appliance if it has a damaged power cord or plug, if it is not working properly, or if it has been damaged or dropped.
- Keep cord away from heated surfaces.
- Do not let cord hang over the edge of the table or counter
- Do not immerse cord or plug in water.
- Do not cover or block any openings on the appliance.
- Do not store this appliance outdoors. Do not use this product near water—for example, in a wet basement, near a swimming pool, near a sink or in similar locations.
- Do not mount this appliance over a sink.

TO REDUCE THE RISK OF FIRE IN THE CAVITY:

- Do not overcook food. Carefully attend appliance when paper, plastic or other combustible materials are placed inside the oven to facilitate cooking.
- Remove wire twist-ties and metal handles from paper or plastic containers before placing them in the oven.
- Do not store any materials, other than our recommended accessories, in this oven when not in use. Do not leave paper products, cooking utensils or food in the cavity when not in use. Microwave rack should be removed from oven when not in use.
- If materials inside the oven ignite, keep the oven door closed, turn the oven off and disconnect the power cord or shut off power at the fuse or circuit breaker panel.
- Do not operate the microwave feature without food in the oven.

TO REDUCE THE RISK OF BURNS:

- Be careful when opening containers of hot food. Use pot holders and direct steam away from face and hands.
- Vent, pierce, or slit containers, pouches, or plastic bags to prevent build-up of pressure.
- Be careful when touching the turntable, door, racks, or walls of the oven which may become hot during use.
- **HOT CONTENTS CAN CAUSE SEVERE BURNS. DO NOT ALLOW CHILDREN TO USE THE MICROWAVE.** Use caution when removing hot items.

READ AND SAVE THESE INSTRUCTIONS

IMPORTANT SAFETY INSTRUCTIONS

READ ALL INSTRUCTIONS BEFORE USING THE APPLIANCE

▲ WARNING Continued

OPERATING

- Do not operate the oven without the turntable in place. The turntable must be unrestricted so it can turn.
- Make sure all cookware used in your microwave oven is suitable for microwaving. Most glass casseroles, cooking dishes, measuring cups, custard cups, pottery, or china dinnerware, which does not have metallic trim or glaze with a metallic sheen can be used in compliance with cookware manufacturers' recommendations.
- Do not store anything directly on top of the microwave surface when the microwave is in operation.
- Some products such as whole eggs and sealed containers - for example, closed jars - are able to explode and should not be heated in the microwave oven.
- Do not overcook potatoes. They could dehydrate and catch fire.
- Do not cover any other part of the oven with metal foil. This will cause overheating of the oven.
- Cook meat and poultry thoroughly—meat to at least an INTERNAL temperature of 160°F and poultry to at least an INTERNAL temperature of 180°F. Cooking to these temperatures usually protects against foodborne illness.
- This oven is not approved or tested for marine use.

CLEANING

- Keep the oven free from grease buildup.
- Do not clean with metal scouring pads. Pieces can burn off the pad and touch electrical parts involving risk of electric shock.
- When cleaning surfaces of door and oven that come together on closing the door, use only mild, nonabrasive soaps, or detergents applied with a clean sponge or soft cloth. Rinse well.

SUPER HEATED WATER

- Liquids, such as water, coffee, or tea, are able to be overheated beyond the boiling point without appearing to be boiling. Visible bubbling or boiling when the container is removed from the microwave oven is not always present. **THIS COULD RESULT IN VERY HOT LIQUIDS SUDDENLY BOILING OVER WHEN THE CONTAINER IS DISTURBED OR A SPOON OR OTHER UTENSIL IS INSERTED INTO THE LIQUID.**
- To reduce the risk of injury to persons:
 - Do not overheat the liquid.
 - Stir the liquid both before and halfway through heating it.
 - Do not use straight-sided containers with narrow necks.
 - After heating, allow the container to stand in the microwave oven for a short time before removing the container.
 - Use extreme care when inserting a spoon or other utensil into the container.

VENT FAN

The fan will operate automatically under certain conditions. Take care to prevent the starting and spreading of accidental cooking fires while the vent fan is in use.

- Clean the underside of the microwave often. Do not allow grease to build up on the microwave or the fan filters.
- In the event of a grease fire on the surface units below the microwave oven, smother a flaming pan on the surface unit by covering the pan completely with a lid, a cookie sheet or a flat tray.
- Use care when cleaning the vent fan filters. Corrosive cleaning agents, such as lye-based oven cleaners, may damage the filters.
- When preparing flaming foods under the microwave, turn the fan on.
- Never leave surface units beneath your microwave oven unattended at high heat settings. Boilovers cause smoking and greasy spillovers that may ignite and spread if the microwave vent fan is operating. To minimize automatic fan operation, use adequate sized cookware and use high heat on surface units only when necessary.

READ AND SAVE THESE INSTRUCTIONS

IMPORTANT SAFETY INSTRUCTIONS

READ ALL INSTRUCTIONS BEFORE USING THE APPLIANCE

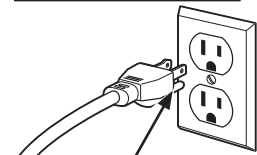
PRECAUTIONS TO AVOID POSSIBLE EXPOSURE TO EXCESSIVE MICROWAVE ENERGY

- (a) **Do Not Attempt** to operate this oven with the door open since open-door operation can result in harmful exposure to microwave energy. It is important not to defeat or tamper with the safety interlocks.
- (b) **Do Not Place** any object between the oven front face and the door or allow soil or cleaner residue to accumulate on sealing surfaces.
- (c) **Do Not Operate** the oven if it is damaged. It is particularly important that the oven door close properly and that there is no damage to the:
 - (1) door (bent),
 - (2) hinges and latches (broken or loosened),
 - (3) door seals and sealing surfaces.
- (d) **The Oven Should Not** be adjusted or repaired by anyone except properly qualified service personnel.

GROUNDING INSTRUCTIONS

⚠ WARNING

Improper use of the grounding plug can result in a risk of electric shock.



Ensure Proper ground exists before use.

This appliance must be grounded. In the event of an electrical short circuit, grounding reduces the risk of electric shock by providing an escape wire for the electric current.

This appliance is equipped with a power cord having a grounding wire with a grounding plug. The plug must be plugged into an outlet that is properly installed and grounded.

Consult a qualified electrician or service technician if the GROUNDING INSTRUCTIONS are not completely understood, or if doubt exists as to whether the appliance is properly grounded.

If the outlet is a standard 2-prong wall outlet, it is your personal responsibility and obligation to have it replaced with a properly grounded 3-prong wall outlet.

Do not under any circumstances cut or remove the third (ground) prong from the power cord.

Do not use an extension cord. If the power cord is too short, have a qualified electrician or service technician install an outlet near the appliance.

For best operation, plug this appliance into its own electrical outlet to prevent flickering of lights, blowing of fuse or tripping of circuit breaker.

PACEMAKERS

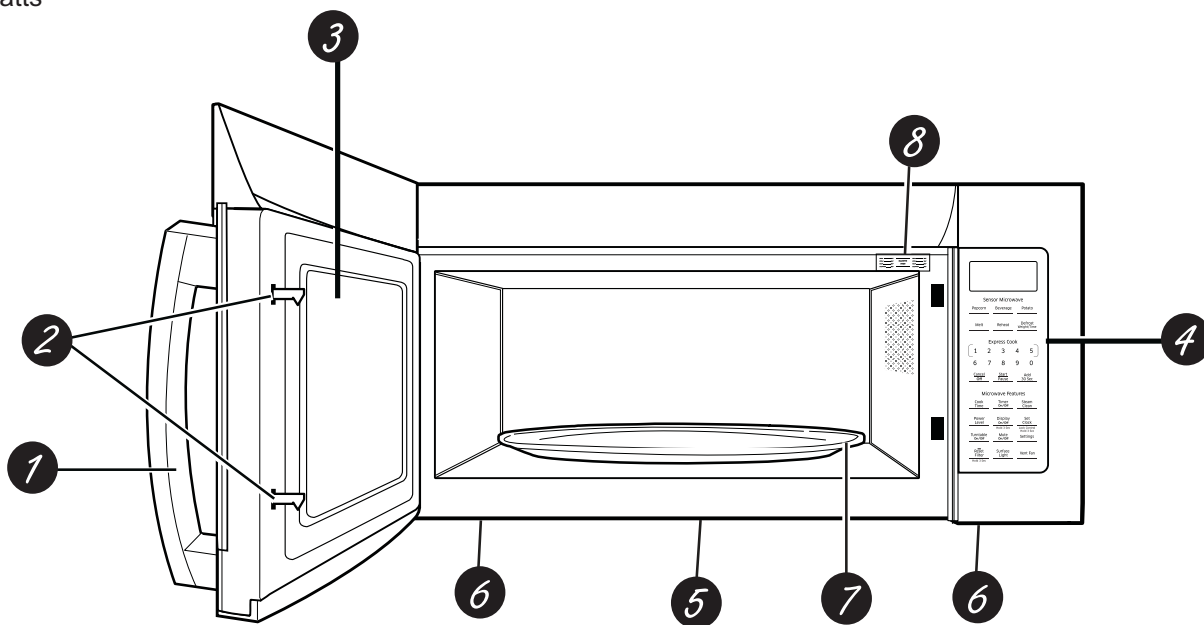
Most pacemakers are shielded from interference from electronic products, including microwaves. However, patients with pacemakers may wish to consult their physicians if they have concerns.

READ AND SAVE THESE INSTRUCTIONS

Controls

Throughout this manual, features and appearance may vary from your model.

1000 Watts



1. Door Handle. Pull to open the door. The door must be securely latched for the microwave to operate.

2. Door Latches.

3. Window with Metal Shield. Screen allows cooking to be viewed while keeping microwaves confined in the oven.

4. Touch Control Panel.

5. Cooktop Light.

6. Grease Filter.

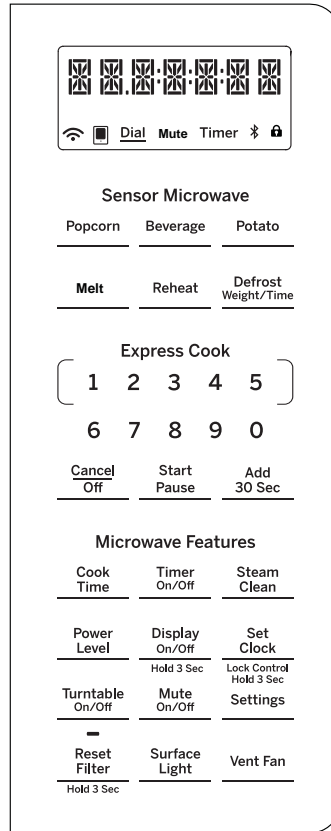
7. Removable Turntable. Turntable and support must be in place when using the oven. The turntable may be removed for cleaning.

8. Rating Plate.

NOTE: Oven vent(s) and oven light are located on the inside walls of the microwave oven.

Controls

You can microwave by time or with the sensor features. Not all features on all models.



Cooking Controls

Check the Convenience Guide before you begin.

1 Time Features	
Press	Enter
Cook Time	Amount of cooking time
Express Cook	Starts Immediately!
Add 30 Sec	Starts Immediately!
Power Level	Power level 1 to 10
Defrost Weight/Time	Amount of defrosting weight/time

2 Sensor Features	
Press	Enter
Popcorn	Starts immediately!
Beverage	Starts immediately!
Reheat	Food 1-4
Potato	Starts Immediately!

Features

Changing the Power Level

The power level may be entered or changed immediately after entering the feature time for Cook Time, Time Defrost, Add 30 Sec or Express Cook. The power level may also be changed during the time countdown.

1. Press **Cook Time**.

2. Enter cooking or defrosting time

Cook Time

3. Press **Power Level**.

Power Level

4. Select desired power level 1-10.

1	2	3	4	5
6	7	8	9	0

5. Press **Start/Pause**. Pressing **Start/Pause** is not necessary for **Express Cook** buttons.

Start/Pause

Variable power levels add flexibility to microwave cooking. The power levels on the microwave oven can be compared to the surface units on a range. Each power level gives you microwave energy a certain percent of the time. Power level 7 is microwave energy 70% of the time. Power level 3 is energy 30% of the time. Most cooking will be done on HI which gives you 100% power.

Power Level 10 will cook faster but food may need more frequent stirring, rotating or turning over. A lower setting will cook more evenly and need less stirring or rotating of the food.

Some foods may have better flavor, texture or appearance if one of the lower settings is used. Use a lower power level when cooking foods that have a tendency to boil over, such as scalloped potatoes.

Rest periods (when the microwave energy cycles off) give time for the food to “equalize” or transfer heat to the inside of the food. An example of this is shown with power level 3—the defrost cycle. If microwave energy did not cycle off, the outside of the food would cook before the inside was defrosted.

Here are some examples of uses for various power levels:

Power Level 10: Fish, bacon, vegetables, boiling liquids.

Power Level 7: Gentle cooking of meat and poultry; baking casseroles and reheating.

Power Level 5: Slow cooking and tenderizing for stews and less tender cuts of meat.

Power Level 2 or 3: Defrosting; simmering; delicate sauces.

Power Level 1: Keeping food warm; softening butter.

Time Features

Cook Time I

Allows you to microwave for any time up to 99 minutes and 99 seconds.

Power level 10 (high) is automatically set, but you may change it for more flexibility.

1. Press **Cook Time**.

2. Enter cooking time.

Cook Time

3. Change power level if you don't want full power. (Press **Power Level**. Select a desired power level 1–10.)

1	2	3	4	5
6	7	8	9	0

4. Press **Start/Pause**.

Start/Pause

You may open the door during Cook Time to check the food. Close the door and press Start/Pause to resume cooking.

Cook Time II

Lets you change power levels automatically during cooking. Here's how to do it:

1. Press Cook Time.

2. Enter the first cook time.

3. Change the power level if you don't want full power. (Press Power Level. Select a desired power level 1–10.)

4. Press Cook Time again.

5. Enter the second cook time.

6. Change the power level if you don't want full power. (Press Power Level. Select a desired power level 1–10.)

7. Press Start/Pause.

At the end of Cook Time I, Cook Time II counts down.

Time Features

Express Cook

This is a quick way to set cooking time for 1-5 minutes.

Press one of the Express Cook pads (from 1 to 5) for 1 to 5 minutes of cooking at power level 10. For example, press the 2 pad for 2 minutes of cooking time.

The power level can be changed as time is counting down. Press **POWER LEVEL** and enter **1-10**.

[1 2 3 4 5]

Add 30 Sec

You can use this feature two ways:

- It will add 30 seconds to the time counting down each time the pad is pressed.
- It can be used as a quick way to set 30 seconds of cooking time.

**Add
30 Sec**

Time Features

Weight Defrost

The Defrost Weight/Time feature gives you two ways to defrost food.

Press **Defrost Weight/Time** once for weight defrost or twice for Time Defrost.

Use Weight Defrost for meat, poultry and fish up to 6 pounds. Use Time Defrost for most other frozen foods.

1	2	3	4	5
6	7	8	9	0

Weight Defrost automatically sets the defrosting times and power levels to give even defrosting results for meats, poultry and fish.

1. Press **Defrost Weight/Time** once.
 2. Using the conversion guide, enter food weight. For example, press pads 1 and 2 for 1.2 pounds (1 pound, 3 ounces).
 3. Press **Start/Pause**.
- (Time Defrost is explained in the Time Features section.)

Defrost
Weight/Time

Start
Pause

- Remove meat from package and place on microwave-safe dish.
- When the oven signals, turn the food over. Remove defrosted meat or shield warm areas with small pieces of foil.
- After defrosting, most meats need to stand 5 minutes to complete defrosting. Large roasts should stand for about 30 minutes.

If the weight of food is stated in pounds and ounces, the ounces must be converted to tenths (.1) of a pound.	
Ounces	Pounds
1–2	.1
3	.2
4–5	.3
6–7	.4
8	.5
9–10	.6
11	.7
12–13	.8
14–15	.9

Time Defrost

Time Defrost allows you to defrost for a selected length of time. See the Defrosting Guide for suggested times. (Weight Defrost is explained in the Auto Feature section.)

1. Press **Defrost Weight/Time** twice.
2. Enter defrosting time.
3. Press **Start/Pause**.
4. Turn food over when the oven signal.
5. Press **Start/Pause**.

When the oven signals, turn food over and break apart or rearrange pieces for more even defrosting. Shield any warm areas with small pieces of foil. The oven will continue to defrost if you don't open the door and turn the food.

Power level is automatically set at 3, but can be changed. You can defrost small items quickly by raising the power level after entering the time. Power level 7 cuts the total defrosting time in about half; power level 10 cuts the total time to approximately 1/3. However, food will need more frequent attention than usual.

A dull thumping noise may be heard during defrosting. This is normal when oven is not operating at High power.

Defrosting Tips

- Foods frozen in paper or plastic can be defrosted in the package. Closed packages should be slit, pierced or vented AFTER food has partially defrosted. Plastic storage containers should be partially uncovered.
- Family-size, prepackaged frozen dinners can be defrosted and microwaved. If the food is in a foil container, transfer it to a microwave-safe dish.
- For more even defrosting of larger foods, such as roasts, use Defrost Weight. Be sure large meats are completely defrosted before cooking.
- Foods that spoil easily should not be allowed to sit out for more than one hour after defrosting. Room temperature promotes the growth of harmful bacteria.
- When defrosted, food should be cool but softened in all areas. If still slightly icy, return to the microwave very briefly, or let it stand a few minutes counts down.

Time Features

Defrosting Guide		
Food	Time	Comments
Breads, Cakes		
Bread, buns or rolls (1 piece)	1/4 min.	
Sweet rolls (approx. 12 oz.)	2 to 4 min.	Rearrange after half of time.
Fish and Seafood		
Fillets, frozen (1 lb.)	6 to 9 min.	
Fruit		
Plastic pouch—1 or 2 (10-oz. package)	1 to 5 min.	
Meat		
Bacon (1 lb.)	2 to 5 min.	Place unopened package in oven. Let stand 5 minutes after defrosting.
Franks (1 lb.)	2 to 5 min.	Place unopened package in oven. Microwave just until franks can be separated. Let stand 5 minutes, if necessary, to complete defrosting.
Ground meat (1 lb.)	4 to 6 min.	Turn meat over after first half of time.
Roast: beef, lamb, veal, pork	9 to 13 min. per lb.	Use power level 10.
Steaks, chops and cutlets	4 to 8 min. per lb.	Place unwrapped meat in cooking dish. Turn over after first half of time and shield warm areas with foil. After second half of time, separate pieces with table knife. Let stand to complete defrosting.
Poultry		
Chicken, broiler-fryer, cut up (2 1/2 to 3 lbs.)	14 to 20 min.	Place wrapped chicken in dish. Unwrap and turn over after first half of time. After second half of time, separate pieces and place in cooking dish. Microwave 2 to 4 minutes more, if necessary. Let stand a few minutes to finish defrosting.
Chicken, whole (2 1/2 to 3 lbs.)	20 to 25 min.	Place wrapped chicken in dish. After first half of time, unwrap and turn chicken over. Shield warm areas with foil. To complete defrosting, run cool water in cavity until giblets can be removed.
Cornish hen	7 to 13 min. per lb.	Place unwrapped hen in oven breast-side-up. Turn over after first half of time. Run cool water in cavity until giblets can be removed.
Turkey breast (4 to 6 lbs.)	3 to 8 min. per lb.	Place unwrapped breast in microwave-safe dish breast-side-down. After first half of time, turn breast-side-up and shield warm areas with foil. Defrost for second half of time. Let stand 1 to 2 hours in refrigerator to complete defrosting.

Sensor Features

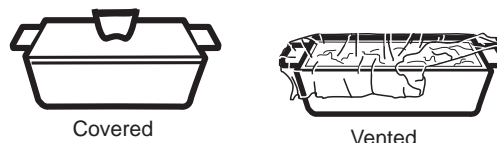
Humidity Sensor

The Sensor Features detect the increasing humidity released during cooking. The oven automatically adjusts the cooking time to various types and amounts of food.

Do not use the Sensor Features twice in succession on the same food portion—it may result in severely overcooked or burnt food. Be sure to let the oven cool down for 5-10 minutes before starting the next sensor cook.

If food is under cooked after the countdown, use Cook Time for additional cooking time.

- The proper containers and covers are essential for best sensor cooking.
- Always use microwave-safe containers and cover them with lids or vented plastic wrap. Never use tight-sealing plastic covers - they can prevent steam from escaping and cause food to overcook.



Dry off dishes so they don't mislead the sensor.

- Be sure the outside of the cooking container and the inside of the microwave oven are dry before placing food in the oven. Beads of moisture turning into steam can mislead the sensor.

Popcorn Feature

To use the Popcorn feature:

1. Follow package instructions, using Cook Time if the package is less than 2.0 ounces or larger than 3.5 ounces. Place the package of popcorn in the center of the microwave.
2. Press **POPCORN**. The oven starts immediately.

Popcorn

Use only with prepackaged microwave popcorn weighing 2.0 to 3.5 ounces

If you find that the brand of popcorn you use under pops or overcooks consistently, you can add or subtract 20-30 seconds to the automatic popping time.

To add time:

After pressing **POPCORN**, press **9** immediately after the oven starts for an extra 20 seconds of the cooking time.

Press **9** again to add another 10 seconds (total 30 seconds) of additional time.

To subtract time:

After pressing **POPCORN**, press **1** immediately after the oven starts for 20 seconds less cooking time.

Press **1** again to reduce cooking time another 10 seconds (total 30 seconds) less cooking time.

Beverage Feature

To use the Beverage feature:

The Beverage feature heats 4-16 oz of any beverage.

Press **BEVERAGE**. The oven starts immediately.

Drinks heated with the Beverage feature may be very hot. Remove the container with care.

Beverage

Sensor Features

Reheat

Reheat

NOTE: Do not use this feature twice in succession on the same food portion - it may result in severely overcooked or burnt food.

The Reheat feature reheats single servings of previously cooked foods or a plate of leftovers.

1. Place covered food in the oven. Press **Reheat**.
2. Press one of the **Express Cook** pads (from 1 to 4) to select the food you wish to reheat.

Press Pad	Food to Reheat
1	Plate
2	Soup
3	Veggies
4	Pasta

3. The oven signals when steam is sensed and the time remaining begins counting down.

Do not open the oven door until time is counting down. If the door is opened, close it and press **Start/Pause** immediately

After removing food from the oven, stir, if possible, to even out the temperature. If the food is not hot enough, use Cook Time to reheat for more time. Reheated foods may have wide variations in temperature. Some areas may be extremely hot.

If food is not hot enough after the countdown, use Cook Time for additional reheating time.

To Change the Automatic Settings

- To reduce time by 10%:
Press 1 after the feature pad.
- To add 10% to cooking time:
Press 9 after the feature pad.

Some Foods Not Recommended For Use With Reheat:

It is best to use Cook Time for these foods:

- Bread products.
- Foods that must be reheated uncovered.
- Foods that need to be stirred or rotated.
- Foods calling for a dry look or crisp surface after reheating.

Potato

Potato

NOTE: Do not use this feature twice in succession on the same food portion - it may result in severely overcooked or burnt food.

1. Pierce potato skin with fork and place potato in the oven.
2. Press **Potato**. the oven starts immediately.
3. The oven signals when steam is sensed and time remaining is counting down. Turn or stir the food if necessary.

Do not open the oven door until time is counting down. If the door is opened, close it and press Start/Pause immediately.

If food is undercooked after the countdown, use Cook Time for additional cooking time.

To Change the Automatic Settings

- To reduce time by 10%:
Press 1 after the feature pad.
- To add 10% to cooking time:
Press 9 after the feature pad.

Other Features

Cooking Complete Reminder

To remind you that you have food in the oven, the oven will display “Food is Ready” and beep once a minute until you either open the oven door or press **Cancel/Off**.

Set Clock

Press to enter the time of day or to check the time of day while microwaving.

1. Press **Set Clock**.
2. Enter time of day.
3. Press **Start** or **Set Clock**.

To check the time of day while microwaving, press **Set Clock**.

**Set
Clock**
—————
Lock Control
Hold 3 Sec

Child Lock-Out

You may lock the control panel to prevent the microwave from being accidentally started or used by children.

To lock or unlock the controls, press and hold **Set Clock** for about three seconds. When the control panel is locked, LOCKED will appear in the display.

Display On/Off

To turn the clock display on or off, press and hold **Display On/Off** button for about 3 seconds. The Display On/Off feature cannot be used while a cooking feature is in use.

**Display
On/Off**
—————
Hold 3 Sec

Timer On/Off

Timer On/Off operates as a minute timer and can be used at any time, even when the oven is operating.

1. Press **Timer On/Off**.
2. Enter time you want to count down.
3. Press **Timer On/Off** to start.

**Timer
On/Off**
—————

When time is up, the oven will signal. To turn off the timer signal, press **Timer On/Off**.

NOTE: The timer indicator will be lit while the timer is operating.

Start/Pause

In addition to starting many functions, Start/Pause allows you to stop cooking without opening the door or clearing the display. Press **Start/Pause** again to restart the oven.

**Start
Pause**
—————

Steam Clean

Use Steam Clean for easy wiping inside with steam.

1. Press the **Steam Clean** button.
2. Put steam bowl with 1/4 cup of water.
3. Press the dial or **Start/Pause** to start.

4. After Steam Clean, remove Turntable and Turn Table Support and wipe out inside of oven cavity with paper towel or soft cloth

**Steam
Clean**
—————

Turntable

For best cooking results, leave the turntable on. It can be turned off for large dishes. Press TURNTABLE to turn the turntable on or off.

Sometimes the turntable can become too hot to touch. Be careful touching the turntable during and after cooking.

**Turntable
On/Off**
—————

Other Features

Vent Fan

The vent fan removes steam and other vapors from surface cooking.

Press **Vent Fan** once for boost fan speed, twice for high fan speed, a third time for medium fan speed, a fourth time for low fan speed, and a fifth time to turn the fan off.

Vent Fan

Display Speed

You can change display speed.

1. Press **Settings**.
2. Press **Express Cook** pad 2.
3. Select new display speed.
 - 1 - slow
 - 2 - normal
 - 3 - fast

Settings

Surface Light

Press **Surface Light** to turn the surface light on or off.

On some models, there is a night light option.

Press **Surface Light** once for high light, twice for low light, and a third time to turn the light off.

Surface Light

Sound Level

You can change sound level.

1. Press **Settings**.
2. Press **Express Cook** pad 3.
3. Select sound level.
 - 0 - mute
 - 1 - low
 - 2 - normal
 - 3 - loud

Settings

Mute

The beeper sound level can be muted. Press **Mute On/Off**.

Mute On/Off

Reset Filter Button

The light will illuminate after approximately 6 months of alert user to replace the charcoal filter (if used) and clean/replace the grease filters. Reset by push and hold 3 seconds.

Reset Filter

Hold 3 Sec

Automatic Fan

An automatic fan feature protects the microwave from too much heat rising from the cooktop below it. It automatically turns on at low speed if it senses too much heat.

If you have turned the fan on you may find that you cannot turn it off. The fan will automatically turn off when the internal parts are cool. It may stay on for 30 minutes or more after the cooktop and microwave controls are turned off.

Clock Mode

You can change clock 12/24 hrs display mode.

1. Press **Settings**.
2. Press **Express Cook** pad 1.
3. Select **12hrs/24hrs**.
 - 1 - 12 hrs
 - 2 - 24 hrs

Settings

Filter Replace Reminder

The charcoal/grease filter should be replaced when it is noticeably dirty / discolored (usually after 6-12 months, depending on hood usage) or filter replacement LED is on.

When the Filter Replace LED turned on, replace filter and press Reset Filter and hold for 3 seconds to reset.

Microwave terms

Arcing Arcing is the microwave term for sparks in the oven. Arcing is caused by:

- the metal shelf being installed incorrectly and touching the microwave walls.
- metal or foil touching the side of the oven.
- foil that is not molded to food (upturned edges act like antennas).
- metal such as twist-ties, poultry pins, gold-rimmed dishes.
- recycled paper towels containing small metal pieces.
- the turntable ring support being installed incorrectly.

Covering Covers hold in moisture, allow for more even heating and reduce cooking time. Venting plastic wrap or covering with wax paper allows excess steam to escape.

Shielding In a regular oven, you shield chicken breasts or baked foods to prevent over-browning. When microwaving, use small strips of foil to shield thin parts, such as the tips of wings and legs on poultry, which would cook before larger parts.

Standing Time When you cook with regular ovens, foods such as roasts or cakes are allowed to stand to finish cooking or to set. Standing time is especially important in microwave cooking. Note that a microwaved cake is not placed on a cooling rack.

Venting After covering a dish with plastic wrap, you vent the plastic wrap by turning back one corner so excess steam can escape.

Care and Cleaning

Helpful Hints

An occasional thorough wiping with a solution of baking soda and water keeps the inside fresh.

Be sure the power is off before cleaning any part of this oven.

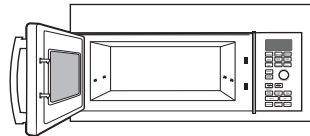


How to Clean the Inside

Walls, Floor, Inside Window, Metal and Plastic Parts on the Door

Some spatters can be removed with a paper towel; others may require a damp cloth. Remove greasy spatters with a sudsy cloth, then rinse with a damp cloth. Do not use abrasive cleaners or sharp utensils on oven walls.

Never use a commercial oven cleaner on any part of your microwave.



Removable Turntable and Turntable Support

To prevent breakage, do not place the turntable into water just after cooking. Wash it carefully in warm, sudsy water or in the dishwasher. The turntable and support can be broken if dropped. Remember, do not operate the oven in the microwave mode without the turntable and support seated and in place.



How to Clean the Outside

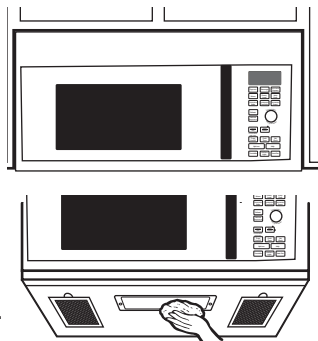
We recommend against using cleaners with ammonia or alcohol, as they can damage the appearance of the microwave oven. If you choose to use a common household cleaner, first apply the cleaner directly to a clean cloth, then wipe the soiled area.

Case

Clean the outside of the microwave with a sudsy cloth. Rinse and then dry. Wipe the window clean with a damp cloth.

Control Panel

Wipe with a damp cloth. Dry thoroughly. Do not use cleaning sprays, large amounts of soap and water, abrasives or sharp objects on the panel—they can damage it. Some paper towels can also scratch the control panel.



Door Panel

Before cleaning the front door panel, make sure you know what type of panel you have. Refer to the eighth digit of the model number. "S" is stainless steel, "L" is CleanSteel and "B", "W" or "C" are plastic colors.

Stainless Steel (on some models)

The stainless steel panel can be cleaned with Stainless Steel Magic or a similar product using a clean, soft cloth. Apply stainless cleaner carefully to avoid the surrounding plastic parts. Do not use appliance wax, polish, bleach or products containing chlorine on Stainless Steel finishes.

Plastic Color Panels

Use a clean, soft, lightly dampened cloth, then dry thoroughly.

Door Seal

It's important to keep the area clean where the door seals against the microwave. Use only mild, non-abrasive detergents applied with a clean sponge or soft cloth. Rinse well.

Bottom

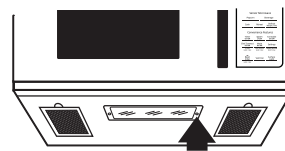
Clean off the grease and dust on the bottom often. Use a solution of warm water and detergent.

Care and Cleaning

Cooktop Light/Nite Light

Replace with a 120 volt, 50 watt (max.) halogen bulb. See back cover for ordering online at GEAppliances.com.

1. To replace the cooktop light/nite light, first disconnect the power at the main fuse or circuit breaker panel, or pull the plug.
2. Remove the screw from the side of the light compartment cover and lower the cover until it stops.
3. Be sure the bulb is cool before removing. Break the adhesive seal by gently unscrewing the bulb.
4. Screw in the new bulb, then raise the light cover and replace the screw. Connect electrical power to the oven.



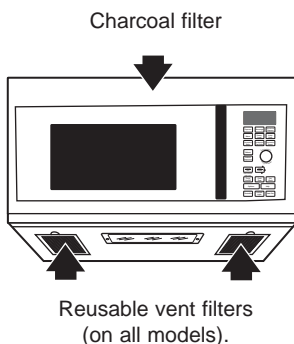
Remove screw.



Vent Fan

The vent fan has two metal reusable vent filters.

Models that recirculate air back into the room also use a charcoal filter.



Reusable vent filters (on all models).

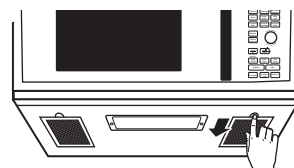
Reusable Grease Filters

The metal filters trap grease released by foods on the cooktop. They also prevent flames from foods on the cooktop from damaging the inside of the oven.

For this reason, the filters must always be in place when the hood is used. The vent filters should be cleaned once a month, or as needed.

Removing and Cleaning Grease Filters

To remove, slide them to the rear using the tabs. Pull down and out.



To clean the grease filters, soak them and then swish around in hot water and detergent. Don't use ammonia or ammonia products because they will darken the metal. Light brushing can be used to remove embedded dirt.

Rinse, shake and let dry before replacing.

To replace, slide the filters into the frame slots on the back of each opening. Press up and to the front to lock into place.

Care and Cleaning

Charcoal Filter

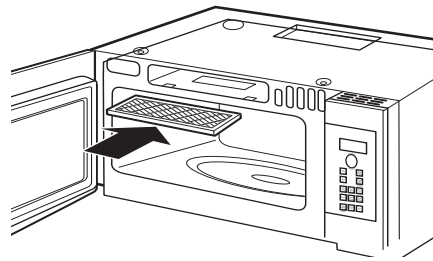
The charcoal filter cannot be cleaned. It must be replaced. See back cover for ordering online at GEAppliances.com.

If the model is not vented to the outside, the air will be recirculated through a disposable charcoal filter that helps remove smoke and odors.

The charcoal filter should be replaced when it is noticeably dirty or discolored (usually after 6 to 12 months, depending on usage). See **Optional Kits** page 22, for more information.

CHARCOAL FILTER REPLACEMENT

1. **Unplug** the microwave oven.
2. **Remove** the vent grille mounting screws.
3. **Tip** the grille forward, then **lift out** to remove.
4. **Remove** the charcoal filter.
5. **Slide a new charcoal filter into place.**
6. **Slide** the bottom of the vent grille into place. **Push** the top until it snaps into place. **Replace** the mounting screws
7. **Plug** in the microwave oven.



Troubleshooting Tips

Problem	Possible Causes	What To Do
Oven will not start	A fuse in your home may be blown or the circuit breaker tripped.	• Replace fuse or reset circuit breaker.
	Power surge.	• Unplug the microwave oven, then plug it back in.
	Plug not fully inserted into wall outlet.	• Make sure the 3-prong plug on the oven is fully inserted into wall outlet.
	Door not securely closed.	• Open the door and close securely.
Floor of the oven is warm even when the oven has not been used	Heat from the cooktop light may make the oven floor get warm.	• This is normal.
“LOCKED” appears on display	The control has been locked.	Press and hold SET CLOCK for about 3 seconds to unlock the control.
You hear an unusual low-tone beep	You have tried to start the Reminder without a valid time of day.	Start over and enter a valid time of day.
	You have tried to change the power level when it is not allowed.	• Many of the oven’s features are preset and cannot be changed.
SENSOR ERROR appears on the display	When using a Sensor feature, the door was opened before steam could be detected.	• Do not open door until steam is sensed and time is shown counting down on the display.
	Steam was not detected in a maximum amount of time.	• Use Cook Time to heat for more time.
Food amount too large for Sensor Reheat	Sensor Reheat is for single servings of recommended foods.	• Use Time Cook for large amounts of food.

Things That Are Normal With Your Microwave Oven

- Steam or vapor escaping from around the door.
- Dimming oven light and change in the blower sound at power levels other than high.
- Light reflection around door or outer case.
- Dull thumping sound while oven is operating.

FEDERAL COMMUNICATIONS COMMISSION (U.S.A.) RADIO FREQUENCY INTERFERENCE STATEMENT

This equipment generates and uses ISM frequency energy and if not installed and used properly, that is in strict accordance with the manufacturer’s instructions, may cause interference to radio and television reception. It has been type tested and found to comply with limits for an ISM Equipment pursuant to part 18 of FCC Rules, which are designed to provide reasonable protection against such interference in a residential installation. However, there is no guarantee that interference will not occur in a particular installation. If this equipment does cause interference to radio or television reception, which can be determined by tuning the equipment off and on, the user is encouraged to try to correct the interference by one or more of the following:

- Reorient the receiving antenna of radio or television.
- Relocate the Microwave oven with respect to the receiver.
- Move the microwave oven away from the receiver.
- Plug the microwave oven into a different outlet so that microwave oven and receiver are on different branch circuits.

The manufacturer is not responsible for any radio or TV interference cause by unauthorized modification to this microwave oven. It is the responsibility of the user to correct such interference.

Microwave Oven Limited Warranty

LIMITED WARRANTY

GEAppliances.com

All warranty service is provided by our Factory Service Centers, or an authorized service technician. To schedule service online, visit us at GEAppliances.com/service or call 800.GE.CARES (800.432.2737) during normal business hours.

For the period of	GE Appliances will replace
One year From the date of the original purchase	Any part of the oven which fails due to a defect in materials or workmanship. During this limited one-year warranty , GE Appliances will also provide, free of charge , all labor and related service costs to replace the defective part when the unit is serviced.

What GE Appliances will not cover:

- Service trips to your home to teach you how to use the product.
- Improper installation, delivery or maintenance. If you have an installation problem, contact your dealer or installer. You are responsible for providing adequate electrical, exhausting, and other connecting facilities.
- Failure of the product or damage to the product if it is abused, misused (for example, cavity arcing from wire rack or metal/foil), or used for other than the intended purpose or used commercially.
- Replacement of house fuses or resetting of circuit breakers.
- Damage to the product caused by accident, fire, floods or acts of God.
- Incidental or consequential damage caused by possible defects with this appliance.
- Damage caused after delivery.
- Product not accessible to provide required service.
- Service to repair or replace light bulbs, except for LED lamps.
- Damage to the finish, such as surface rust, tarnish, or small blemishes not reported within 48 hrs of delivery.

EXCLUSION OF IMPLIED WARRANTIES

Your sole and exclusive remedy is product repair as provided in this Limited Warranty. Any implied warranties, including the implied warranties of merchantability or fitness for a particular purpose, are limited to one year or the shortest period allowed by law.

This limited warranty is extended to the original purchaser and any succeeding owner for products purchased for home use within the USA. If the product is located in an area where service by a GE Appliances Authorized Servicer is not available, you may be responsible for a trip charge or you may be required to bring the product to an Authorized GE Appliances Service location for service. In Alaska, the limited warranty excludes the cost of shipping or service calls to your home.

Some states do not allow the exclusion or limitation of incidental or consequential damages. This limited warranty gives you specific legal rights, and you may also have other rights which vary from state to state. To know what your legal rights are, consult your local or state consumer affairs office or your state's Attorney General.

Warrantor: GE Appliances, a Haier company
 Louisville KY,40225

Staple your receipt here. Proof of the original purchase date is needed to obtain service under the warranty.

Optional Kits

Filler Panel Kits

JX36BWW – White

JX36BBB – Black

JX36BSS – Stainless

JX36BES – Slate

JX36BTS – Black Stainless

JX36BDS – Dark Slate

When replacing a 36" range hood, filler panel kits fill in the additional width to provide a custom built-in appearance.

For installation between cabinets only; not for end-of-cabinet installation. Each kit contains two 3" wide filler panels.

Recirculating Charcoal Filter Kit

WB06X10807 or JX81P - Charcoal Filter

Filter kits are used when the microwave oven cannot be vented to the outside.

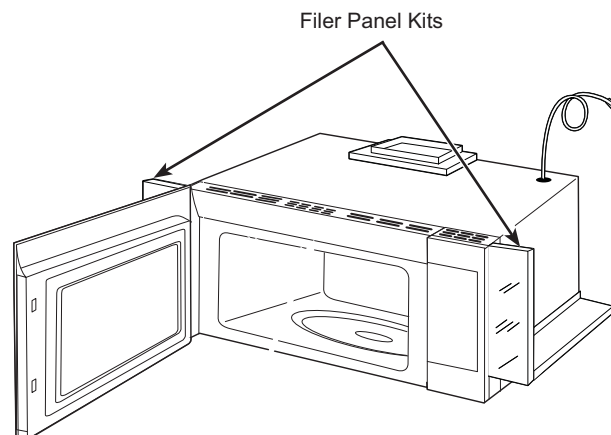
15" Cabinet Installation Kit

JX15BUMPBB - Black

JX15BUMPWW - White

For use when installing with 15" depth cabinets.

Available at extra cost from your GE Appliances supplier. See back cover for ordering online at GEAppliances.com.



Notes

Consumer Support

GE Appliances Website

Have a question or need assistance with your appliance? Try the GE Appliances Website 24 hours a day, any day of the year! You can also shop for more great GE Appliances products and take advantage of all our on-line support services designed for your convenience. GEAppliances.com

Register Your Appliance

Register your new appliance on-line at your convenience! Timely product registration will allow for enhanced communication and prompt service under the terms of your warranty, should the need arise. You may also mail in the pre-printed registration card included in the packing material. GEAppliances.com/register

Schedule Service

Expert GE Appliances repair service is only one step away from your door. Get on-line and schedule your service at your convenience any day of the year.

GEAppliances.com/service or call 800.GE.CARES (800.432.2737) during normal business hours.

Parts and Accessories

Individuals qualified to service their own appliances can have parts or accessories sent directly to their homes (VISA, MasterCard and Discover cards are accepted). Order on-line today 24 hours every day.

GEAppliances.com/parts or call 800.432.2737 during normal business hours.

Instructions contained in this manual cover procedures to be performed by any user. Other servicing generally should be referred to qualified service personnel. Caution must be exercised, since improper servicing may cause unsafe operation.

Contact Us

If you are not satisfied with the service you receive from GE Appliances, contact us on our Website with all the details including your phone number, or write to: General Manager,

General Manager, Customer Relations | GE Appliances, Appliance Park | Louisville, KY 40225

GEAppliances.com/contact



HORNO MICROONDAS

INFORMACIÓN DE SEGURIDAD.....3

INSTRUCCIONES DE FUNCIONAMIENTO

Controles6

Funciones del Horno8

Funciones del Temporizador8

Funciones del Sensor.....12

Otras Funciones14

Términos del Microondas16

CUIDADO Y LIMPIEZA.....17

RESOLUCIÓN DE PROBLEMAS 20

GARANTÍA LIMITADA23

SOPORTE AL CONSUMIDOR

Garantía Limitada.....21

Kits Opcionales.....22

Soporte al Consumidor 24

MANUAL DEL PROPIETARIO

JVM7195
JNM7196

Escriba los números de modelo y de serie aquí:

Nº de Modelo _____

Nº de Serie _____

Los encontrará en una etiqueta dentro del horno.

GRACIAS POR HACER QUE GE APPLIANCES SEA PARTE DE SU HOGAR.

Ya sea que haya crecido usando GE Appliances, o que ésta es su primera vez, nos complace tenerlo en la familia.

Sentimos orgullo por el nivel de arte, innovación y diseño de cada uno de los electrodomésticos de GE Appliances, y creemos que usted también. Entre otras cosas, el registro de su electrodoméstico asegura que podamos entregarle información importante del producto y detalles de la garantía cuando los necesite.

Registre su electrodoméstico GE ahora a través de Internet. Sitios Web y números telefónicos útiles están disponibles en la sección de Soporte para el Consumidor de este Manual del Propietario.

También puede enviar una carta en la tarjeta de inscripción preimpresa que se incluye con el material embalado.



GE APPLIANCES

INFORMACIÓN IMPORTANTE DE SEGURIDAD

LEA TODAS LAS INSTRUCCIONES ANTES DE USAR

⚠ ADVERTENCIA

Para reducir el riesgo de quemaduras, descargas eléctricas, incendio, lesiones o exposición a energía de microondas excesiva:

Cuando utilice aparatos eléctricos, se deben seguir las precauciones de seguridad básicas, entre las que se incluyen las siguientes:

- Lea todas las instrucciones antes de utilizar este aparato.
- Lea y siga las precauciones específicas descritas en la sección PRECAUCIONES PARA EVITAR LA POSIBLE EXPOSICIÓN A ENERGÍA DE MICROONDAS EXCESIVA de la página 5.
- Utilice este aparato solamente para el fin previsto, como se describe en este manual. No utilice químicos ni vapores corrosivos en este aparato. Este horno está específicamente diseñado para calentar, secar o cocinar alimentos y bebidas y no está diseñado para usarse en un laboratorio ni para uso industrial.
- Este electrodoméstico sólo debería ser reparado por personal técnico con calificación. En caso de necesitar una evaluación, reparación o ajuste, comuníquese con el servicio autorizado más cercano.

INSTALACIÓN

- Instale o ubique este aparato únicamente de acuerdo a las instrucciones de instalación suministradas.
- Este aparato debe contar con una conexión a tierra. Conecte sólo a un tomacorriente con adecuada conexión a tierra. Ver la sección Instrucciones de conexión a tierra de la página 5.
- Este horno microondas figura en la lista de ETL para su posible instalación tanto en estufas a gas como eléctricas.
- Esta unidad fue diseñada para use sobre equipamientos de cocción a gas o eléctricos, de un ancho de 36" o menos.
- No utilice este aparato si tiene el cable eléctrico o el enchufe dañados, si no funciona bien o si ha sufrido una avería o una caída.
- Mantenga el cable alejado de superficies calientes.
- No permita que el cable eléctrico cuelgue sobre el borde de la mesa o del mostrador de encimera.
- No sumerja el cable eléctrico o el enchufe en agua.
- No cubra ni bloquee ninguna apertura de este aparato.
- No almacene este aparato al aire libre. No utilice este producto cerca del agua; por ejemplo, en un sótano húmedo, cerca de una piscina, cerca de un lavabo o lugares similares.
- No monte este aparato sobre el fregadero.

PARA REDUCIR EL RIESGO DE INCENDIO DENTRO DEL HORNO:

- No cocine excesivamente los alimentos. Vigile cuidadosamente el aparato cuando se coloque papel, plástico u otros materiales combustibles dentro del microondas para facilitar la cocción.
- Quite las tiritas de seguridad (twist-ties) y asas metálicas de los recipientes de papel o plástico antes de colocarlos dentro del microondas.
- No guarde ningún material, a excepción de nuestros accesorios recomendados, en este horno cuando no esté en uso. No deje productos de papel, utensilios de cocina ni comida en el horno cuando no esté en uso. El estante del microondas se deberá retirar del horno cuando no se encuentre en uso.
- Si los materiales que se encuentran dentro del horno prenden fuego, mantenga cerrada la puerta del horno, apáguelo y desconecte el cable eléctrico, o corte la energía desde el panel de fusibles o del interruptor de circuitos.
- No opere el horno sin alimentos adentro.

A FIN DE REDUCIR RIESGOS DE QUEMADURAS:

- Tenga cuidado al abrir envases con comida caliente. Use manijas y aleje el vapor del rostro y las manos.
- Ventile, perforo, o corte envases, bolsas, o bolsas plásticas para evitar la acumulación de presión.
- Tenga cuidado al tocar el plato giratorio, la puerta, estantes o paredes del horno, los cuales se podrán calentar durante el uso.
- **LOS CONTENIDOS CALIENTES PUEDEN OCASIONAR QUEMADURAS GRAVES. NO PERMITA QUE LOS NIÑOS UTILICEN EL MICROONDAS.** Tenga cuidado al retirar ítems calientes.

LEA Y GUARDE ESTAS INSTRUCCIONES

INFORMACIÓN IMPORTANTE DE SEGURIDAD LEA TODAS LAS INSTRUCCIONES ANTES DE USAR

▲ ADVERTENCIA

USO

- No use el horno sin el plato giratorio en su posición. El plato giratorio no deberá tener restricciones, de modo que pueda girar.
- Asegúrese de que todos los utensilios usados en el horno microondas sean para uso en el mismo. Podrán ser usadas la mayoría de las cacerolas de vidrio, platos de cocción, tazas graduadas, tazas para postre, vajillas de cerámica o juegos de platos de porcelana que no posean bordes metálicos o vidriados con un brillo metálico, en cumplimiento con las recomendaciones del fabricante de utensilios.
- No guarde nada directamente sobre la superficie del horno microondas cuando el mismo se encuentre funcionando.
- Algunos productos tales como huevos enteros y envases sellados – por ejemplo: tarros de vidrio cerrados – pueden explotar y por esto no se deben calentar en el horno microondas.
- No caliente las papas en exceso. Las mismas se podrán deshidratar e incendiarse.
- No cubra ninguna otra parte del horno con papel de aluminio. Esto ocasionará un sobrecalentamiento del horno.
- Cocine carnes y carnes de ave en forma completa – la carne por lo menos a una temperatura INTERIOR de 160°F y la carne de ave por lo menos a una temperatura INTERIOR de 180°F. Normalmente la cocción a estas temperaturas brinda una protección contra las enfermedades transmitidas por la comida.
- Este horno no fue aprobado ni evaluado para uso en la marino.

LIMPIEZA

- Mantenga el horno libre de acumulación de grasa.
- No limpie con almohadillas metálicas para fregar. Las piezas podrán quemar la almohadilla y tener contacto con partes eléctricas y producir riesgos de descargas eléctricas.
- Al limpiar superficies de puerta y horno que se unen al cerrar la puerta, use sólo jabones o detergentes suaves y no abrasivos, aplicando los mismos con una esponja limpia o tela suave. Enjuague bien.

AGUA EXTREMADAMENTE CALIENTE

- Los líquidos, tales como el agua, café o té se podrán sobrecalentar más allá de su punto de hervor sin que parezca que esto está sucediendo. No siempre se observan burbujas o hervor cuando el envase es retirado del horno microondas. **ESTO PODRÁ PROVOCAR QUE LOS LÍQUIDOS MUY CALIENTES DE PRONTO HIERVAN CUANDO SE MUEVA EL ENVASE O CUANDO SE INSERTE UNA CUCHARA U OTRO UTENSILIO EN EL LÍQUIDO.**
- Para reducir el riesgo de lesiones personales:
 - No sobrecaliente el líquido.
 - Revuelva el líquido tanto antes como a la mitad del tiempo mientras lo calienta.
 - No use envases con lados rectos y cuellos angostos.
 - Después de calentar, deje reposar el envase en el horno microondas durante un período corto antes de retirar el mismo.
 - Tenga extremo cuidado al insertar una cuchara u otro utensilio en el envase.

VENTILADOR CON EXTRACTOR

El ventilador funcionará de forma automática bajo ciertas condiciones. Asegúrese de evitar la activación y extensión accidental del fuego de cocción mientras el ventilador esté en uso.

- Limpie la cara inferior del horno microondas en forma frecuente. No permita que se acumule grasa en el horno microondas ni en los filtros del ventilador.
- En caso de que haya fuego producido por la grasa en las unidades de la superficie debajo del horno microondas, apague una olla llameante sobre la unidad de la superficie cubriendo la olla completamente con una tapa, una asadera de galletitas o una bandeja plana.

- Limpie con cuidado los filtros del ventilador. Agentes de limpieza corrosivos, tales como los limpiadores de horno a base de soda cáustica, podrán dañar los filtros.
- Al preparar comidas llameantes debajo del horno microondas, encienda el ventilador.
- Nunca deje de prestar atención a las unidades de la superficie debajo de su horno microondas en las configuraciones altas de calor. Las ebulliciones producen humo y derrames de grasa que pueden encender y esparcir el fuego si el ventilador del horno microondas está en funcionamiento. A fin de minimizar el funcionamiento del ventilador automático, use utensilios de tamaño adecuado y use un nivel de calor alto en las unidades de la superficie sólo cuando sea necesario.

LEA Y GUARDE ESTAS INSTRUCCIONES

INFORMACIÓN IMPORTANTE DE SEGURIDAD

LEA TODAS LAS INSTRUCCIONES ANTES DE USAR

PRECAUCIONES PARA EVITAR LA POSIBLE EXPOSICIÓN A ENERGÍA DE MICROONDAS EXCESIVA

- (a) **No intente hacer** funcionar el horno con la compuerta abierta ya que ésto puede provocar exposición peligrosa a la energía de microondas. Es importante no forzar ni dañar los seguros.
- (b) **No coloque** ningún objeto entre la parte frontal del horno y la compuerta, ni permita que se acumulen residuos de producto limpiador o detergente, suciedad o polvo en las superficies de sellado.
- (c) **No haga funcionar** el horno si se encuentra dañado. Es particularmente importante cerrar bien la compuerta
 - (1) la compuerta (doblada o curvada),
 - (2) las bisagras y pestillos (rotos o flojos),
 - (3) sellos de la compuerta y superficies de sellado.
- (d) **El horno no debe** ser ajustado o reparado por ninguna persona, excepto por personal de mantenimiento calificado.

INSTRUCCIONES DE CONEXIÓN A TIERRA

⚠ ADVERTENCIA

El uso inadecuado del enchufe de conexión a tierra puede provocar riesgos de descargas eléctricas.



Asegúrese de contar con una conexión a tierra adecuada antes de usar.

Este electrodoméstico deberá estar conectado a tierra. En caso de que se produzca un cortocircuito, la conexión a tierra reduce el riesgo de descarga eléctrica, brindando un cable de salida de la corriente eléctrica.

Este electrodoméstico está equipado con un cable de corriente que posee un cable de conexión a tierra con un enchufe a tierra. El enchufe se deberá conectar en un tomacorriente instalado y conectado a tierra de forma adecuada.

Consulte a un electricista calificado o al personal del servicio técnico en caso de que las INSTRUCCIONES DE CONEXIÓN A TIERRA no se entiendan completamente o si tiene dudas sobre si el electrodoméstico está conectado a tierra de forma apropiada.

En caso de contar con un tomacorriente de pared estándar de 2 cables, es su responsabilidad y obligación reemplazarlo por un tomacorriente de pared de 3 cables correctamente conectado a tierra.

Bajo ninguna circunstancia corte o elimine el tercer cable (tierra) del cable de corriente.

No use un prolongador. Si el cable de corriente es demasiado corto, solicítele a un electricista o a personal del servicio técnico calificado la instalación de un tomacorriente cerca del electrodoméstico.

Para un mejor funcionamiento, conecte este electrodoméstico en su tomacorriente eléctrico a fin de evitar parpadeos de las luces, explosión del fusible o desactivación del disyuntor.

MARCAPASOS

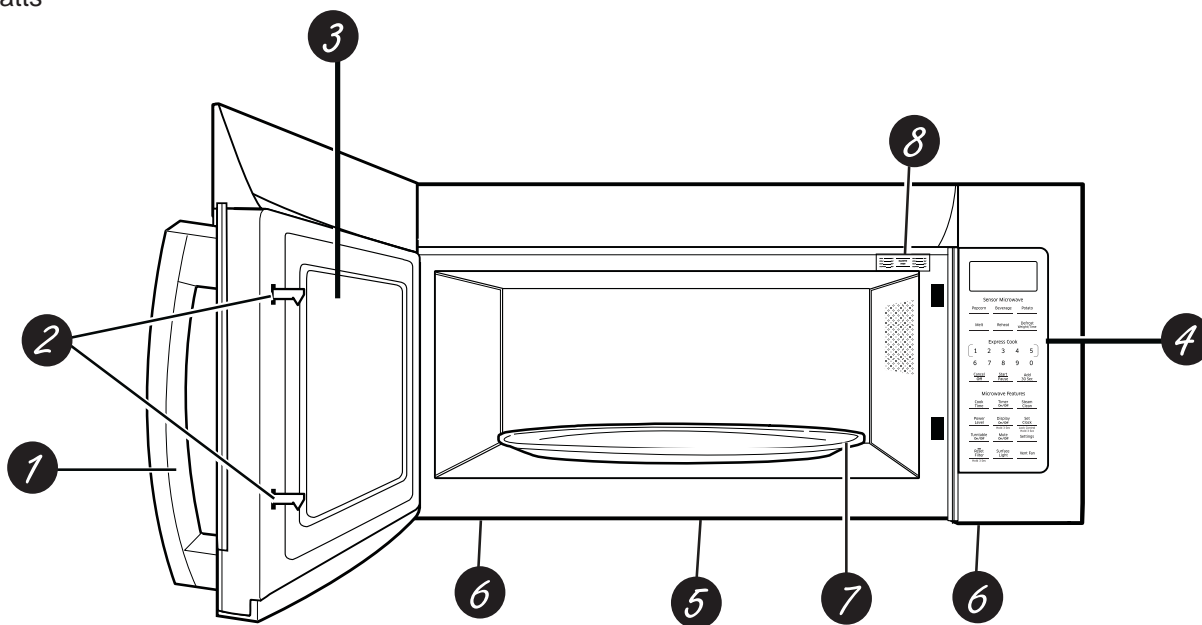
La mayoría de los marcapasos poseen protección contra interferencias de productos eléctricos, incluyendo microondas. Sin embargo, es aconsejable que los pacientes con marcapasos consulten a sus médicos ante cualquier duda.

LEA Y GUARDE ESTAS INSTRUCCIONES

Funciones

Es posible que las funciones y apariencias varíen con relación a su modelo a lo largo del manual.

1000 Watts



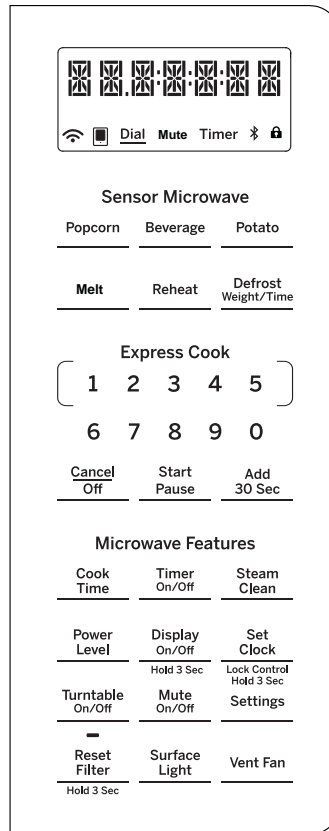
- 1. **anija de la Puerta.** Empuje para abrir la puerta. La puerta deberá estar asegurada con la traba para que las microondas se activen.
- 2. **Pestillos de la Puerta.**
- 3. **Ventana con Protector Metálico.** SLa pantalla permite que la cocción pueda ser observada mientras se mantienen las microondas dentro del horno.
- 4. **Pantalla del Panel de Control Táctil.**
- 5. **Luz de la Placa de Cocción.**
- 6. **Filtro de Grasa.**

- 7. **Plato Giratorio Extraíble.** El plato giratorio y el soporte deben estar en la ubicación correcta al usar el horno. El plato giratorio se podrá retirar para la limpieza..
- 8. **Placa de Calificación**

NOTA: La ventilación(es) del horno y la luz del horno están ubicadas en las paredes interiores del horno microondas.

Funciones

Puede usar el horno microondas por tiempo o con funciones sensor. No todos los modelos cuentan con todas las funciones.



Controles de Cocción

Consulte la Guía de Acciones Convenientes antes de comenzar.

1 Funciones del Temporizador	
Presionar	Presentar
Tiempo de Cocción	Cantidad de tiempo de cocción
Cocción Express	¡Comienza de inmediato
Agregar 30 segundos	¡Comienza de inmediato
Nivel de Potencia	Nivel de potencia de 1 a 10
Descongelar por Peso/ Tiempo	Cantidad de peso/ tiempo de descongelación

2 Funciones del Sensor	
Presionar	Presentar
Palomitas de Maíz	¡Comienza de inmediato
Bebida	¡Comienza de inmediato
Recalentar	1 a 4 comidas
Papa	¡Comienza de inmediato

Funciones

Cómo Modificar el Nivel de Potencia

El nivel de potencia se podrá ingresar o modificar de forma inmediata luego de ingresar el tiempo para Time Cook (Tiempo de Cocción), Time Defrost (Tiempo de Descongelación), Add 30 Sec (Agregar 30 Segundos) o Express Cook (Cocción Express). El nivel de potencia también se puede modificar durante la cuenta regresiva.

1. Presione **Cook Time** (Cocción por Tiempo).
2. Ingrese el tiempo de cocción o descongelación.

1	2	3	4	5
---	---	---	---	---
3. Presione **Power Level** (Nivel de Potencia).

6	7	8	9	0
---	---	---	---	---
4. Seleccione el nivel de potencia deseado de 1 a 10.
5. Presione **Start/ Pause** (Inicio/ Pausa). Presionar **Start/ Pause** (Iniciar/ Pausar) no necesariamente activa los botones de **Express Cook** (Cocción Express).

Los niveles de potencia variables suman flexibilidad a la cocción en el microondas. Los niveles de potencia del horno microondas se pueden comparar con las unidades de superficie de una cocina. Cada nivel de potencia le brinda energía de microondas un cierto porcentaje del tiempo. El Nivel de Potencia 7 es energía de microondas el 70% del tiempo. El Nivel de Potencia 3 es energía el 30% del tiempo. La mayoría de las cocciones se harán en HI (Alto), lo cual le brinda el 100% de potencia.

Power level 10 (Nivel de potencia 10) hará la cocción más rápido pero será necesario revolver, rotar o dar vuelta la comida con mayor frecuencia. Una configuración inferior hará la cocción más pareja y se necesitará revolver y rotar menos la comida.

Algunas comidas podrán tener mejor sabor, textura o aspecto si se usa una de las configuraciones inferiores. Use un nivel de potencia inferior al cocinar comidas con tendencia a hervir, tales como papas en escalope.

Los períodos de descanso (cuando los ciclos de energía de microondas finalizan) brindan tiempo para que la comida "equipare" o transfiera calor a su interior. Un ejemplo de esto se muestra con el nivel de potencia 3 - el ciclo de descongelamiento. Si la energía del microondas no finalizó el ciclo, la parte externa de la comida se cocinará antes de que el interior esté descongelado.

Estos son algunos ejemplos de usos de diferentes niveles de potencia:

Nivel de Energía 10: Pescado, tocino, verduras, líquidos en hervor.

Nivel de Energía 7: Cocción suave de carne y ave; cacerolas para hornear y recalentar.

Nivel de Energía 5: Cocción lenta y ablandamiento para guisados y cortes de carne menos tiernos.

Nivel de Potencia 2 o 3: Descongelar; hervir a fuego lento; platos delicados.

Nivel de Energía 1: Mantener la comida caliente; ablandar la manteca.

Funciones del temporizador

Tiempo de Cocción I

Le permite cocinar en el horno microondas por cualquier tiempo hasta 99 minutos y 99 segundos.

Power level 10 (Nivel de potencia 10) se configura de forma automática, pero lo puede modificar para una mayor flexibilidad.

1. Presione **Cook Time** (Tiempo de Cocción).
2. Ingrese el tiempo de cocción.

1	2	3	4	5
---	---	---	---	---
3. Modifique el nivel de potencia si no desea que esté en el nivel máximo. (Presione **Nivel de Potencia**. Seleccione el nivel de potencia deseado de 1 a 10).
4. Presione **Start/ Pause** (Iniciar/ Pausar).

Puede abrir la puerta durante Cook Time (Tiempo de Cocción) para controlar la comida. Cierre la puerta y presione Start/ Pause (Iniciar/ Pausar) para reanudar la cocción.

Tiempo de Cocción II

Le permite cambiar los niveles de energía de forma automática durante la cocción. Así es como funciona:

1. Presione **Cook Time** (Tiempo de Cocción).
2. Ingrese el primer tiempo de cocción.
3. Modifique el nivel de potencia si no desea que esté en el nivel máximo. (Presione **Nivel de Potencia**. Seleccione el nivel de potencia deseado de 1 a 10).
4. Presione nuevamente **Time Cook** (Tiempo de Cocción).
5. Ingrese el segundo tiempo de cocción.
6. Modifique el nivel de potencia si no desea que esté en el nivel máximo. (Presione **Nivel de Potencia**. Seleccione el nivel de potencia deseado de 1 a 10).
7. Presione **Start/ Pause** (Iniciar/ Pausar).

Al finalizar **Time Cook I**, **Time Cook II** (Cocción por Tiempo I, Cocción por Tiempo II) se realiza la cuenta regresiva.

Funciones del temporizador

Cocción Express

Ésta es una forma rápida de configurar el tiempo de cocción entre 1 y 6 minutos.

Presione una de las teclas de Express Cook (Cocción Express) (de 1 a 6) para una cocción de entre 1 y 6 minutos en power level 10 (nivel de potencia 10). Por ejemplo: presione la tecla 2 para un tiempo de cocción de 2 minutos.

El nivel de potencia se puede modificar mientras se está realizando la cuenta regresiva. Presione Power Level (Nivel de Potencia) e ingrese una opción del 1 al 10.

[1 2 3 4 5]

Agregar 30 segundos

Puede usar esta función de dos formas:

- Agregará 30 segundos a la cuenta regresiva cada vez que la tecla se presione.
- Se puede usar como forma rápida para configurar 30 segundos de cocción.

**Add
30 Sec**

Funciones del temporizador

Descongelación por Peso

La función Defrost Weight/Time (Descongelación por Peso/ Tiempo) le brinda dos formas de descongelar las comidas.

Presione **Defrost Weight/Time (Descongelar por Peso/ Tiempo)** una vez para descongelar por peso o dos veces para descongelar por tiempo

Use Weight Defrost (Descongelar por Peso) para carnes, aves y pescados que pesen hasta 6 libras. Use Time Defrost (Descongelar por Tiempo) para la mayoría de las demás comidas congeladas.

Defrost Weight/Time				
1	2	3	4	5
6	7	8	9	0

Weight Defrost (Descongelar por Peso) de forma automática configura los tiempos de descongelación y niveles de potencia para producir resultados de descongelación parejos con carnes, aves y pescados.

Start Pause

1. Presione **Defrost Weight/ Time (Descongelación por Peso/ Tiempo)** una vez.
2. Usando la guía de conversión, ingrese el peso de la comida. Por ejemplo: presione las teclas 1 y 2 para 1,2 libras (1 libra, 3 onzas).

3. Presione **Start/ Pause (Iniciar/ Pausar).**

(Time Defrost (Descongelación por Tiempo) se explica en la sección Time Features (Funciones del Temporizador)).

Descongelación por Tiempo

Time Defrost (Descongelación por Tiempo) le permite descongelar durante un período de tiempo seleccionado. Consulte los tiempos sugeridos en la Guía de Descongelación. (Weight Defrost (Descongelación por Peso)) se explica en la sección Auto Feature (Función Automática)).

1. Presione **Defrost Weight/ Time** (Descongelación por Peso/ Tiempo) dos veces.

2. Ingrese el tiempo de descongelación.

Defrost Weight/Time				
1	2	3	4	5
6	7	8	9	0

3. Presione **Start/ Pause** (Iniciar/ Pausar).

4. Dé vuelta la comida cuando el horno dé la señal.

5. Presione **Start/ Pause** (Iniciar/ Pausar).

Start Pause

Cuando el horno dé la señal, dé vuelta la comida y separe o reordene los trozos para una descongelación más pareja. Cubra cualquier área caliente con trozos pequeños de papel de aluminio. El horno continuará descongelando si no abre la puerta y da vuelta la comida.

El nivel de potencia se configura de forma automática en 3, pero se puede cambiar. Puede descongelar productos pequeños de forma rápida, incrementando el nivel de potencia luego de ingresar el tiempo. Power level 7 (Nivel de potencia 7) reduce el tiempo de descongelación total aproximadamente a la mitad; power level 10 (nivel de potencia 10) reduce el tiempo total a aproximadamente 1/3. Sin embargo, será necesario prestar mayor atención a la comida que lo usual.

- Retire la carne del paquete y coloque la misma en el plato de cocción segura en el microondas.
- Cuando el horno dé la señal, dé vuelta la comida. Retire la carne descongelada o cubra las partes calientes con trozos pequeños de papel de aluminio.
- Luego de descongelar, la mayoría de las carnes necesitan reposar durante 5 minutos para completar la descongelación. Al asar durante tiempo prolongado se debería dejar reposar por unos 30 minutos.

Guía de Conversión

Si el peso de la comida se expresa el libras y onzas, las onzas se deberán convertir a décimas (.1)	
Onzas	Libras
1–2	.1
3	.2
4–5	.3
6–7	.4
8	.5
9–10	.6
11	.7
12–13	.8
14–15	.9

Es posible que se escuchen ruidos de golpes secos durante la descongelación. Esto es normal cuando el horno no está funcionando en el nivel de potencia High (Alto).

Consejos para la Descongelación

- Las comidas congeladas en papel o plástico se podrán descongelar en el paquete. Los paquetes cerrados se deberán cortar, perforar o ventilar LUEGO de que la comida se haya descongelado parcialmente. Los envases de plástico se deberán descubrir en forma parcial.
- Las comidas de tamaño familiar preempaquetadas se podrán descongelar y cocinar en el horno microondas. Si la comida se encuentra en el envase de papel de aluminio, traslade la misma a un plato para uso seguro en el horno microondas.
- Para una descongelación más pareja de comidas más grandes, tales como asado, use Weight Defrost (Descongelación por Peso). Asegúrese de que las carnes queden totalmente descongeladas antes de cocinar
- Las comidas que se echan a perder con facilidad no se deberán dejar reposar por más de una hora luego de la descongelación. La temperatura ambiente estimula el desarrollo de bacterias nocivas.
- Una vez descongelada, la comida debería estar fría pero ablandada en todas las áreas. Si aún está un poco congelada, vuelva a colocarla en el horno microondas muy brevemente, o deje reposar la misma por unos pocos minutos.

Funciones del temporizador

Guía de Descongelación		
Comida	Tiempo	Comentarios
Panes, Tortas		
Panes, buñuelos o panecillos (1 trozo)	1/4 min.	
Pastelitos (12 oz. aprox.)	2 a 4 min.	Reordene luego de la mitad del tiempo.
Pescado y Mariscos		
Lomos, congelados (1 lb.)	6 a 9 min.	
Fruta		
Bolsa de plástico—1 o 2 (paquete de 10-oz.)	1 a 5 min.	
Carne		
Tocino (1 lb.)	2 a 5 min.	Coloque el paquete cerrado en el horno. Deje reposar por 5 minutos luego de la descongelación.
Salchichas Tipo Frankfurt (1 lb.)	2 a 5 min.	Coloque el paquete cerrado en el horno. Cocine en el horno microondas hasta que las salchichas tipo Frankfurt se puedan separar. Deje reposar por 5 minutos, de ser necesario, para completar la descongelación.
Carne picada (1 lb.)	4 a 6 min.	Dé vuelta luego de la primera mitad de tiempo.
Asar: Bife, cordero, ternera, cerdo	9 a 13 min. par lb.	Use el nivel de potencia 10.
Bistecs, chuletas de cerdo y cordero	4 a 8 min. par lb.	Coloque la carne aún envuelta en el plato de cocción. Dé vuelta luego de la primera mitad de tiempo y cubra las áreas calientes con papel de aluminio. Luego de la segunda mitad de tiempo, separe los trozos con un cuchillo de mesa. Espere hasta que se complete la descongelación.
Ave		
Pollo, parilla-freidora, corte (2¼ a 3 libras)	14 a 20 min.	Coloque el pollo envuelto en el plato. Desenvuelva y dé vuelta luego de la primera mitad de tiempo. Luego de la segunda mitad de tiempo, separe los trozos y coloque los mismos en un plato de cocción. Cocine en el horno microondas entre 2 y 4 minutos más, si es necesario. Deje reposar por unos pocos minutos para finalizar la descongelación.
Pollo, entero (2¼ a 3 lbs.)	20 a 25 min.	Coloque el pollo envuelto en el plato. Luego de la primera mitad de tiempo, desenvuelva y dé vuelta el pollo. Cubra las partes calientes con papel de aluminio. Para completar la descongelación, deje correr agua fría en la cavidad hasta que se puedan retirar los menudos.
Gallina de cornualle	7 a 13 min. par lb.	Coloque la gallina sin desenvolver en el horno con la pechuga hacia arriba. Dé vuelta luego de la primera mitad de tiempo. Deje correr agua por la cavidad hasta que se puedan quitar los menudos.
Pechuga de pavo (4 a 6 libras)	3 a 8 min. par lb.	Coloque la pechuga sin desenvolver en el plato para uso seguro en horno microondas con la pechuga hacia abajo. Luego de la primera mitad de tiempo, dé vuelta la pechuga hacia arriba y cubra las partes calientes con papel de aluminio. Descongele durante la segunda mitad del tiempo. Deje reposar entre 1 y 2 horas en el refrigerador para completar la descongelación.

Funciones del sensor

Sensor de Humedad

Sensor Features (Funciones del Sensor) detectan la humedad creciente liberada durante la cocción. El horno ajusta de forma automática el tiempo de cocción a diferentes tipos y cantidades de comida.

No use Sensor Features (Funciones del Sensor) dos veces seguidas en la misma porción de comida; esto podrá hacer que la comida se sobrecaliente de forma excesiva o que se quemé. Asegúrese de dejar que el horno se enfríe entre 5 y 10 minutos, antes de iniciar la siguiente cocción con sensor.

Si la comida no termina de cocinarse luego de la cuenta regresiva, use Cook Time (Tiempo de Cocción) para adicionar tiempo de cocción.

- Es esencial contar con envases y cobertores para una mejor cocción con sensor.
- Siempre utilice envases de uso seguro en el horno microondas y cubra los mismos con tapas o envoltorios de plástico ventilados. Nunca use envases de plástico sellados – pueden impedir la salida de vapor y hacer que la comida se sobrecaliente.



Cubierto

Ventilado



Seque los platos de modo que no alteren el funcionamiento del sensor.

- Asegúrese de que la parte exterior de los envases de cocción y el interior del horno microondas estén secos antes de colocar comida en el horno. Las gotas de humedad que se convierten en vapor pueden alterar el funcionamiento del sensor.

Función Popcorn (Palomitas de Maíz):

Para usar la función Popcorn (Palomitas de Maíz):

1. Siga las instrucciones del paquete, usando Cook Time (Cocción con Temporizador) si el paquete pesa menos de 2.0 onzas o supera las 3.5 onzas. Coloque el paquete de palomitas de maíz en el centro del microondas.
2. Presione **Popcorn** (Palomitas de Maíz). El horno se inicia de inmediato.

Popcorn

Use sólo con palomitas de maíz preempaquetadas para hornos de microondas que pesen entre 2.0 y 3.5 onzas.

Si encuentra que la marca de palomitas de maíz que usa no llega a cocinar o cocina de más las mismas de forma consistente, puede sumar o restar entre 20 y 30 segundos al tiempo de preparación automático.

Para agregar tiempo:

Luego de presionar **POPCORN** (Palomitas de Maíz), presione **9** inmediatamente luego de que el horno se inicie, para agregar 20 segundos adicionales al tiempo de cocción automática.

Vuelva a presionar **9** para sumar otros 10 segundos (totalizando 30 segundos) de tiempo adicional.

To subtract time:

Luego de presionar **POPCORN** (Palomitas de Maíz), presione **1** inmediatamente luego de que el horno se inicie, para restar 20 segundos al tiempo de cocción.

Vuelva a presionar **1** para reducir el tiempo de cocción otros 10 segundos (totalizando 30 segundos) menos de tiempo de cocción.

Función Bebida

Para usar la función **Beverage** (Bebida):

La función Beverage (Bebida) calienta entre 4-16 onzas individuales de cualquier bebida.

Presione la tecla **Beverage** (Bebida). El horno se inicia de inmediato.

Las bebidas calentadas con la función Beverage (Bebida) pueden quedar muy calientes. Retire el envase con cuidado.

Beverage

Funciones del sensor

Función Reheat (Recalentar)

Reheat

NOTA: No use esta función dos veces seguidas en la misma porción de comida; esto podrá hacer que la comida se sobrecaliente de forma excesiva o que se queme.

La función Reheat (Recalentar) vuelve a calendar las porciones de comidas cocinadas previamente o un plato con restos de comida.

1. Coloque la comida cubierta en el horno. Presione **Reheat** (Recalentar). El horno se inicia de inmediato.
2. Presione una de las teclas de **Express Cook** (Cocción Express) (de 1 a 4) para seleccionar la comida que desea recalentar.

Presione la Tecla	Cantidad de comida a Recalentar
1	Plato
2	Sopa
3	Verduras
4	Pasta

3. El horno emite una señal cuando se produce vapor y el tiempo restante inicia la cuenta regresiva.

No abra la puerta del horno hasta que se esté realizando la cuenta regresiva. Si se abre la puerta, cierre la misma y presione Start/ Pause (Inicio/ Pausa) de inmediato.

Luego de retirar la comida del horno, revuelva, si es posible, para emparejar la temperatura. Si la comida no se calentó lo suficiente, use Cook Time (Tiempo de Cocción) para recalentar durante más tiempo. Las comidas recalentadas podrán tener amplias variaciones de temperatura. Algunas partes de la comida podrán estar extremadamente calientes.

Si la comida no se calentó lo suficiente luego de la cuenta regresiva, use la función Cook Time (Tiempo de Cocción) para adicionar tiempo de recalentamiento.

Cómo Cambiar las Configuraciones Automáticas

- Para reducir el tiempo en un 10%:
Presione 1 luego de la tecla de función.
- Para sumar un 10% al tiempo de cocción:
Presione 9 luego de la tecla de función.

Algunas Comidas No Recomendadas para Uso con la Función de Recalentamiento:

Es mejor usar Cook Time (Tiempo de Cocción) para estas comidas:

- Productos con pan.
- Comidas que se deben recalentar sin estar cubiertas.
- Comidas que se deben revolver o girar.
- Comidas que deben tener un aspecto seco o una superficie crocante luego de recalentar.

Papa

Potato

NOTA: No use esta función dos veces seguidas en la misma porción de comida; esto podrá hacer que la comida se sobrecaliente de forma excesiva o que se queme.

1. Perfore la piel de la papa con un tenedor y coloque la misma en el horno.
2. Presione Potato (Papa). El horno se inicia de inmediato.
3. El horno emite una señal cuando se produce vapor y el tiempo restante comienza la cuenta regresiva. Si es necesario, gire o revuelva la comida.

No abra la puerta del horno hasta que se esté realizando la cuenta regresiva. Si se abre la puerta, cierre la misma y presione Start/ Pause (Iniciar/ Pausar) de inmediato.

Si la comida no termina de cocinarse luego de la cuenta regresiva, use Cook Time (Tiempo de Cocción) para adicionar tiempo de cocción.

Cómo Cambiar las Configuraciones Automáticas:

- Para reducir el tiempo en un 10%:
Presione 1 luego de la tecla de función.
- Para sumar un 10% al tiempo de cocción:
Presione 9 luego de la tecla de función.

Otras funciones

Recordatorio de Cocción Completa

Para recordarle que colocó comida en el horno, este último mostrará "End" (Fin) y emitirá un pitido una vez por minuto hasta que abra el horno o presione el botón **Cancel/ Off** (Cancelar/ Apagar).

Set Clock (Configurar el Reloj)

Presione para ingresar la hora del día o para ver la hora del día mientras cocina con el horno microondas.

1. Presione **Set Clock** (Configurar el Reloj).
2. Ingrese la hora del día.
3. Presione **Start** (Iniciar) o **Set Clock** (Configurar el Reloj).

Para controlar la hora del día mientras cocina en el horno microondas, presione la tecla Set Clock (Configurar el Reloj).

**Set
Clock**
Lock Control
Hold 3 Sec

Bloqueo para Niños

Puede bloquear el panel de control para evitar que el microondas se inicie de forma accidental o sea usado por niños.

Para bloquear o desbloquear los controles, mantenga presionado Set Clock (Configurar el Reloj) durante unos tres segundos. Cuando el panel de control esté bloqueado, se visualizará en la pantalla LOCKED (Bloqueado).

Display On/Off (Pantalla Encendida/ Apagada)

Para encender o apagar la pantalla del reloj, mantenga presionado el botón **Display On/Off** (Pantalla Encendida/ Apagada) por unos 3 segundos. La función Display On/ Off (Pantalla Encendida/ Apagada) no puede ser usada mientras una función de cocción esté en uso.

**Display
On/Off**
Hold 3 Sec

Timer On/Off (Temporizador de Encendido/ Apagado)

Timer On/ Off (Temporizador Encendido/ Apagado) funciona como un temporizador por minutos y puede ser usado en cualquier momento, incluso cuando el horno está funcionando.

1. Presione **Timer On/Off** (Temporizador Encendido/ Apagado).
2. Ingrese el tiempo de cuenta regresiva que desee.

**Timer
On/Off**

3. Presione **Timer On/Off** (Temporizador Encendido/ Apagado) para comenzar.

Cuando el tiempo concluya, el temporizador emitirá una señal. Para apagar la señal del temporizador, presione **Timer On/Off** (Temporizador Encendido/ Apagado).

NOTA: El indicador de tiempo se iluminará mientras el temporizador esté funcionando.

Start/Pause (Iniciar/ Pausar)

Además de iniciar muchas funciones, Start/ Pause (Iniciar/ Pausar) le permite dejar de cocinar sin abrir la puerta ni borrar la pantalla. Presione **Start/ Pause** (Iniciar/ Pausar) nuevamente para reiniciar el horno.

**Start
Pause**

Steam Clean (Limpieza al Vapor)

Use la función Steam Clean (Limpieza al Vapor) para limpiar la parte interna con vapor de forma fácil.

1. Presione el botón **Steam Clean** (Limpieza al Vapor).
2. Coloque el recipiente de vapor con 1/4 de taza de agua.
3. Presione el dial o **Start/Pause** (Iniciar/ Pausar) para comenzar.

4. Luego de usar Steam Clean (Limpieza al Vapor), retire el Plato Giratorio y el Soporte del Plato Giratorio y limpie la parte interna de la cavidad del horno con una toalla de papel o tela suave.

**Steam
Clean**

Turtable (Plato Giratorio)

Para obtener mejores resultados en su cocción, deje el plato giratorio encendido. Lo podrá apagar al usar platos más grandes. Presione **Turtable** (Plato Giratorio) para encender o apagar el plato giratorio.

A veces, es posible que el plato giratorio se caliente demasiado como para que se pueda tocar. Se deberá tener cuidado de no tocar el plato giratorio durante y luego de la cocción.

**Turtable
On/Off**

Otras funciones

Vent Fan (Ventilador Extractor)

El ventilador extractor elimina el vapor y otros vapores de la cocción sobre la superficie.

Presione **Vent Fan** una vez para aumentar la velocidad del ventilador, dos veces para alta velocidad del ventilador, una tercera vez para velocidad media del ventilador, una cuarta vez para baja velocidad del ventilador y una quinta vez para apagar el ventilador.

Vent Fan

Surface Light (Luz de la Superficie)

Presione esta tecla para encender o apagar la luz del horno.

Algunos modelos cuentan con la opción de luz nocturna.

Presione **Surface Light** una vez para luz alta, dos veces para luz baja y una tercera vez para apagar la luz.

Surface Light

Mute (Mudo)

El nivel de sonido del pitido se puede ubicar en mudo. Presione **Mute On/ Off** (Mudo Encendido/ Apagado).

Mute On/Off

Ventilador Automático

La función del ventilador automático protege el horno microondas de una elevación de calor excesivo proveniente de la cocina debajo de éste. Se enciende de forma automática en baja velocidad si el sensor detecta demasiado calor.

Si encendió el ventilador, es posible que observe que no lo puede apagar. El ventilador se apagará de forma automática una vez que las partes internas estén apagadas. Podrá permanecer encendido por 30 minutos o más luego de que los controles de la cocina o del horno microondas estén apagados.

Modo de Reloj

Puede modificar la pantalla del reloj a los modos de 12 hrs. o 24 hrs.

1. Presione Settings (Configuraciones).
2. Presione la tecla 1 de Express Cook (Cocción Express).
3. Selecciones 12 hrs. /24 hrs.
 - 1 - 12 hrs
 - 2- 24 hrs

Settings

Velocidad de la Pantalla

Puede modificar la velocidad de la pantalla.

1. Presione Settings (Configuraciones).
2. Presione la tecla 2 de Express Cook (Cocción Express).
3. Seleccione el nuevo tipo de velocidad:
 - 1 - lento
 - 2 - normal
 - 3 - rápido

Settings

Nivel del Sonido

Puede modificar el nivel del sonido

1. Presione Settings (Configuraciones).
2. Presione la tecla 3 de Express Cook (Cocción Express).
3. Seleccione el nivel de sonido.
 - 0 - mudo
 - 1 - bajo
 - 2 - normal
 - 3 - alto

Settings

Reset Filter (Reinicie del Filtro)

La luz se iluminará luego de aproximadamente 6 meses a fin de alertar al usuario sobre el reemplazo del filtro de carbón (si se usa) y sobre la limpieza/ reemplazo de los filtros de grasa. Reinicie manteniendo presionado durante 3 segundos.

Reset Filter

Hold 3 Sec

Recordatorio de Reemplazo del Filtro

El filtro de carbón/ grasa deberá ser reemplazado cuando esté notoriamente sucio/ descolorido (normalmente luego de entre 6 y 12 meses, dependiendo del uso de la campana) o cuando se encienda la luz LED de reemplazo del filtro.

Cuando la luz LED de Filter Replace (Reemplazo del Filtro) se encienda, reemplace el filtro y mantenga presionado Reset Filter (Reiniciar el Filtro) durante 3 segundos para realizar el reinicio.

Términos del Microondas

Arco Eléctrico Arco eléctrico es el término que se usa para definir la producción de chispas en el horno microondas. Los arcos eléctricos son producidos por:

- Metal o papel de aluminio en contacto con el costado del horno.
- Papel de aluminio no moldeado a la comida (los extremos doblados actúan como antenas).
- Metales, tales como precintos, pinchos de ave, o platos con rebordes dorados.
- Toallas de papel reciclable que contengan pequeños trozos de metal.
- Platos o vajillas con bordes metálicos o con una capa de brillo metálico.

Tapa Las tapas retienen la humedad, permiten calentar de forma más pareja y reducen el tiempo de cocción. Ventilar los envoltorios de plástico o tapas con papel para alimentos permite la salida de vapor excesivo.

Cubrir En un horno normal, usted cubre las pechugas de pollo o comidas asadas para evitar que se doren en exceso. Al cocinar en el horno microondas, deberá usar pequeñas tiras de papel de aluminio para cubrir partes pequeñas, tales como puntas de alas y patas de aves, que se podrían cocinar antes que las partes grandes.

Tiempo de Inactividad Al cocinar con hornos regulares, las comidas asadas o las tortas se pueden dejar hasta finalizar la cocción o el tiempo programado. El tiempo en espera es especialmente importante en la cocción en el horno microondas. Se debe observar que una torta cocinada en un horno microondas no se coloca en un estante de refrigeración.

Ventilación Luego de cubrir un plato con un envoltorio plástico, este último se ventila dando vuelta un extremo de modo tal que el vapor pueda salir.

Cuidado y limpieza

Consejos Útiles

Una limpieza completa de forma ocasional con una solución de bicarbonato y agua mantiene el interior fresco.

Desenchufe el cable antes de limpiar cualquier parte del horno.

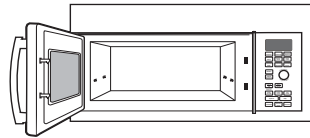


Cómo Limpiar el Interior

Paredes, Piso, Ventana Interior, Partes Metálicas y Plásticas de la Puerta

Algunas salpicaduras se pueden eliminar con una toalla de papel; otras pueden requerir una tela húmeda. Elimine salpicaduras de grasa con una tela con jabón, y luego enjuague con una tela húmeda. No use limpiadores abrasivos ni utensilios puntiagudos sobre las paredes del horno.

Para limpiar la superficie del horno y la superficie del horno que se une al cerrar, use sólo jabones suaves y no ásperos o detergentes con una esponja o tela suave. Enjuague con una tela húmeda y seca.



Nunca use un limpiador para hornos comerciales en ninguna parte de su horno microondas.

Plato Giratorio y Soporte Giratorio Extraíbles

Para evitar roturas, no coloque el plato giratorio en agua luego de cocinar. Lave el mismo cuidadosamente con agua tibia y jabón o en el lavavajillas. El plato giratorio y el soporte se pueden romper en caso de caída. Recuerde que no se debe usar el horno si el plato giratorio y el soporte no se encuentran en su lugar.



Cómo Limpiar el Área Exterior

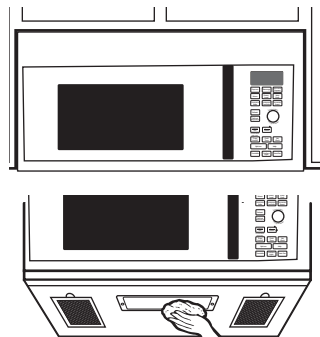
No use limpiadores que contengan amoníacos o alcohol en el horno microondas. El amoníaco o el alcohol pueden dañar el aspecto del horno microondas.

Cubierta Superior

Limpie el área exterior del horno microondas con una tela con jabón. Enjuague con una tela húmeda y luego seque. Limpie la ventana con una tela húmeda.

Panel de Control y Puerta

Limpie con una tela húmeda. Seque totalmente. No use espráis limpiadores, grandes cantidades de agua y jabón, objetos abrasivos o puntiagudos sobre el panel, ya que lo pueden dañar. Algunas toallas de papel también pueden rayar el panel de control.



Superficie de la Puerta

Es importante mantener el área limpia donde la puerta se selle contra el horno microondas. Use sólo detergentes suaves y no abrasivos con una esponja limpia o tela suave. Enjuague bien.

Cable de Corriente

Si el cable se ensucia, desenchufe y lave con una tela húmeda. En caso de manchas difíciles de quitar, se podrá usar agua con jabón, pero asegúrese de enjuagar con una tela húmeda y de secar completamente antes de conectar el cable en el tomacorriente.

Acero Inoxidable (en algunos modelos)

No use virutas de acero; éstas dañarán la superficie.

Para limpiar la superficie de acero inoxidable, use una tela caliente y húmeda con un detergente suave adecuado para superficies de acero inoxidable. Use una tela limpia, caliente y húmeda para eliminar el jabón. Seque con una tela limpia y seca. Siempre friegue la superficie en la dirección del veteado.

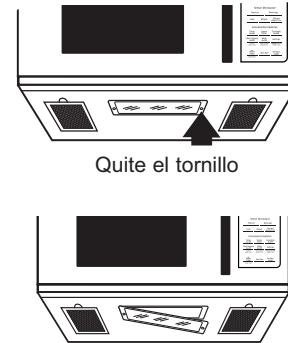
Cuidado y limpieza

Luz de la Cocina/ Luz Nocturna

Reemplace por lámparas halógenas de 120 voltios y 50 watts (máximo). Vea la contraportada para ordenar en línea en GEAppliances.com.

1. Para reemplazar la luz de la cocina/ luz nocturna, primero desconecte el encendido del fusible principal o del panel del disyuntor, o desenchufe el cable.
2. Retire el tornillo del costado de la tapa del compartimiento de la luz y baje la tapa hasta que se detenga.
3. Asegúrese de que la lámpara se enfríe antes de retirar la misma. Rompa el sello adhesivo desenroscando la lámpara de forma suave.

4. Enrosque la nueva lámpara, luego levante la tapa de la luz y vuelva a colocar el tornillo. Conecte el cable de electricidad del horno.



Ventilador

El ventilador cuenta un filtro de grasa metálico reusable.

Los modelos que hacen recircular el aire nuevamente hacia la habitación también usan un filtro de carbón.



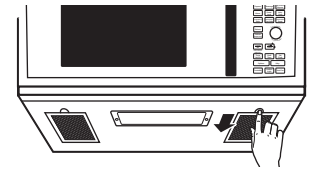
Filtro de Grasa Reusable

El filtro de grasa reusable atrapa la grasa liberada por las comidas en la placa de cocción. También evita que las llamas de las comidas en la placa de cocción dañen el interior del horno microondas.

Por esta razón, los filtros SIEMPRE deben estar en el lugar correcto cuando se use la campana. Los filtros de grasa deberían ser limpiados una vez por mes, o cuando sea necesario..

Retiro y Limpieza de los Filtros de Grasa

Para retirarlos, deslice los mismos sobre la parte trasera usando las lengüetas. Empuje hacia abajo y afuera.



Para limpiar los filtros de grasa, moje los mismos y luego agítelos en agua caliente y detergente. No use amoníaco ni productos de amoníaco, ya que oscurecerán el metal. Se podrá cepillar suavemente para retirar la suciedad incrustada.

Enjuague, sacuda y deje secar antes de realizar el reemplazo.

Para volver a colocarlos, deslice los filtros por las ranuras de la estructura en la parte trasera de cada abertura. Presione hacia arriba y hacia el frente para que queden bloqueados.

Filtros de carbón vegeta

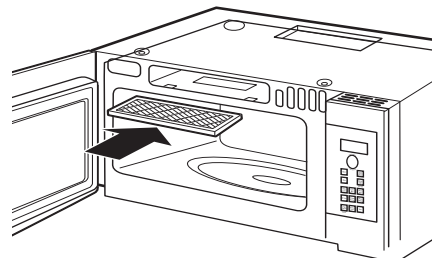
El filtro de carbón vegetal no puede limpiarse. Debe cambiarse por otro. **Vea la contraportada para ordenar en línea en GEAppliances.com.**

Si el modelo no realiza la extracción al exterior, el aire recirculará a través de un filtro de carbón vegetal no reutilizable que ayuda a quitar olores y humos.

El filtro de carbón vegetal debería cambiarse cuando está visiblemente sucio o descolorido (normalmente tras 6 o 12 meses, según el uso). Consulte **Kits opcionales** en la página 22 para obtener más información.

REEMPLAZO DEL FILTRO DE CARBÓN

1. Desenchufe el horno microondas
2. Retire los tornillos de montaje de la rejilla de ventilación.
3. Incline la parrilla hacia adelante, y luego levante la misma para su retiro.
4. Retire el filtro de carbón.
5. Deslice el nuevo filtro de carbón hasta su posición.
6. Deslice la parte inferior de la rejilla de la ventana hasta su posición. Empuje la parte superior hasta que calce en su posición. Reemplace los tornillos de montaje
7. Enchufe el horno microondas.



Resolución de Problemas

Problema	Causa Posible	Qué Hacer
El horno no se inicia	Es posible que un fusible de su hogar se haya quemado o que el disyuntor se haya desconectado.	• Reemplace el fusible o reinicie el disyuntor.
	Pico de tensión.	• Desenchufe el horno microondas; luego vuelva a enchufarlo.
	El enchufe no está totalmente insertado en el tomacorriente.	• Asegúrese de que el cable de 3 patas del horno esté completamente insertado en el tomacorriente.
	La puerta no está cerrada de forma segura.	• Abra la puerta y cierre la misma de forma segura.
El piso del horno está caliente, incluso cuando el horno no fue usado.	El calor de la luz de la placa de cocción podrá hacer que el piso del horno se caliente.	• Esto es normal..
“LOCKED” (Bloqueado) aparece en la pantalla	El control fue bloqueado.	• Mantenga presionado SET CLOCK (Configurar el Reloj) por unos 3 segundos para desbloquear el control.
Escucha un atípico pitido en tono bajo	Intentó iniciar el Recordatorio sin una hora del día válida.	• Comience nuevamente e ingrese una hora del día válida.
	Intentó cambiar el nivel de potencia cuando no es permitido.	• Muchas de las funciones del horno están preconfiguradas y no se pueden modificar.
“SENSOR ERROR” (Error del Sensor) aparece en la pantalla.	Al usar una función de Sensor, la puerta fue abierta antes de que se pudiera detectar el vapor.	• No abra la puerta hasta que se sienta el vapor y el tiempo se muestre en cuenta regresiva en la pantalla.
	No se detectó vapor en una cantidad de tiempo máxima.	• Use Time Cook (Cocción por Tiempo) para calentar durante más tiempo.
Cantidad de comida demasiado grande para el Sensor	Sensor Reheat (Recalentar con Sensor) es para porciones individuales de comidas recomendadas.	• Use Time Cook (Cocción por Tiempo) para grandes cantidades de comida.

Cosas que son Normales de su Horno Microondas

- Cosas que son Normales de su Horno Microondas
- Reflejo de luz alrededor de la puerta o la cubierta exterior.
- Luz del horno tenue y cambio del sonido del pitido en niveles de potencia que no son altos.
- Ruido de golpes secos mientras el horno está en funcionamiento.

COMISIÓN DE COMUNICACIONES FEDERALES (EE.UU.) DECLARACIÓN DE INTERFERENCIA DE RADIO FRECUENCIA

Este equipo genera y usa energía de frecuencia ISM y si no es instalado y usado de forma adecuada, en cumplimiento estricto con las instrucciones del fabricante, se podrán ocasionar interferencias en la recepción de radio y televisión. Se realizó una evaluación por tipo y se encontró en cumplimiento con los límites de un equipo ISM, de acuerdo con la parte 18 de las Reglas FCC, que fueron diseñadas para brindar una protección razonable contra dichas interferencias en una instalación residencial. Sin embargo, no se garantiza que no se presenten interferencias en una instalación en particular. Si el equipo provoca interferencias en la recepción de radio o televisión, lo que se puede determinar encendiendo y apagando el equipo, se aconseja al usuario que intente corregir la interferencia a través de una o más de las siguientes medidas:

- Reoriente la antena receptora de radio o televisión.
- Reubique el horno microondas con respecto al receptor.
- Coloque el horno microondas alejado del receptor.
- Enchufe el horno microondas en un tomacorriente diferente, de modo que el horno microondas y el receptor estén en diferentes circuitos de empalmes.

El fabricante no es responsable de cualquier interferencia de radio o TV ocasionada por una modificación no autorizada sobre este horno microondas. Es responsabilidad del usuario corregir dicha interferencia.

Garantía Limitada de Horno Microondas GE Appliances

GARANTÍA LIMITADA

GEAppliances.com

Todo el servicio de garantía es provisto por nuestros Centros de Servicio de Fabricación, o un técnico autorizado de Servicio. Para programar una visita del servicio técnico a través de Internet, visítenos en GEappliances.com/service. o comuníquese al 800.432.2737 durante el horario de atención comercial.

Por el período de	GE Appliances Reemplazará:
Un año Desde la fecha de compra original	Cualquier parte del horno que falle debido a un defecto en los materiales o mano de obra. Durante esta garantía limitada de un año , GE Appliances también proveerá, sin costo, todo el trabajo y los costos del servicio relacionado con el reemplazo de la parte que presente defectos.

Lo que GE Appliances no cubrirá:

- Viajes del técnico del servicio a su hogar para enseñarle sobre cómo usar el producto.
- Instalación, entrega o mantenimiento inadecuados. Si tiene un problema con la instalación, comuníquese con su vendedor o instalador. Usted es responsable de brindar instalaciones adecuadas de conexión eléctrica, escape u otras instalaciones de conexión.
- Falla del producto o daño sobre el producto si se produce un abuso, uso inadecuado (por ejemplo: arco eléctrico en una cavidad de la rejilla o metal/ papel de aluminio), o uso diferente para el cual fue diseñado o uso comercial.
- Reemplazo de fusibles de la casa o reinicio de disyuntores.
- Daños ocasionados sobre el producto por accidente, incendio, inundaciones o catástrofes naturales.
- Daños consecuentes o incidentales causados por posibles defectos sobre este producto.
- Daño causado después de la entrega.
- Producto no accesible para brindar el servicio requerido.
- Solicite el servicio técnico para reparar o reemplazar las lámparas, excepto las lámparas LED.
- Daños sobre el acabado, tales como óxido sobre la superficie, deslustres o manchas pequeñas no informadas dentro de las 48 horas luego de la entrega.

EXCLUSIÓN DE GARANTÍAS IMPLÍCITAS

Su única y exclusiva alternativa es la reparación del producto, como se indica en la Garantía Limitada. Las garantías implícitas, incluyendo garantías implícitas de comerciabilidad o conveniencia sobre un propósito particular, se limitan a un año o al período más corto permitido por la ley.

Esta garantía limitada se extiende al comprador original y a cualquier dueño subsiguiente de productos comprados para uso hogareño dentro de EE.UU. Si el producto está en un área donde no se encuentra disponible un Proveedor Autorizado del Servicio Técnico de GE Appliances, usted será responsable por el costo de un viaje o se podrá requerir que traiga el producto a una ubicación del Servicio Técnico de GE Appliances autorizado para recibir el servicio. En Alaska, la garantía limitada excluye el costo de envío o llamadas del servicio a su hogar.

Algunos estados no permiten la exclusión o limitación de daños fortuitos o consecuentes. Esta garantía limitada le da derechos legales específicos y es posible que tenga otros derechos legales que varían entre un estado y otro. Para conocer cuáles son sus derechos legales, consulte a la oficina de asuntos del consumidor local o estatal o al Fiscal de su estado.

Garante: GE Appliances, a Haier Company

Louisville KY, 40225

Abroche su recibo aquí. Para acceder al servicio técnico de acuerdo con la garantía deberá contar con la prueba de la fecha original de compra.

Kits opcionales

Kits del Panel de Relleno

JX36BWW – Blanco

JX36BBB – Negro

JX36BSS – Acero inoxidable

JX36BES – Pizarra

JX36BTS – Acero inoxidable negro

JX36BDS – Pizarra oscura

Al reemplazar una campana de estufa de 36", los kits del panel de relleno completan el ancho adicional a fin de brindar un aspecto de construcción a medida.

Sólo para instalación entre gabinetes; no apto para la instalación al final del gabinete. Cada kit cuenta con dos paneles de relleno de 3" de ancho.

Kit del Filtro de Carbón con Recirculación

WB06X10807 or JX81P - Filtro de Carbón

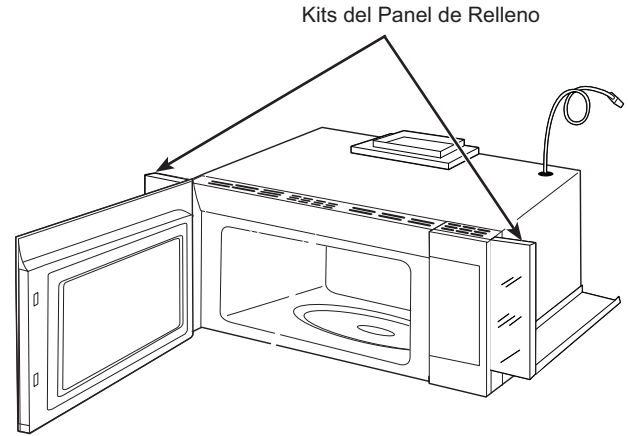
Los kits del filtro se utilizan cuando el horno microondas no puede ser ventilado hacia el exterior.

Kit de Instalación del Gabinete de 15"

JX15BUMPBB - Negro

JX15BAMPW - Blanco

Para uso al instalar con gabinetes de 15" de profundidad. Disponible por un costo adicional a través de su proveedor de GE Appliances. Consulte la contraportada para realizar pedidos por teléfono o en GEAppliances.com.



Soporte para el Consumidor

Sitio Web de GE Appliances

¿Desea realizar una consulta o necesita ayuda con su electrodoméstico? ¡Intente a través del Sitio Web de GE Appliances las 24 horas del día, cualquier día del año! Usted también puede comprar más electrodomésticos maravillosos de GE Appliances y aprovechar todos nuestros servicios de soporte a través de Internet, diseñados para su conveniencia.

En EE.UU.: GEAppliances.com

Registre su Electrodoméstico

¡Registre su electrodoméstico nuevo a través de Internet, según su conveniencia! Un registro puntual de su producto permitirá una mejor comunicación y un servicio más puntual de acuerdo con los términos de su garantía, en caso de surgir la necesidad. También puede enviar una carta en la tarjeta de inscripción preimpresa que se incluye con el material embalado.

En EE.UU.: GEAppliances.com/register

Servicio Programado

El servicio de reparación de expertos de GE Appliances está a sólo un paso de su puerta. Conéctese a través de Internet y programe su servicio a su conveniencia cualquier día del año. En EE.UU.: GEappliances.com/service o comuníquese al 800.432.2737 durante el horario de atención comercial.

Piezas y Accesorios

Aquellos individuos calificados para realizar el servicio técnico de sus propios electrodomésticos podrán solicitar el envío de piezas o accesorios directamente a sus hogares (se aceptan las tarjetas VISA, MasterCard y Discover). Ordene hoy a través de Internet durante las 24 horas, todos los días. En EE.UU.: GEApplianceparts.com o de forma telefónica al 800.432.2737 durante el horario de atención comercial.

Contáctenos

Si no se encuentra satisfecho con el servicio que recibió de GE Appliances, comuníquese con nosotros a través de nuestro sitio Web con todos los detalles, incluyendo su número telefónico, o escriba a:

En EE.UU.: General Manager, Customer Relations | GE Appliances, Appliance Park | Louisville, KY 40225
GEAppliances.com/contact