

This Owner's Manual is provided and hosted by [Appliance Factory Parts](#).



GE GFWN1100L1WW Owner's Manual

[Shop genuine replacement parts for GE
GFWN1100L1WW](#)



[Find Your GE Washer Parts - Select From 4592 Models](#)

----- Manual continues below part list -----

Available Replacement Parts for GE GFWN1100L1WW

WH07X10016-NEW	ITEM DRIVE PULLEY KIT
WH01X10343	DAMPER-SHOCK
WH05X10009	SUSPENSION_SPRING



Washers

Safety Instructions 2, 3

Operating Instructions

Control Panels 4-7

Features 8-9

Loading and Using the Washer 10, 11

Cleaning the Washer 12-14

Installation Instructions 15-20

Preparing to Install Your Washer 15

Rough-In Dimensions 16

Location of Your Washer 16

Unpacking Your Washer 17

Drain Requirements 18

Electrical Requirements 18

Water Supply Requirements 18

Installing the Washer 19, 20

Replacement Parts 20

Troubleshooting Tips 21-24

Consumer Support

Warranty 25

Service Telephone Numbers 26

Owner's Manual & Installation Instructions

GFWN1100

GFWN1200

GFWH1200

GMAN1200

GFWH1300

GFWN1300

GFWH1400

GFWH1405

GFWS1500

GFWS1505

English/Français/Español



As an ENERGY STAR® partner, GE has determined that this product meets the ENERGY STAR® guidelines for energy efficiency.

Write the model and serial numbers here:

Model # _____

Serial # _____

You can find them on a label on the side of the washer.

IMPORTANT SAFETY INFORMATION.

READ ALL INSTRUCTIONS BEFORE USING.



This is the safety alert symbol. This symbol alerts you to potential hazards that can kill you or hurt you and others. All safety messages will follow the safety alert symbol and the word "DANGER", "WARNING", or "CAUTION". These words are defined as:



DANGER

Indicates a hazardous situation which, if not avoided, **will** result in death or serious injury.



WARNING

Indicates a hazardous situation which, if not avoided, **could** result in death or serious injury.



CAUTION

Indicates a hazardous situation which, if not avoided, **could** result in minor or moderate injury.

IMPORTANT SAFETY INSTRUCTIONS



WARNING

To reduce the risk of death, fire, explosion, electric shock, or injury to persons when using your appliance, follow basic precautions, including the following:

- Read all instructions before using the appliance.
- DO NOT wash or dry articles that have been previously cleaned in, washed in, soaked in or spotted with gasoline, dry-cleaning solvents, or other flammable or explosive substances, as they give off vapors that could ignite or explode.
- DO NOT add gasoline, dry-cleaning solvents, or other flammable or explosive substances to the wash water. These substances give off vapors that could ignite or explode.
- Under certain conditions, hydrogen gas may be produced in a hot-water system that has not been used for 2 weeks or more. HYDROGEN GAS IS EXPLOSIVE. If the hot water system has not been used for such a period, before using a washing machine, turn on all hot-water faucets and let the water flow from each for several minutes. This will release any accumulated hydrogen gas. As the gas is flammable, DO NOT smoke or use an open flame during this time.
- DO NOT allow children to play on or in this appliance. Close supervision of children is necessary when this appliance is used near children. Before the washer is removed from service or discarded, remove the door or lid. Failure to follow these instructions may result in death or injury to persons.
- DO NOT reach into the appliance if the tub or agitator is moving to prevent accidental entanglement.
- DO NOT install or store this appliance where it will be exposed to the weather.
- DO NOT tamper with controls, repair or replace any part of this appliance or attempt any servicing unless specifically recommended in the user maintenance instructions or in published user repair instructions that you understand and have the skills to carry out.
- Keep the area around your appliance clean and dry to reduce the possibility of slipping.
- DO NOT operate this appliance if it is damaged, malfunctioning, partially disassembled, or has missing or broken parts including a damaged cord or plug.
- Unplug the appliance or turn off the circuit breaker before servicing. Pressing the **Power** button DOES NOT disconnect power.
- See "Electrical Requirements" located in the Installation Instructions for grounding instructions.

SAVE THESE INSTRUCTIONS

PROPER INSTALLATION



This washer must be properly installed and located in accordance with the Installation Instructions before it is used. If you did not receive an Installation Instructions, you can receive one by visiting GEAppliances.com or by calling 800.GE.CARES (800.432.2737).

- Ensure that the hot water hose is connected to the "H" (internal red screened) valve and the cold water hose is connected to the "C" (internal blue screened) valve.
- Install or store where it will not be exposed to temperatures below freezing or exposed to the weather, which could cause permanent damage and invalidate the warranty.
- Properly ground washer to conform with all governing codes and ordinances. Follow details in Installation Instructions.

- This washer does not include water supply hoses.

GE strongly recommends the use of factory specified parts. A list of factory hoses available for purchase are listed below. These hoses are manufactured and tested to meet GE specifications.

GE strongly recommends the use of new water supply hoses. Hoses degrade over time and need to be replaced every 5 years to reduce the risk of hose failures and water damage.

Parts and Accessories

Order on-line at GEApplianceparts.com today, 24 hours a day or by phone at 800.626.2002 during normal business hours.

Part Number	Accessory
PM14X10002	4 ft Rubber Water Supply Hoses
Or	
PM14X10005	4 ft Braided Metal Water Supply Hoses
WX10X10011	Tide® Washing Machine Cleaner*
WX7X1	Washer Floor Tray



WARNING - Electrical Shock Hazard



Plug into a grounded 3 prong outlet.

DO NOT remove ground prong.

DO NOT use an adapter.

DO NOT use an extension cord.

Failure to do so can result in death, fire or electrical shock.

WHEN NOT IN USE



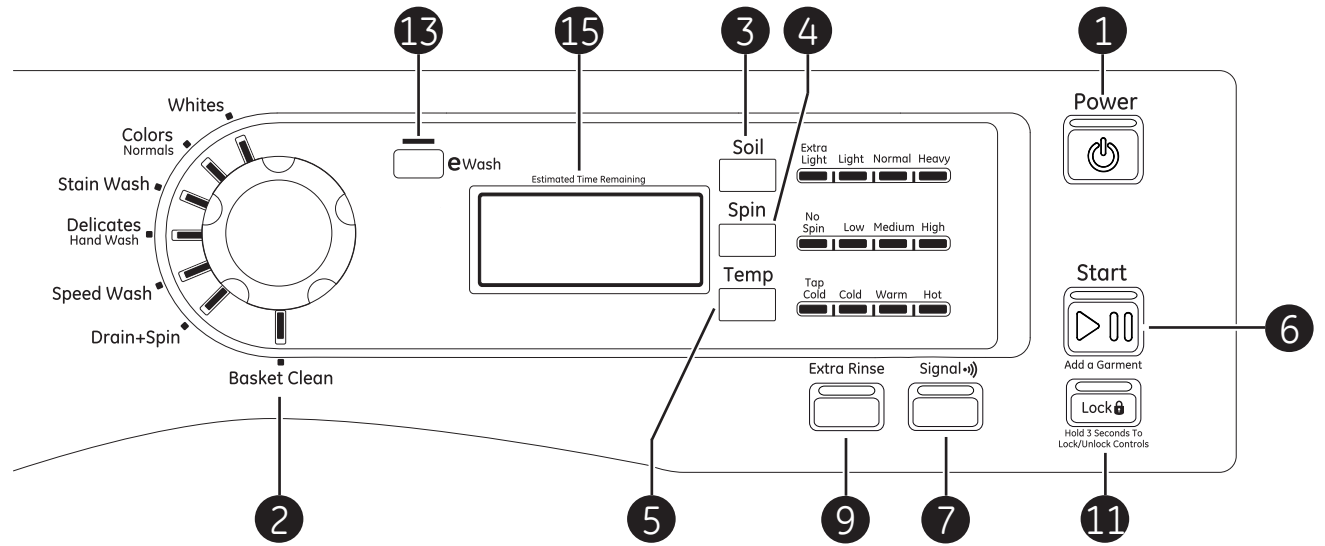
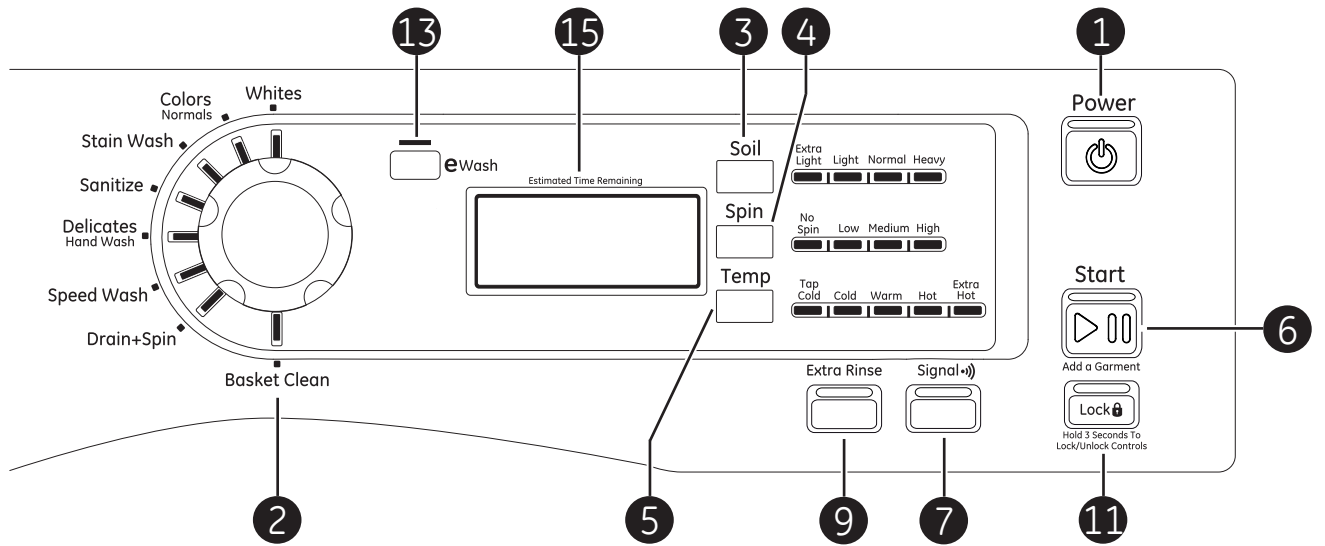
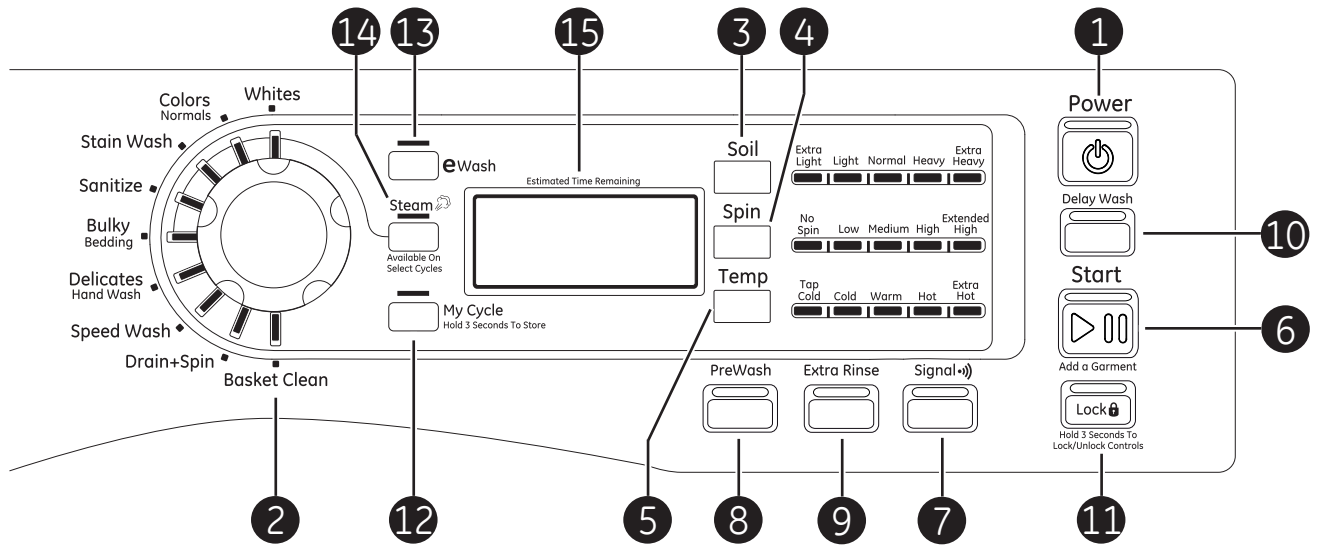
- Turn off water faucets to minimize leakage if a break or rupture should occur. Check the condition of the fill hoses; GE recommends changing the hoses every 5 years.

SAVE THESE INSTRUCTIONS

* Tide® is a registered trademark of Procter & Gamble

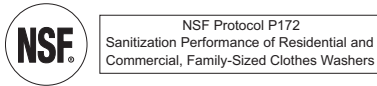
About the washer control panel.

Find the illustration that closely matches your model and see the descriptions for details.



- Power**
Press to “wake up” the display. If the display is active, press to put the washer into standby mode.
NOTE: Pressing **Power** does not disconnect the appliance from the power supply.

- Wash Cycles**
The wash cycles are optimized for specific types of wash loads. The chart below will help you match the wash setting with the loads. The GentleClean™ lifters lightly tumble the clothes into the water and detergent solution to clean the load.

Whites	For heavily to lightly soiled white laundry.
Colors/Normals	For heavily to lightly soiled colorfast cottons, household linens, work and play clothes.
Stain Wash	For heavily soiled colorfast laundry.
Sanitize (on some models)	When selecting sanitize, the washer increases the water temperature to sanitize and remove 99.9% of bacteria found in home laundry. For best results, select the heavy soil setting when using the sanitize cycle.
	
Bulky Bedding (on some models)	For large coats, bed spreads, mattress covers, sleeping bags and similar large and bulky items. Large items such as blankets, comforters, jackets and small rugs.
Delicates Hand Wash	For lingerie and special-care fabrics with light to normal soil. Provides gentle tumbling and soak during wash and rinse.
Speed Wash	For lightly soiled items that are needed in a hurry. Cycle time is approximately 30 minutes, depending on selected options.
Drain & Spin	Drain and spin at any time.
Basket Clean	Use for cleaning the basket of residue and odor. Recommended use of once per month. NOTE: Never load laundry while using Basket Clean . The laundry may become damaged or contaminated. See the Care and Cleaning section.

- Soil Level**
Changing the **Soil** level increases or decreases the wash time to remove different amounts of soil. To change the **Soil** level, press the **Soil** level pad until you have reached the desired setting.

- Spin Speed**
Changing the **Spin** speed changes the final spin speed of the cycles. Always follow the fabric manufacturer’s care label when changing the spin speed.
To change the spin speed, press the **Spin** speed pad until you have reached the desired setting. Higher spin speeds are not available on certain cycles, such as **Delicates**.
Higher spin speeds remove more water from the clothes and will help reduce dry time, but may also increase the possibility of setting wrinkles on some fabrics.

- Wash Temp**
Adjust to select the proper water temperature for the wash cycle. The prewash and rinse water is always cold to help reduce energy usage and reduce setting of stains and wrinkles. Follow the fabric manufacturer’s care label when selecting the wash temperature.
To change the wash temperature, press the **Wash Temp** pad until you have reached the desired setting.

NOTE: The first 10 seconds of the wash fill is always cold. This feature assists in conditioning the fabric and preventing stains from setting on garments.

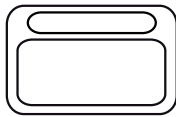
- Start/Add a Garment**
Press to start a wash cycle. If the washer is running, pressing it once will pause the washer and unlock the door. Press again to restart the wash cycle.

NOTE: If the washer is paused and the cycle is not restarted within 2 hours, the current wash cycle will be cancelled.

NOTE: The washer performs automatic system checks after pressing the **Start** pad. Water will flow in 45 seconds or less. You may hear the door lock and unlock before water flows; this is normal.

About the washer control panel.

7

Signal 

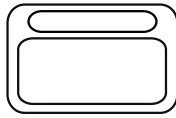
Cycle Signal

Use the **Signal** pad to change the volume of the end of cycle signal.

Press the pad until you reach the desired volume.

8

PreWash



Prewash (on some models)

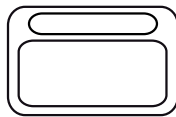
Prewash is an extra wash before the main wash. Use it for heavily soiled clothes or for clothes with a care label that recommends prewashing before washing. Be sure to add high-efficiency

detergent, or the proper wash additive to the prewash dispenser.

NOTE: When selecting prewash, it is recommended to use powder detergent in the main wash (detergent) compartment.

9

Extra Rinse

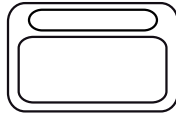


Extra Rinse

Use an extra rinse when additional rinsing is desired to remove excess dirt and detergent from soiled loads.

10

Delay Wash



Delay Wash (on some models)

You can delay the start of a wash cycle for 10–18 hours, depending on the model. Press the **Delay Wash** pad to choose the number of hours you want to delay the start of the cycle, then press the **Start** pad. The machine will count down and start automatically at the correct time.

NOTE: If you forget to fully close the door, a reminder signal will beep reminding you to do so.

NOTE: If you open the door when the delay is counting down, the machine will enter the pause state. You must close the door and press **Start** again in order to restart the countdown.

11



Hold 3 Seconds To
Lock/Unlock Controls

Lock

You can lock the controls to prevent any selections from being made. Or you can lock the controls after you have started a cycle.

Children cannot accidentally start the washer by touching pads with this option selected.

To lock the washer controls, press and hold the **Lock** pad for 3 seconds.

To unlock the washer controls, press and hold the **Lock** pad for 3 seconds.

The control lock icon on the display will light up when it is on.

NOTE: The **Power** pad can still be used when the machine is locked.

12



My Cycle
Hold 3 Seconds To Store

My Cycle (on some models)

To save a favorite cycle, set the desired settings for wash cycle, soil level, spin speed and wash temp settings and hold down the **My Cycle** pad for 3 seconds. A beep will sound to indicate the cycle has been saved.

To use your custom cycle, press the **My Cycle** pad before washing a load.

To change the saved cycle, set the desired settings and hold down the **My Cycle** pad for 3 seconds.

NOTE: When using **My Cycle**, wash options cannot be modified after the cycle has been started.

NOTE: If you change wash options with **My Cycle** before starting the cycle, the **My Cycle** light will turn off and you will be returned to the base cycle.

13



eWash (Energy Saving Wash)

Use **eWASH** to save energy on specified wash cycles. **eWASH** cannot be used with **Steam Refresh**, **Stain Wash** or **Basket Clean**.

14



Available On
Select Cycles

Steam (on some models)

Steam adds steam into the washer during **Whites**, **Colors/Normals**, **Stain Wash**, **Sanitize** or **Bulky Bedding** cycles.

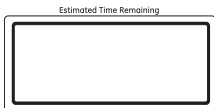
To use:

1. Turn **Power** on and select a wash cycle.

The **Steam** option is only available on **Whites**, **Colors/Normals**, **Stain Wash**, **Sanitize** or **Bulky Bedding** cycles.

2. Press **Steam** pad to activate.
3. Press the **Start** pad.

15



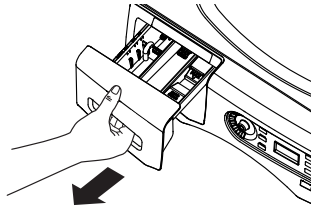
Display

The display shows the approximate time remaining until the end of the cycle.

NOTE: The cycle time is affected by how long it takes the washer to fill. This depends on the water pressure in your home.

About the washer features.

NOTE: Features may not be available on all washer models.

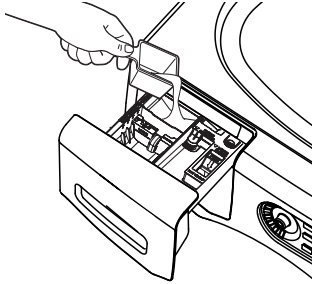


The Dispenser Drawer

Slowly open the dispenser drawer by pulling it out until it stops.

After adding laundry products, slowly close the dispenser drawer. Closing the drawer too quickly could result in early dispensing of the bleach, fabric softener or detergent.

You may see water in the bleach and fabric softener compartments at the end of the cycle. This is a result of the flushing/siphoning action and is part of the normal operation of the washer.



The Prewash Compartment (on some models)

- Only use the Prewash Compartment if you are selecting the Prewash cycle for heavily soiled clothes. Add measured detergent or prewash additive to the back left prewash compartment of the dispenser drawer.

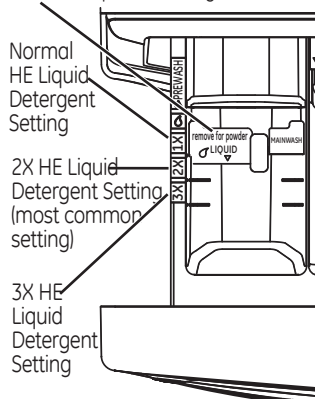
- Detergent or prewash additive is flushed from the dispenser in the prewash cycle (if selected).

NOTE: Liquid detergent will drain into the washer drum as it is added.

- Detergent usage may need to be adjusted for water temperature, water hardness, size and soil level of the load. Avoid using too much detergent in your washer as it can lead to over sudsing and detergent residue being left on the clothes.

On some models:

Remove for powder detergent



Appearance may vary

The Detergent Compartment

- High-efficiency detergent is required for this washer. Use the detergent manufacturer's recommended amount.

The detergent selection insert must be placed in the detergent compartment in a specific position according to what type of detergent you are using.

- Powder Detergent** – Remove the detergent selection insert.

- Liquid Detergent** – You will need to adjust the insert according to the type of Liquid Detergent you are using. The icons on the side of the detergent compartment must line up on the center when the insert is in position.

Move the insert by pulling it up and replace it by sliding it down between either the rear or front detergent compartment molded rails, as desired, for liquid detergent. Remove for powder detergent.

- Add measured detergent to the front left detergent compartment of the dispenser drawer.

- Detergent is flushed from the dispenser at the beginning of the wash cycle. Either powdered or liquid detergent can be used.

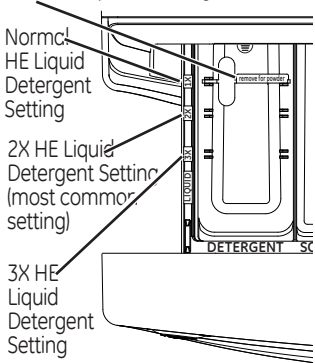
- Detergent usage may need to be adjusted for water temperature, water hardness, size and soil level of the load. Avoid using too much detergent in your washer as it can lead to oversudsing and detergent residue being left on the clothes.

- Using more detergent than the recommended quantity can cause residue buildup on your washer.

NOTE: Not all models have the 2x and 3x detergent settings. Some have only regular HE detergent settings. You must reduce the amount of detergent for 2x or 3x detergent per bottle instructions.

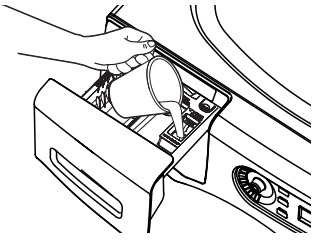
On some models:

Remove for powder detergent



Appearance may vary

On some models:



The Liquid Bleach Compartment

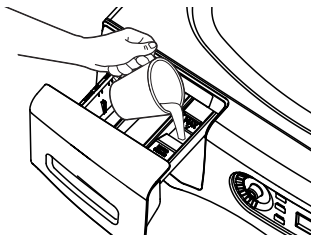
IMPORTANT: The bleach compartment position varies by model. Be sure to identify the correct compartment for bleach before using.

If desired, measure out the recommended amount of liquid bleach, not to exceed 1/3 cup (80 ml), and pour into the right compartment labeled "LIQUID BLEACH".

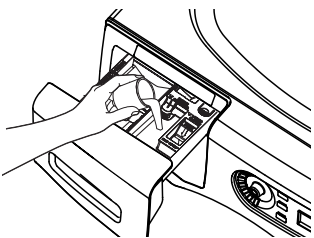
Do not exceed the maximum fill line. Overfilling can cause early dispensing of the bleach which could result in damaged clothes.

NOTE: Do not use powdered bleach in the dispenser.

On some models:



On some models:



The Fabric Softener Compartment

IMPORTANT: The fabric softener compartment position varies by model. Be sure to identify the correct compartment for fabric softener before using.

If desired, pour the recommended amount of liquid fabric softener into the compartment labeled "FABRIC SOFTENER."

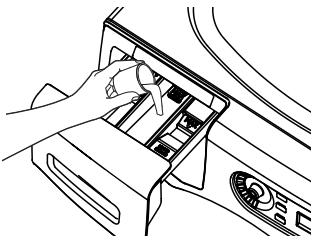
Use only liquid fabric softener in the dispenser.

Dilute with water to the maximum fill line.

Do not exceed the maximum fill line. Overfilling can cause early dispensing of the fabric softener which could stain clothes.

NOTE: Do not pour fabric softener directly on the wash load.

On some models:



Loading and using the washer.

Always follow fabric manufacturer's care label when laundering.



Sorting Wash Loads

Sort laundry into loads that can be washed together.

Colors	Soil	Fabric	Lint
Whites	Heavy	Delicates	Lint Producers
Lights	Normal	Easy Care	Lint Collectors
Darks	Light	Sturdy Cottons	

- Combine large and small items in a load. Load large items first. Large items should not be more than half the total wash load.
- Washing single items is not recommended. This may cause an out-of-balance load. Add one or two similar items.
- Pillows and comforters should not be mixed with other items. This may cause an out-of-balance load.

WARNING



- Fire Hazard

Never place items in the washer that are dampened with gasoline or other flammable liquids. No washer can completely remove oil. Do not dry anything that has ever had any type of oil on it (including cooking oils). Doing so so can result in death, explosion, or fire.

Preparing Clothes

- To avoid snags during washing:
 - Follow these steps to maximize garment care.
 - Close garment zippers, snaps, buttons and hooks.
 - Mend seams, hems, tears.
 - Empty all items from pockets.
 - Remove nonwashable garment accessories such as ornaments and nonwashable trim materials.
- To avoid tangling, tie strings, draw ties and belt-like materials.
- Brush away surface dirt and lint; treat spots and stains.
- Promptly wash wet or stained garments to maximize results.
- Mix garments using recommended maximum load sizes on page 11.
- Use nylon mesh garment bags to wash small items.
- Wash multiple garments at one time for best results.



Loading the Washer

Wash drum may be fully loaded with loosely added items. **Do not wash fabrics containing flammable materials (waxes, cleaning fluids, etc.).**

To add items after washer has started, press **Start** and wait until the door is unlatched. The washer may take up to 30 seconds to unlock the door after pressing **Start** depending on the machine conditions. Do not try to force open the door when it is locked. After the door unlocks, open gently. Add items, close the door and press **Start** to restart.

Maximum Loading Sizes*

WORKWEAR	LINENS	MIXED LOAD	DELICATES**	SPEED WASH (2-4 GARMENTS)
4 Jeans 5 Workwear Shirts 5 Workwear Pants	2 Bath Sheets 10 Bath Towels/ 12 Washcloths 7 Hand Towels/ 2 Terrycloth Bath Mats OR 2 Flat Queen-Sized Sheets 2 Fitted Queen-Sized Sheets 4 Pillowcases	4 Pillowcases 2 Hand Towels 2 Flat Sheets/ 2 Fitted Sheets 2 Bath Towels/ 4 Washcloths OR 6 Shirts (Men's or Women's) 4 Pair Pants (Khakis or Twills) 5 T-Shirts 7 Pairs of Boxers 4 Pairs of Shorts OR 6 T-Shirts 4 Pairs of Sweatpants 4 Sweatshirts 2 Hoodies 7 Pairs of Socks	7 Bras 7 Panties 3 Slips 2 Camisoles 4 Nightgowns	2 Casual Wear Work Shirts 1 Pair Casual Wear Work Pants OR 3 Soccer Uniforms

*Exceeding maximum recommended load sizes may affect cleaning performance and garment care.

**Using a nylon mesh bag for small items is recommended.

Cleaning the washer.



Care and Cleaning

Exterior: Immediately wipe off any spills. Wipe with damp cloth. Do not hit surface with sharp objects.

Moving and Storage: Ask the service technician to remove water from drain pump and hoses. Do not store the washer where it will be exposed to the weather. When moving the washer, the tub should be kept stationary by using the shipping bolts removed during installation. See Installation Instructions in this book. If these parts are not available, they can be ordered by visiting our Website at GEAppliances.com or by calling 800.GE.CARES. In Canada, call 800.561.3344.

Long Vacations: Be sure the water supply is shut off at the faucets. Drain all water from the hoses if the weather will be below freezing.

Cleaning the Interior of the Washer

To clean the interior of the washer, select the **Basket Clean** feature on the control panel. The cycle will use more water, in addition to bleach, to refresh your washer.

NOTE: Read the instructions below completely before starting the **Basket Clean** cycle.

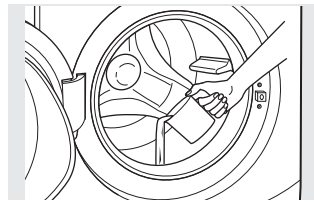
1. Remove any garments or objects from the washer and ensure the washer basket is empty.
2. Open the washer door and pour one cup or 250 ml of liquid bleach or other washing machine cleaner into the basket.
3. Close the door and select the **Basket Clean** cycle. Push the **Start** pad.
4. When the **Basket Clean** cycle is working, you will see **CLn** on the display. The cycle will complete in about 90 minutes. Do not interrupt the cycle.
5. After the cycle is complete, leave the door open slightly for better ventilation.

If for any reason the cycle needs to be interrupted, the door will not open immediately. Forcing open the door at this stage may cause water to flood. The door will open after the water is drained to a level where it would not flood the floor.

Basket Clean may be interrupted by pressing the **Start** pad in between cycles. A power outage in the house might also interrupt the cycle. When the power supply is back, the **Basket Clean** cycle resumes where it had stopped. When interrupted, be sure to run a complete **Basket Clean** cycle before using the washer. If the **Power** pad is pressed during **BasketClean**, the cycle will be lost.

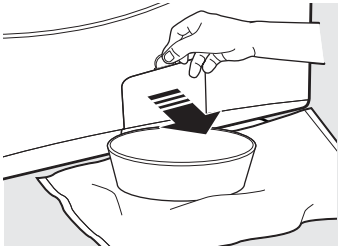
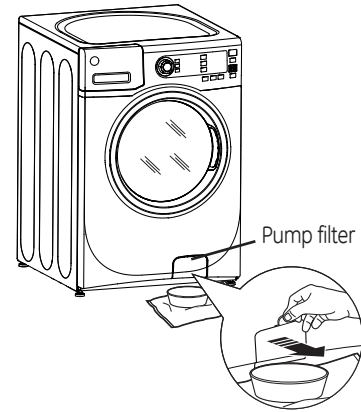
IMPORTANT:

- Run **Basket Clean** with 1 Cup (250 ml) of bleach once a month.
- After the completion of a **Basket Clean** cycle, the interior of your washer may have a bleach smell.
- It is recommended to run a light color load after the **Basket Clean** cycle.

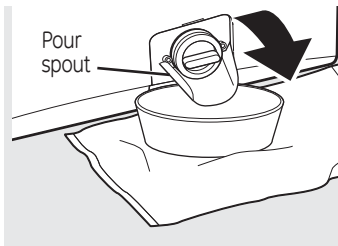


Cleaning the Pump Filter

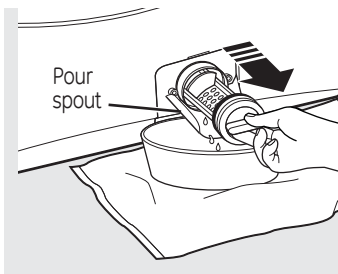
Due to the nature of the front-load washer, it is sometimes possible for small articles to pass to the pump. The washer has a filter to capture lost items so they are not dumped to the drain. To retrieve lost items, clean out the pump filter.



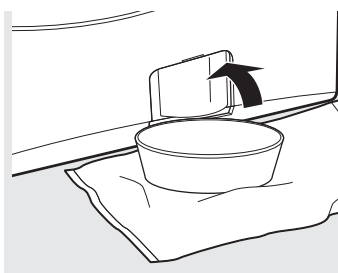
1. Using a coin or flat screwdriver in the notch on the door, open the access door.
2. Place a shallow pan or dish under the pump access door and towels on the floor in front of the washer to protect the floor. It is normal to catch about a cup of water when the filter is removed.



3. Pull down the pour spout.



4. Turn the pump filter counterclockwise and remove the filter. Open slowly to allow the water to drain.
5. Clean the debris from the filter.
6. Replace the filter and turn clockwise. Tighten securely.



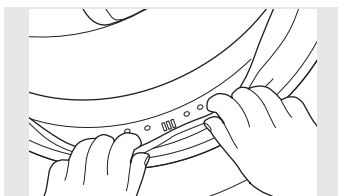
7. Flip up the pour spout.
8. Close the access door.



Cleaning the Door Gasket

Open the washer door. Using both hands, press down the door gasket. Remove any foreign objects if found trapped inside the gasket. Make sure there is nothing blocking the holes behind the gasket.

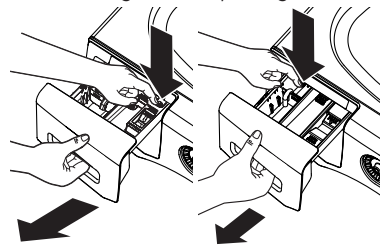
When you are finished cleaning the door gasket, remove your hands and the gasket will return to the operating position.



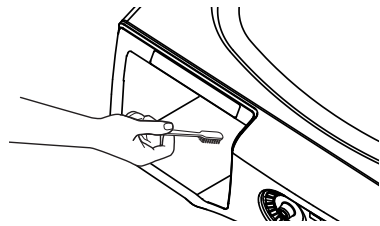
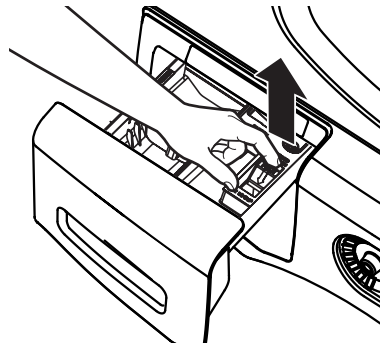
While holding down the door gasket, inspect the interior gasket by pulling it down with your fingers. Remove any foreign objects if found trapped inside this gasket. Make sure there is nothing blocking the holes behind the gasket.

Cleaning the washer.

Tab on back right or left depending on model



Lock tab is visible only after drawer has been pulled open



Dispenser Drawer Area: Detergent and fabric softener may build up in the dispenser drawer. Residue should be removed once or twice a month.

- Remove the drawer by first pulling it out until it stops. Then reach back into the left or right rear corner (depending on model) of the drawer cavity and press down firmly on the lock tab, pulling out the drawer.

- Remove the inserts from the bleach and fabric softener compartments and the detergent insert. Rinse the inserts and the drawer with hot water to remove traces of accumulated laundry products.

- To clean the drawer opening, use a small brush to clean the recess. Remove all residue from the upper and lower parts of the recess.
- Return inserts to the proper compartments. Replace the dispenser drawer.

Installation Instructions

Washer

If you have any questions, call 800.GE.CARES (800.432.2737) or visit our Website at: GEAppliances.com
In Canada, call 800.561.3344 or visit GEAppliances.ca

BEFORE YOU BEGIN

Read these instructions completely and carefully.

- **IMPORTANT** – Save these instructions for local inspector's use.
- **IMPORTANT** – Observe all governing codes and ordinances.
- **Note to Installer** – Be sure to leave these instructions with the Consumer.
- **Note to Consumer** – Keep these instructions for future reference.
- **Skill level** – Installation of this appliance requires basic mechanical and electrical skills.
- **Completion time** – 1-3 hours
- Proper installation is the responsibility of the installer.
- Product failure due to improper installation is not covered under the Warranty.

FOR YOUR SAFETY:

⚠ WARNING

- This appliance must be properly grounded and installed as described in these Installation Instructions.
- Do not install or store the appliance in an area where it will be exposed to water/weather. See the Location of Your Washer section.
- **NOTE: This appliance must be properly grounded, and electrical service to the washer must conform with local codes and ordinances and the latest edition of the National Electrical Code, ANSI/NFPA 70.**

TOOLS REQUIRED

- Adjustable wrench or 1/2" socket with ratchet
- Adjustable wrench or 9/16" open-end wrench
- Channel-lock adjustable pliers
- Carpenter's level

PARTS REQUIRED (Obtain locally)

- Water Hoses (2)



PARTS SUPPLIED

- Cable Tie
- Inlet Hose Screen Washers (2)
- Hose Guide

STACK BRACKET KIT

A stack bracket kit is available at additional cost. It can be ordered in the United States by visiting our Web site at GEAppliances.com or calling 800.GE.CARES. In Canada, call 800.661.1616 or visit your local GE Appliances dealer. Order kit # WE25X10018 or GEFLSTACK.

OPTIONAL PEDESTAL ACCESSORY

A pedestal is available at additional cost. It can be ordered in the United States by visiting our Web site at GEAppliances.com or calling 800.GE.CARES. In Canada, visit your local GE Appliances dealer. This product should be used with the pedestal # SBS137HXX and SBS227FXX. Follow the pedestal Installation Instructions.

Installation Instructions

LOCATION OF YOUR WASHER

Do Not Install the Washer:

1. In an area exposed to dripping water or outside weather conditions. The ambient temperature should never be below 60°F (15.6°C) for proper washer operation.
2. In an area where it will come in contact with curtains or drapes.
3. On carpet. The floor **MUST** be a hard surface with a maximum slope of 1/2" per foot (1.27 cm per 30 cm). To make sure the washer does not vibrate or move, you may have to reinforce the floor.

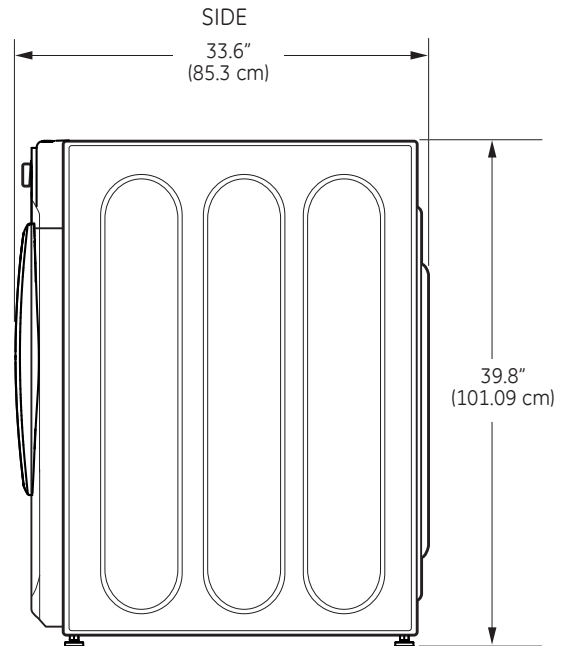
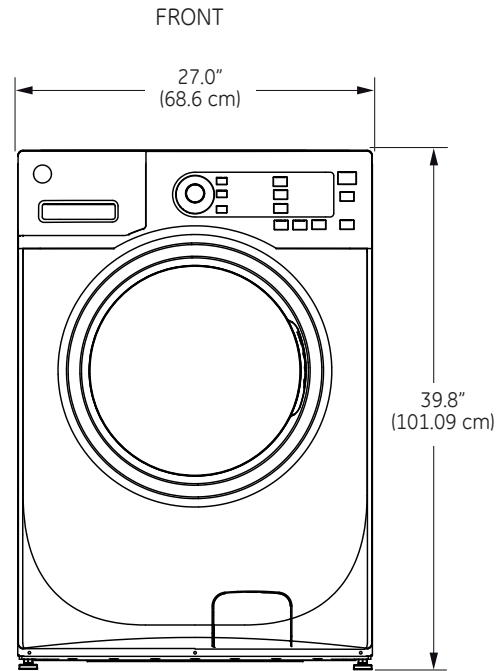
NOTE: If floor is in poor condition, use 3/4" impregnated plywood sheet solidly attached to the existing floor covering.

IMPORTANT:

Minimum Installation Clearances

- When installed in alcove: Sides, Rear, Top = 0" (0 cm)
- When installed in closet: Sides, Rear, Top = 0" (0 cm), Front = 1" (2.54 cm)
- Closet door ventilation openings required: 2 louvers each 60 square in. (387 cm), located 3" (7.6 cm) from top and bottom of door

ROUGH-IN DIMENSIONS



*NOTE: With pedestal, 52.6"
Stacked, 84"

Installation Instructions

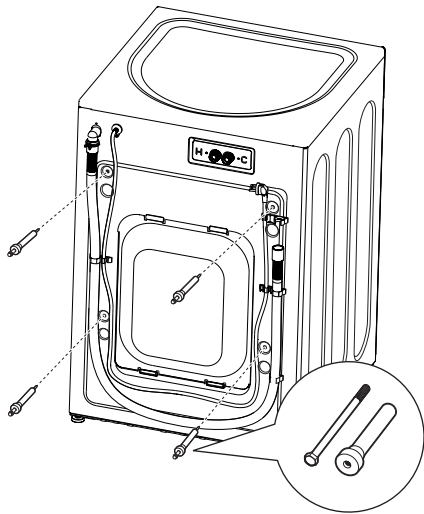
UNPACKING THE WASHER

⚠ WARNING: Recycle or destroy the carton and plastic bags after the washer is unpacked. Make materials inaccessible to children. Children might use them for play. Cartons covered with rugs, bedspreads or plastic sheets can become airtight chambers causing suffocation.

1. Cut and remove the top and bottom packaging straps.
2. While it is in the carton, carefully lay the washer on its side. **DO NOT** lay the washer on its front or back.
3. Turn down the bottom flaps—remove all base packaging, including the cardboard, styrofoam base and styrofoam tub support (inserted in center of base).

NOTE: If you are installing a pedestal, proceed to the installation instructions that come with the pedestal.

4. Carefully return the washer to an upright position and remove the carton.
5. Carefully move the washer to within 4 feet (122 cm) of the final location.
6. Remove the following from the back side of the washer:
 - 4 bolts
 - 4 plastic spacers (including rubber grommets)
 - 4 power cord retainers



NOTE: Failure to remove the shipping braces can cause the washer to become severely unbalanced.

Save all bolts for future use.

NOTE: If you must transport the washer at a later date, you must reinstall the shipping support hardware to prevent shipping damage. Keep the hardware in the plastic bag provided.

In case you misplace your shipping bolts, replacements are available at additional cost. They can be ordered in the United States by visiting our website at GEAppliances.com or calling 800.GE.CARES. In Canada, call 800.661.1616. Order kit #WH49X10039.

Installation Instructions

ELECTRICAL REQUIREMENTS

Read these instructions completely and carefully.

⚠ WARNING:

TO REDUCE THE RISK OF FIRE, ELECTRICAL SHOCK AND PERSONAL INJURY:

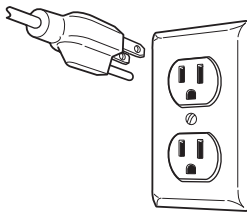
- DO NOT USE AN EXTENSION CORD OR AN ADAPTER PLUG WITH THIS APPLIANCE.

Washer must be electrically grounded in accordance with local codes and ordinances, or in the absence of local codes, in accordance with the NATIONAL ELECTRICAL CODE, ANSI/NFPA NO. 70.

CIRCUIT – Individual, properly polarized and grounded 15-amp branch circuit fused with 15-amp time-delay fuse or circuit breaker.

POWER SUPPLY – 2-wire, with ground, 120-volt, single-phase, 60-Hz, alternating current.

OUTLET RECEPTACLE – Properly grounded 3-prong receptacle to be located so the power supply cord is accessible when the washer is in an installed position.



GROUNDING REQUIREMENTS

⚠ WARNING:

Improper connection of the equipment grounding conductor can result in a risk of electrical shock. Check with a licensed electrician if you are in doubt as to whether the appliance is properly grounded.

1. The washer **MUST** be grounded. In the event of malfunction or breakdown, grounding will reduce the risk of electrical shock by providing a path of least resistance for electrical current.
2. Since your washer is equipped with a power supply cord having an equipment-grounding conductor and a grounding plug, the plug **MUST** be plugged into an appropriate, copper-wired receptacle that is properly installed and grounded in accordance with all local codes and ordinances or in the absence of local codes, with the National Electrical Codes, ANSI/NFPA 70 (latest edition). If in doubt, call a licensed electrician. **DO NOT** cut off or alter the grounding prong on the power supply cord. In situations where a two-slot receptacle is present, it is the owner's responsibility to have a licensed electrician replace it with a **properly grounded** three-prong grounding-type receptacle.

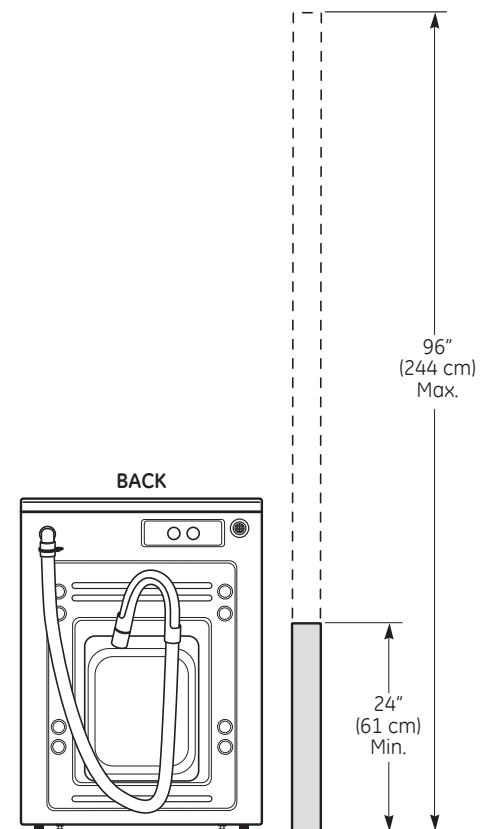
WATER SUPPLY REQUIREMENTS

Hot and cold water faucets **MUST** be installed within 42 inches (107 cm) of your washer's water inlet. The faucets **MUST** be 3/4" (1.9 cm) garden hose-type so inlet hoses can be connected. Water pressure **MUST** be between 10 and 120 pounds per square inch. Your water department can advise you of your water pressure. The hot water temperature should be set to deliver water at 120° to 140°F (48°–60°C).

DRAIN REQUIREMENTS

1. Drain capable of eliminating 17 gals (64.3 L) per minute.
2. A standpipe diameter of 1-1/4" (3.18 cm) minimum.
3. The standpipe height above the floor should be:

Minimum height: 24" (61 cm)
Maximum height: 96" (244 cm)



NOTE: The drain hose attached to the washer can reach a 58" (147 cm) high standpipe. For a higher standpipe, contact an authorized parts distributor.

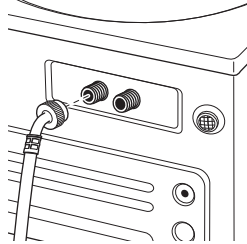
Installation Instructions

INSTALLING THE WASHER

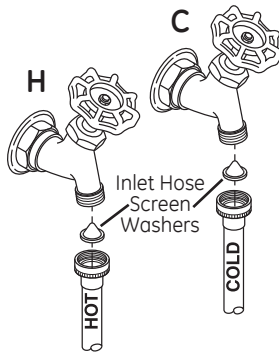
1. Run some water from the hot and cold faucets to flush the water lines and remove particles that might clog up the inlet hoses and water valve screens.

2. Obtain inlet hoses locally.

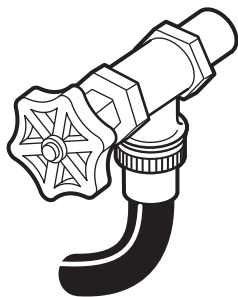
3. Ensure there is a rubber washer in the hoses. Reinstall the rubber washer into the hose fitting if it has fallen out during shipment. Carefully connect an inlet hose to the outside "H" outlet of the water valve. Tighten by hand, then tighten another 2/3 turn with pliers. Carefully connect the other inlet hose to the inside "C" outlet of the water valve. Tighten by hand; then tighten another 2/3 turn with pliers. **Do not crossthread or over-tighten these connections.**



4. Install the screen washers by inserting them into the free ends of the inlet hoses with protruded side facing the faucet.



5. Connect the inlet hose ends to the HOT and COLD water faucets tightly by hand, then tighten another 2/3 turn with pliers. Turn the water on and check for leaks.

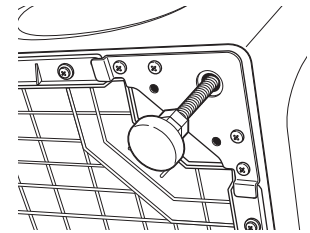


6. Carefully move the washer to its final location. Gently rock the washer into position ensuring inlet hoses do not become kinked. It is important not to damage the rubber leveling legs when moving your washer to its final location. Damaged legs can increase washer vibration. It may be helpful to spray window cleaner on the floor to help move your washer into its final position. **NOTE:** To reduce vibration, ensure that all four rubber leveling legs are firmly touching the floor. Push and pull on the back right and then back left of your washer.

NOTE: Do not use the dispenser drawer or door to lift the washer.

NOTE: If you are installing into a drain pan, you can use a 24-inch long 2x4 to lever the washer into place.

7. With the washer in its final position, place a level on top of the washer (if the washer is installed under a counter, the washer should not be able to rock). Adjust the front leveling legs up or down



to ensure the washer is resting solid. Turn the lock nuts on each leg up towards the base of the washer and snug with a wrench.

NOTE: Keep the leg extension at a minimum to prevent excessive vibration. The farther out the legs are extended, the more the washer will vibrate.

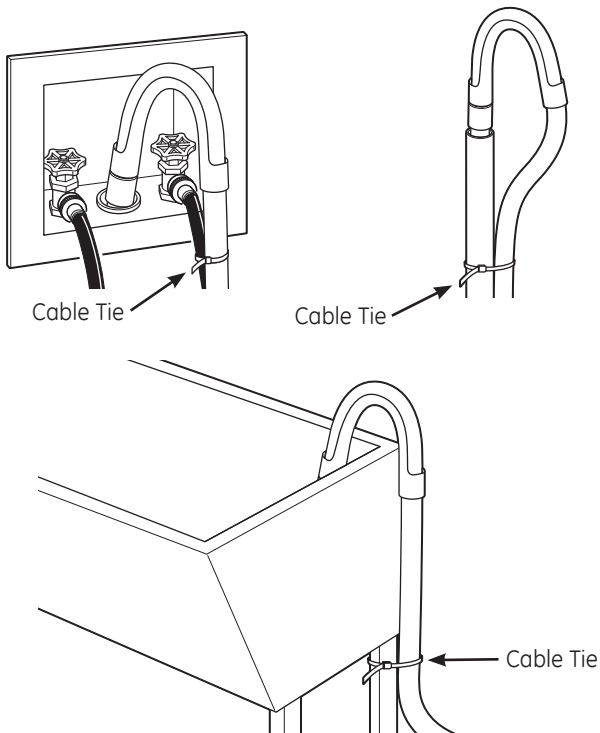
If the floor is not level or is damaged, you may have to extend the rear leveling legs.

Installation Instructions

INSTALLING THE WASHER (cont.)

8. Attach the U-shaped hose guide to the end of the drain hose. Place the hose in a laundry tub or standpipe and secure it with the cable tie provided in the enclosure package.

NOTE: Placing the drain hose too far down the drain pipe can cause a siphoning action. No more than 7 inches of hose should be in the drain pipe. There must be an air gap around the drain hose. A snug fit can also cause a siphoning action.



9. Plug the power cord into a grounded outlet.

NOTE: Check to be sure the power is off at the circuit breaker/fuse box before plugging the power cord into an outlet.

10. Turn on the power at the circuit breaker/fuse box.

11. Read the rest of this Owner's Manual. It contains valuable and helpful information that will save you time and money.

12. Before starting the washer, check to make sure:

- Main power is turned on.
- The washer is plugged in.
- The water faucets are turned on.
- The unit is level and all four leveling legs are firmly on the floor.
- The shipping support hardware is removed and saved.
- The drain hose is properly tied up.
- There are no leaks at the faucet, drain line or washer.

13. Run the washer through a complete cycle. Check for water leaks and proper operation.

14. If your washer does not operate, please review the *Before You Call For Service* section before calling for service.

15. Place these instructions in a location near the washer for future reference.

REPLACEMENT PARTS

If replacement parts are needed for your washer, they can be ordered in the United States by visiting our Web site at GEAppliances.com or by calling 800.GE.CARES. In Canada, call 800.661.1616.

Before you call for service...



Troubleshooting Tips
 Save time and money! Review the charts on the following pages first and you may not need to call for service.

Problem	Possible Cause	What To Do
Not draining Not spinning Not agitating	Load is out of balance	<ul style="list-style-type: none"> • Redistribute clothes and run drain & spin or rinse & spin. • Increase load size if washing small load containing heavy and light items.
	Pump clogged	<ul style="list-style-type: none"> • See page 13 on how to clean the Pump Filter.
	Drain hose is kinked or improperly connected	<ul style="list-style-type: none"> • Straighten drain hose and make sure washer is not sitting on it.
	Household drain may be clogged	<ul style="list-style-type: none"> • Check household plumbing. You may need to call a plumber.
	Drain hose siphoning; drain hose pushed too far down the drain	<ul style="list-style-type: none"> • Ensure there is an air gap between hose and drain.
Leaking water	Door gasket is damaged	<ul style="list-style-type: none"> • Check to see if gasket is seated and not torn. Objects left in pockets may cause damage to the washer (nails, screws, pens, pencils).
	Door gasket not damaged	<ul style="list-style-type: none"> • Water may drip from the door when the door is opened. This is a normal operation. • Carefully wipe off rubber door seal. Sometimes dirt or clothing is left in this seal and can cause a small leak.
	Check back left of washer for water	<ul style="list-style-type: none"> • If this area is wet, you have oversudsing condition. Use less detergent.
	Fill hoses or drain hose is improperly connected	<ul style="list-style-type: none"> • Make sure hose connections are tight at washer and faucets and make sure end of drain hose is correctly inserted in and secured to drain facility.
	Household drain may be clogged	<ul style="list-style-type: none"> • Check household plumbing. You may need to call a plumber.
	Dispenser clogged	<ul style="list-style-type: none"> • Powder soap may cause clogs inside the dispenser and cause water to leak out the front of the dispenser. Remove drawer and clean both drawer and inside of dispenser box. Please refer to Cleaning the Washer section.
	Incorrect use of detergent Dispenser box crack	<ul style="list-style-type: none"> • Use HE and correct amount of detergent. • If new installation, check for crack on inside of dispenser box.
Clothes too wet	Load is out of balance	<ul style="list-style-type: none"> • Redistribute clothes and run drain & spin or rinse & spin. • Increase load size if washing small load containing heavy and light items. • The machine will slow the spin speed down to 410 rpm if it has a hard time balancing the load. This speed is normal.
	Pump clogged	<ul style="list-style-type: none"> • See page 13 on how to clean the Pump Filter.
	Overloading	<ul style="list-style-type: none"> • The dry weight of the load should be less than 16 lb.
	Drain hose is kinked or improperly connected	<ul style="list-style-type: none"> • Straighten drain hose and make sure washer is not sitting on it.
	Household drain may be clogged	<ul style="list-style-type: none"> • Check household plumbing. You may need to call a plumber.
	Drain hose siphoning; drain hose pushed too far down the drain	<ul style="list-style-type: none"> • Ensure there is an air gap between hose and drain.

Before you call for service...

Problem	Possible Cause	What To Do
Incomplete cycle or timer not advancing	Automatic load redistribution	<ul style="list-style-type: none"> • Timer adds 3 minutes to cycle for each rebalance. 11 or 15 rebalances may be done. This is normal operation. Do nothing; the machine will finish the wash cycle.
	Pump clogged	<ul style="list-style-type: none"> • See page 13 on how to clean the Pump Filter.
	Drain hose is kinked or improperly connected	<ul style="list-style-type: none"> • Straighten drain hose and make sure washer is not sitting on it.
	Household drain may be clogged	<ul style="list-style-type: none"> • Check household plumbing. You may need to call a plumber.
Loud or unusual noise; vibration or shaking	Drain hose siphoning; drain hose pushed too far down the drain	<ul style="list-style-type: none"> • Ensure there is an air gap between hose and drain.
	Cabinet moving	<ul style="list-style-type: none"> • Washer is designed to move 1/4" to reduce forces transmitted to the floor. This movement is normal.
	All rubber leveling legs are not firmly touching the floor	<ul style="list-style-type: none"> • Push and pull on the back right and then back left of your washer to check if it is level. If the washer is uneven, adjust the rubber leveling legs so they are all firmly touching the floor and locked in place. Your installer should correct this problem.
	Unbalanced load	<ul style="list-style-type: none"> • Open door and manually redistribute load. To check machine, run rinse and spin with no load. If normal, unbalance was caused by load.
No power/washer not working or dead	Pump clogged	<ul style="list-style-type: none"> • See page 13 on how to clean the Pump Filter.
	Washer is unplugged	<ul style="list-style-type: none"> • Make sure cord is plugged securely into a working outlet.
	Water supply is turned off	<ul style="list-style-type: none"> • Turn both hot and cold faucets fully on.
	Circuit breaker/fuse is tripped/blown	<ul style="list-style-type: none"> • Check house circuit breakers/fuses. Replace fuses or reset breaker. Washer should have separate outlet.
Snags, holes, tears, rips or excessive wear	Automatic self system checks	<ul style="list-style-type: none"> • First time the washer is plugged in, automatic checks occur. It may take up to 20 seconds before you can use your washer. This is normal operation.
	Overloaded	<ul style="list-style-type: none"> • Do not exceed maximum recommended load sizes. See recommended maximum load sizes on page 11.
	Pens, pencils, nails, screws or other objects left in pockets	<ul style="list-style-type: none"> • Remove loose items from pockets.
Pins, snaps, hooks, sharp buttons, belt buckles, zippers and sharp objects left in pockets		<ul style="list-style-type: none"> • Fasten snaps, hooks, buttons and zippers.
Control time wrong or changes	This is normal	<ul style="list-style-type: none"> • During spin the washer may need to rebalance the load sometimes to reduce vibrations. When this happens, the estimated time is increased causing time left to increase or jump.
Not enough water	This is normal	<ul style="list-style-type: none"> • Horizontal washers do not require the tub to fill with water like top-load washers.
Washer pauses or has to be restarted, or washer door is locked and will not open	Pump clogged	<ul style="list-style-type: none"> • See page 13 on how to clean the Pump Filter.
Door unlocks or press Start and machine doesn't operate	This is normal	<ul style="list-style-type: none"> • Front-load washers start up differently than top-load washers, and it takes 30 seconds to check the system. The door will lock and unlock.
	Incorrect operation	<ul style="list-style-type: none"> • Simply open and close the door firmly; then press Start.

<i>Problem</i>	<i>Possible Cause</i>	<i>What To Do</i>
<i>Water does not enter washer or enters slowly</i>	<i>Automatic self system checks</i>	<ul style="list-style-type: none"> After Start is pressed, the washer does several system checks. Water will flow 60 seconds after Start is pressed.
	<i>Water supply is turned off</i>	<ul style="list-style-type: none"> Turn on both hot and cold faucets fully.
	<i>Water valve screens are stopped up</i>	<ul style="list-style-type: none"> Turn off the water source and remove the water connection hoses from the upper back of the washer. Use a brush or toothpick to clean the screens in the machine. Reconnect the hoses and turn the water back on.
	<i>Inlet hose screen washers are stopped up</i>	<ul style="list-style-type: none"> Turn off the water source and remove the inlet hoses from the wall faucets. Use a brush or toothpick to clean the screen washers in the end of the hoses. Reconnect the hoses and turn the water back on.
<i>Wrinkling</i>	<i>Improper sorting</i>	<ul style="list-style-type: none"> Avoid mixing heavy items (like work clothes) with light items (like blouses).
	<i>Overloading</i>	<ul style="list-style-type: none"> Load your washer so clothes have enough room to move freely.
	<i>Incorrect wash cycle</i>	<ul style="list-style-type: none"> Match cycle selection to the type of fabric you are washing (especially for easy care loads).
	<i>Repeated washing in water that is too hot</i>	<ul style="list-style-type: none"> Wash in warm or cold water.
<i>Grayed or yellowed clothes</i>	<i>Not enough detergent</i>	<ul style="list-style-type: none"> Use correct amount of detergent.
	<i>Not using HE (high-efficiency) detergent</i>	<ul style="list-style-type: none"> Use HE detergent.
	<i>Hard water</i>	<ul style="list-style-type: none"> Use hottest water safe for fabric. Use a water conditioner like Calgon brand or install a water softener.
	<i>Water is not hot enough</i>	<ul style="list-style-type: none"> Make sure water heater is delivering water at 120°–140°F (48°–60°C).
	<i>Detergent is not dissolving</i>	<ul style="list-style-type: none"> Try a liquid detergent.
	<i>Dye transfer</i>	<ul style="list-style-type: none"> Sort clothes by color. If fabric label states wash separately, unstable dyes may be indicated.
<i>Colored spots</i>	<i>Incorrect use of fabric softener</i>	<ul style="list-style-type: none"> Check fabric softener package for instructions and follow directions for using dispenser.
	<i>Dye transfer</i>	<ul style="list-style-type: none"> Sort whites or lightly colored items from dark colors. Promptly remove wash load from washer.
<i>Water temperature is incorrect</i>	<i>Water supply is improperly connected</i>	<ul style="list-style-type: none"> Make sure hoses are connected to correct faucets.
	<i>House water heater is not set properly</i>	<ul style="list-style-type: none"> Make sure house water heater is delivering water at 120°–140°F (48°–60°C).
<i>Slight variation in metallic color</i>	<i>This is normal</i>	<ul style="list-style-type: none"> Due to the metallic properties of paint used for this unique product, slight variations of color may occur due to viewing angles and lighting conditions.
<i>Bad odor inside your washer</i>	<i>Washer unused for a long time, not using recommended quality of HE detergent or used too much detergent</i>	<ul style="list-style-type: none"> Run a Basket Clean cycle. In the case of strong odor, you may need to run the Basket Clean cycle more than once. Use only the amount of detergent recommended on the detergent container. Use only HE (high-efficiency) detergent. Always remove wet items from the washer promptly after machine stops running. Leave the door slightly open for the water to air dry. Close supervision is necessary if this appliance is used by or near children. Do not allow children to play on, with or inside this or any other appliance.

Safety Instructions

Operating Instructions

Installation Instructions

Troubleshooting Tips

Consumer Support

Before you call for service...

<i>Problem</i>	<i>Possible Cause</i>	<i>What To Do</i>
<i>Detergent leak</i>	<i>Incorrect placement of detergent insert</i>	<ul style="list-style-type: none"> • Make sure detergent insert is properly located and fully seated. Never put detergent above max line.
<i>Improper dispensing of softener or bleach</i>	<i>Dispenser clogged</i>	<ul style="list-style-type: none"> • Monthly clean the dispenser drawer to remove buildup of chemicals.
	<i>Softener or bleach is filled above the max line</i>	<ul style="list-style-type: none"> • Make sure to have the correct amount of softener or bleach.
	<i>Softener or bleach cap issue</i>	<ul style="list-style-type: none"> • Make sure softener and bleach cap for dispenser are seated or they will not work.

GE Washer Warranty.



All warranty service provided by our Factory Service Centers, or an authorized Customer Care® technician. To schedule service, in the United States, visit us on-line at GEAppliances.com, or call 800.GE.CARES (800.432.2737). In Canada, call 800.561.3344. Please have serial number and model number available when calling for service.

Staple your receipt here.
Proof of the original purchase date is needed to obtain service under the warranty.

For The Period Of: We Will Replace:

One Year

From the date of the original purchase

Any part of the washer which fails due to a defect in materials or workmanship. During this **limited one-year warranty**, we will also provide, **free of charge**, all labor and related service costs to replace the defective part.

What Is Not Covered

- Service trips to your home to teach you how to use the product.
- Replacement of house fuses or resetting of circuit breakers.
- Improper installation, delivery or maintenance.
- Damage to the product caused by accident, fire, floods or acts of God.
- Failure of the product if it is abused, misused, or used for other than the intended purpose or used commercially.
- Incidental or consequential damage caused by possible defects with this appliance.
- Damage after delivery.
- Product not accessible to provide required service.

EXCLUSION OF IMPLIED WARRANTIES—Your sole and exclusive remedy is product repair as provided in this Limited Warranty. Any implied warranties, including the implied warranties of merchantability or fitness for a particular purpose, are limited to one year or the shortest period allowed by law.

In the United States:

This warranty is extended to the original purchaser and any succeeding owner for products purchased for home use within the USA. If the product is located in an area where service by a GE Authorized Servicer is not available, you may be responsible for a trip charge or you may be required to bring the product to an Authorized GE Service location for service. In Alaska, the warranty excludes the cost of shipping or service calls to your home.

Some states do not allow the exclusion or limitation of incidental or consequential damages. This warranty gives you specific legal rights, and you may also have other rights which vary from state to state. To know what your legal rights are, consult your local or state consumer affairs office or your state's Attorney General.

Warrantor: General Electric Company, Louisville, KY 40225

In Canada:

This warranty is extended to the original purchaser and any succeeding owner for products purchased in Canada for home use within Canada. If the product is located in an area where service by a GE Authorized Servicer is not available, you may be responsible for a trip charge or you may be required to bring the product to an Authorized GE Service location.

Some provinces do not allow the exclusion or limitation of incidental or consequential damages. This warranty gives you specific legal rights, and you may also have other rights which vary from province to province. To know what your legal rights are, consult your local or provincial consumer affairs office.

Warrantor: MC Commercial, Burlington, ON, L7R 5B6

Safety Instructions

Operating Instructions

Installation Instructions

Troubleshooting Tips

Consumer Support

Consumer Support.



GE Appliances Website

In the US: GEAppliances.com
In Canada: GEAppliances.ca

Have a question or need assistance with your appliance? Try the GE Appliances Website 24 hours a day, any day of the year! For greater convenience and faster service, you can now download Owner's Manuals, order parts or even schedule service on-line.



Schedule Service

In the US: GEAppliances.com
In Canada: GEAppliances.ca

Expert GE repair service is only one step away from your door. Get on-line and schedule your service at your convenience any day of the year! Or call 800.GE.CARES (800.432.2737) during normal business hours.

In Canada, call 800.561.3344



Real Life Design Studio

In the US: GEAppliances.com

GE supports the Universal Design concept—products, services and environments that can be used by people of all ages, sizes and capabilities. We recognize the need to design for a wide range of physical and mental abilities and impairments. For details of GE's Universal Design applications, including kitchen design ideas for people with disabilities, check out our Website today. For the hearing impaired, please call 800.TDD.GEAC (800.833.4322).

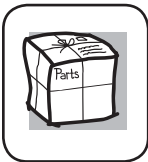
In Canada, please write to: Director, Consumer Relations, MC Commercial
1 Factory Lane, Suite 310
Moncton, N.B. E1C 9M3



Extended Warranties

In the US: GEAppliances.com
In Canada: GEAppliances.ca

Purchase a GE extended warranty and learn about special discounts that are available while your warranty is still in effect. You can purchase it on-line anytime, or call 800.626.2224 during normal business hours. GE Consumer Home Services will still be there after your warranty expires. In Canada, please consult your local listings for your extended warranty provider.



Parts and Accessories

In the US: GEAppliances.com

Individuals qualified to service their own appliances can have parts or accessories sent directly to their homes (VISA, MasterCard and Discover cards are accepted). Order on-line today, 24 hours every day or by phone at 800.626.2002 during normal business hours.

Instructions contained in this manual cover procedures to be performed by any user. Other servicing generally should be referred to qualified service personnel. Caution must be exercised, since improper servicing may cause unsafe operation.

In Canada, call 800.661.1616



Contact Us

In the US: GEAppliances.com
In Canada: GEAppliances.ca

If you are not satisfied with the service you receive from GE, contact us on our Website with all the details including your phone number, or write to: General Manager, Customer Relations

GE Appliances, Appliance Park
Louisville, KY 40225

In Canada, please write to: Director, Consumer Relations, MC Commercial
1 Factory Lane, Suite 310
Moncton, N.B. E1C 9M3



Register Your Appliance

In the US: GEAppliances.com
In Canada: GEAppliances.ca

Register your new appliance on-line—at your convenience! Timely product registration will allow for enhanced communication and prompt service under the terms of your warranty, should the need arise. You may also mail in the pre-printed registration card included in the packing material.



Laveuses

Mesures de sécurité 2, 3

Fonctionnement

Panneau de commandes 4-7

Caractéristiques 8-9

Chargement et utilisation

de la laveuse 10, 11

Nettoyage de la laveuse 12-14

Installation 15-20

Préparation à l'installation

de votre laveuse 15

Dimensions de la plomberie brute 16

Emplacement de votre laveuse 16

Déballage de votre laveuse 17

Exigences quant aux égouts 18

Exigences quant à l'électricité 18

Exigences quant à l'alimentation

en eau 18

Installation de la laveuse 19, 20

Pièces de rechange 20

Conseils de dépannage 21-24

Soutien au consommateur

Garantie 25

Numéros de téléphone

pour les réparations 26



ENERGY STAR

À titre de partenaire Energy Star®, GE a déterminé que ce produit respecte les directives Energy Star® pour l'efficacité énergétique.

Inscrivez ici les numéros de modèle et de série :

No de modèle # _____

No de série # _____


Vous pouvez les trouver sur une étiquette sur le côté de la laveuse.


**Guide de l'utilisateur et
Instruction d'installation**


- GFWN1100
- GFWN1200
- GFWH1200
- GMAN1200
- GFWH1300
- GFWN1300
- GFWH1400
- GFWH1405
- GFWS1500
- GFWS1505


IMPORTANTES MESURES DE SÉCURITÉ

LISEZ TOUTES LES INSTRUCTIONS AVANT D'UTILISER VOTRE LAVEUSE


 Ceci est un symbole d'alerte de sécurité. Ce symbole prévient d'un risque mortel ou de blessures encouru par vous et d'autres personnes. Tous les messages de sécurité s'inscriront à la suite du symbole d'alerte et du mot « DANGER », « AVERTISSEMENT » ou « MISE EN GARDE ». Ces mots sont associés aux définitions suivantes :

 **DANGER** Indique une situation dangereuse qui, si elle n'est pas évitée, causera des blessures sévères, voire la mort.

 **AVERTISSEMENT** Indique une situation dangereuse qui, si elle n'est pas évitée, peut causer des blessures sévères, voire la mort.

 **MISE EN GARDE** Indique une situation dangereuse qui, si elle n'est pas évitée, peut causer des blessures mineures ou modérément graves.

INSTRUCTIONS DE SÉCURITÉ IMPORTANTES

 **AVERTISSEMENT** Pour réduire le risque de décès, d'incendie, d'explosion, de choc électrique ou de blessure aux personnes utilisant cet appareil, observez des précautions élémentaires dont les suivantes :

- Lisez toutes les instructions avant d'utiliser l'appareil.
- NE séchez NI ne lavez les articles qui ont été précédemment nettoyés, lavés, trempés ou détachés à l'aide d'essence, de solvants de nettoyage à sec ou d'autres substances inflammables ou explosives, puisqu'ils peuvent émettre des vapeurs susceptibles de s'enflammer ou d'exploser.
- N'ajoutez PAS d'essence, de solvants pour nettoyage à sec ni d'autres substances inflammables ou explosives dans l'eau de lavage. Ces substances émettent des vapeurs susceptibles de s'enflammer ou d'exploser.
- EXPLOSIF. Si le système d'eau chaude n'a pas été utilisé sur une telle durée, avant d'utiliser la laveuse, ouvrez tous les robinets d'eau chaude pour faire couler l'eau de chaque robinet pendant plusieurs minutes. Cette mesure libérera tout gaz d'hydrogène accumulé. Étant donné que ce gaz est inflammable, NE fumez NI n'utilisez une flamme nue durant cette manoeuvre.
- NE laissez PAS les enfants jouer sur ou dans cet appareil ou tout autre. Une surveillance étroite est requise lorsque des enfants se trouvent à proximité de l'appareil en fonctionnement. Enlevez la porte ou le couvercle de la laveuse lorsque l'appareil est mis hors service ou au rebut. L'omission d'observer ces instructions peut causer le décès ou des blessures.
- NE vous penchez PAS dans l'appareil si la cuve ou l'agitateur est en mouvement afin de prévenir l'emmêlement.
- N'installez NI ne rangez cet appareil dans un endroit exposé aux intempéries.
- NE modifiez PAS les commandes, ne réparez NI remplacez une quelconque pièce et ne tentez aucune réparation de cet appareil, à moins que cela ne soit expressément recommandé dans les instructions d'entretien ou de réparation destinées à l'utilisateur et dont vous avez une compréhension et une compétence suffisantes pour les appliquer.
- Gardez la zone autour de l'appareil propre et sèche afin de réduire le risque de glissement.
- NE faites PAS fonctionner cet appareil s'il est endommagé, ne fonctionne pas correctement, est en partie démonté, ou encore si des pièces sont manquantes ou abîmées, y compris le cordon électrique ou sa fiche.
- Débranchez l'appareil ou fermez le disjoncteur avant une réparation. Le fait d'appuyer sur le bouton Power (Alimentation) NE coupe PAS l'alimentation électrique.
- Consultez la section « Exigences électriques » des instructions d'installation pour connaître la procédure de mise à la terre.

CONSERVEZ CES INSTRUCTIONS

INSTALLATION APPROPRIÉE



Cette laveuse doit être installée correctement et positionnée conformément aux instructions d'installation avant l'utilisation. Si vous n'avez pas reçu le guide d'installation, vous pouvez le recevoir en visitant electromenagersge.ca ou en appelant le 800.561.3344.

- Assurez-vous que le flexible d'eau chaude est connecté au robinet en « H » (grillage interne rouge) et que le flexible d'eau froide est connecté au robinet en « C » (grillage interne bleu).
- Installez ou rangez l'appareil là où il ne sera pas exposé à des températures inférieures au point de congélation ou aux intempéries, sinon il y a risque de dommage permanent et invalidation de la garantie.
- Mettez correctement la laveuse à la terre conformément à tous les codes et règlements en vigueur. Observez la procédure détaillée décrite dans les instructions d'installation.

AVERTISSEMENT - Risque d'électrocution

Brancher l'appareil dans une prise à 3 broches mise à la terre.

NE PAS enlever la broche de mise à la terre.

N'UTILISEZ pas de rallonge électrique.

N'UTILISEZ pas d'adaptateur de prise.

L'omission de prendre ces précautions peut provoquer la mort, l'explosion ou l'incendie.

- Cette laveuse n'est pas livrée avec les flexibles d'alimentation d'eau.

GE recommande vivement l'utilisation de pièces spécifiées par le fabricant. La liste ci-dessous énumère les flexibles que l'on peut se procurer auprès du fabricant. Ces flexibles sont fabriqués et essayés de façon à satisfaire aux spécifications de GE.

GE recommande vivement l'utilisation de flexibles d'alimentation d'eau neufs. Les flexibles se détériorent avec le temps et ils doivent être remplacés tous les 5 ans afin de réduire le risque de défaillance ou de dégât d'eau.

Pièces et accessoires

Appelez le 800.661.1616 ou contactez votre marchand de pièces GE local.

Numéro de pièce Accessoire

PM14X10002	Flexibles d'alimentation d'eau en caoutchouc - 1,2 m (4 pi)
Ou	
PM14X10005	Flexibles d'alimentation d'eau en métal tressé - 1,2 m (4 pi)
WX10X10011	Nettoyant pour laveuse Tide®*
WX7X1	Plateau de plancher pour laveuse

LORSQUE L'APPAREIL N'EST PAS UTILISÉ



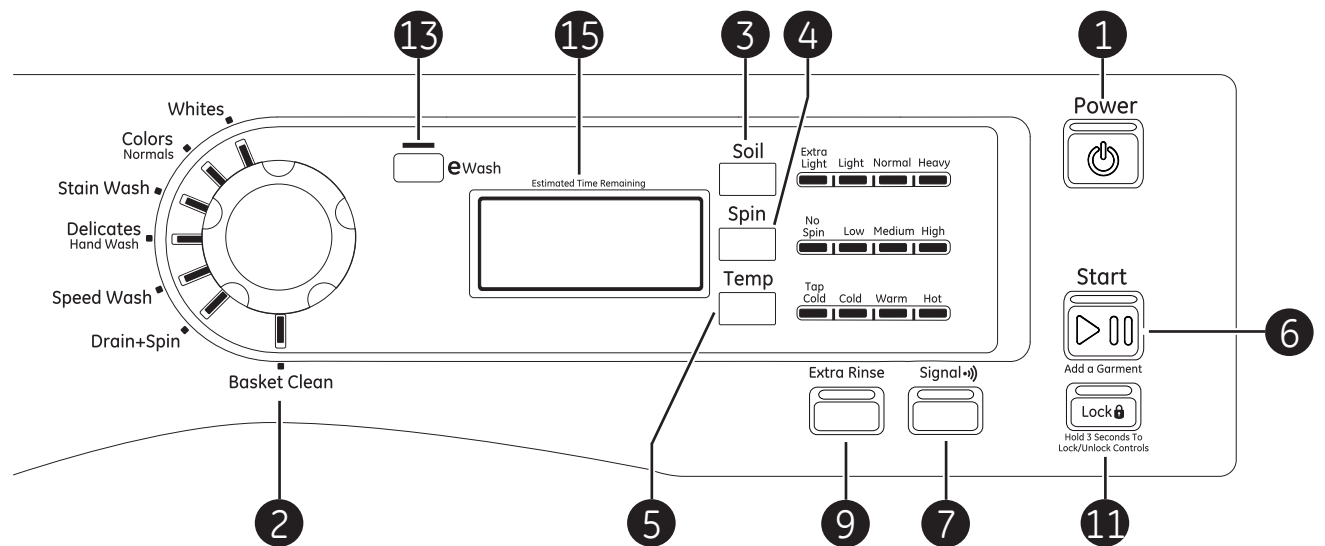
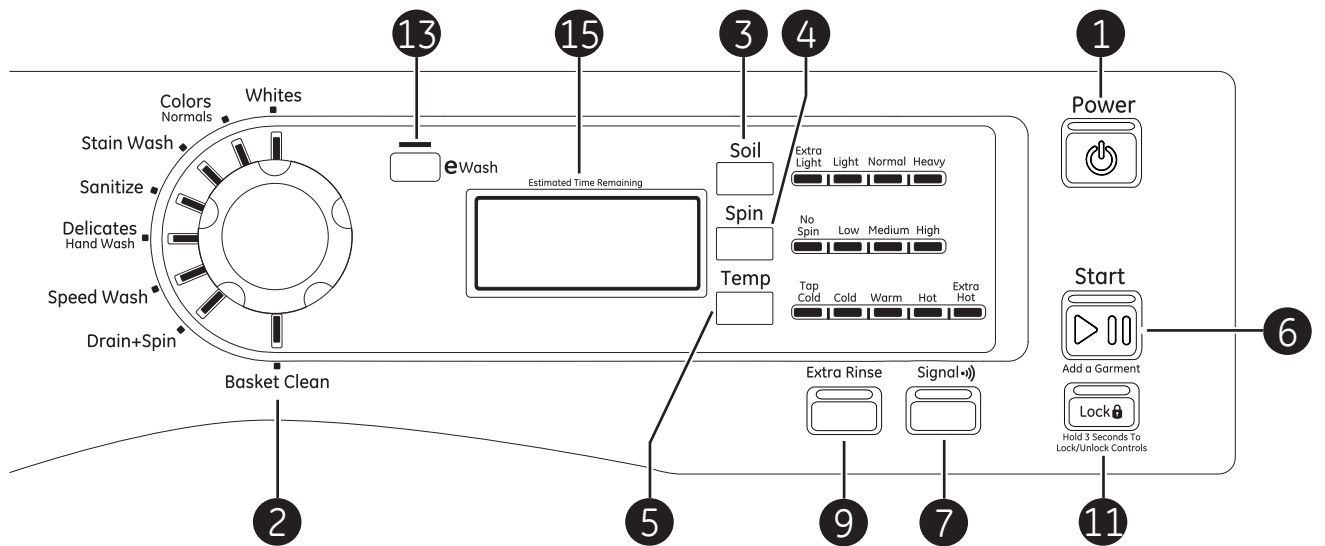
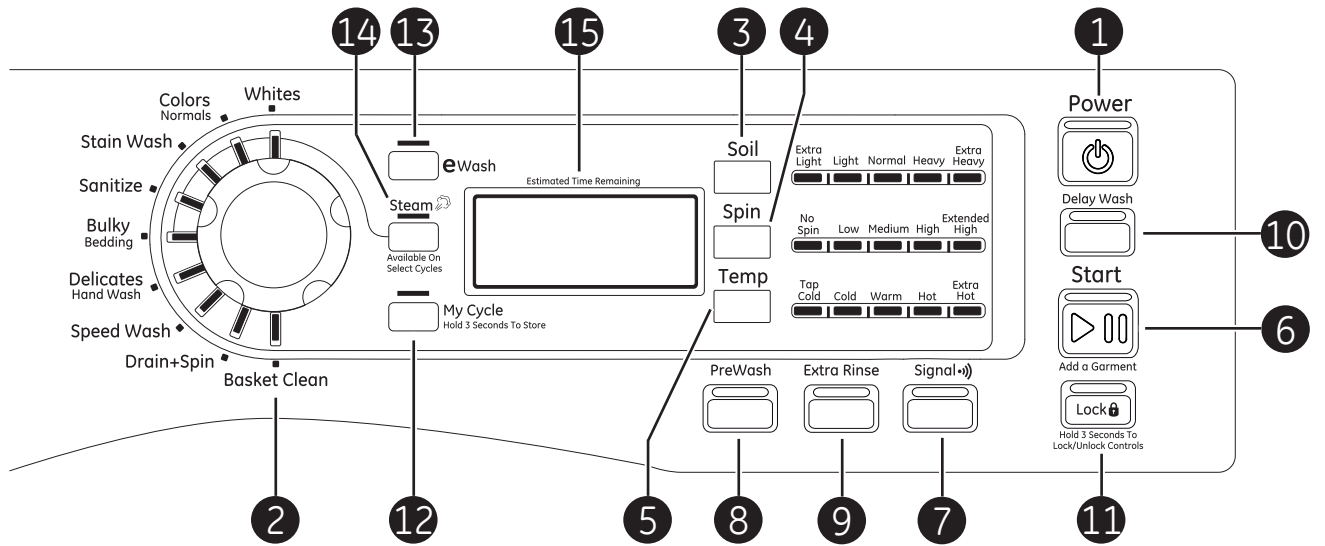
- Fermez les robinets pour minimiser les fuites dans l'éventualité d'un bris ou d'une rupture. Vérifiez l'état des flexibles de remplissage ; GE recommande de remplacer les flexibles tous les 5 ans.

CONSERVEZ CES INSTRUCTIONS

* Tide® est une marque déposée de Procter & Gamble

Le panneau de contrôle de votre laveuse.

Trouvez l'illustration qui correspond exactement à votre modèle et voyez les descriptions pour les détails.



1 Power (Alimentation)

Appuyez pour activer l'affichage. Si l'affichage est actif, appuyez pour mettre la laveuse en mode d'attente.

REMARQUE: Appuyer sur **Alimentation** ne débranche pas l'appareil de l'alimentation électrique.

2 Wash Cycles (Cycles de Lavage)

Les cycles sont optimisés pour des types particuliers de brassées de lavage. Le tableau ci-dessous vous aidera à trouver le réglage qui correspond à votre brassée de lavage. Les pales élévatrices GentleCleanMC font délicatement culbuter les vêtements dans la solution d'eau et de détergent pour les laver.

Whites (Blanc) Pour le linge blanc peu sales à très sales.

Colors/Normals (Couleurs/Normal) Pour les cotons grand teint, le linge de maison, les vêtements de jeu et de travail de très à légèrement souillés.

Stain Wash (Lavage Intense) Pour le linge grand teint très sales.

Sanitize (Hygiénique) Avec le cycle hygiénique, la laveuse augmente la température de l'eau pour désinfecter et nettoie 99,9 % des bactéries trouvées dans la lessive domestique.
(sur certains modèles) Pour les meilleurs résultats, choisissez le cycle pour vêtements très souillés.



Protocole NSF P172
Rendement de désinfection de laveuses
résidentielles et commerciales, de taille familiale

Bulky Bedding (Lingerie Volumineuse) Pour les grands manteaux, jetés de lit, couvre-matelas, sacs de couchage et linge volumineux. Les gros articles comme les couvertures, édredons, blousons et carpettes.
(sur certains modèles)

Delicates/Hand Wash (Déliçats/Lavage à la Main) Pour la lingerie et les tissus à soins spéciaux peu ou normalement souillés. Lavage à main et remue doucement le linge pendant le lavage et rinçage.

Speed Wash (Lavage Rapide) Pour articles légèrement sales qu'il faut laver en vitesse. La durée du cycle est d'environ 30 minutes, selon les options choisies.

Drain & Spin (Rinçage et Essorage) Pour drainer et essorer en tout temps.

Basket Clean (Nettoyage de Cuve) Pour éliminer les résidus et les odeurs du panier. Son utilisation est recommandée une fois par moi.
REMARQUE: Ne chargez jamais le linge lorsque vous utilisez l'option Nettoyage de Cuve. La lessive peut devenir endommagée ou contaminée. Consultez la section Entretien et nettoyage.

3 Soil Level (Niveau de saleté)

Le changement du Niveau de saleté augmente ou diminue le temps de lavage pour enlever différentes quantités de saleté. Pour changer le Niveau de saleté, appuyez sur la touche Niveau de saleté jusqu'au réglage désiré.

4 Spin Speed (Vitesse d'essorage)

Le changement de la Vitesse d'essorage modifie la vitesse d'essorage final des cycles. Observez toujours les instructions de lavage de l'étiquette du fabricant lorsque vous changez la vitesse d'essorage.

Pour changer la vitesse d'essorage, appuyez sur la touche Vitesse d'essorage jusqu'au réglage désiré. Les vitesses d'essorage plus rapides ne sont pas disponibles sur certains cycles, comme Délicats. Les vitesses d'essorage plus rapides enlèvent plus d'eau des vêtements et aideront à réduire le temps de séchage, mais elles augmentent la possibilité de froisser certains tissus.

5 Wash Temp (Température de lavage)

Ajustez pour choisir la bonne température d'eau pour le cycle de lavage. L'eau de pré-lavage et de rinçage est toujours froide pour réduire l'utilisation d'énergie et diminuer la fixation des taches et froissements.

Observez les instructions de lavage de l'étiquette du fabricant lorsque vous changez la température de lavage.

Pour changer la température de lavage, appuyez sur la touche Température de lavage jusqu'au réglage désiré.

REMARQUE: Pendant les 10 premières secondes du remplissage, l'eau est toujours froide. Cette fonction aide à conditionner le tissu et à empêcher la fixation des taches sur les vêtements.

6 Start/Add a Garment (Mise en marche/ajout d'un vêtement)

Appuyer pour démarrer un cycle de lavage. Si l'eau coule, appuyez une fois pour que la laveuse fasse une pause et déverrouille la porte. Appuyez de nouveau pour redémarrer le cycle de lavage.

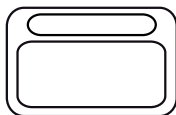
REMARQUE: Si la laveuse est en pause et que le cycle n'est pas redémarré en dedans de 2 heures, le cycle de lavage actuel sera annulé.

REMARQUE: La laveuse effectue des vérifications automatiques du système après avoir appuyé sur la touche Mise en marche. L'eau coulera en 45 secondes ou moins. Vous pouvez entendre la porte se verrouiller et se déverrouiller avant que l'eau coule; c'est normal.

Le panneau de commande de votre laveuse.

7

Signal (••))



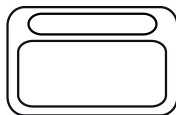
Cycle Signal (Signal de Cycle)

Utilisez la touche Signal pour changer le volume du signal de fin de cycle.

Appuyez sur la touche jusqu'au volume désiré.

8

PreWash



PreWash (Pré lavage) (sur certains modèles)

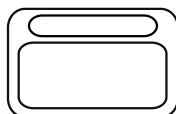
Le pré lavage est un lavage supplémentaire avant le lavage principal. Utilisez-le pour les vêtements très souillés ou pour les vêtements dont l'étiquette recommande un pré lavage avant le lavage. Assurez-vous que vous utilisez

un détergent à haute efficacité ou le bon additif de lavage dans le distributeur de pré lavage.

REMARQUE: En choisissant le pré lavage, il est recommandé d'utiliser un détergent en poudre dans le compartiment de lavage principal (détergent).

9

Extra Rinse

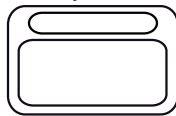


Extra Rinse (Rinçage Supplémentaire)

Utilisez un rinçage supplémentaire quand il faut rincer davantage pour enlever la saleté et le détergent supplémentaire des brassées de linge souillé.

10

Delay Wash



Delay Wash (Lavage en Différé)

(sur certains modèles)

Vous pouvez retarder la mise en marche d'un cycle de lavage pendant 10 à 18 heures, selon le modèle. Appuyez sur la touche Lavage retardé pour choisir le nombre d'heures de délai que vous désirez pour le démarrage du cycle, puis appuyez sur la touche Mise en marche. La machine compte le temps d'attente, puis se met en marche automatiquement à l'heure désirée.

REMARQUE : Si vous oubliez de bien fermer la porte, un signal de rappel se fera entendre pour vous rappeler de le faire.

REMARQUE : Si vous ouvrez la porte pendant le compte à rebours du délai, la machine se mettra à pause. Vous devez fermer la porte et appuyer à nouveau sur sur la touche Mise en marche pour recommencer le compte à rebours.

11



Hold 3 Seconds To
Lock/Unlock Controls

Lock (Verrouillage)

Vous pouvez verrouiller les commandes pour empêcher que d'autres choix soient faits. Ou vous pouvez verrouiller les commandes après avoir commencé un cycle.

Les enfants ne peuvent pas accidentellement mettre en marche la laveuse au moyen des touches lorsque cette option est choisie.

Pour verrouiller les commandes de la laveuse, appuyez sur la touche Verrouillage pendant 3 secondes. Pour déverrouiller les commandes de la laveuse, appuyez sur la touche Verrouillage pendant 3 secondes.

L'icône du verrouillage s'affichera sur l'écran si les commandes sont verrouillées.

REMARQUE: La touche Alimentation peut être utilisée même lorsque la machine est verrouillée.

12



My Cycle (Favori) (sur certains modèles)

Pour sauvegarder un cycle favori, choisissez le réglage désiré pour le cycle de lavage, le degré de souillure, la vitesse d'essorage et la température de l'eau et appuyez sur la touche **My Cycle (Favori)** pendant 3 secondes. Un signal sonore indiquera que le cycle a été sauvegardé.

Pour utiliser votre cycle personnalisé, appuyez sur la touche

My Cycle (Favori) avant de laver une brassée.

Pour changer le cycle sauvegardé, choisissez le réglage appuyez sur la touche **My Cycle (Favori)** pendant 3 secondes.

REMARQUE: Lorsque vous utilisez **My Cycle (Favori)**, les options de lavage ne peuvent pas être modifiées après que le cycle est commencé.

REMARQUE: Si vous changez les options de lavage avec **My Cycle (Favori)** avant de commencer le cycle, le témoin **My Cycle (Favori)** s'éteindra et vous reviendrez au cycle de base.

13



eWash (Lavage économiseur d'énergie)

Utilisez **eWASH** pour économiser l'énergie sur des cycles de lavage particuliers. **eWASH** ne peut pas être

utilisé avec **Rafraîchissement à la vapeur, Lavage intense ou Nettoyage de Cuve.**

14

Steam



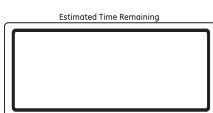
Steam (Vapeur) (sur certains modèles)

Vapeur ajoute de la vapeur dans la laveuse durant les cycles **Blanc, Couleurs/Normal, Lavage intense, Hygiénique** ou **Literie volumineuse.**

Pour l'utiliser :

1. Appuyez sur Alimentation et choisissez un cycle de lavage. L'option vapeur est disponible seulement sur les cycles de lavage Blanc, Couleurs/Normal, Lavage intense, Hygiénique ou Literie volumineuse.
2. Appuyez sur la touche Vapeur pour l'activer.
3. Appuyez sur la touche Mise en marche.

15



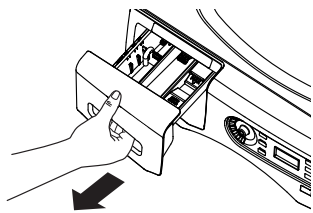
Display (Affichage)

L'affichage montre le temps approximatif restant jusqu'à la fin du cycle.

REMARQUE: Le temps du cycle est touché par le temps requis pour que la laveuse se remplisse. Ceci dépend de la pression de l'eau dans votre maison.

Caractéristiques de votre laveuse

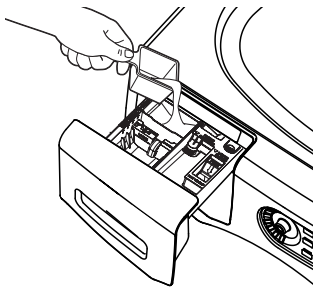
REMARQUE: Certaines caractéristiques peuvent ne pas être offertes sur tous les modèles.



Le Tiroir Distributeur

Ouvrez doucement le tiroir distributeur en le tirant jusqu'à ce qu'il s'arrête. Après avoir ajouté les produits de lavage, fermez doucement le tiroir distributeur. Une fermeture trop rapide du tiroir pourrait entraîner une distribution prématurée du javellisant, de l'assouplisseur ou du détergent.

Il est possible que vous voyiez de l'eau dans les compartiments de javellisant et de l'assouplisseur à la fin du cycle. C'est le résultat de l'action de chasse/siphonnement de l'eau et fait partie du fonctionnement normal de la laveuse.



Le Compartiment de Prélavage (sur certains modèles)

- Utilisez le compartiment de prélavage seulement si vous avez choisi le cycle de prélavage pour le linge très souillé. Ajoutez une mesure de détergent ou un additif de prélavage dans le compartiment à l'arrière gauche du tiroir distributeur.
- Le détergent ou l'additif de prélavage est chassé du distributeur durant le cycle de prélavage (s'il a été choisi).

REMARQUE: Le détergent liquide s'écoulera dans le panier de la laveuse à mesure que vous l'ajoutez.

- L'utilisation du détergent peut nécessiter un ajustement pour la température et la dureté de l'eau, la taille et le niveau de souillure de la brassée. Évitez d'utiliser trop de détergent dans votre laveuse, car cela peut entraîner un excédent de mousse et des résidus de détergente sur les vêtements.

Sur certains modèles :

Enlevez pour détergent en poudre

Normale HE
Détergent
Liquide
Réglage

2X HE Détergent
Liquide Réglage
(réglage le plus
courant)

3X HE
Détergent
Liquide
Réglage

L'apparence peut varier

Sur certains modèles :

Enlevez pour détergent en poudre

Normale HE
Détergent
Liquide
Réglage

2X HE Détergent
Liquide Réglage
(réglage le plus
courant)

3X HE
Détergent
Liquide
Réglage

L'apparence peut varier

Le Compartiment de Détergent

- **Un détergent à haute efficacité est nécessaire pour cette laveuse. Utilisez la quantité recommandée par le fabricant du détergent.**

La case de choix de détergent doit être placée dans le compartiment de détergent dans une position particulière selon le type de détergent que vous utilisez.

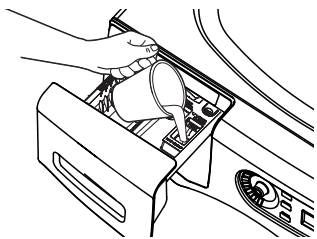
- **Détergent en Poudre** – Enlevez la case de choix de détergent.
- **Détergent Liquide** – Vous devez ajuster la case selon le type de détergent liquide que vous utilisez. Les icônes sur le côté du compartiment de détergent doivent être alignées sur le centre lorsque la case est en position.

REMARQUE: Les modèles n'ont pas tous les réglages de détergent liquide 2x et 3x. Certains modèles ont seulement les réglages pour le détergent HE. Vous devez réduire la quantité de détergent pour le détergent 2x et 3x selon les instructions sur la bouteille.

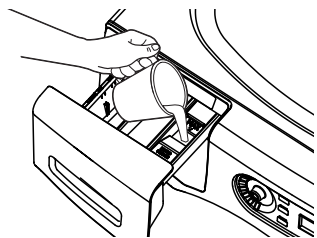
Déplacez la case en la tirant et remplacez-la en la glissant à l'arrière ou à l'avant entre les rails moulés du compartiment de détergent, si désiré, pour le détergent liquide. Enlevez la case pour le détergent en poudre.

- Ajoutez une mesure de détergent à l'avant gauche du compartiment de détergent du tiroir distributeur.
- Le détergent est chassé du distributeur au début du cycle de lavage. Vous pouvez utiliser du détergent en poudre ou liquide.
- L'utilisation du détergent peut nécessiter un ajustement pour la température et la dureté de l'eau, la taille et le niveau de souillure de la brassée. Évitez d'utiliser trop de détergent dans votre laveuse, car cela peut entraîner un excédent de mousse et des résidus de détergente sur les vêtements.
- L'utilisation de plus de détergent qu'il est recommandé peut entraîner des accumulations de résidus dans votre laveuse.

Sur certains modèles :



Sur certains modèles :



Le Compartiment de Javellisant Liquide

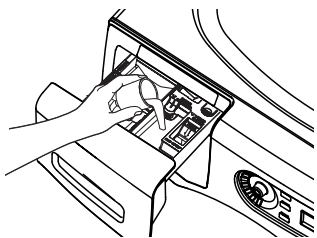
IMPORTANT : La position du compartiment de javellisant liquide peut varier selon le modèle. Assurez-vous d'identifier le bon compartiment pour le javellisant avant de l'utiliser.

Si désiré, mesurez la quantité recommandée d'assouplisseur liquide, ne dépassez pas 80 ml (1/3 de tasse) et versez-le dans le compartiment de droite marqué « LIQUID BLEACH » (javellisant liquide).

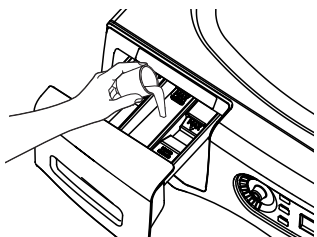
Ne dépassez pas la ligne de remplissage maximum. Un remplissage excessif peut causer une distribution prématurée du javellisant, ce qui peut endommager les vêtements.

REMARQUE : N'utilisez pas de javellisant en poudre dans le distributeur.

Sur certains modèles :



Sur certains modèles :



Le Compartiment d'assouplisseur

IMPORTANT : La position du compartiment d'assouplisseur peut varier selon le modèle. Assurez-vous d'identifier le bon compartiment pour l'assouplisseur avant de l'utiliser.

Si désiré, versez la quantité recommandée d'assouplisseur liquide dans le compartiment marqué « FABRIC SOFTENER » (assouplisseur). Utilisez uniquement de l'assouplisseur liquide dans le distributeur.

Diluez avec de l'eau jusqu'à la ligne de remplissage maximum.

Ne dépassez pas la ligne de remplissage maximum. Un remplissage excessif peut causer une distribution prématurée de l'assouplisseur, ce qui peut tacher les vêtements.

REMARQUE : Ne versez pas l'assouplisseur directement sur la brassée de lavage.

Chargement et utilisation de la laveuse.

Suivez toujours l'étiquette du fabricant de tissus pour laver.



Triage des Brassées

Triez la lessive en brassées qui peuvent être lavées ensemble.

Couleurs	Souillure	Tissus	Peluche
Blanc	Grosse	Déliçats	Producteurs de peluches
Pâle	Normale	Entretien réduit	Collecteurs de peluche
Foncé	Légère	Cotons solides	

- *Combinez les articles gros et petits dans une brassée. Chargez les gros articles en premier. Les gros articles ne devraient pas représenter plus que la moitié de la brassée.*
- *Le lavage d'articles seuls n'est pas recommandé. Ceci peut causer une brassée déséquilibrée. Ajoutez un ou deux articles semblables.*
- *Les oreillers et les douillettes ne devraient pas être mêlés avec d'autres articles. Ceci peut causer une brassée déséquilibrée.*

AVERTISSEMENT - Risque d'incendie

Ne placez pas, dans la laveuse, d'articles qui sont imbibés d'essence ou d'autres liquides inflammables. Aucune laveuse ne peut éliminer l'huile totalement.

NE séchez AUCUN article qui a déjà reçu un type d'huile quelconque (y compris les huiles de cuisson). L'omission de prendre ces précautions peut provoquer la mort, l'explosion ou l'incendie.

Préparation des Vêtements

- *Pour éviter les accrocs durant le lavage :*
 - Fermez les fermetures à glissière, les boutons-pression, les boutons et les crochets.
 - Raccordez les coutures, les bords, les déchirures.
 - Videz bien toutes les poches.
 - Enlevez les accessoires de vêtements non lavables comme les ornements et les garnitures non lavables.
- *Pour éviter les nœuds, attachez les cordons, les courroies et les ceintures de tous types.*
- *Brossez la saleté de surface et la peluche; traitez les taches.*
- *Lavez rapidement les vêtements mouillés ou tachés pour maximiser les résultats.*
- *Mélanger les vêtements à l'aide des tailles maximales de brassées recommandées à la page 11.*
- *Utilisez des sacs en filet de nylon pour laver les petits articles.*
- *Lavez plusieurs vêtements en même temps pour de meilleurs résultats.*



Chargement de la Laveuse

Vous pouvez remplir entièrement le panier de lavage avec des articles ajoutés les uns après les autres. **Ne lavez pas de tissus contenant des matières inflammables (cires, liquides nettoyants, etc.).**

Pour ajouter des articles après que la laveuse a démarré, appuyez sur **Start** (mise en marche) et attendez que la porte se déverrouille. La laveuse peut prendre jusqu'à 30 secondes pour déverrouiller la porte après que vous avez appuyé sur **Start** (mise en marche) selon les conditions de la machine. Ne forcez pas l'ouverture de la porte lorsqu'elle est verrouillée. Après que la porte est déverrouillée, ouvrez-la doucement. Ajoutez les articles, fermez la porte et appuyez sur **Start** (mise en marche) pour redémarrer la laveuse.

Tailles Maximales des Brassées*

VÊTEMENTS DE TRAVAIL	LINGE DE MAISON	BRASSÉES MIXTES	DÉLICATS**	LAVAGE RAPIDE (2 À 4 VÊTEMENTS)
4 Jeans 5 chemises de travail 5 pantalons de travail	2 draps de bain 10 serviettes de bain 12 débarbouillettes 7 serviettes à mains 2 tissus-éponges Tapis de baignoire OU 2 draps plats taille queen Instructions 2 draps contour taille queen 4 taies d'oreiller	4 taies d'oreiller 2 serviettes à mains 2 draps plats 2 draps contour 2 serviettes de bain 4 débarbouillettes OU 6 chemises (pour hommes ou femmes) 4 pantalons (kaki ou armure sergé) 5 tee-shirts 7 caleçons boxeur 4 shorts OU 6 tee-shirts 4 pantalons d'entraînement 4 chandails en molleton 2 chandails à capuchon 7 paires de bas	7 soutiens-gorge 7 culottes 3 jupons 2 camisoles 4 chemises de nuit	2 chemises de travail sport 1 pantalon de travail sport OU 3 uniformes de soccer

*Excéder la taille maximale de brassée peut avoir un impact sur le rendement du lavage et le soin des vêtements.

**Il est recommandé d'utiliser un sac en filet de nylon pour les petits articles.

Nettoyage de la Laveuse.



Entretien et Nettoyage

Extérieur : Essuyez immédiatement tout déversement. Essuyez avec un linge humide. Ne frappez pas la surface avec des objets coupants.

Déménagement et entreposage : Demandez au technicien d'entretien de vider l'eau de la pompe de vidange et des conduites. N'entreposez pas la laveuse où elle serait exposée aux intempéries. Lorsque vous déménagez la laveuse, le panier devrait rester stationnaire au moyen des boulons de transport enlevés durant l'installation. Voir les instructions d'installation dans ce guide. Si ces pièces ne sont pas disponibles, vous pouvez les commander en visitant notre site Web à electromenagersge.ca ou en appelant au **800.561.3344**.

Vacances prolongées : Assurez-vous que l'alimentation en eau soit fermée aux robinets. Videz toute l'eau des conduites si la température peut être plus froide que le point de congélation.

Nettoyage de l'intérieur de la Laveuse

Pour nettoyer l'intérieur de la laveuse, choisissez la fonction **Basket Clean** (Nettoyage de Cuve) sur le panneau de commande. Le cycle utilisera plus d'eau en plus du javellisant pour rafraîchir votre laveuse.

REMARQUE : Lisez les instructions ci-dessous en entier avant de démarrer le cycle de **Basket Clean** (Nettoyage de Cuve).

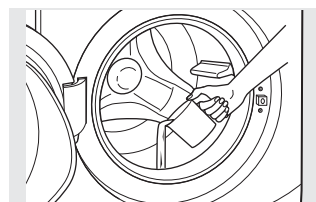
1. Enlevez tout vêtement ou objet de la laveuse et assurez-vous que le panier de la laveuse est vide.
2. Ouvrez la porte de la laveuse et versez une tasse ou 250 ml de javellisant liquide ou autre nettoyant de laveuse dans le panier.
3. Fermez la porte et choisissez le cycle de **Basket Clean** (Nettoyage de Cuve). Appuyez sur la touche **Start** (Mise en Marche).
4. Lorsque le cycle de **Basket Clean** (Nettoyage de Cuve) fonctionne, vous verrez **CLn** sur l'affichage. Le cycle se terminera dans 90 minutes. N'interrompez pas le cycle.
5. Lorsque le cycle est terminé, laissez la porte légèrement ouverte pour une meilleure aération.

Si pour une raison quelconque le cycle doit être interrompu, la porte ne s'ouvrira pas immédiatement. Forcer la porte à s'ouvrir à ce stade peut causer un débordement d'eau. La porte s'ouvrira lorsque l'eau aura été vidée à un niveau où elle ne débordera pas sur le plancher.

Vous pouvez interrompre le cycle de **Basket Clean** (Nettoyage de Cuve) en appuyant sur la touche **Start** (Mise en marche) entre les cycles. Une panne de courant peut également interrompre le cycle. Au retour du courant, le cycle de **Basket Clean** (Nettoyage de Cuve) reprend là où il s'était arrêté. Lorsque le cycle est interrompu, assurez-vous de reprendre un cycle complet de Nettoyage de Cuve avant d'utiliser la laveuse. Si vous appuyez sur la touche **Start** (Alimentation) durant le **Basket Clean** (Nettoyage de Cuve), le cycle sera perdu.

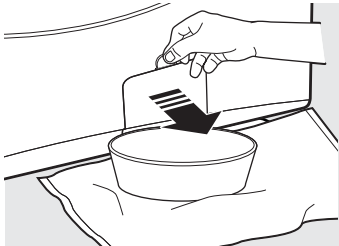
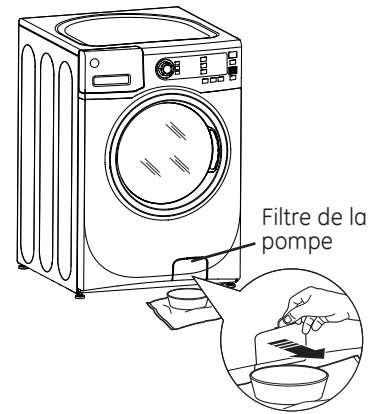
IMPORTANT :

- Effectuez le **Basket Clean** (Nettoyage de Cuve) avec 250 ml (1 tasse) de javellisant une fois par mois.
- Lorsque le cycle **Basket Clean** (Nettoyage de Cuve) est terminé, l'intérieur de votre laveuse peut avoir une odeur de javellisant.
- Il est recommandé de laver une brassée de couleur pâle après le cycle de **Basket Clean** (Nettoyage de Cuve).



Nettoyage du Filtre de la Pompe

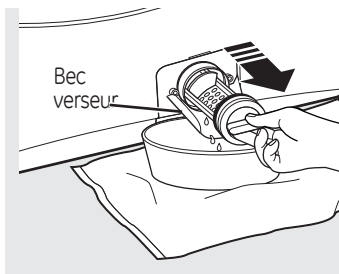
À cause de la nature de la laveuse à chargement frontal, il est parfois possible que de petits articles passent à la pompe. La laveuse possède un filtre pour capturer les articles perdus afin qu'ils soient versés dans l'égout. Pour récupérer ces articles perdus, nettoyez le filtre de la pompe.



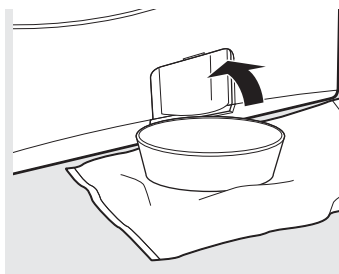
1. À l'aide d'une pièce de monnaie ou d'un tournevis plat, dans l'encoche de la porte, ouvrez la porte d'accès.
2. Placez une casserole peu profonde ou une assiette sous la porte d'accès de la pompe et des serviettes sur le plancher devant l'avant de la laveuse pour protéger le plancher. Il est normal de capturer environ 250 ml (une tasse) d'eau lorsqu'on enlève le filtre.



3. Tirez le bec verseur vers le bas.



4. Tournez le filtre de la pompe dans le sens inverse des aiguilles d'une montre et enlevez le filtre. Ouvrez-le lentement pour permettre à l'eau de s'écouler.
5. Enlevez les débris du filtre.
6. Remettez le filtre et tournez-le dans le sens des aiguilles d'une montre. Serrez-le solidement.



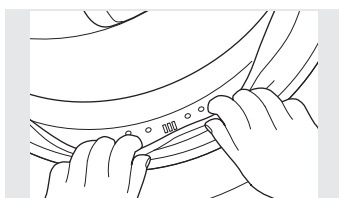
7. Relevez le bec verseur.
8. Fermez la porte d'accès.

Nettoyage du Joint d'étanchéité de la Porte

Ouvrez la porte de la laveuse. À l'aide de vos deux mains, appuyez sur le joint de la porte. Enlevez tout corps étranger pris à l'intérieur du joint. Assurez-vous qu'il n'y a rien qui bloque les trous derrière le joint.

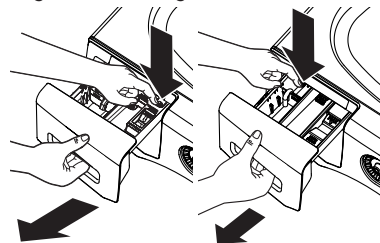
En maintenant vers le bas le joint de la porte, inspectez l'intérieur du joint en le tirant vers le bas avec les doigts. Enlevez tout corps étranger pris à l'intérieur du joint. Assurez-vous qu'il n'y a rien qui bloque les trous derrière le joint.

Lorsque vous avez fini le nettoyage du joint de la porte, enlevez vos mains et le joint reviendra en position de fonctionnement.



Nettoyage de la Laveuse.

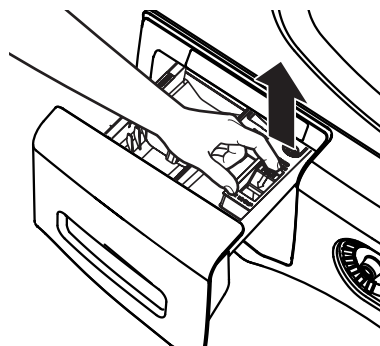
Onglet à droite ou à gauche selon le modèle



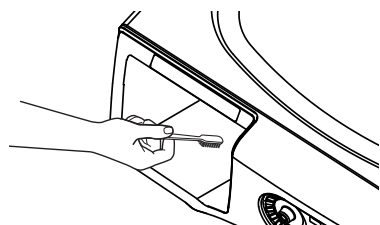
Zone du tiroir distributeur : Le détergent et l'assouplisseur peuvent s'accumuler dans le tiroir distributeur. Vous devez enlever les résidus une ou deux fois par mois.

- Enlevez le tiroir en le tirant jusqu'à ce qu'il s'arrête. Ensuite, passez la main dans le coin gauche ou droit (selon le modèle) de la cavité du tiroir et appuyez fermement sur l'onglet de blocage en tirant le tiroir.

L'onglet de blocage est visible uniquement après que le tiroir est ouvert



- Enlevez les cases des compartiments de javellisant et d'assouplisseur et la case de détergent. Rincez les cases et le tiroir à l'eau chaude afin d'enlever toute trace de produits de lessive.



- Pour nettoyer l'ouverture du tiroir, servez-vous d'une petite brosse pour nettoyer les recoins. Enlevez tout résidu de la partie supérieure et inférieure du recoin.
- Remettez les cases dans leur compartiment respectif. Remettez le tiroir distributeur.

Instructions d'installation

Laveuse

Si vous avez des questions, appelez le 800.561.3344 ou visitez notre site Web à electromenagersge.ca

AVANT DE COMMENCER

Lisez ces instructions entièrement et attentivement.

- **IMPORTANT** – Conservez ces instructions pour l'inspecteur municipal.
- **IMPORTANT** – Observez tous les codes et toutes les ordonnances en vigueur.
- **Note à l'installateur** – Assurez-vous de laisser ces instructions au consommateur.
- **Note au Consommateur** – Conservez ces instructions pour référence future.
- **Niveau de compétence** – L'installation de cet électroménager requiert des compétences techniques et électriques de base.
- **Durée de l'installation** – 1 à 3 heures
- L'installateur est responsable de l'installation correcte.
- La défaillance de ce produit à cause d'une installation incorrecte n'est pas couverte par la Garantie.

POUR VOTRE SÉCURITÉ :

⚠ AVERTISSEMENT

- Cet appareil doit être correctement mis à la terre et installé comme le décrivent ces instructions d'installation
- Ne pas installer ou entreposer cet appareil dans un endroit où il sera exposé à l'eau ou aux intempéries. Voir la section Emplacement de votre laveuse.
- **REMARQUE : Cet appareil doit être correctement mis à la terre et son alimentation électrique doit être conforme aux codes et ordonnances municipaux et à la dernière édition du Code national de l'électricité ANSI/NFPA 70**

OUTILS REQUIS

- Clé ajustable ou douille de 9/16 po à cliquet
- Clé ajustable ou clé ouverte de 9/16 po
- Pince multiprise ordinaire
- Niveau à bulle

PIÈCES REQUISES (À obtenir localement)

- Flexibles d'eau (2)



PIÈCES FOURNIES

- Attache de Câble
- Crépines (2) pour Boyau d'admission
- Guide de Boyau

TROUSSE DE SUPPORTS DE SUPERPOSITION

Une trousse de supports de superposition est offerte à un prix additionnel. Il peut être commandé au Canada en visitant notre site Web à ElectromenagersGE.ca ou en appelant 800.661.1616. Commandez la trousse no WE25X10018 or GEFLSTACK.

PIEDESTAL EN OPTION

Un piédestal est offert moyennant des frais supplémentaires. Veuillez contacter votre distributeur local de produits GE. Ce produit ne doit être utilisé qu'avec le piédestal no SBS137HXX et SBS1227FXX. Observez les instructions de montage du piédestal.

Instructions d'Installation

EMPLACEMENT DE VOTRE LAVEUSE

N'installez pas la laveuse :

1. Dans un endroit exposé à l'égouttement d'eau ou aux intempéries à l'extérieur. La température ambiante ne doit jamais inférieure à 15,6 °C (60 °F) pour le bon fonctionnement de la laveuse.
2. Dans un endroit où elle sera en contact avec des rideaux ou des tentures.
3. Sur du tapis. Le plancher **DOIT** être une surface dure avec une pente maximum de 1,27 cm/30 cm (0.5 po/pi). Pour être sûr que la laveuse ne vibre pas ni ne bouge, vous pourriez avoir à renforcer le plancher.

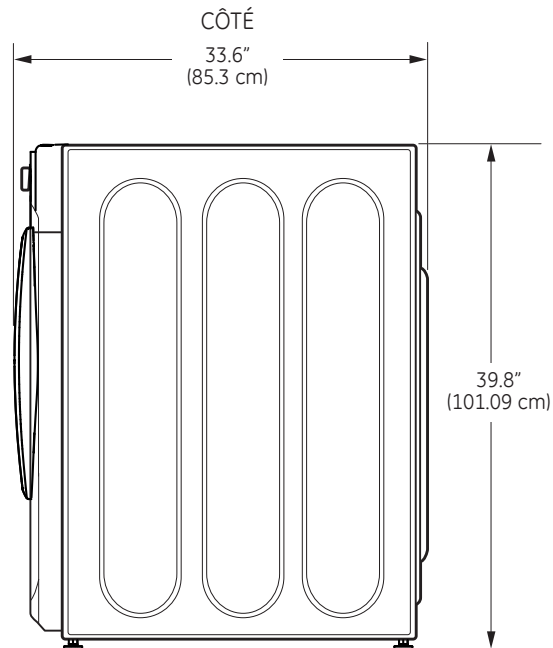
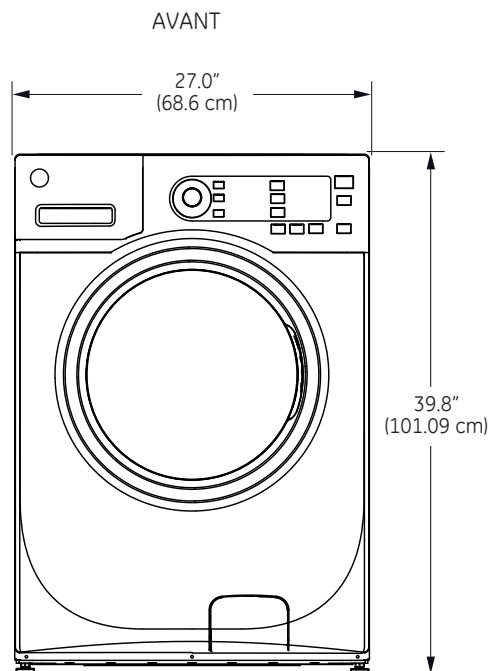
REMARQUE : Si le plancher est en mauvais état, utilisez un contreplaqué imprégné solidement fixé au couvre-plancher existant.

IMPORTANT:

Dégagements minimums d'installation

- Lorsqu'elle est installée dans une alcôve : côtés, arrière, dessus = 0 cm (0 po)
- Lorsqu'elle est installée dans un placard : côtés, arrière dessus = 0 cm (0 po), avant = 2,54 cm (1 po)
- Des ouvertures d'aération de la porte du placard sont requises : 2 persiennes chacune de 387 cm² (60 po²) située à 7,6 cm (3 po) du dessus au pied de la porte

DIMENSIONS BRUTES



*REMARQUE : Avec piédestal, 133,6 cm (52,6 po)
Superposée 213,4 cm (84 po)

Instructions d'Installation

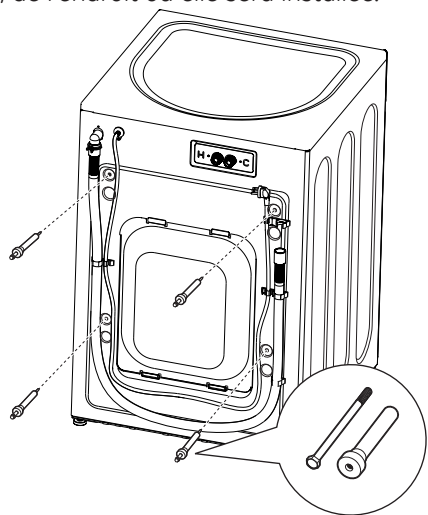
DÉBALLAGE DE LA LAVEUSE

⚠ AVERTISSEMENT: Recyclez ou détruisez la boîte et les sacs de plastique après avoir déballé la laveuse. Gardez ces matériaux hors de la portée des enfants. Les enfants pourraient les utiliser pour jouer. Les boîtes couvertes de tapis, de couvre-lits ou de pellicules de plastique peuvent devenir des pièges hermétiques et causer l'asphyxie.

1. Coupez et enlevez les courroies d'expédition du haut et du bas.
2. Pendant qu'elle est dans la boîte, couchez doucement la laveuse sur le côté. **NE COUCHEZ PAS** la laveuse sur l'avant ou l'arrière.
3. Dépliez les rabats du bas — enlevez tout l'emballage de la base, y compris le carton, la base en mousse de polystyrène et les blocs de soutien en polystyrène de la cuve (insérés au centre de la base)

REMARQUE : Si vous installez un piédestal, suivez les instructions d'installation qui accompagnent le piédestal

4. Ranenez doucement la laveuse en position debout et enlevez le carton.
5. Déplacez doucement la laveuse en dedans de 1,22 m (4 pi) de l'endroit où elle sera installée.



6. Enlevez ce qui suit de l'arrière de la laveuse :
 - 4 boulons
 - 4 cales d'espacements en plastique (y compris les œillets en caoutchouc)
 - 4 attaches de câble d'alimentation

REMARQUE : Si vous oubliez d'enlever les attaches de transport, cela peut rendre la laveuse gravement déséquilibrée. Gardez les boulons pour utilisation future.

DÉBALLAGE DE LA LAVEUSE (suite)

REMARQUE : Si vous souhaitez transporter la laveuse à une date ultérieure, vous devrez réinstaller la quincaillerie des supports de transport afin de prévenir les dommages. Gardez la quincaillerie dans le sac de plastique fourni.

Si vous égarez vos boulons de transport, vous pouvez en acheter d'autres à un coût additionnel. Vous pouvez les commander au Canada en appelant le 800.661.1616. Commandez la trousse no WH49X10039.

Instructions d'Installation

EXIGENCES QUANT À L'ÉLECTRICITÉ

Lisez ces instructions entièrement et attentivement.

⚠ AVERTISSEMENT :

AFIN DE RÉDUIRE LE RISQUE D'INCENDIE, DE DÉCHARGE ÉLECTRIQUE ET LES BLESSURES CORPORELLES :

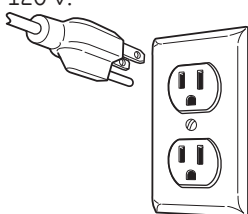
- N'UTILISEZ PAS UNE RALLONGE DU CÂBLE D'ALIMENTATION OU UNE FICHE D'ADAPTATION AVEC CET ÉLECTROMÉNAGER.

La laveuse doit être mise à la terre conformément aux codes et ordonnances municipaux, ou en leur absence, conformément au CODE NATIONAL DE L'ÉLECTRICITÉ ANSI/NFPA NO 70.

CIRCUIT – Circuit de dérivation individuel, de 15 A correctement polarisé et mis à la terre avec dispositif de surcharge ou disjoncteur de 15 A.

ALIMENTATION ÉLECTRIQUE – 2 fils avec mise à la terre, courant alternatif 60 Hz monophasé 120 V.

PRISE DE DISTRIBUTION – Prise correctement mise à la terre à 3 broches à situer de façon à ce que le cordon d'alimentation soit accessible lorsque la laveuse est installée.



EXIGENCES QUANT À LA MISE À LA TERRE

⚠ AVERTISSEMENT :

Une connexion incorrecte du

conducteur de mise à la terre de l'appareil peut entraîner un risque de décharge électrique. Vérifiez auprès d'un électricien accrédité si vous avez des doutes que l'électroménager est correctement mis à la terre.

1. La laveuse **DOIT** être mise à la terre, en cas de mauvais fonctionnement ou de panne, la mise à la terre réduira le risque de décharge électrique en fournissant un trajet de moindre résistance pour le courant électrique.
2. Comme votre laveuse est équipée d'un cordon d'alimentation doté d'un conducteur de mise à la terre de la machine et une fiche de mise à la terre, la fiche **DOIT** être branchée dans une prise à fils de cuivre appropriée qui est installée et mise à la terre correctement conformément à tous les codes et ordonnances municipaux, ou en leur absence, au Code national de l'électricité, ANSI/NFPA.70.(dernière édition). Si vous avez des doutes, appelez un électricien certifié. **NE PAS** couper ou modifier la broche de mise à la terre du cordon d'alimentation. Dans les situations où il s'agit d'une prise à deux broches, il incombe au propriétaire de faire venir un électricien certifié pour la remplacer par une prise à trois broches **correctement mise à la terre.**

EXIGENCES QUANT À L'ALIMENTATION EN EAU

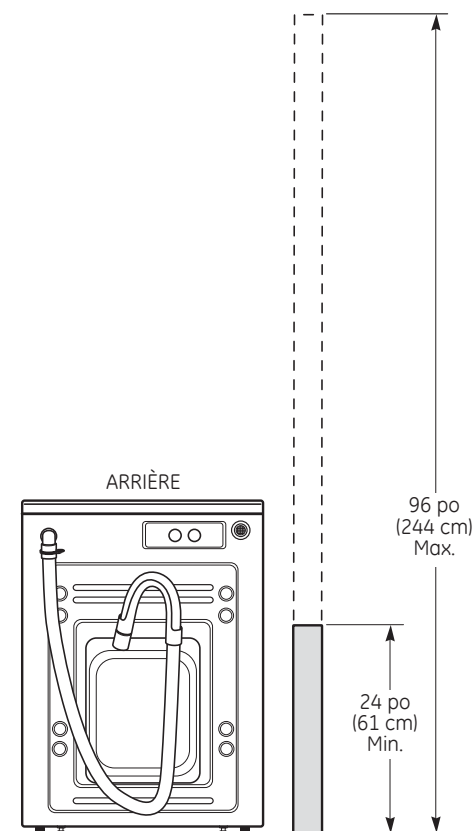
Des robinets d'eau chaude et d'eau froide **DOIVENT** être installés en dedans de 107 cm (42 po) de l'entrée d'eau de votre laveuse. Les robinets **DOIVENT** être du type boyau d'arrosage pour connecter les tuyaux d'entrée d'eau. La pression de l'eau **DOIT** être entre 10 et 120 lb/po2. Votre service d'eau peut vous conseiller sur votre pression d'eau. La température de l'eau chaude devrait être réglée entre 48 et 60 °C (120 à 140 °F).

EXIGENCES QUANT AUX ÉGOUTS

1. L'égout doit pouvoir éliminer 64,3 l (17 gal) par minute.
2. Une conduite verticale ayant un diamètre de 3,18 cm (1,25 po).
3. La hauteur de la conduite verticale devrait avoir au-dessus du plancher :

Une hauteur minimale de 61 cm (24 po)

Une hauteur maximale de 244 cm (96 po)



REMARQUE : La conduite de vidange attachée à la laveuse peut atteindre une conduite verticale de 147 cm (58 po). Pour une conduite plus haute contactez un distributeur de pièces certifié.

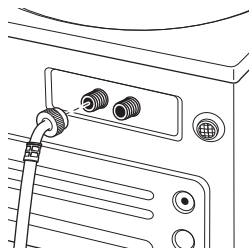
Instructions d'Installation

INSTALLATION DE LA LAVEUSE

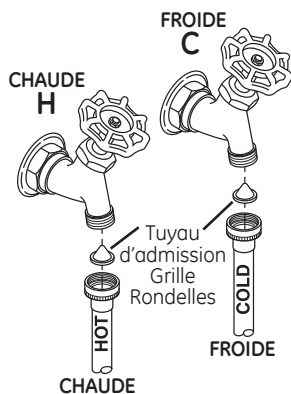
1. Faites couler de l'eau des robinets d'eau chaude et d'eau froide pour vider les tuyaux d'eau et enlever les particules qui peuvent boucher les tuyaux d'admission et les crépines des robinets.

2. Procurez-vous les tuyaux d'admission localement.

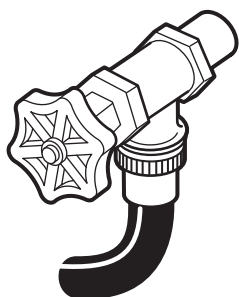
3. Assurez-vous qu'il y a une rondelle de caoutchouc dans les tuyaux d'eau. Réinstallez les rondelles de caoutchouc dans le raccord du tuyau s'il est tombé lors du transport. Connectez doucement le tuyau d'admission à la sortie extérieure « H » (Chaude) de la soupape d'eau. Serrez à la main, puis serrez un autre $\frac{2}{3}$ de tour avec les pinces. Connectez soigneusement l'autre boyau d'admission à la sortie extérieure « C » (Froide) de la soupape. Serrez à la main, puis serrez un autre $\frac{2}{3}$ de tour avec les pinces. **Ne faussez pas le filetage et ne serrez pas trop ces connexions.**



4. Installer les rondelles à grille en les insérant dans les bouts libres des tuyaux avec la partie protubérante face au robinet. C (F) H (C) Tuyau d'admission Grille Rondelles.



5. Connectez les bouts des tuyaux d'admission aux robinets d'eau CHAUDE et d'eau FROIDE en serrant solidement à la main, puis serrez un autre $\frac{2}{3}$ de tour avec les pinces. Ouvrez les robinets et vérifiez s'il y a des fuites.

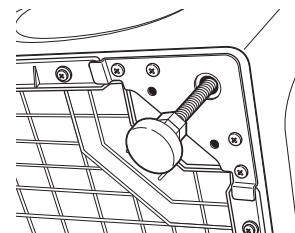


6. Déplacez doucement la laveuse à sa position finale. Balancez doucement la laveuse en position en vous assurant que les tuyaux d'admission ne s'entortillent pas. Il est important de ne pas endommager les pattes de nivellement lorsque vous déplacez votre laveuse à sa position finale. Les pattes endommagées peuvent augmenter la vibration de la laveuse. Il peut être utile de vaporiser du nettoyant à vitres sur le plancher afin de vous aider à déplacer votre laveuse dans sa position finale. **REMARQUE :** Pour réduire la vibration, assurez-vous que les quatre pattes de nivellement en caoutchouc touchent fermement le sol. Poussez et tirez sur l'arrière droite et ensuite sur l'arrière gauche de votre laveuse.

REMARQUE : N'utilisez pas le tiroir distributeur ou la porte pour lever la laveuse.

REMARQUE : Si vous l'installez dans plateau de vidange, vous pouvez utiliser un 2 X 4 de 61 cm (24 po) pour servir de levier pour déplacer la laveuse à sa place.

7. Avec la laveuse dans sa position finale, mettez un niveau sur le dessus de la laveuse (si la laveuse est installée sous un comptoir, la laveuse ne devrait pas pouvoir se balancer). Ajustez de bas en haut les pattes de nivellement avant pour vous assurer que la laveuse repose solidement. Tournez l'écrou de blocage de chaque patte vers la base de la laveuse et serrez-les avec une clé.



REMARQUE : Gardez l'extension des pattes à un minimum pour éviter une vibration excessive. Plus les pattes sont sorties, plus la laveuse vibre.

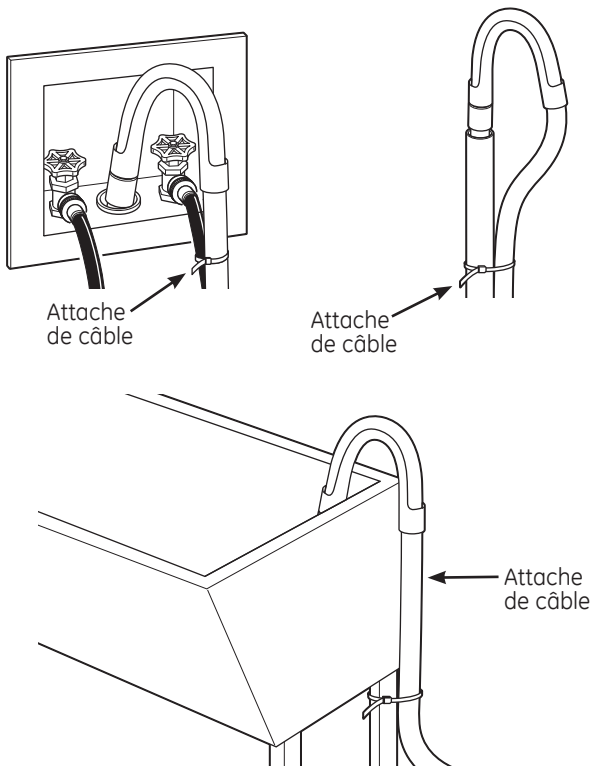
Si le sol n'est pas de niveau ou qu'il est endommagé, vous pourriez avoir à allonger les pattes de nivellement arrière.

Instructions d'Installation

INSTALLATION DE LA LAVEUSE (suite)

8. Fixez le guide de bout de tuyau en U au bout du tuyau de vidange. Placez les tuyaux dans une cuve à lessive ou la conduite verticale et fixez-le avec les attaches de câbles fournies dans l'emballage.

REMARQUE : Si vous mettez le tuyau de vidange trop bas, le tuyau d'égout peut causer un effet de siphon. On ne peut pas mettre plus que 17,8 cm (7 po) de tuyau dans le tuyau d'égout. Il doit y avoir un espace d'air autour du tuyau de vidange. Un ajustement trop serré peut également produire un effet de siphon. Attache de câble Attache de câble.



9. Branchez le cordon d'alimentation dans une prise avec mise à la terre.

REMARQUE : Vérifiez que le courant est coupé au disjoncteur ou à la boîte de fusibles avant de brancher le cordon d'alimentation dans la prise.

10. Mettez le courant au disjoncteur/à la boîte de fusibles.

11. Lisez le reste de ce guide de l'utilisateur. Il contient de l'information précieuse et utile qui vous fera économiser temps et argent.

12. Avant de partir la laveuse, vérifiez pour vous assurer que :

- Le courant principal est branché.
- La laveuse est branchée.
- Les robinets d'eau sont ouverts.
- L'appareil est de niveau et que les quatre pattes de nivellement sont fermement sur le sol.
- La quincaillerie de transport est enlevée et conservée.
- Le tuyau de vidange est correctement fixé.
- Il n'y a pas de fuites aux robinets, aux tuyaux de vidange ou à la laveuse.

13. Faites fonctionner la laveuse pour un cycle complet. Vérifiez qu'il n'y a pas de fuites et qu'elle fonctionne correctement.

14. Si votre laveuse ne fonctionne pas, veuillez vérifier la section *Avant d'appeler pour une réparation*.

15. Placez ces instructions à un endroit près de la laveuse pour référence future.

PIÈCES DE RECHANGE

Si des pièces de rechange sont nécessaires pour votre laveuse, vous pouvez les commander au Canada en appelant au 800.661.1616.



Conseils de dépannage – Économisez temps et argent!
Consultez d'abord les tableaux qui suivent et vous pourrez peut-être éviter de faire un appel pour une réparation.

Problème	Causes Possibles	Correctifs
Ne se vide N'essore pas N'agite pas	La brassée est d.balancée	<ul style="list-style-type: none"> • Redistribuez les vêtements et effectuez une vidange et essorage ou un rinçage et essorage. • Augmentez la taille de la brassée si vous lavez une petite brassée contenant des articles lourds.
	Pompe obstruée	<ul style="list-style-type: none"> • Voir la page 13 sur la façon de nettoyer le filtre de la pompe.
	Le tuyau de vidange est entortillé ou incorrectement connectée	<ul style="list-style-type: none"> • Redressez le tuyau de vidange et assurez-vous que la laveuse n'est pas dessus.
	L'égout de la maison est peut-être bouché	<ul style="list-style-type: none"> • Vérifiez la plomberie de la maison. Vous pourriez devoir appeler un plombier.
	Le tuyau de vidange siphonne ou est poussé trop loin dans l'égout	<ul style="list-style-type: none"> • Assurez-vous qu'il y a un espace d'air entre le tuyau et l'égout.
Fuite d'eau	Le joint d'étanchéité de la porte est endommagé	<ul style="list-style-type: none"> • Vérifiez si le joint est bien enfoncé et qu'il n'est pas déchiré. Les objets laissés dans les poches peuvent causer du dommage à la laveuse (clous vis, stylos, crayons).
	Le joint d'étanchéité de la porte n'est pas endommagé	<ul style="list-style-type: none"> • De l'eau peut s'égoutter de la porte lorsqu'elle est ouverte. Ceci est un fonctionnement normal. • Essuyez doucement le joint en caoutchouc de la porte. Parfois, la saleté ou les vêtements sont laissés dans ce joint et peuvent causer une petite fuite
	Vérifiez l'arrière gauche de la laveuse	<ul style="list-style-type: none"> • Si l'espace est mouillé, vous avez un excédent de savon pour de l'eau. Utilisez moins de détergent.
	Les tuyaux de remplissage ou le tuyau de vidange est incorrectement connectée	<ul style="list-style-type: none"> • Assurez-vous que les connexions des tuyaux sont serrées à la laveuse et aux robinets et assurez-vous que le bout du tuyau de vidange est correctement inséré et fixé au tuyau d'égout.
	L'égout de la maison est peut-être bouché	<ul style="list-style-type: none"> • Vérifiez la plomberie de la maison. Vous pourriez devoir appeler un plombier.
	Le distributeur est bouché	<ul style="list-style-type: none"> • Les détergents en poudre peuvent causer les blocages dans le distributeur et faire fuir de l'eau au devant du distributeur. Enlevez le tiroir et nettoyez le tiroir et l'intérieur de la boîte du distributeur. Veuillez voir référer à la section de Nettoyage de la laveuse.
	Utilisation de détergent incorrecte	<ul style="list-style-type: none"> • Utilisez la bonne quantité de détergent HE.
La boîte de distribution craque	<ul style="list-style-type: none"> • S'il s'agit d'une nouvelle installation, vérifiez qu'il n'y a pas de fissures dans la boîte de distribution. 	
Vêtements trop mouillés	La brassée est débalancée	<ul style="list-style-type: none"> • Redistribuez les vêtements et effectuez une vidange et essorage ou un rinçage et essorage. • Augmentez la taille de la brassée si vous lavez une petite brassée contenant des articles lourds. • La machine ralentira sa vitesse de rotation à 410 t/m. si elle a de la difficulté à équilibrer la brassée. Cette vitesse est normale.
	Pompe obstruée	<ul style="list-style-type: none"> • Voir la page 13 sur la façon de nettoyer le filtre de la pompe.
	Surcharge	<ul style="list-style-type: none"> • Le poids sec de la brassée devrait être inférieur à 35,2 kg (16 lb).
	Le tuyau de vidange est entortillé ou incorrectement connectée	<ul style="list-style-type: none"> • Redressez le tuyau de vidange et assurez-vous que la laveuse n'est pas dessus.
	L'égout de la maison est peut-être bouché	<ul style="list-style-type: none"> • Vérifiez la plomberie de la maison. Vous pourriez devoir appeler un plombier.
	Le tuyau de vidange siphonne ou est poussé trop loin dans l'égout	<ul style="list-style-type: none"> • Assurez-vous qu'il y a un espace d'air entre le tuyau et l'égout.

Avant d'appeler pour une réparation...

Problème	Causes Possibles	Correctifs	
<i>Cycle incomplet ou la minuterie n'avance pas</i>	<i>Distribution automatique de la brassée</i>	<ul style="list-style-type: none"> La minuterie ajoute 3 minutes au cycle pour chaque rebalancement. De 11 à 15 rebalancements peuvent se faire. C'est un fonctionnement normal. Ne faites rien, la laveuse terminera son cycle de lavage. 	
	<i>Pompe obstruée</i>	<ul style="list-style-type: none"> Voir la page 13 sur la façon de nettoyer le filtre de la pompe. 	
	<i>Le tuyau de vidange est entortillé ou incorrectement connecté</i>	<ul style="list-style-type: none"> Redressez le tuyau de vidange et assurez-vous que la laveuse n'est pas dessus. 	
	<i>L'égout de la maison est peut-être bouché</i>	<ul style="list-style-type: none"> Vérifiez la plomberie de la maison. Vous pourriez devoir appeler un plombier. 	
<i>Le tuyau de vidange siphonne ou est poussé trop loin dans l'égout</i>	<i>Le cabinet se déplace</i>	<ul style="list-style-type: none"> Assurez-vous qu'il y a un espace d'air entre le tuyau et l'égout. 	
	<i>Bruits forts ou inhabituels; vibration ou tremblement</i>	<ul style="list-style-type: none"> La laveuse est conçue pour se déplacer de 0,635 cm (1/4 po) pour réduire les forces transmises au plancher. Ce mouvement est normal. 	
	<i>Toutes les pattes de nivellement ne touchent pas fermement le plancher</i>	<ul style="list-style-type: none"> Poussez et tirez sur l'arrière droite et l'arrière gauche de votre laveuse pour vérifier si elle est de niveau. Si la laveuse n'est pas de niveau, ajustez les pattes de nivellement pour qu'elles touchent toutes fermement le plancher et qu'elles sont bloquées en place. Votre installateur devrait corriger ce problème. 	
	<i>Brassée déséquilibrée</i>	<ul style="list-style-type: none"> Ouvrez la porte et redistribuez de nouveau la brassée. Pour vérifier, la machine, faites un rinçage et un essorage à vide. S'ils sont normaux, le déséquilibre était causé par la brassée. 	
<i>Pompe obstruée</i>	<i>Pompe obstruée</i>	<ul style="list-style-type: none"> Voir la page 13 sur la façon de nettoyer le filtre de la pompe. 	
	<i>Pas de courant/la laveuse ne fonctionne pas ou est morte</i>	<ul style="list-style-type: none"> Assurez-vous que le cordon est branché solidement dans une prise qui fonctionne. 	
	<i>L'alimentation en eau est fermée</i>	<ul style="list-style-type: none"> Ouvrez au maximum les robinets d'eau chaude et d'eau froide. 	
	<i>Le disjoncteur/le fusible est</i>	<ul style="list-style-type: none"> Vérifiez les disjoncteurs/fusibles de la maison. Remplacez le fusible ou réinitialisez le disjoncteur. La laveuse devrait avoir une prise séparée. 	
<i>Autovérification du système</i>	<i>Autovérification du système</i>	<ul style="list-style-type: none"> La première fois que la laveuse est branchée, des vérifications automatiques ont lieu. Elles peuvent prendre jusqu'à 20 secondes avant que vous puissiez utiliser votre laveuse. C'est un fonctionnement normal. 	
	<i>Accrocs, trous, déchirures ou usure excessive</i>	<i>Remplissage excessif</i>	<ul style="list-style-type: none"> Ne dépassez pas la taille maximale recommandée des brassées. Voir la taille maximale recommandée des brassées à la page 11.
		<i>Stylos, crayons, clous, vis ou autres objets laissés dans les poches</i>	<ul style="list-style-type: none"> Videz les poches.
<i>Épingles, boutons-poussoirs, crochets, boutons coupants, les boucles de ceinture, les fermetures à glissière et objets coupants laissés dans les poches</i>	<i>Épingles, boutons-poussoirs, crochets, boutons coupants, les boucles de ceinture, les fermetures à glissière et objets coupants laissés dans les poches</i>	<ul style="list-style-type: none"> Fermez les boutons-poussoirs, les crochets, les boutons et les fermetures à glissière. 	
	<i>Le temps de contrôle est erroné ou change</i>	<i>C'est normal</i>	<ul style="list-style-type: none"> Le durant l'essorage, la laveuse peut avoir besoin de rééquilibrer la brassée à l'occasion afin de réduire les vibrations. Lorsque cela se produit le temps estimé est augmenté, causant le temps restant à augmenter ou à sauter.
<i>Pas assez d'eau</i>	<i>C'est normal</i>	<ul style="list-style-type: none"> Les laveuses horizontales ne nécessitent pas que la cuve se remplisse d'eau comme pour les laveuses à chargement par le haut. 	
<i>La laveuse s'arrête ou doit être redémarrée ou la porte de laveuse est verrouillée et elle ne s'ouvre pas</i>	<i>Pompe obstruée</i>	<ul style="list-style-type: none"> Voir la page 13 sur la façon de nettoyer le filtre de la pompe. 	

Problème	Causes Possibles	Correctifs
La porte se déverrouille ou on appui sur Mise en marche et la machine ne fonctionne pas	<i>C'est normal</i>	<ul style="list-style-type: none"> Les laveuses à chargement frontal démarrent différemment des laveuses chargées par le haut et il faut environ 30 secondes pour vérifier le système. La porte se verrouillera et se déverrouillera.
	<i>Fonctionnement incorrect</i>	<ul style="list-style-type: none"> Vous n'avez qu'à ouvrir et fermer la porte fermement, puis appuyez sur Start (<i>Mise en marche</i>).
L'eau n'entre pas dans la laveuse ou coule lentement	<i>Autovérification du système</i>	<ul style="list-style-type: none"> Après avoir appuyé sur Start (<i>Mise en marche</i>), la laveuse effectuer plusieurs vérifications du système. L'eau coulera 60 secondes après avoir appuyé sur Start (<i>Mise en marche</i>).
	<i>L'alimentation en eau est fermée</i>	<ul style="list-style-type: none"> Ouvrez entièrement les robinet d'eau chaude et d'eau froide.
	<i>Les grilles des soupapes sont bloqués</i>	<ul style="list-style-type: none"> Fermez l'alimentation et enlevez les tuyaux d'eau de derrière la partie haute de la laveuse Utilisez une brosse ou un cure-dent pour nettoyer les grilles de la machine. Reconnectez les tuyaux et ouvrez l'eau de nouveau.
	<i>Les rondelles à grille de l'admission d'eau sont bloqués</i>	<ul style="list-style-type: none"> Fermez l'eau et enlevez les tuyaux d'admission des robinets muraux. Utilisez une brosse ou un cure-dent pour nettoyer les rondelles à grille au bout des tuyaux. Reconnectez les tuyaux et ouvrez l'eau.
Froissement	<i>Triage incorrect</i>	<ul style="list-style-type: none"> Évitez de mêler les articles lourds (comme les vêtements de travail) à des articles légers (comme des blouses).
	<i>Surcharge</i>	<ul style="list-style-type: none"> Chargez votre laveuse pour que les vêtements aient suffisamment de place pour se déplacer plus librement.
	<i>Cycle de lavage incorrect</i>	<ul style="list-style-type: none"> Assortissez le choix du cycle au type de tissus que vous lavez (particulièrement pour les brassées à soin réduit).
	<i>Lavage répété dans de l'eau trop chaude</i>	<ul style="list-style-type: none"> Lavez à l'eau tiède ou froide.
Vêtements ternis et jaunis	<i>Pas assez détergent</i>	<ul style="list-style-type: none"> Utilisez la bonne quantité de détergent.
	<i>N'utilise pas du détergent HE</i>	<ul style="list-style-type: none"> Utilisez du détergent HE.
	<i>Eau dure</i>	<ul style="list-style-type: none"> Choisissez l'eau la plus chaude sûre pour les tissus. Utilisez du conditionneur d'eau comme la marque Calgon ou installez un adoucisseur d'eau.
	<i>L'eau n'est pas assez chaude</i>	<ul style="list-style-type: none"> Assurez-vous que le chauffe-eau fournit de l'eau à 48 à 60 °C (120 à 140 °F).
	<i>Le détergent ne se dissout pas</i>	<ul style="list-style-type: none"> Essayez un détergent liquide.
	<i>Transfert de teinture</i>	<ul style="list-style-type: none"> Triez les vêtements par couleur. Si l'étiquette de lavage recommande un lavage séparé, des teintures instables peuvent y être indiquées.
Taches de couleur	<i>Utilisation de l'assouplisseur incorrecte</i>	<ul style="list-style-type: none"> Vérifiez l'emballage de l'assouplisseur pour les instructions et suivez les indications pour utiliser le distributeur.
	<i>Transfert de teinture</i>	<ul style="list-style-type: none"> Triez les articles blancs et légèrement colorés à part des articles foncés. Sortez rapidement la brassée de la laveuse.
La température de l'eau est incorrecte	<i>L'alimentation en eau est incorrectement connectée</i>	<ul style="list-style-type: none"> Assurez-vous que les tuyaux sont connectés aux bons robinets.
	<i>Le chauffe-eau de la maison n'est pas réglé correctement</i>	<ul style="list-style-type: none"> Assurez-vous que le chauffe-eau de la maison fournit de l'eau à 48 à 60 °C (120 à 140 °F).
Légère variation dans la couleur métallisée	<i>C'est normal</i>	<ul style="list-style-type: none"> À cause des propriétés métalliques de la peinture utilisée pour ce produit unique, de légères variations de couleur peuvent être visibles à cause de l'angle de vue et des conditions d'éclairage.

Avant d'appeler pour une réparation...

Problème	Causes Possibles	Correctifs
Mauvaise odeur à l'intérieur de votre laveuse	La laveuse n'a pas utilisée depuis long temps, vous n'utilisez pas la qualité de détergent HE recommandée ou vous utilisez trop de détergent	<ul style="list-style-type: none"> Faites un cycle de Basket Clean (Nettoyage de cuve). Dans le cas d'odeurs fortes, vous pourriez avoir besoin d'effectuer le Basket Clean (Nettoyage de cuve) plus d'une fois. Utilisez seulement la quantité de détergent recommandée sur le contenant du détergent. Utilisez uniquement du détergent HE (haute efficacité). Sortez toujours rapidement de la laveuse les articles mouillés après que la machine ait fini de fonctionner. Laissez la porte légèrement ouverte pour assécher l'eau. Une étroite supervision est nécessaire si cet appareil est utilisé par ou près des enfants. Ne laissez pas les enfants de jouer sur, avec ou dans cet appareil ou n'importe quel autre électroménager dans cet appareil ou n'importe quel autre électroménager.
Le détergent fuit	Position incorrecte de case de détergent	<ul style="list-style-type: none"> Assurez-vous que la case de détergent est correctement située et entièrement la enfoncée. Ne mettez jamais de détergent au-dessus de la ligne de remplissage maximum.
Mauvaise distribution de l'assouplisseur ou du javellisant	<p>Distributeur bouché</p> <p>L'assouplisseur ou le javellisant sont remplis au-dessus de la ligne maximale</p> <p>Problème de couvercle d'assouplisseur ou de javellisant</p>	<ul style="list-style-type: none"> Lavez chaque mois le tiroir distributeur pour enlever les résidus de produits de lessive. Assurez-vous d'avoir la bonne quantité d'assouplisseur ou de javellisant. Assurez-vous que le couvercle du distributeur d'assouplisseur et de javellisant sont bien enfoncés ou ils ne fonctionneront pas.

Garantie de laveuse GE.



Toutes les réparations sous garantie seront effectuées par nos centres de réparation autorisés. Appelez le 800.561.3344.

Veillez fournir le numéro de série et le numéro de modèle lorsque vous appelez pour obtenir le service.

Agrafez votre facture ici. Pour obtenir le service sous garantie, une preuve de la date d'achat initial est nécessaire.

Pour une période de: Nous remplacera gratuitement:

Un An

A partir de la date d'achat initial
remplacer

Toute pièce de la laveuse qui s'avère défectueuse en raison d'un défaut de matériau ou de fabrication. Pendant cette **garantie limitée d'un an**, nous fournirons également **gratuitement** tous les frais de main d'œuvre et de déplacement du réparateur à votre domicile pour la pièce défectueuse.

Ce qui n'est pas couvert :

- Les déplacements à votre domicile pour vous expliquer l'utilisation de ce produit.
- Une mauvaise installation, livraison ou entretien.
- Une panne du produit si celui-ci est maltraité, mal utilisé ou utilisé à des fins autres que celles auxquelles il est destiné, ou utilisé commercialement.
- Des dommages après la livraison.
- Le remplacement de fusibles de la maison ou la remise en marche d'un disjoncteur.
- Des dommages au produit causés par un accident, un incendie, une inondation ou une catastrophe naturelle.
- Tout dommage indirect ou consécutif causé par des pannes possibles de cet appareil électroménager.
- Le service s'il est impossible d'avoir accès au produit.

EXCLUSION DE GARANTIES IMPLICITES – Votre seul et unique recours est la réparation du produit selon les dispositions de cette Garantie limitée. Toutes les garanties implicites, incluant les garanties de commercialité et d'adéquation à un usage spécifique, sont limitées à une année ou à la période la plus courte autorisée par la législation.

Cette garantie est offerte à l'acheteur initial, ainsi qu'à tout propriétaire subséquent d'un produit acheté au Canada en vue d'une utilisation domestique au Canada. Le service à domicile en vertu de la garantie sera fourni dans les régions où il est disponible et où Mabe estime raisonnable de le fournir.

LE GARANT N'EST PAS RESPONSABLE DES DOMMAGES INDIRECTS.

Garant : MC Commercial, Burlington, ON, L7R 5B6

Mesures de sécurité

Fonctionnement

Installation

Conseils de dépannage

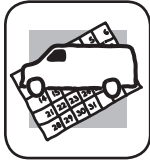
Soutien aux consommateurs

Soutien au consommateur.



SiteWeb appareils électroménagers GE www.electromenagersge.ca

Vous avez une question ou vous avez besoin d'aide pour votre appareil électroménager? Contactez-nous par Internet au site www.electromenagersge.ca 24 heures par jour, tous les jours de l'année.

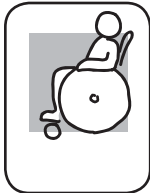


Service de réparations

800.561.3344

Service de réparations GE est tout près de vous.

Pour faire réparer votre électroménager GE, il suffit de nous téléphoner.



Studio de Conception Réaliste

Sur demande, GE peut fournir une brochure sur l'aménagement d'une cuisine pour les personnes à mobilité réduite.

Écrivez : Directeur, Relations avec les consommateurs, MC Commercial

Bureau 310, 1 Factory Lane

Moncton, N.B. E1C 9M3



Pièces et Accessoires

Ceux qui désirent réparer eux-mêmes leurs électroménagers peuvent recevoir pièces et accessoires directement à la maison (cartes VISA, MasterCard et Discover acceptées).

Les directives stipulées dans le présent manuel peuvent être effectuées par n'importe quel utilisateur. Les autres réparations doivent généralement être effectuées par un technicien qualifié. Soyez prudent, car une réparation inadéquate peut affecter le fonctionnement sécuritaire de l'appareil.

Vous trouverez dans les pages jaunes de votre annuaire le numéro du Centre de service Mabe le plus proche. Autrement, appelez-nous au 800.661.1616.



Contactez-nous

Si vous n'êtes pas satisfait du service après-vente dont vous avez bénéficié

Premièrement, communiquez avec les gens qui ont réparé votre appareil.

Ensuite, si vous n'êtes toujours pas satisfait envoyez tous les détails—numéro de téléphone compris—au

Directeur, Relations avec les consommateurs, Mabe Canada Inc

Bureau 310, 1 Factory Lane

Moncton, N.B. E1C 9M3



Inscrivez votre appareil électroménager

electromenagersge.ca

Inscrivez votre appareil électroménager en direct, aussitôt que possible. Cela améliorera nos communications et notre service après-vente. Vous pouvez également nous envoyer par la poste le formulaire d'inscription joint à votre documentation.



Lavadoras

Instrucciones de seguridad 2, 3

Instrucciones de funcionamiento

Paneles de control 4, 7
Funciones 8-9
Carga y uso de la lavadora 10, 11
Limpieza de la lavadora 12-14

Instrucciones de instalación 15-20

Preparación para la instalación de la lavadora 15
Dimensiones aproximadas 16
Ubicación de la lavadora 16
Desembalaje de la lavadora 17
Requisitos de desagüe 18
Requisitos de suministro de agua 18
Requisitos eléctricos 18
Instalación de la lavadora 19, 20
Piezas de repuesto 20

Consejos para la solución de problemas 21-24

Atención al cliente

Garantía (EE.UU.) 25
Servicio al consumidor 28



Como socio de Energy Star®, GE ha confirmado que este producto cumple las directrices de Energy Star® relativas al rendimiento energético.

Escriba aquí los números de modelo y serie:

N.º de modelo _____

N.º de serie _____

Puede encontrarlos en una etiqueta situada en el costado de la lavadora.

Manual del propietario e instalación

- GFWN1100
- GFWN1200
- GFWH1200
- GMAN1200
- GFWH1300
- GFWN1300
- GFWH1400
- GFWH1405
- GFWS1500
- GFWS1505

INFORMACIÓN DE SEGURIDAD IMPORTANTE. LEA TODAS LAS INSTRUCCIONES ANTES DEL USO.

Instrucciones de seguridad



Éste es el símbolo de alerta de seguridad. El mismo alerta sobre potenciales riesgos que le pueden producir la muerte o lesiones tanto a usted como a otras personas. Todos los mensajes de seguridad estarán a continuación del símbolo de alerta de seguridad y con la palabra "PELIGRO", "ADVERTENCIA" o "PRECAUCIÓN". Estas palabras se definen como:



PELIGRO Indica una situación de riesgo que, si no se evita, **producirá** la muerte o lesiones graves.



ADVERTENCIA Indica una situación de riesgo que, si no se evita, **podría** producir la muerte o lesiones graves.



PRECAUCIÓN Indica una situación de riesgo que, si no se evita, **podría** resultar en lesiones menores o moderadas.

Instrucciones de funcionamiento

Instrucciones de instalación

Consejos para la solución de problemas

Servicio al consumidor

INSTRUCCIONES IMPORTANTES DE SEGURIDAD



ADVERTENCIA Para reducir el riesgo de muerte, incendio, explosión, descargas eléctricas o lesiones sobre las personas al usar su electrodoméstico, siga las precauciones básicas, incluyendo lo siguiente

- Lea todas las instrucciones antes de usar este electrodoméstico.
- NO lave ni seque prendas que en forma previa hayan sido secadas, lavadas, mojadas o manchadas con gasolina, solventes de limpieza en seco, u otras sustancias inflamables o explosivas, ya que despiden vapores que se podrían encender o explotar.
- NO agregue gasolina, solventes de limpieza en seco, u otras sustancias inflamables o explosivas al agua de lavado. Estas sustancias despiden vapores que se podrían prender fuego o explotar.
- Bajo ciertas condiciones, se podrá producir gas de hidrógeno en un sistema de agua caliente que no fue usado por 2 semanas o más. EL GAS DE HIDRÓGENO ES UN EXPLOSIVO. Si el sistema de agua caliente no fue usado por dicho período, antes de usar una lavadora, abra todos los grifos de agua caliente y deje que corra agua de cada uno durante varios minutos. Esto liberará cualquier gas de hidrógeno acumulado. Debido a que el gas es inflamable, NO fume ni use una llama abierta durante este proceso.
- NO permita que los niños jueguen sobre o dentro de este electrodoméstico. Cuando el electrodoméstico se use cerca de niños, será necesario supervisarlos de cerca. Antes de dejar la lavadora fuera de servicio o de deshacerse de ésta, quite la puerta o la tapa. Si no se siguen estas instrucciones, se podrá producir la muerte o lesiones personales.
- NO introduzca las manos en el electrodoméstico si el tambor o agitador se encuentra en movimiento a fin de evitar enredos accidentales.
- NO instale ni guarde este electrodoméstico donde quede expuesto a los factores climáticos.
- NO manipule indebidamente los controles, reparar ni reemplazar cualquier parte del electrodoméstico o realizar cualquier otro trabajo técnico, a menos que esto sea específicamente recomendado en las instrucciones de mantenimiento del usuario o en instrucciones publicadas sobre reparaciones del usuario, que entienda y para las cuales posea las destrezas necesarias.
- Mantenga el área alrededor de su electrodoméstico limpia y seca a fin de reducir la posibilidad de resbalones.
- NO intente usar este electrodoméstico si se encuentra dañado, funcionando mal, parcialmente desensamblado, o si tiene partes faltantes o rotas, incluyendo un cable o enchufe dañado.
- Desenchufe el electrodoméstico o apague el disyuntor antes de realizar el servicio técnico. Presionar el botón **Power** (*Encendido*) NO desconecta el encendido.
- Para acceder a las instrucciones de conexión a tierra, lea los "Requisitos Eléctricos" ubicados en las Instrucciones de Instalación.

GUARDE ESTAS INSTRUCCIONES

INSTALACIÓN CORRECTA



La lavadora se debe instalar y colocar correctamente de acuerdo con las instrucciones de instalación, antes de utilizarla. Si no recibió la hoja con instrucciones de instalación, puede obtener una visitando GEAppliances.com o llamando al **800.GE.CARES** (800.432.2737).

- Asegúrese de que la manguera de agua caliente esté conectada a la válvula "H" (interna proyectada de color rojo) y que la manguera de agua fría esté conectada a la válvula "C" (interna proyectada de color azul).
- Instale o almacene la lavadora en un lugar donde no esté expuesta a temperaturas bajo cero ni a las inclemencias climáticas, ya que esto puede provocar daños irreversibles e invalidar la garantía.
- Conecte correctamente a tierra la lavadora de conformidad con todos los códigos y ordenanzas regulatorias. Siga la información de Instrucciones de instalación.
- Esta lavadora no incluye mangueras de suministro de agua.
GE recomienda enfáticamente el uso de piezas especificadas de fábrica. A continuación se encuentra una lista de mangueras de fábrica disponibles para la compra. Estas mangueras están fabricadas y probadas para cumplir con las especificaciones de GE.
GE recomienda enfáticamente el uso de mangueras nuevas de suministro de agua. Las mangueras se desgastan con el tiempo y deben reemplazarse cada 5 años para reducir el riesgo de fallas en las mangueras y daños provocados por el agua.

⚠ ADVERTENCIA - **Riesgo de Descarga Eléctrica**

Enchufe en un tomacorriente con conexión a tierra de 3 cables.

NO retire la conexión a tierra.

NO UTILICE un cable de extensión.

NO UTILICE un enchufe adaptador con este artefacto.

Si no cumple con esto, se podrá producir la muerte, incendio o descarga eléctrica.

Piezas y accesorios

Solicítelos on-line hoy mismo a GEApplianceparts.com, las 24 horas del día o por teléfono al 800.626.2002 en horario normal de trabajo.

Número de Pieza	Accesorio
PM14X10002	Mangueras de goma de suministro de agua de 4 pies
0	
PM14X10005	Mangueras de metal trenzada de suministro de agua de 4 pies
WX10X10011	Limpiador Tide® para Lavadoras*
WX7X1	Bandeja del Piso de la Lavadora

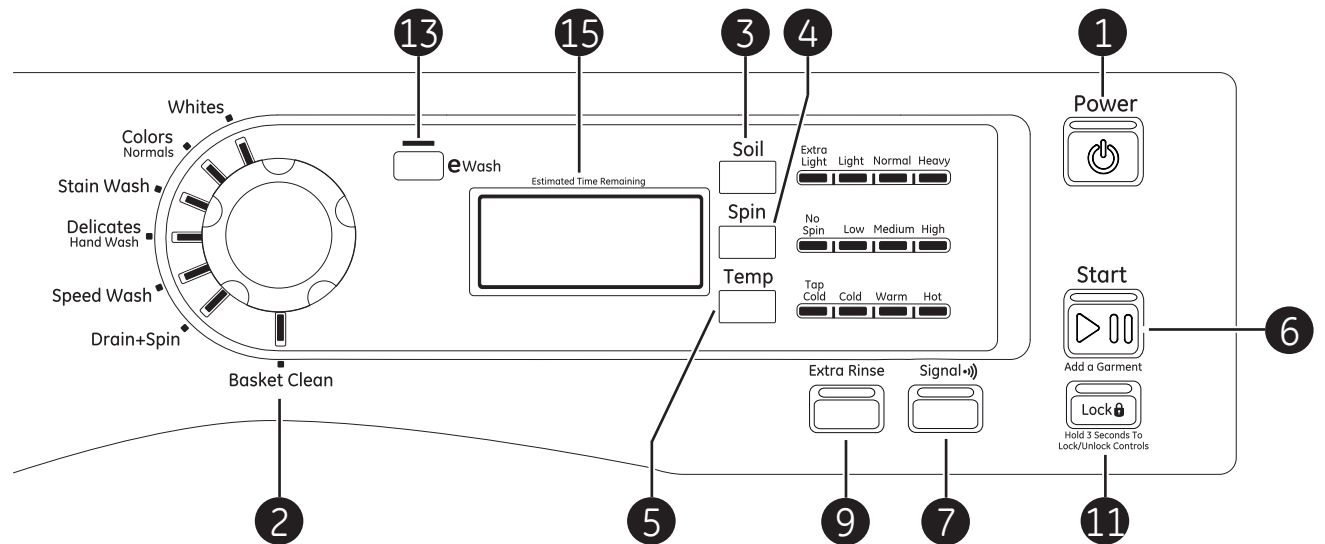
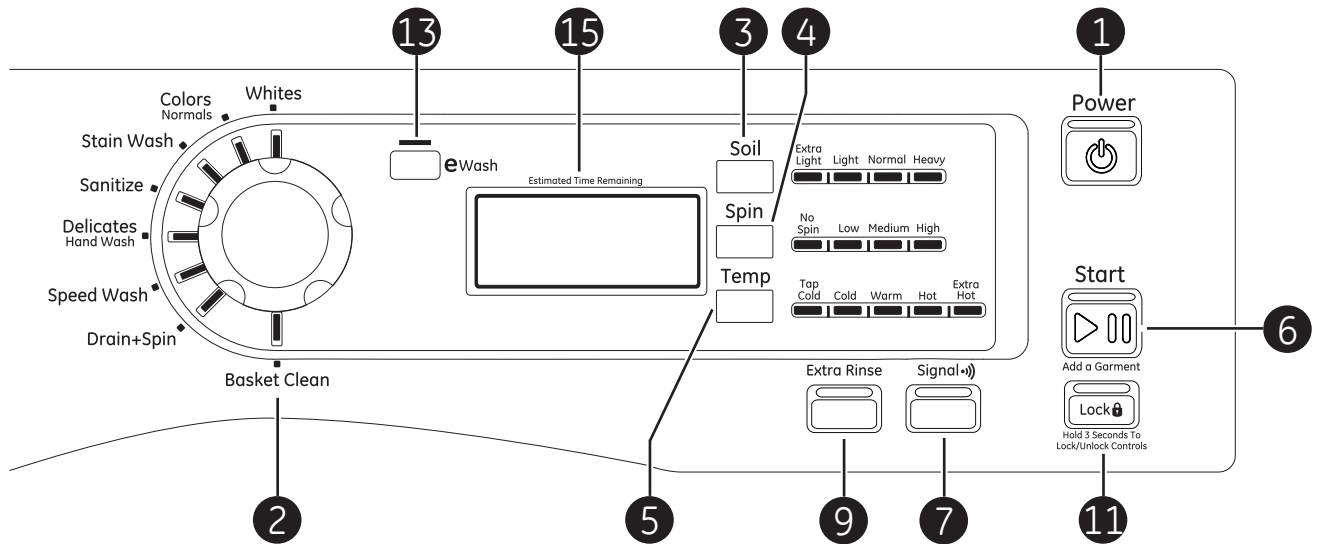
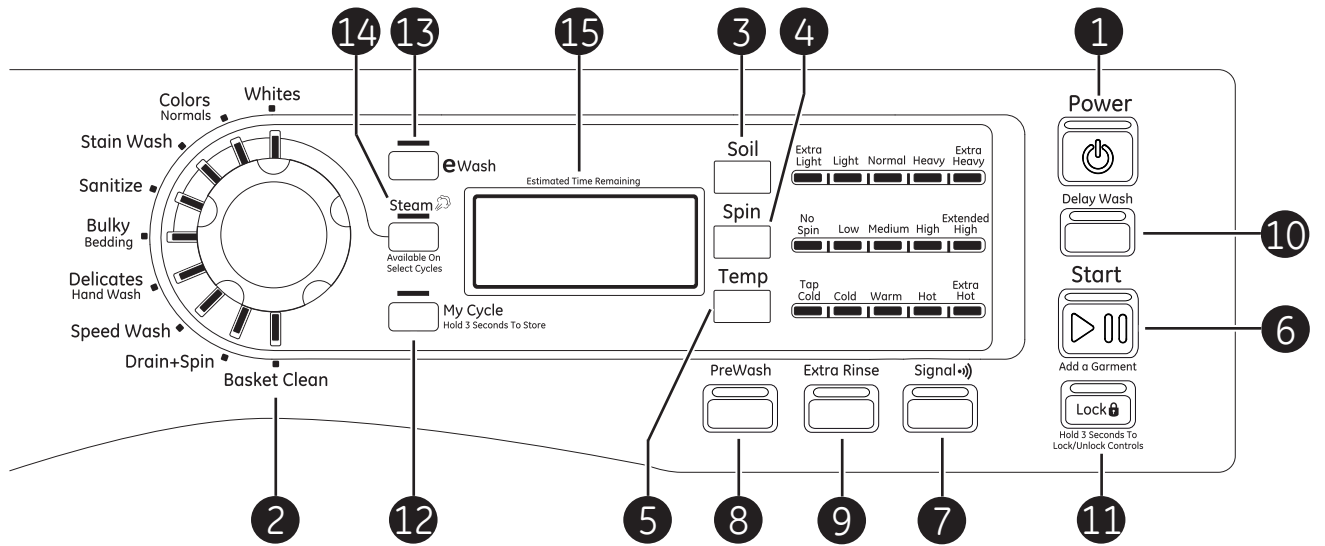
CUANDO NO ESTÉ EN USO

- Cierre las llaves de paso minimizar las fugas en caso de que se produzca una rotura o grieta. Compruebe el estado de las mangueras de llenado; GE recomienda el cambio de las mangueras cada 5 años.

GUARDE ESTAS INSTRUCCIONES

El panel de control de la lavadora.

Busque la ilustración que más se ajusta a su modelo y para más detalles vea las descripciones.

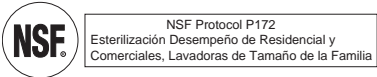


1 Power (Encendido/Apagado)

Pulse este botón para "activar" la pantalla. Si la pantalla está activa, púselo para poner la lavadora en modo de espera. **NOTA:** Al pulsar el botón de **Encendido** no se desconecta la lavadora de la corriente.

2 Wash Cycles (Ciclos de lavado)

Los ciclos de lavado se han optimizado para tipos específicos de cargas de lavado. La siguiente tabla le ayudará a combinar el tipo de lavado con las cargas. Los elevadores GentleClean™ hacen girar la ropa suavemente en la solución de agua y detergente para limpiar la carga.

Whites (Ropa Blanca)	Para prendas de blanco sólidos con mucha o poca suciedad.
Colors/Normals (Ropa de Colores/Normals)	Para prendas de algodón, ropa de cama, prendas de trabajo o deportivas de colores sólidos con mucha o poca suciedad.
Stain Wash (Lavado Intensivo)	Para prendas de colores sólidos con mucha suciedad.
Sanitize (Esterilización) (en algunos modelos)	Al seleccionar esterilización, la lavadora aumenta la temperatura del agua para esterilizar y eliminar 99.9% de las bacterias en los lavados hogareños. Para obtener mejores resultados, seleccione la configuración de suciedad excesiva cuando utilice cycle de esterilización.
	
Bulky Bedding (Prendas Voluminosas) (en algunos modelos)	Para abrigos grandes, colchas, cubre colchones, bolsas de dormir y artículos similares grandes y voluminosos. Artículos grandes tales como mantas, edredones, chamarras y tapetes pequeños.
Delicates/Hand Wash (Delicadas/Lavado)	Para lencería y telas de cuidado especiales con poca o normal suciedad. Proporciona una limpieza y un remojo suaves durante el lavado y el enjuagado.
Speed Wash (Lavado Rápido)	Para prendas con poca suciedad que se necesiten en poco tiempo. La duración del ciclo es de aproximadamente 30 minutos, dependiendo de las opciones seleccionadas.
Drain & Spin (Centrifugado y Desagüe)	Para centrifugar y desaguar en cualquier momento.
Basket Clean (Limpieza de Canasta)	Use para limpiar la canasta de residuos y olores. Uso recomendado una vez por mes. NOTA: Nunca cargue ropa sucia mientras se esté usando la Basket Clean (Limpieza de la Canasta). La ropa sucia se podrá dañar o contaminar. Lea la sección de Cuidado y Limpieza .

3 Soil Level (Nivel de suciedad)

Al cambiar el **Soil (Nivel de Suciedad)**, aumenta o disminuye el tiempo de lavado con el fin de eliminar las distintas cantidades de suciedad.

Para cambiar el **Soil (Nivel de Suciedad)**, pulse el botón **Soil (Nivel de suciedad)** hasta obtener el valor deseado.

4 Spin Speed (Velocidad de centrifugado)

Al cambiar la **Spin (Velocidad de centrifugado)**, cambia la velocidad final de centrifugado de los ciclos. Siga siempre las indicaciones de la etiqueta de cuidado del tejido del fabricante al cambiar la Velocidad de centrifugado.

Para cambiar la Velocidad de centrifugado, pulse el botón **Spin (Velocidad de centrifugado)** hasta obtener el valor deseado. Las velocidades de centrifugado más rápidas no están disponibles en determinados ciclos, como **Delicates (Delicadas)**.

Con dichas velocidades, se elimina más agua de las prendas y se reduce el tiempo de secado, aunque también puede aumentar la posibilidad de que se formen arrugas en algunos tejidos.

5 Wash Temp (Temperatura de lavado)

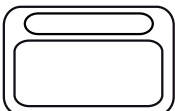
Ajuste este control para seleccionar la temperatura del agua adecuada para el ciclo de lavado. El agua de prelavado y enjuagado está siempre fría para poder reducir el consumo de energía y las manchas y arrugas.

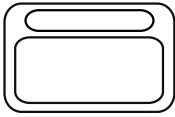
Siga las indicaciones de la etiqueta de cuidado del tejido del fabricante al seleccionar la temperatura de lavado. Para cambiar la temperatura de lavado, pulse el botón **Wash Temp (Temperatura de lavado)** hasta obtener el valor deseado.

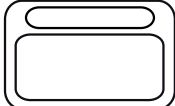
NOTA: Los 10 primeros segundos de la toma de agua, siempre está fría. Esta función permite acondicionar el tejido y evitar que las manchas se adhieran a las prendas.

El panel de control de la lavadora.


- 6 Start/Add a Garment (Iniciar/Agregue una Prenda)**
Pulse este botón para iniciar un ciclo de lavado. Si la lavadora está en funcionamiento, al pulsarlo una vez, la lavadora se detendrá y se desbloqueará la puerta. Vuelva a pulsar el botón para reiniciar el ciclo de lavado.
NOTA: Si la lavadora está detenida y el ciclo no se reinicia en 2 horas, se cancelará el ciclo de lavado actual.
NOTA: La lavadora realiza revisiones automáticas del sistema después de presionar el botón **Start** (Inicio). El flujo de agua se iniciará en 45 segundos o antes. Podrá escuchar la puerta al trabarse y destrabarse antes de que comience a fluir el agua; esto es normal.

- 7**  **Signal (Señal de ciclo)**
Utilice el botón **Signal** (Señal) para cambiar el volumen de la señal de final del ciclo.
Pulse el botón hasta alcanzar el volumen deseado.

- 8**  **PreWash** **PreWash (Prelavado)** (en algunos modelos)
El prelavado es un lavado adicional que se realiza antes del lavado principal. Utilícelo con prendas muy sucias o con aquellas prendas en cuyas etiquetas de cuidado se recomienda realizar un prelavado. Asegúrese de añadir detergente de alta eficacia o la sustancia de lavado correspondiente en la cubeta de prelavado.
NOTA: Al seleccionar el prelavado, se recomienda utilizar detergente en polvo en el depósito de detergente del lavado principal.

- 9**  **Extra Rinse** **Extra Rinse (Enjuagado extra)**
Use esta función cuando desee un enjuagado adicional para eliminar los restos de suciedad y detergente en cargas sucias.

- 10**  **Delay Wash** **Delay Wash (Retrasar Lavado)** (en algunos modelos)
Se puede retardar el inicio de un ciclo de lavado en 10–18 horas, dependiendo del modelo. Pulse el botón **Delay Wash** (Retrasar Lavado) para seleccionar el número de horas que desee retardar el inicio del ciclo y, a continuación, pulse el botón **Start** (Iniciar). La lavadora comenzará la cuenta regresiva y se pondrá en funcionamiento automáticamente a la hora señalada.
NOTA: Si olvida cerrar por completo la puerta, sonará una señal para recordárselo.
NOTA: Si abre la puerta durante la cuenta regresiva, la lavadora entrará en estado de pausa. Debe cerrar la puerta y pulsar de nuevo **Start** (Iniciar) para reiniciar la cuenta regresiva.

- 11**  **Lock (Bloquear)**
Hold 3 Seconds To Lock/Unlock Controls
Puede bloquear los controles para impedir que se realice cualquier selección. O bien puede bloquear los controles después de haber iniciado un ciclo.
Para desbloquear los controles de la lavadora, mantenga pulsado el botón de **Lock** (Bloquear) durante 3 segundos.
El icono de bloqueo de los controles que aparece en la pantalla se encenderá cuando esté activado.
NOTA: El botón de **Power** (Encendido/Apagado) puede seguir utilizándose cuando la lavadora está bloqueada.
Con esta opción seleccionada, los niños no podrán poner en marcha la lavadora de manera fortuita aunque toquen el panel.
Para bloquear la lavadora, mantenga pulsado el botón de **Lock** (Bloquear) durante 3 segundos.

12

**My Cycle (Mi Ciclo)** (en algunos modelos)

Para guardar el ciclo que prefiera, establezca los valores deseados para los ajustes de ciclo de lavado, nivel de suciedad, velocidad de giro y temperatura de lavado y mantenga pulsado el botón **My Cycle (Mi Ciclo)** durante 3 segundos. Sonará un pitido para indicar que el ciclo se ha guardado.

Para utilizar el ciclo personalizado, pulse el botón **My Cycle (Mi Ciclo)** antes de lavar una carga.

Para cambiar el ciclo guardado, establezca los valores deseados y mantenga pulsado el botón **My Cycle (Mi Ciclo)** durante 3 segundos.

NOTA: Al utilizar **My Cycle (Mi Ciclo)**, no se pueden modificar las opciones de lavado una vez que comience el ciclo.

NOTA: Si cambia las opciones de lavado con **My Cycle (Mi Ciclo)** antes de que el ciclo comience, el indicador de **My Cycle (Mi Ciclo)** se apagará y volverá al ciclo base.

13

**eWash (Energy Saving Wash)** (Lavado Con Ahorro De Energía)

Utilice **eWash** para ahorrar energía en ciclos de lavado específicos. **eWash** no puede utilizarse con **Steam Refresh (Renovación Por Vapor)**, **Stain Wash (Lavado de Manchas)** o **Basket Clean (Limpieza de Tambor)**.

14



Available On
Select Cycles

Steam (Vapor) (en algunos modelos)

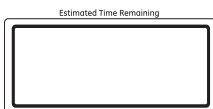
Steam (Vapor) agrega vapor dentro de la lavadora durante los ciclos **Whites (Ropa Blanca)**, **Colors/Normals (Ropa de Colors Normales)**, **Stain Wash (Lavado de Manchas)**, **Sanitize (Esterilización)** o **Bulky Bedding (Prendas Voluminosas)**.

Para usar:

1. Encienda el **Power (Aparato On)** y seleccione un ciclo de lavado.
2. Seleccione el botón **Steam (Vapor)** para activar.
3. Presione el botón **Start (Iniciar)**.

La opción **Steam (Vapor)** sólo se encuentra disponible en los ciclos **Whites (Ropa Blanca)**, **Colors/Normals (Ropa de Colors Normales)**, **Stain Wash (Lavado de Manchas)**, **Sanitize (Esterilización)** o **Bulky Bedding (Prendas Voluminosas)**.

15

**Display (Pantalla)** (en algunos modelos)

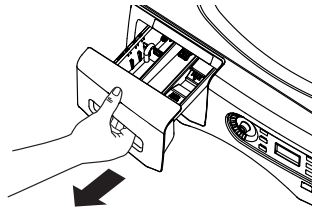
La pantalla muestra el tiempo restante aproximado hasta el final del ciclo.

NOTA: El tiempo del ciclo es afectado por el tiempo que toma llenar la lavadora. Esto depende de la presión del agua en su hogar.

Acerca de las funciones de la lavadora.

NOTA: Puede que estas funciones no estén disponibles en todos los modelos de la lavadora.

Instrucciones de seguridad



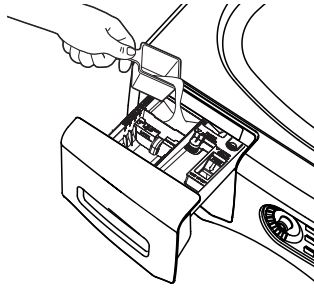
Depósito de detergente

Abra lentamente el depósito de detergente tirando de él hasta que se detenga.

Tras añadir los productos de lavado, ciérrelo despacio. Si cierra el depósito demasiado rápido, puede provocar que la lejía, el suavizante o el detergente se administren antes de tiempo.

Es posible que observe agua en los compartimentos de lejía y suavizante al final del ciclo. Este es el resultado de la acción de trasvase y forma parte del funcionamiento normal de la lavadora.

Instrucciones de funcionamiento



Compartimento de prelavado

(en algunos modelos)

- Utilice sólo el compartimento de prelavado si va a seleccionar el ciclo Pre Wash (Prelavado) para prendas muy sucias. Añada la cantidad de detergente o de sustancia de prelavado al compartimento de prelavado situado en la parte posterior izquierda del depósito de detergente.
- El detergente o la sustancia de prelavado se añaden desde el depósito durante el ciclo de prelavado (en caso de que se seleccione).

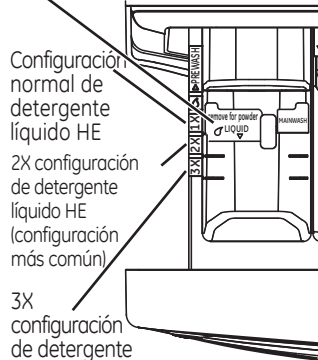
NOTA: El detergente líquido se vaciará en el tambor de la lavadora a medida que se añade.

- Es posible que haya que ajustar el uso de detergente a la temperatura del agua, a la dureza de la misma, al tamaño y al nivel de suciedad de la carga. Evite utilizar demasiado detergente en la lavadora ya que puede producir demasiado jabón y dejar restos en las prendas.

Instrucciones de instalación

En algunos modelos:

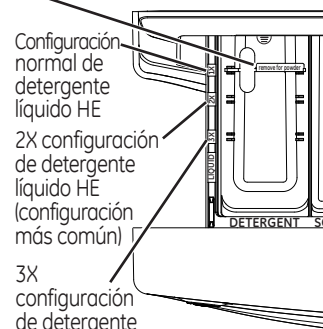
Quite de detergente en polvo



El aspecto puede variar

En algunos modelos:

Quite de detergente en polvo



El aspecto puede variar

Compartimento para el detergente

- **Utilice sólo detergente de alta eficacia con esta lavadora. Use la cantidad recomendada por el fabricante del detergente.**

La pieza de selección de detergente se debe colocar en el compartimento de detergente en la posición específica con respecto al tipo de detergente que se vaya a utilizar.

- **Detergente en polvo** – Quite la pieza de selección de detergente.
- **Detergente líquido** – Usted tendrá que ajustar la pieza de acuerdo con el tipo de detergente líquido que esté utilizando. Los íconos ubicados sobre el costado del compartimento para detergente deben estar alineados sobre el centro cuando la pieza se encuentra en su posición.

Mueva la pieza sacándola y deslizándola entre las ranuras del compartimento de detergente delantero o trasero, según desee, para detergente líquido. Quite de detergente en polvo.

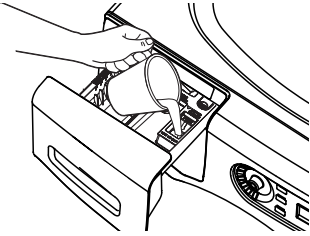
- Añada la medida de detergente al compartimento de detergente delantero izquierdo del depósito.
- El detergente se añade desde el depósito al comienzo del ciclo de lavado. Se puede utilizar tanto detergente en polvo como líquido.
- Es posible que haya que ajustar el uso de detergente a la temperatura del agua, a la dureza de la misma, al tamaño y al nivel de suciedad de la carga. Evite utilizar demasiado detergente en la lavadora ya que puede producir demasiado jabón y dejar restos en las prendas.
- Utilizar más detergente de la cantidad recomendada puede provocar una acumulación de residuos en su lavadora.

NOTA: No todos los modelos tienen las configuraciones para detergentes 2x y 3x. Algunos vienen sólo con la configuración regular HE. Para lograr la configuración 2x ó 3x usted deberá reducir la cantidad de detergente según las instrucciones del envase.

Consejos para la solución de problemas

Servicio al consumidor

En algunos modelos:



Compartimento para lejía líquida

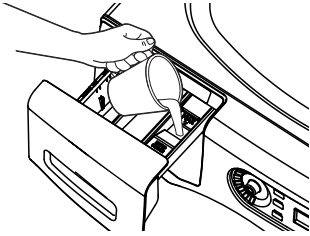
IMPORTANTE: La posición del compartimento de lejía varía con cada modelo. Asegúrese de identificar el compartimento correcto para lejía antes del uso.

Si lo desea, mida la cantidad recomendada de lejía líquida, que no sobrepase 1/3 del recipiente (80 ml) y viértala en el compartimento derecho con la etiqueta "Liquid Bleach" (Lejía líquida).

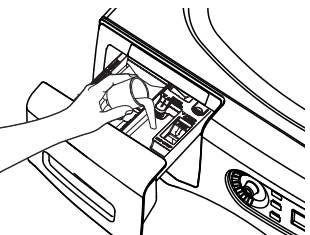
No sobrepase la línea de llenado máximo. Un llenado excesivo puede hacer que la lejía se administre demasiado pronto y, como resultado, dañe las prendas.

NOTA: No utilice lejía en polvo en el depósito.

En algunos modelos:



En algunos modelos:



Compartimento para el suavizante

IMPORTANTE: La posición del compartimento del suavizante varía con cada modelo. Asegúrese de identificar el compartimento correcto para suavizante antes del uso.

Si lo desea, vierta la cantidad recomendada de suavizante líquido en el compartimento con la etiqueta "Fabric Softener" (Suavizante).

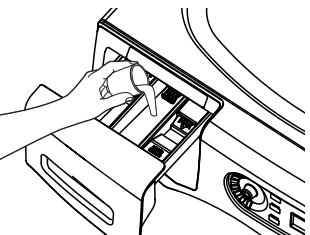
Utilice sólo suavizante líquido en el depósito.

Dilúyalo con agua hasta la línea de llenado máximo.

No sobrepase la línea de llenado máximo. Un llenado excesivo puede hacer que el suavizante se administre demasiado pronto y manche las prendas.

NOTA: No vierta directamente el suavizante sobre la carga.

En algunos modelos:



Carga y uso de la lavadora.

Siga siempre las indicaciones de la etiqueta de cuidado del tejido del fabricante en el lavado y el planchado.

Instrucciones de seguridad

Instrucciones de funcionamiento

Instrucciones de instalación

Consejos para la solución de problemas

Servicio al consumidor



Separación de cargas

Ordene la ropa sucia en cargas que se puedan lavar juntas.

Colores	Suciedad	Tejido	Pelusas
Ropa blanca	Mucha	Prendas delicadas	Prendas que sueltan pelusa
Ropa de colores claros	Normal	Prendas de fácil cuidado	Prendas a las que se adhiere la pelusa
Ropa de colores oscuros	Poca	Prendas resistentes de algodón	

- *Combine las prendas grandes y pequeñas en cada carga. Cargue primero las prendas grandes. Las prendas grandes no deben representar más de la mitad de la carga total de lavado.*
- *No se recomienda lavar prendas sueltas. Esto puede producir una carga desequilibrada. Añada una o dos prendas similares.*
- *Las almohadas y los edredones no deben mezclarse con otras prendas. Esto puede producir una carga desequilibrada.*

ADVERTENCIA - Riesgo de incendio

Nunca coloque prendas en la lavadora que estén humedecidas con gasolina u otros fluidos inflamables.

Ninguna lavadora puede eliminar el aceite por completo.

No seque nada que alguna vez haya tenido algún tipo de aceite (incluyendo aceites de cocina).

Si no se cumple con esto, se podrá producir la muerte, una explosión o un incendio.

Preparación de las prendas

Siga estos pasos para maximizar el cuidado de las prendas.

- *Para evitar enganches durante el lavado:*
 - *Cierre las cremalleras, broches, botones y ganchos.*
 - *Arregle las costuras, dobladillos y rasgones.*
 - *Vacíe todos los elementos de los bolsillos.*
 - *Quite los accesorios no lavables de las prendas tales como adornos y materiales de ribetes no lavables.*
- *Para evitar los enredos, ate los cordones, hebillas y materiales tipo cinturón.*
- *Limpie suciedad y pelusas superficiales con un cepillo; trate las manchas.*
- *Lave rápidamente las prendas húmedas o manchadas para maximizar los resultados.*
- *Mezcle las prendas utilizando los tamaños máximos recomendados de carga en la página 11.*
- *Utilice bolsas para prendas de malla de nylon para lavar elementos pequeños.*
- *Para un mejor resultado, lave muchas prendas al mismo tiempo.*



Carga de la lavadora

Puede que el tambor de la lavadora esté totalmente lleno con prendas sueltas que se añadan. **No lave tejidos que contengan materiales inflamables (ceras, líquidos de limpieza, etc.).**

Para añadir prendas una vez que la lavadora esté en marcha, pulse **START/PAUSE** (Iniciar/pausa) y espere hasta que se desbloquee la puerta. La lavadora puede tardar unos 30 segundos en desbloquear la puerta después de pulsar **START/PAUSE** (Iniciar/pausa) dependiendo de las condiciones de la misma. No intente forzar la puerta para abrirla cuando esté bloqueada. Una vez que se desbloquee, ábrala con cuidado. Añada prendas, cierre la puerta y pulse **START/PAUSE** (Iniciar/pausa) para reiniciar el funcionamiento.

Tamaños de carga máximos*

ROPA DE TRABAJO	ROPA DE CAMA	CARGA MIXTA	DELICADOS**	LAVADO RÁPIDO (2-4 PRENDAS)
4 Jeans 5 camisas de trabajo 5 pantalones de trabajo	2 toallones grandes 10 toallas de baño/ 12 toallitas 7 toallas de mano/ 2 alfombras de baño de toalla ○ 2 sábanas rectas tamaño Queen 2 sábanas ajustables tamaño Queen 4 fundas de almohada	4 fundas de almohada 2 toallas de mano 2 sábanas rectas/ 2 sábanas ajustables 2 toallas de baño/ 4 toallitas ○ 6 camisas (de hombre o de mujer) 4 pantalones (Khakis o de sarga) 5 camisetas 7 boxers 4 shorts ○ 6 camisetas 4 pantalones de gimnasia 4 sudaderas 2 sudaderas con capucha 7 pares de medias	7 sostenes 7 pantaletas 3 enaguas 2 camisolas 4 camisones	2 camisas de trabajo informales 1 pantalón de trabajo informal ○ 3 uniformes de fútbol

*Superar los tamaños máximos recomendados de carga puede afectar el desempeño de limpieza y el cuidado de la prenda.

**Se recomienda el uso de una bolsa de malla de nylon para elementos pequeños.

Limpeza de la lavadora.



Cuidado y limpieza

Exterior: Limpie inmediatamente cualquier vertido. Utilice un trapo húmedo. No aplique objetos afilados a la superficie.

Desplazamiento y almacenamiento: Pida al técnico de servicio que elimine el agua de las tuberías y la bomba de desagüe. No guarde la lavadora en un lugar donde esté expuesta a las inclemencias climáticas. Al mover la lavadora, la cuba debe mantenerse estable utilizando los pernos de transporte que se han extraído durante la instalación. Consulte las Instrucciones de instalación en este manual. Si estas piezas no están disponibles, se pueden solicitar a través del sitio Web www.GEAppliances.com o llamando al 800.GE.CARES.

Largas vacaciones: Asegúrese de cortar el agua de todas las llaves de paso. Vacíe todas las tuberías de agua si la temperatura va a encontrarse por debajo de cero grados.

Cómo limpiar la parte interior de la lavadora

Para limpiar la parte interna de la lavadora, seleccione la característica **Basket Clean** (limpieza de tambor) del panel de control. El ciclo usa más agua, además de lejía, para refrescar su lavadora.

NOTA: Lea las instrucciones por completo antes de comenzar el ciclo **Basket Clean**.

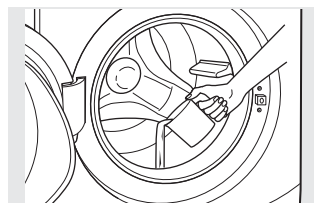
1. Quite las prendas u objetos de la lavadora y verifique que el tambor de la lavadora se encuentre vacío.
2. Abra la puerta de la lavadora y vierta en la canasta una taza o 250 ml de líquido blanqueador u otro limpiador para lavadoras.
3. Cierre la puerta por completo y vuelva a iniciar el ciclo **Basket Clean**. Presione el botón **Start (inicio)**.
4. Cuando el ciclo **Basket Clean** se encuentra en funcionamiento, podrá verse **CLn** en la pantalla. El ciclo se completará en alrededor de 90 minutos. No interrumpa el ciclo.
5. Después de finalizado el ciclo, deje la puerta un poco abierta para una mejor ventilación.

Si por alguna razón debe interrumpirse el ciclo, la puerta no se abrirá de inmediato. Tratar de abrir la puerta en esta etapa puede hacer que el agua se derrame. La puerta se abrirá después de que el agua haya drenado hasta un nivel en el que no inunde el piso.

Basket Clean puede interrumpirse presionando el botón **START/PAUSE (inicio/pausa)** entre ciclos. Un corte de energía en el hogar también puede interrumpir el ciclo. Cuando se reanuda el servicio eléctrico, el ciclo **Basket Clean** continúa desde el punto en el que se había detenido. Cuando se interrumpe, asegúrese de realizar un ciclo completo de **Basket Clean** antes de utilizar la lavadora. Si se presiona el botón **POWER (encendido)** durante **Basket Clean**, el ciclo se perderá.

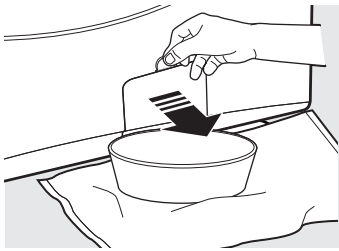
IMPORTANTE:

- Haga funcionar el ciclo **Basket Clean** con 1 taza (250 ml) de lejía una vez por mes.
- Después de finalizar un ciclo **Basket Clean**, la parte interior de su lavadora puede tener olor a lejía.
- Se recomienda lavar una carga de colores claros después del ciclo **Basket Clean**.



Cómo limpiar el filtro de la bomba

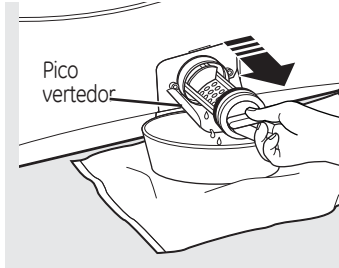
Debido a la naturaleza de la lavadora de carga frontal, es posible que a veces pasen partículas pequeñas a la bomba. La lavadora cuenta con un filtro para capturar los elementos perdidos para que no caigan en el drenaje. Para recuperar los elementos perdidos, limpie el filtro de la bomba.



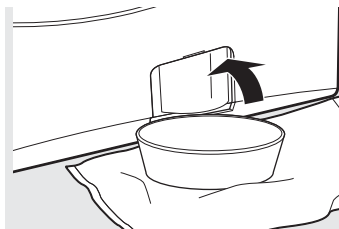
1. Con una moneda o destornillador plano en la ranura de la puerta, abra la puerta de acceso.
2. Coloque una bandeja o plato poco profundos bajo la puerta de acceso y toallas en el piso frente a la lavadora para proteger el piso. Es normal que salga alrededor de una taza de agua cuando se quita el filtro.



3. Baje el pico vertedor.



4. Gire el filtro de la bomba en sentido contrario a las agujas del reloj y quite el filtro. Abra lentamente para permitir que drene el agua.
5. Limpie los residuos del filtro.
6. Vuelva a colocar el filtro y gire en sentido de las agujas del reloj. Ajuste bien.

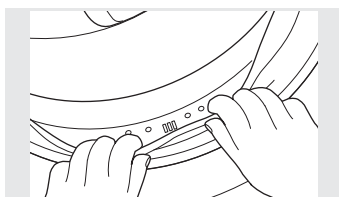
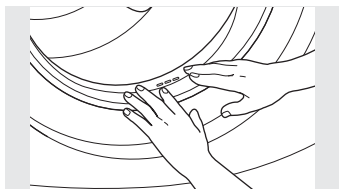


7. Eleve el pico vertedor.
8. Cierre la puerta de acceso.

Cómo limpiar la junta de la puerta

Abra la puerta de la lavadora. Usando ambas manos, presione la junta de la puerta hacia abajo. Quite los objetos extraños que encuentre atrapados dentro de la junta. Asegúrese de que no haya ningún objeto bloqueando los orificios ubicados detrás de la junta.

Mientras presiona la junta de la puerta hacia abajo, inspeccione la junta interior jalándola hacia abajo con los dedos. Quite los objetos extraños que encuentre atrapados dentro de esta junta. Asegúrese

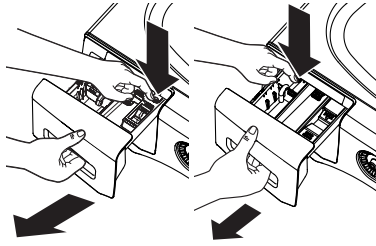


de que no haya ningún objeto bloqueando los orificios ubicados detrás de la junta.

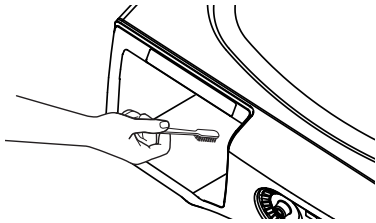
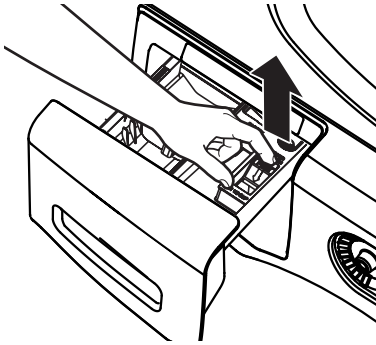
Cuando haya terminado de limpiar la junta de la puerta, quite las manos y la junta volverán a la posición de funcionamiento.

Limpieza de la lavadora.

Pestaña en trasera izquierda o derecha dependiendo del modelo



La lengüeta de bloqueo sólo es visible tras sacar el depósito



Zona del depósito de detergente: El detergente y el suavizante pueden acumularse en el depósito de detergente. Los residuos deben eliminarse una o dos veces al mes.

- Saque el depósito tirando de él hasta que se detenga. En la esquina trasera izquierda o derecha (dependiendo del modelo) de la cavidad del cajón, presione firmemente en la pestaña de bloqueo y tire a la vez del depósito.

- Extraiga las piezas de los compartimentos para lejía y suavizante, así como la pieza del detergente. Lave las piezas y el depósito con agua caliente para eliminar los restos de productos de limpieza acumulados.

- Para limpiar la abertura del depósito, utilice un cepillo pequeño a fin de limpiar los huecos. Retire todos los restos de las partes superior e inferior del hueco.
- Vuelva a colocar las piezas en los compartimentos correspondientes. Introduzca de nuevo el depósito de detergente.

Instrucciones de instalación

Lavadora

Si tiene alguna pregunta, llame a 800.GE.CARES (1.800.432.2737) o visite nuestro sitio Web en: GEAppliances.com

ANTES DE COMENZAR

Lea detenidamente todas las instrucciones.

- **IMPORTANTE** – Guarde estas instrucciones para uso del inspector local.
- **IMPORTANTE** – Cumpla todos los códigos y ordenanzas regulatorias.
- **Nota al instalador** – Asegúrese de dejar estas instrucciones al usuario.
- **Nota al usuario** – guarde estas instrucciones para consultas futuras.
- **Nivel de habilidad** – la instalación de este electrodoméstico requiere habilidades mecánicas y eléctricas básicas.
- **Duración** – de 1 a 3 horas
- La instalación adecuada es responsabilidad del instalador.
- La garantía no cubre fallas producidas por la instalación inadecuada del producto.

PARA SU SEGURIDAD:

⚠ ADVERTENCIA

- Este electrodoméstico se debe conectar a tierra e instalar correctamente tal y como se describe en estas Instrucciones de instalación.
- No instale ni guarde este electrodoméstico en una zona en la que esté expuesto al agua o al exterior. Consulte la sección Ubicación de la lavadora.
- **NOTA:** Este electrodoméstico debe estar correctamente conectado a tierra y la corriente eléctrica de la lavadora debe cumplir los códigos y ordenanzas locales, así como la última edición del Código eléctrico nacional, ANSI/NFPA 70.

HERRAMIENTAS NECESARIAS



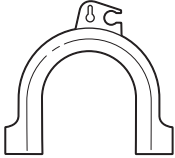
- Llave inglesa o toma de corriente con trinquete de 1/2"
- Llave inglesa o llave de boca de 9/16"
- Alicates ajustables Channel-lock
- Nivel de carpintero

PIEZAS NECESARIAS (Obtener a nivel local)

- Tuberías de agua (2)



PIEZAS INCLUIDAS

- Abrazadera de cable 
- Arandelas del filtro de la tubería de entrada (2) 
- Guía de tuberías 

KIT DE SOPORTE DE APILADO

Un kit de soporte de apilado se encuentra disponible a un costo adicional. Puede solicitarse en los Estados Unidos visitando nuestro sitio Web en GEAppliances.com o llamando a 800.GE.CARES. Solicite el kit #WE25X10018 o GEFLSTACK.

ACCESORIO OPCIONAL DEL PEDESTAL

Usted puede disponer de un pedestal por un costo adicional. En Estados Unidos, lo puede ordenar visitando nuestro sitio web en GEAppliances.com o llamando al 800.GE.Cares. Este producto sólo debe ser usado con el pedestal N° SBS137HXX y SBS1227FXX. Siga las Instrucciones de Instalación del pedestal.

Instrucciones de instalación

UBICACIÓN DE LA LAVADORA

No instale la lavadora:

1. En un área expuesta a goteras o a las condiciones del exterior. La temperatura ambiente no debe ser nunca inferior a 60°F (15,6°C) para que la lavadora funcione correctamente.
2. En una zona en la que pueda entrar en contacto con cortinas u otras telas.
3. Sobre una alfombra. El suelo **DEBE** ser una superficie dura con una inclinación máxima de 1/2" por pie (1,27 cm por cada 30 cm). Para asegurarse de que la lavadora no vibre ni se mueva, es posible que tenga que reforzar el suelo.

NOTA: Si el suelo se encuentra en mal estado, utilice una plancha con 3/4" de contrachapado bien fija al revestimiento existente en el suelo.

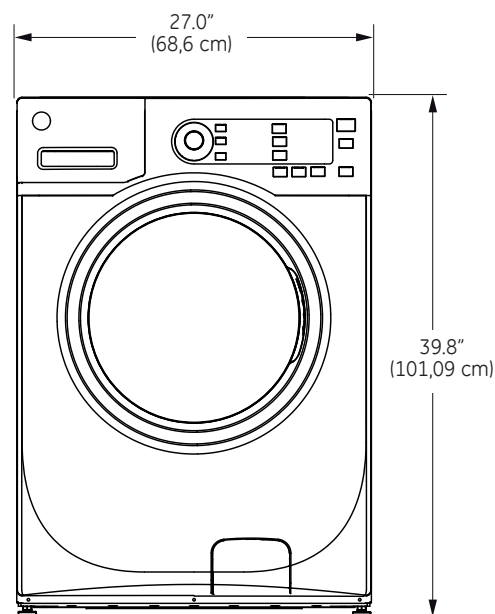
IMPORTANTE:

Distancias mínimas de separación para la instalación

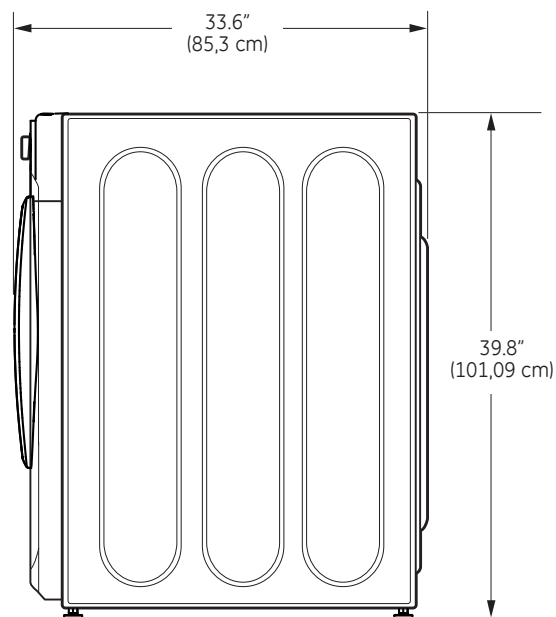
- Cuando se instale en alcoba: costados, parte trasera, parte superior = 0" (0 cm)
- Cuando se instale en un armario: costados, parte trasera, parte superior = 0" (0 cm), parte delantera = 1" (2,54 cm)
- Aberturas de ventilación necesarias en la puerta del armario:
2 listones, cada uno de 60 pulgadas cuadradas (387 cm²), situados a 3" (7,6 cm) de las partes superior e inferior de la puerta

DIMENSIONES APROXIMADAS

PARTE DELANTERA



COSTADO



*NOTA: Con plataforma, 52,6"
Apilada, 84"

Instrucciones de instalación

DESEMBALAJE DE LA LAVADORA

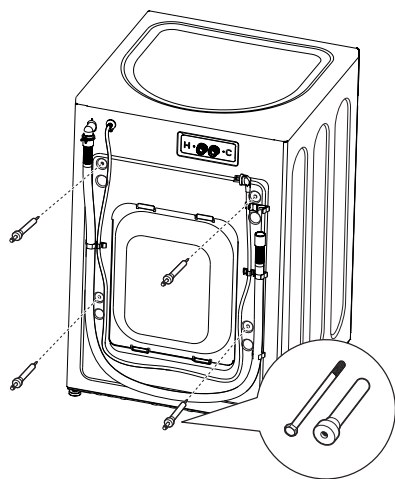
⚠️ ADVERTENCIA:

Recicle o deseche la caja de cartón y las bolsas de plástico una vez que haya desembalado la lavadora. Mantenga estos materiales fuera del alcance de los niños, pues éstos podrían utilizarlos para jugar. Las cajas de cartón cubiertas con mantas, colchas o láminas de plástico pueden convertirse en cámaras de aire herméticas y producir asfixia.

1. Corte y retire las bandas de embalaje superiores e inferiores.
2. Mientras se encuentre dentro de la caja, coloque con cuidado la lavadora sobre el costado de la misma. NO la tumbe por la parte delantera ni trasera.
3. Abra las tapas inferiores y retire todo el embalaje de la base, incluido el cartón, la base y el soporte de la cuba de espuma de poliestireno (insertado en el centro de la base).

NOTA: Si va a instalar una plataforma, continúe con las instrucciones de instalación correspondientes de la misma.

4. Vuelva a levantar la lavadora con cuidado y retire la caja de cartón.
5. Desplace poco a poco la lavadora hasta 4 pies (122 cm) de su ubicación definitiva.
6. Quite las siguientes piezas de la parte trasera de la lavadora:
 - 4 pernos
 - 4 separadores de plástico (incluidas las arandelas de goma)
 - 4 sujeciones del cable de alimentación



NOTA: Si se retiran incorrectamente los pernos de transporte, puede que la lavadora se vea gravemente desequilibrada.

Guarde todos los pernos para uso futuro.

NOTA: Si necesitara transportar la lavadora posteriormente, debe volver a colocar las piezas de sujeción para el transporte con el fin de evitar daños durante el mismo. Guarde dichas piezas en la bolsa de plástico que se incluye.

Si pierde los pernos de embalaje, existen reemplazos disponibles a un costo adicional. Pueden solicitarse en los Estados Unidos visitando nuestro sitio Web en GEAppliances.com o llamando a 800.GE.CARES. Solicite el kit #WH49X10039.

Instrucciones de instalación

REQUISITOS ELÉCTRICOS

Lea detenidamente todas las instrucciones.

⚠ ADVERTENCIA—

PARA MINIMIZAR EL RIESGO DE INCENDIO, DESCARGA ELÉCTRICA O LESIONES PERSONALES:

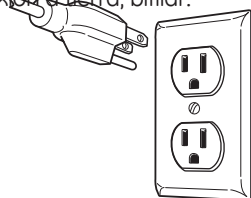
- **NO USE UN ENCHUFE ADAPTADOR O UN CABLE DE EXTENSIÓN CON ESTE ELECTRODOMÉSTICO.**

La lavadora debe ser conectado a tierra de acuerdo con todos los códigos y ordenanzas locales o, a falta de normativa local, con el Código eléctrico nacional (National Electrical Code) ANSI/NFPA NO. 70.

CIRCUITO – circuito derivado de 15 amperios individual, correctamente polarizado y conectado a tierra, con interruptor o fusible de retardo de 15 amperios.

ALIMENTACIÓN ELÉCTRICA – corriente alterna de 60 Hz, monofásica, de 120 voltios, con conexión a tierra, bifilar.

RECEPTÁCULO DE SALIDA – receptáculo correctamente conectado a tierra con 3 clavijas, situado de forma que se pueda acceder al cable de alimentación cuando la lavadora esté instalada.



REQUISITOS DE CONEXIÓN A TIERRA

⚠ ADVERTENCIA: La conexión incorrecta del conductor de tierra del equipo puede causar riesgos de descargas eléctricas. Consulte a un electricista calificado si tiene dudas acerca de la conexión a tierra correcta del electrodoméstico.

1. La lavadora **DEBE** estar conectada a tierra. En caso de un mal funcionamiento o avería, la conexión a tierra reducirá el riesgo de descargas eléctricas al proporcionar un recorrido de resistencia mínima a la corriente eléctrica.
2. Debido a que la lavadora está equipada con un cable de alimentación que tiene un conductor para conexión a tierra y una clavija de conexión a tierra, la clavija se **DEBE** enchufar en el receptáculo de hilo de cobre apropiado que se haya instalado y conectado a tierra correctamente de acuerdo con todos los códigos y ordenanzas locales o, a falta de normativa local, con el Código eléctrico nacional, ANSI/NFPA 70 (última edición). En caso de duda, llame a un electricista calificado. **NO** corte ni modifique la clavija de conexión a tierra del cable de alimentación. En situaciones en las que exista un receptáculo de dos ranuras, es responsabilidad del propietario que un electricista calificado lo sustituya por un receptáculo **apropiado de tipo de conexión a tierra** para tres clavijas.

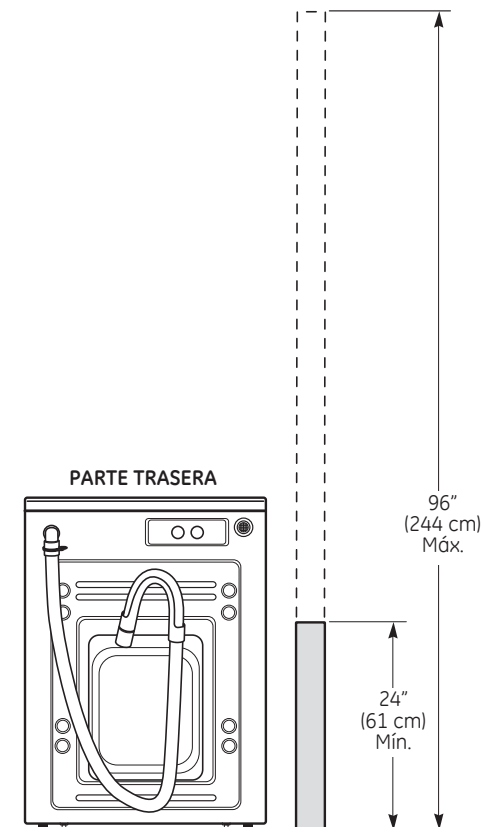
REQUISITOS DE SUMINISTRO DE AGUA

Las llaves de paso de agua caliente y fría **DEBEN** encontrarse a 42 pulgadas (107 cm) como máximo de la toma de agua de la lavadora. Las llaves de paso **DEBEN** ser de 3/4" (1.9 cm) y tipo jardín para que se puedan conectar las tuberías de entrada. La presión del agua **DEBE** estar entre 10 y 120 libras por pulgada cuadrada. La compañía de agua puede informarle de la presión del agua. La temperatura del agua caliente se debe establecer para suministrar agua a una temperatura de entre 120° y 140°F (48°– 60°C).

REQUISITOS DE DESAGÜE

1. Desagüe capaz de eliminar 17 galones (64,3 l) por minuto.
2. Diámetro mínimo de tubería vertical de 1 1/4" (3,18 cm).
3. La altura de la tubería vertical desde el suelo debe ser:

Altura mínima: 24" (61 cm)
Altura máxima: 96" (244 cm)



NOTA: La tubería de desagüe de la lavadora puede alcanzar la altura de una tubería vertical de 58" (147 cm). Para una tubería vertical más alta, póngase en contacto con un distribuidor de piezas autorizado.

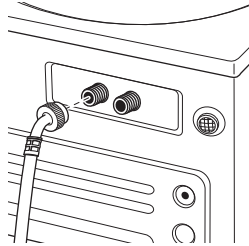
Instrucciones de instalación

INSTALACIÓN DE LA LAVADORA

1. Deje correr un poco de agua de los grifos de agua caliente y fría para purgar las tuberías de agua y eliminar las partículas que puedan obstruir las tuberías de entrada y los filtros de la válvula de agua.

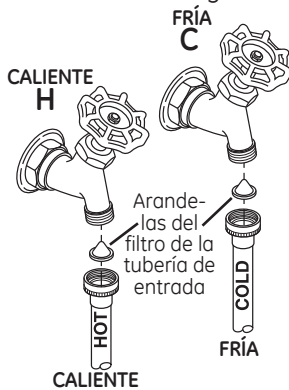
2. Obtener las tuberías de entrada a nivel local.

3. Verifique que haya una arandela de goma en el las tuberías. Vuelva a instalar la arandela de goma en el accesorio de la tubería si se ha caído durante el envío. Conecte con cuidado un tubería de entrada a la salida "H" exterior de la válvula de agua. Apriete con la mano

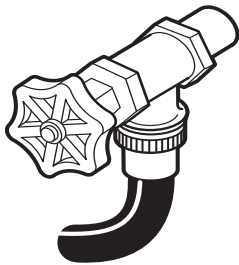


y, a continuación, apriete 2/3 de vuelta con los alicates. Conecte con cuidado la otra tubería de entrada a la salida "C" interior de la válvula de agua. Apriete con la mano y, a continuación, apriete 2/3 de vuelta con los alicates. **No pase las roscas ni apriete excesivamente estas conexiones.**

4. Instalar las arandelas del filtro introduciéndolas en los extremos libres de las tuberías de entrada con el lado que sobresale enfrentando el grifo.



5. Conecte los extremos de la tubería de entrada a las tomas de agua CALIENTE y FRÍA ajustándolos con la mano y, a continuación, apriete de nuevo 2/3 de vuelta con los alicates. Abra la llave de paso y compruebe que no hay ninguna fuga.



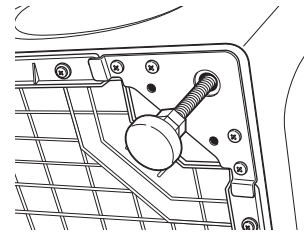
6. Desplace la lavadora con cuidado hasta su ubicación final. Mueva suavemente la lavadora para situarla en su lugar, asegurar las tuberías de entrada no se tuerza. Es importante no dañar las patas niveladoras de caucho al trasladar su lavadora a su ubicación final. Si las patas se dañan podría aumentar la vibración de la lavadora. Podría ser útil rociar el piso con limpiador para ventanas a fin de trasladar más fácilmente su lavadora a su ubicación final.

NOTA: Para reducir la vibración, asegúrese de que cada una de las cuatro patas niveladoras estén en contacto con el piso. Empuje y tire de la parte posterior derecha y luego de la parte posterior izquierda de su lavadora.

NOTA: No utilice el depósito de detergente ni la puerta para levantar la lavadora.

NOTA: Si se instala en un depósito de desagüe, puede utilizar una tabla 2x4 de 24 pulgadas de longitud para colocar la lavadora en su lugar haciendo palanca.

7. Una vez situada la lavadora en su posición final, coloque un nivel en la parte superior de la misma (si está instalada debajo de un contador, la lavadora no debería vibrar). Ajuste los soportes de nivelación delanteros hacia arriba o hacia abajo para asegurarse que la lavadora se apoya en una superficie sólida. Gire las contratuerzas de cada soporte hacia la base de la lavadora y apriételas con una llave.



NOTA: Mantenga la extensión de los soportes al mínimo para evitar una vibración excesiva. Cuanto más se extiendan los soportes, más vibrará la lavadora.

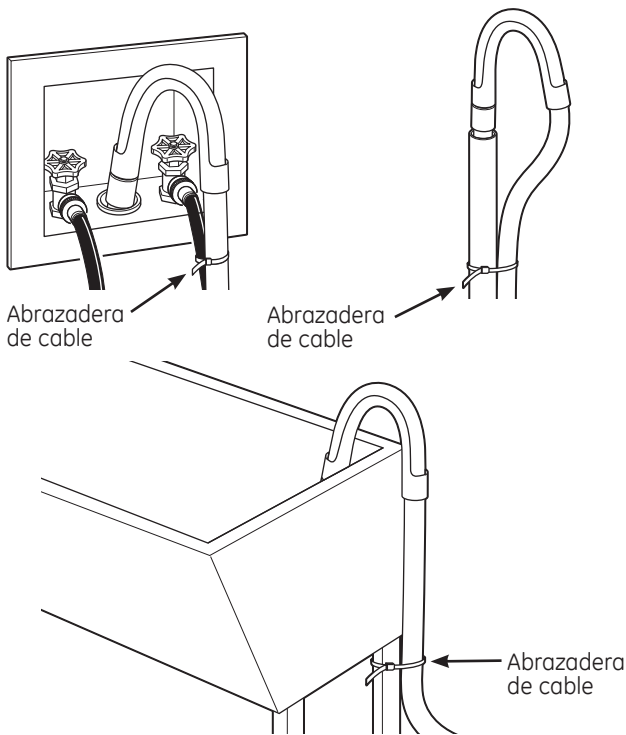
Si el suelo no está nivelado o está dañado, puede que sea necesario extender los soportes de nivelación traseros.

Instrucciones de instalación

INSTALACIÓN DE LA LAVADORA (cont.)

8. Coloque la guía de la tubería en forma de U en el extremo de la tubería de desagüe. Coloque la tubería en una pila de lavar o tubería vertical y sujétela con la abrazadera de cable que se proporciona en el paquete adjunto.

NOTA: Colocar la manguera de drenaje muy debajo de la tubería de drenaje puede provocar un efecto de sifón. No debe haber más de 7 pulgadas de manguera en la tubería de drenaje. Debe haber un espacio de aire alrededor de la manguera de drenaje. Si la manguera está muy ajustada, también puede provocarse un efecto de sifón.



9. Enchufe el cable de alimentación en una salida de conexión a tierra.

NOTA: Asegúrese de que la alimentación está cortada en un interruptor/caja de fusibles antes de enchufar el cable de alimentación a una toma de corriente.

10. Conecte la alimentación a un interruptor/caja de fusibles.
11. Lea el resto del Manual del propietario. Contiene información valiosa y útil que supondrá un ahorro de tiempo y dinero.
12. Antes de poner en funcionamiento la lavadora, asegúrese de comprobar lo siguiente:
- La alimentación está conectada.
 - La lavadora está enchufada.
 - Las llaves de paso están abiertas.
 - La lavadora está nivelada y que cada una de las cuatro patas niveladoras estén en contacto con el piso.
 - Las piezas de sujeción para el transporte se han quitado y guardado.
 - La tubería de desagüe se ha asegurado correctamente.
 - No existe ninguna fuga en la llave de paso, la tubería de desagüe ni la lavadora.
13. Ponga en funcionamiento la lavadora en un ciclo completo. Compruebe que no haya fugas de agua y que funcione correctamente.
14. Si la lavadora no funciona, revise la sección Antes de llamar al servicio de asistencia técnica antes de ponerse en contacto con el servicio de asistencia técnica.
15. Coloque las instrucciones en un lugar próximo a la lavadora para futuras consultas.

PIEZAS DE REPUESTO

Si se necesitan piezas de repuesto para la lavadora, se pueden solicitar en Estados Unidos a través del sitio Web GEAppliances.com o llamando a 800.GE.CARES.



Consejos para la solución de problemas
¡Ahorre tiempo y dinero! Consulte primero las tablas de las páginas siguientes y quizás no necesite llamar al servicio de asistencia técnica.

Problema	Causas posibles	Solución
No drena No gira No se agita	La carga se encuentra desbalanceada	<ul style="list-style-type: none"> • Redistribuya las prendas y realice un ciclo drain & spin (drenar y girar) o rinse & spin (enjuagar y girar). • Aumente el tamaño de la carga si va a lavar una carga pequeña compuesta de elementos pesados y livianos.
	Obstrucción de la bomba	<ul style="list-style-type: none"> • Para obtener información sobre la limpieza del Filtro de la Bomba, lea la página 13.
	La tubería de desagüe está torcida o no se ha conectado correctamente	<ul style="list-style-type: none"> • Enderece la tubería de desagüe y asegúrese de que la lavadora no está situada sobre la misma.
	Puede que la tubería de desagüe de la vivienda esté obstruida	<ul style="list-style-type: none"> • Compruebe las tuberías de la vivienda. Puede que sea necesario llamar a un plomero.
	La manguera de drenaje está un sifón; la manguera de drenaje fue introducida de manera demasiado profunda en el drenaje	<ul style="list-style-type: none"> • Asegúrese de que haya un espacio de aire entre la manguera y el drenaje.
Fugas de agua	La junta de la puerta está dañada	<ul style="list-style-type: none"> • Revise que la junta esté colocada en su sitio y que no se haya roto. Los objetos dejados en los bolsillos podrían causar daños a la lavadora (clavos, tornillos, lápices, bolígrafos).
	La junta de la puerta no está dañada	<ul style="list-style-type: none"> • El agua podría gotear de la puerta cuando la misma está abierta. Esto forma parte del funcionamiento normal. • Con cuidado limpie el burlete de la puerta. A veces, en el mismo queda suciedad o ropa que pueden provocar un pequeño goteo.
	Revise la parte posterior izquierda de la lavadora para verificar si hay presencia de agua	<ul style="list-style-type: none"> • Si esta área se encuentra mojada, existe una condición de espuma excesiva. Utilice menos cantidad de detergente.
	Las tuberías de toma de agua o la tubería de desagüe no se han conectado correctamente	<ul style="list-style-type: none"> • Asegúrese de que se han apretado correctamente las conexiones de las tuberías de la lavadora y las llaves de paso y que el extremo de la tubería de desagüe se ha introducido y fijado correctamente al desagüe.
	Puede que la tubería de desagüe de la vivienda esté obstruida	<ul style="list-style-type: none"> • Compruebe las tuberías de la vivienda. Puede que sea necesario llamar a un plomero.
	Dispensador tapado	<ul style="list-style-type: none"> • El jabón en polvo puede provocar atascos dentro del dispensador y hacer que salga agua desde el frente del cajón y limpie tanto el interior del cajón como de la caja de suministro. Lea el capítulo de Limpieza de la Lavadora (Cleaning Washer).
	Uso incorrecto del detergente	<ul style="list-style-type: none"> • Utilice detergente de alta eficacia y la cantidad correcta de detergente.
	Fisura en el dispositivo de suministro de jabón	<ul style="list-style-type: none"> • Si se trata de una instalación nueva, controle que no haya fisuras dentro de la caja del dispositivo de suministro.

Instrucciones de seguridad

Instrucciones de funcionamiento

Instrucciones de instalación

Consejos para la solución de problemas

Servicio al consumidor

Antes de llamar al servicio de asistencia técnica...

Problema	Causa posible	Solución
<i>Las prendas están demasiado mojadas</i>	<i>La carga se encuentra desbalanceada</i>	<ul style="list-style-type: none"> • Redistribuya las prendas y realice un ciclo drain & spin (drenar y girar) o rinse & spin (enjuagar y girar). • Aumente el tamaño de la carga si va a lavar una carga pequeña compuesta de elementos pesados y livianos. • La máquina reducirá la velocidad de giro a 410 rpm, si se presentan problemas para equilibrar la carga. Esta velocidad es normal.
	<i>Obstrucción de la bomba</i>	<ul style="list-style-type: none"> • Para obtener información sobre la limpieza del Filtro de la Bomba, lea la página 13.
	<i>Sobrecarga</i>	<ul style="list-style-type: none"> • El peso seco de la carga debe ser inferior a las 16 lbs.
	<i>La tubería de desagüe está torcida o no se ha conectado correctamente</i>	<ul style="list-style-type: none"> • Enderece la tubería de desagüe y asegúrese de que la lavadora no está situada sobre la misma.
	<i>Puede que la tubería de desagüe de la vivienda esté obstruida</i>	<ul style="list-style-type: none"> • Compruebe las tuberías de la vivienda. Puede que sea necesario llamar a un plomero.
<i>Ciclo o temporizador incompleto</i>	<i>La manguera de drenaje está un sifón; la manguera de drenaje fue introducida de manera demasiado profunda en el drenaje</i>	<ul style="list-style-type: none"> • Asegúrese de que haya un espacio de aire entre la manguera y el drenaje.
	<i>Redistribución automática de carga</i>	<ul style="list-style-type: none"> • El temporizador agrega 3 minutos al ciclo, la máquina ha distribuido la carga once o quince veces. Esto forma parte del funcionamiento normal. No debe hacer nada; la máquina terminará el ciclo de lavado.
	<i>Obstrucción de la bomba</i>	<ul style="list-style-type: none"> • Para obtener información sobre la limpieza del Filtro de la Bomba, lea la página 13.
	<i>La tubería de desagüe está torcida o no se ha conectado correctamente</i>	<ul style="list-style-type: none"> • Enderece la tubería de desagüe y asegúrese de que la lavadora no está situada sobre la misma.
	<i>Puede que la tubería de desagüe de la vivienda esté obstruida</i>	<ul style="list-style-type: none"> • Compruebe las tuberías de la vivienda. Puede que sea necesario llamar a un plomero.
<i>Ruido fuerte o poco común; vibración o sacudidas</i>	<i>La lavadora se mueve</i>	<ul style="list-style-type: none"> • La lavadora está diseñada para desplazarse 1/4" para reducir las fuerzas transmitidas al piso. Este movimiento es normal.
	<i>Las patas de nivelación no se encuentran en contacto firme con el piso</i>	<ul style="list-style-type: none"> • Empuje y tire de la parte posterior derecha y luego posterior izquierda de su lavadora para asegurarse de que se encuentre nivelada. Si la lavadora no está nivelada, ajuste las patas niveladoras de caucho de modo que cada una quede en contacto firme con el piso y trabadas en su lugar. Su técnico instalador debería corregir este problema.
	<i>Carga desbalanceada</i>	<ul style="list-style-type: none"> • Abra la puerta y redistribuya la carga manualmente. Para revisar la máquina, ejecute el ciclo de enjuague y giro sin carga. Si esto es normal, la causa del desbalance fue la carga.
	<i>Obstrucción de la bomba</i>	<ul style="list-style-type: none"> • Para obtener información sobre la limpieza del Filtro de la Bomba, lea la página 13.

Instrucciones de seguridad

Instrucciones de funcionamiento

Instrucciones de instalación

Consejos para la solución de problemas

Servicio al consumidor

Problema	Causa posible	Solución
No hay suministro eléctrico/la lavadora no está en funcionamiento	La lavadora está desconectada	• Asegúrese de que el cable esté enchufado de manera segura en un enchufe funcional.
	El suministro de agua está cerrado	• Abra por completo las llaves de paso de agua fría y caliente.
	El interruptor/fusible se ha quemado/saltado	• Compruebe los interruptores/fusibles de la vivienda. Cambie los fusibles o restablezca el interruptor. La lavadora debe tener una toma individual.
	Revisiones automáticas del sistema	• La primera vez que se enchufa la lavadora, se efectúan las verificaciones automáticas. Podrían pasar hasta 20 segundos antes de que pueda utilizar su lavadora. Esto forma parte del funcionamiento normal.
Enganchones, agujeros, rotos, rasgaduras o deterioro excesivo	Sobrecargado	• No supere los tamaños máximos recomendados de carga. Ver los tamaños máximos recomendados de carga en la página 11.
	Lápices, bolígrafos, clavos, tornillos u otros objetos dejados en los bolsillos	• Retire todos los elementos sueltos de los bolsillos.
	Alfileres, broches, corchetes, botones en punta, hebillas de cinturones, cremalleras y objetos puntiagudos olvidados en los bolsillos	• Abroche los corchetes, broches, botones y cremalleras.
Error o cambios en el control de tiempo	Esto es normal	• Durante el giro, es posible que en ocasiones se necesite volver a equilibrar la carga de la lavadora a fin de reducir vibraciones. Cuando esto sucede, se produce como consecuencia una prolongación en el tiempo estimado de lavado.
Cantidad de agua insuficiente	Esto es normal	• Las lavadoras horizontales no requieren que el tubo se llene de agua, como sí ocurre con las lavadoras con carga superior.
La lavadora se detiene o se debe reiniciar o la puerta de la lavadora lavadora está bloqueada y no se abre	Obstrucción de la bomba	• Para obtener información sobre la limpieza del Filtro de la Bomba, lea la página 13.
La puerta no se destraba o presiona START (inicio) y la máquina no funciona	Esto es normal	• Las lavadoras con tapa frontal comienzan su funcionamiento de manera diferente que las lavadoras con carga superior, y toma 30 segundos realizar un control del sistema. La puerta se bloqueará y desbloqueará.
	Funcionamiento incorrecto	• Simplemente abra y cierre la puerta firmemente y luego presione iniciar.
El agua no entra en la lavadora o entra lentamente	Revisiones automáticas del sistema	• Después de pulsar START (inicio), la lavadora realiza varias revisiones del sistema. El agua fluirá durante 60 segundos luego de que se presione el botón de START (inicio).
	El suministro de agua está cerrado	• Abra por completo las llaves de paso de agua fría y caliente.
	Los filtros de la válvula de agua están obstruidos	• Cierre la llave de paso y quite las tuberías de entrada de los grifos de agua. Utilice un cepillo o un palillo de dientes para limpiar los filtros de arandelas de la tubería. Vuelva a conectar las tuberías y abra la llave de paso.
	Arandelas del filtro de entrada de agua están obstruidos	• Cierre la llave de paso y quite las tuberías de conexión de agua de la parte trasera superior de la lavadora. Utilice un cepillo o un palillo de dientes para limpiar los filtros de la lavadora. Vuelva a conectar las tuberías y abra la llave de paso.
Arrugas	Separación incorrecta	• Evite mezclar prendas pesadas (como prendas de trabajo) con prendas delicadas (como blusas).
	Sobrecarga	• Cargue la lavadora de manera que haya suficiente espacio para que las prendas se muevan libremente.
	Ciclo de lavado incorrecto	• Combine la selección de ciclo con el tipo de tejido que va a lavar (especialmente para cargas de prendas de fácil cuidado).
	Lavado constante en agua demasiado caliente	• Lave las prendas en agua tibia o fría.

Instrucciones de seguridad

Instrucciones de funcionamiento

Instrucciones de instalación

Consejos para la solución de problemas

Servicio al consumidor

Antes de llamar al servicio de asistencia técnica...

Problema	Causa posible	Solución
Prendas oscurecidas o amarillentas	No hay suficiente detergente	<ul style="list-style-type: none"> Utilice la cantidad adecuada de detergente.
	No se utiliza detergente de alta eficacia	<ul style="list-style-type: none"> Utilice detergente de alta eficacia.
	Agua dura	<ul style="list-style-type: none"> Utilice agua lo más caliente posible para no dañar los tejidos. Utilice un acondicionador de agua como, por ejemplo, el de la marca Calgon o instale un ablandador de agua.
	El agua no está suficientemente caliente	<ul style="list-style-type: none"> Asegúrese de que el calentador suministre agua a 120°-140°F (48°-60°C).
	El detergente no se disuelve	<ul style="list-style-type: none"> Pruebe un detergente líquido.
Tinte	<ul style="list-style-type: none"> Separe las prendas por colores. Si en la etiqueta de la prenda se indica Lavar por separado, puede ser indicio de tintes con poca fijación. 	
Manchas de color	Uso incorrecto del suavizante	<ul style="list-style-type: none"> Consulte el bote de suavizante para ver las instrucciones y siga las indicaciones de uso del distribuidor.
	Tinte	<ul style="list-style-type: none"> Separe las prendas blancas o de color claro de las prendas oscuras. Saque inmediatamente la carga de la lavadora.
La temperatura del agua no está correcta	El suministro de agua no está conectado correctamente	<ul style="list-style-type: none"> Asegúrese de que las tuberías están conectadas a las tomas correctas.
	El calentador de agua de la vivienda no se ha ajustado correctamente	<ul style="list-style-type: none"> Asegúrese de que el calentador de agua de la vivienda suministre agua a 120°-140°F (48°-60°C).
Pequeña variación del color metálico	Esto es normal	<ul style="list-style-type: none"> Debido a las propiedades metálicas de la pintura utilizada con este producto único, pueden ocurrir pequeñas variaciones de color debido ángulos de visualización y condiciones de iluminación.
Mal olor dentro de la lavadora	La lavadora no se usó durante un período prolongado, no se utiliza una calidad recomendada de detergentes HE (alta eficiencia) o se está usando demasiado detergente	<ul style="list-style-type: none"> Haga funcionar un ciclo Basket Clean. En caso de un fuerte olor, puede necesitarse el funcionamiento del ciclo Basket Clean más de una vez. Use sólo la cantidad de detergente recomendada en el recipiente del detergente. Use sólo detergente HE (alta eficiencia). Siempre quite rápidamente los elementos húmedos de la lavadora cuando la máquina deja de funcionar. Deje la puerta un poco abierta para que el agua se seque. Se requiere una supervisión estricta cuando este aparato es utilizado por niños o en su cercanía. No permita que los niños jueguen sobre, con o dentro de este o cualquier otro aparato.
Goteo de detergente	Inserción incorrecta de detergente	<ul style="list-style-type: none"> Asegúrese de que el detergente insertado esté adecuadamente colocado y totalmente seguro. La cantidad de detergente nunca debe superar la línea máxima.
Suministro inadecuado de suavizante o blanqueador	Obstrucción del dispositivo de suministro	<ul style="list-style-type: none"> El dispositivo de suministro se debe limpiar en forma mensual a fin de eliminar la acumulación de químicos.
	Se colocó suavizante o blanqueador por sobre la línea de carga máxima	<ul style="list-style-type: none"> Asegúrese de que la cantidad de suavizante o blanqueador sea correcta.
	Problema con la tapa del suavizante o blanqueador	<ul style="list-style-type: none"> Asegúrese que la tapa del suavizante y del blanqueador para el dispositivo de suministro estén ajustadas o no funcionarán.

Garantía de la lavadora GE.



Todos los servicios de garantía se ofrecen a través de nuestros centros de asistencia técnica o un técnico autorizado de Customer Care®. Para programar servicio de asistencia técnica, visite en línea la página GEAppliances.com o llame al 800.GE.CARES (800.432.2737). Cuando llame para solicitar servicio, por favor tenga a mano el número de serie y el número de modelo.

Engrape el recibo aquí.
Se necesita el comprobante con la fecha de compra original para que la garantía cubra los servicios.

Período:	Se sustituirá:
Un año A partir de la fecha de adquisición original	Cualquier pieza de la lavadora que falle debido a un defecto en los materiales o la fabricación. Durante este garantía limitada de un año , GE correrá además, sin cargo alguno, con todos los gastos de mano de obra y reparación relacionados para sustituir la pieza defectuosa.

Exclusiones de la garantía (en Estados Unidos):

- Visitas de servicio a domicilio para mostrarle cómo utilizar el producto.
- Instalación, envío o mantenimiento incorrectos.
- Fallas del producto por manipulación, uso incorrecto o distinto al destinado o previsto comercialmente.
- Daños tras la entrega.
- Sustitución de los fusibles de la vivienda o restablecimiento de los interruptores.
- Daños causados por accidentes, incendios, inundaciones o fenómenos naturales.
- Daños emergentes o fortuitos causados por posibles defectos del electrodoméstico.
- Producto no accesible para facilitar el servicio requerido.

EXCLUSIÓN DE GARANTÍAS IMPLÍCITAS—Su único y exclusivo derecho es la reparación del producto, tal y como se indica en esta Garantía limitada. Cualquier garantía implícita, incluyendo las garantías implícitas de comerciabilidad o adecuación para un fin determinado, están limitadas a un año o el período de tiempo más breve permitido por la ley.

Esta garantía se extiende al comprador original y cualquier comprador posterior de productos comprados para uso residencial dentro des Estados Unidos. Si el producto está situado en un área que no dispone de servicio por parte de un proveedor de servicio autorizado de GE, podría tener que hacerse cargo de los costes de envío o bien podría solicitársele que lleve el producto a una centro de servicio de GE autorizado para realizar la reparación. En Alaska, la garantía excluye el costo de envío o las visitas de servicio a su casa.

Algunos estados no permiten la exclusión o las limitaciones de daños incidentales o consecuenciales. Esta garantía da derechos legales específicos, y usted podría tener otros derechos que variarán de estado a estado. Para saber cuáles son sus derechos legales, consulte a la oficina de asuntos del consumidor local o la oficina del Procurador (Attorney General) en su localidad.

Garante: General Electric Company. Louisville, KY 40225

Instrucciones de seguridad

Instrucciones de funcionamiento

Instrucciones de instalación

Consejos para la solución de problemas

Servicio al consumidor

Notas.

Notas.

Servicio al consumidor.



Página Web de GE Appliances

GEAppliances.com

¿Tiene alguna pregunta sobre su electrodoméstico? ¡Pruebe la página Web de GE Appliances, 24 horas al día, cualquier día del año! Para mayor conveniencia y servicio más rápido, ya puede descargar los Manuales de los Propietarios, pedir piezas o incluso hacer una cita en línea para que vengan a realizar una reparación.



Solicite una reparación

GEAppliances.com

El servicio de expertos GE está a tan sólo un paso de su puerta. ¡Entre en línea y solicite su reparación cuando le venga cualquier día del año! O llame al 800.GE.CARES (800.432.2737) durante horas normales de oficina.



Real Life Design Studio (Estudio de diseño para la vida real)

GEAppliances.com

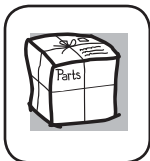
GE apoya el concepto de Diseño Universal—productos, servicios y ambientes que pueden usar gente de todas las edades, tamaños y capacidades. Reconocemos la necesidad de diseñar para una gran gama de habilidades y dificultades físicas y mentales. Para más detalles sobre las aplicaciones de GE Diseño Universal, incluyendo ideas de diseño para la cocina para personas con discapacidades, mire nuestra página Web hoy mismo. Para personas con dificultades auditivas, favor de llamar al 800.TDD.GEAC (800.833.4322).



Garantías ampliadas

GEAppliances.com

Compre una garantía ampliada y obtenga detalles sobre descuentos especiales disponibles mientras su garantía está aún activa. Puede comprarla en línea en cualquier momento, o llamar al (800.626.2224) durante horas normales de oficina. GE Consumer Home Services estará aún ahí cuando su garantía termine.



Piezas y accesorios

GEAppliances.com

Aquellos individuos con la calificación necesaria para reparar sus propios electrodomésticos pueden pedir que se les manden las piezas o accesorios directamente a sus hogares (aceptamos las tarjetas VISA, MasterCard y Discover). Haga su pedido en línea hoy, 24 horas cada día o llamar por teléfono al 800.626.2002 durante horas normales de oficina.

Las instrucciones descritas en este manual cubren los procedimientos a seguir por cualquier usuario. Cualquier otra reparación debería, por regla general, referirse a personal calificado autorizado. Debe ejercerse precaución ya que las reparaciones incorrectas pueden causar condiciones de funcionamiento inseguras.



Póngase en contacto con nosotros

GEAppliances.com

Si no está satisfecho con el servicio que recibe de GE, póngase en contacto con nosotros en nuestra página Web indicando todos los detalles así como su número de teléfono o escríbanos a:

General Manager, Customer Relations
GE Appliances, Appliance Park
Louisville, KY 40225



Registre su electrodoméstico

GEAppliances.com

¡Registre su nuevo electrodoméstico en línea—cuando usted prefiera! El registrar su producto a tiempo le proporcionará, si surgiera la necesidad, una mejor comunicación y un servicio más rápido bajo los términos de su garantía. También puede enviar su tarjeta de registro pre-impresa que se incluye en el material de embalaje o recorte y use el formulario de este Manual del Propietario.