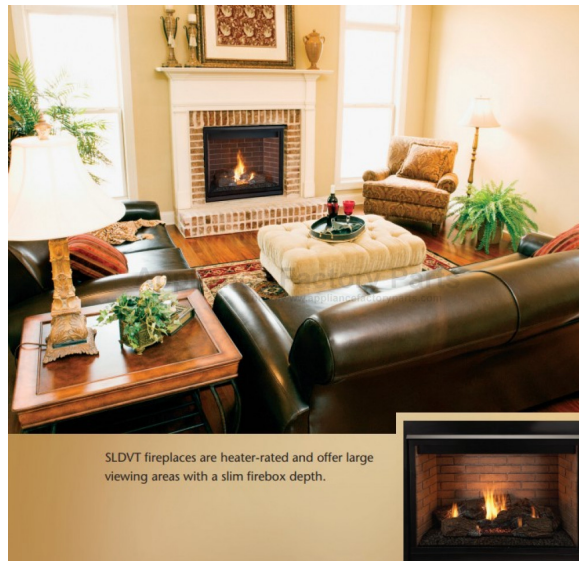


This Owner's Manual is provided and hosted by [Appliance Factory Parts](#).



LENNOX SLDVT-35NM Owner's Manual

[Shop genuine replacement parts for LENNOX
SLDVT-35NM](#)



SLDVT fireplaces are heater-rated and offer large viewing areas with a slim firebox depth.

[Find Your LENNOX Fireplace Parts - Select From 9 Models](#)

----- Manual continues below -----

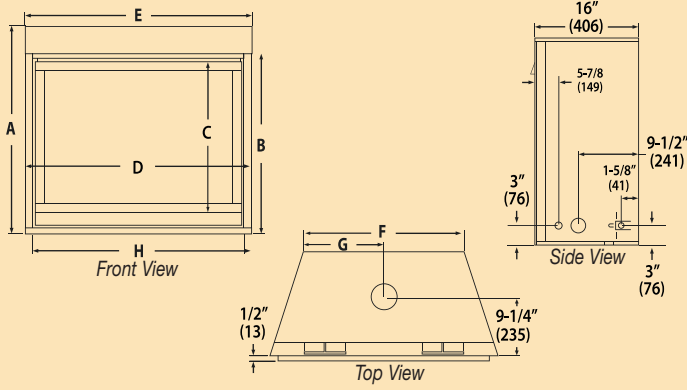


SLDVT fireplaces are heater-rated and offer large viewing areas with a slim firebox depth.



45" model shown with Traditional Buff refractory liner





DIMENSIONS Inches (millimeters)

	SLDVT-30	SLDVT-35	SLDVT-40	SLDVT-45
A	32-1/4" (819)	32-1/4" (819)	37-1/4" (946)	37-1/4" (946)
B	28-1/8" (714)	28-1/8" (714)	33-1/8" (841)	33-1/8" (841)
C	23-1/4" (590)	23-1/4" (590)	28-1/4" (718)	28-1/4" (718)
D	27" (686)	32" (813)	37" (940)	42" (1067)
E	30-1/4" (768)	35-1/4" (895)	40-1/4" (1022)	45-1/4" (1149)
F	20" (508)	25" (635)	30" (762)	35" (889)
G	10" (254)	12-1/2" (317)	15" (381)	17-1/2" (445)
H	28" (711)	33" (838)	38" (965)	43" (1092)

FRAMING DIMENSIONS Inches (millimeters)

	WIDTH	HEIGHT	DEPTH
SLDVT-30	30-1/4" (768)	35-1/4" (895)	16" (406)
SLDVT-35	35-1/4" (895)	35-1/4" (895)	16" (406)
SLDVT-40	40-1/4" (1022)	40-1/4" (1022)	16" (406)
SLDVT-45	45-1/4" (1149)	40-1/4" (1022)	16" (406)

BTU/HR CHART

	NATURAL (HIGH-LOW)	PROPANE (HIGH-LOW)
SLDVT-30NM	13,500-10,000	SLDVT-30PM 11,500-9,000
SLDVT-35NM	16,000-12,750	SLDVT-35PM 15,000-11,400
SLDVT-40NM	20,000-15,500	SLDVT-40PM 18,000-14,000
SLDVT-45NM	23,000-17,500	SLDVT-45PM 22,000-17,000

FIREPLACE EFFICIENCY %

		SLDVT-30	SLDVT-35	SLDVT-40	SLDVT-45
EnerGuide**	NG	51	61	61	59
	LP	54	59	61	61
A.F.U.E.	NG	57	59	62	64
	LP	58	61	64	66

**Intermittent ignition systems

On cover: SLDVT-35 shown with Traditional Red refractory liner.

STANDARD FEATURES

- Dramatic louverless design
- Flex connector with shut off and connecting pipe nipple
- Wiring for optional wall switch
- Millivolt (standing pilot) or electronic ignition with battery back-up
- Rugged oak-style logs, burning embers and lava rock
- Variable hi/lo valve (millivolt models only)
- Sealed tempered glass panel
- Controls hidden in low profile access compartment provide easy access.

Top vent only models using Security Chimneys™ 4.5"-7.5" Secure-Vent™ and Secure-flex™ vent systems with up to 60' vertical and 20' horizontal allowed

20-year limited warranty

OPTIONAL FEATURES

- Fixed screen panel kits*
- Style View™ Doors, Arched and Square Pane, in Black and Satin Pewter finishes
- Ceramic fiber refractory liners - Traditional Buff and Traditional Red
- Wireless remotes including thermostatically controlled versions
- Forced-air blower kits



35" model shown with Arched pane Satin Pewter Style View™ doors.



45" model shown with Square pane Black Style View™ Doors and Traditional Buff refractory liner.



35" model shown with Screen panel kit.

* Screen panel kit provides a barrier to prevent direct contact with hot glass surface.

IMPORTANT NOTES:

As with any heating appliance, fireplace or stove, this appliance is extremely hot during operation. Read and understand all operating instructions before using this appliance. For further information, consult your dealer.

Local conditions, such as elevation, wind, vent configuration and choice of fuel will affect overall appearance of the fire and heating performance. Performance can also vary with home design and insulation, climate, condition and type of fuel used, appliance location, burn rate, accessories chosen, chimney installation and how the appliance is operated.

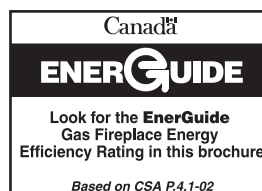
Diagrams, illustrations and photographs are not to scale - consult installation instructions. Product designs, materials, dimensions, specifications, colors and prices are subject to change or discontinuance without notice.

Built to ANSI Z21.88 and CSA 2.33 standards. Consult your distributor for local fireplace code information.



©Lennox Industries Inc. 2010
Visit us at www.Lennox.com, or contact us at 1-800-9-LENNOX.

785259M 11/10



100% recycled