

This Owner's Manual is provided and hosted by [Appliance Factory Parts](#).



Wolf OG54 Owner's Manual

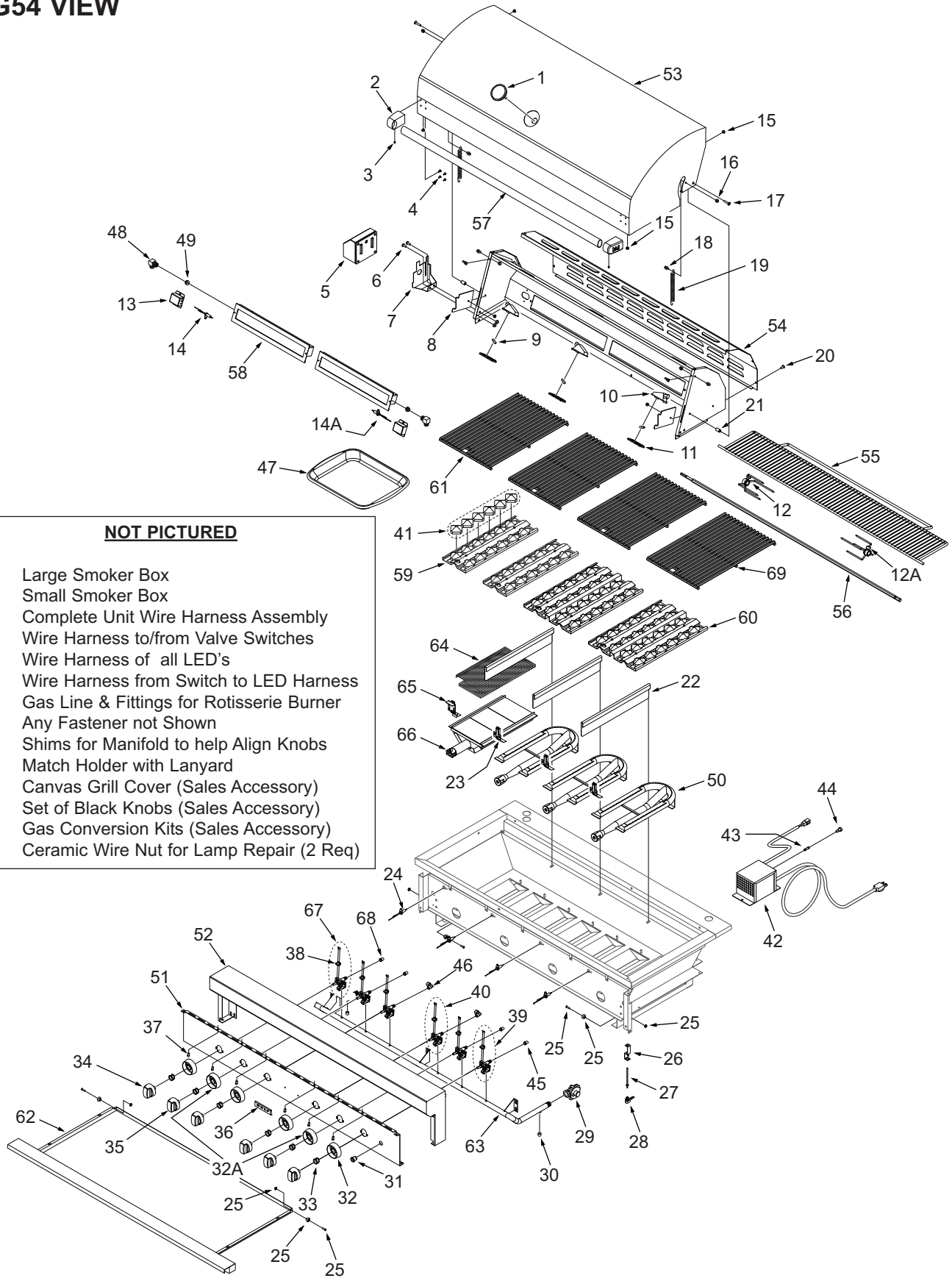
[Shop genuine replacement parts for Wolf OG54](#)



[Find Your Wolf Grill Parts - Select From 64 Models](#)

----- Manual continues below -----

OG54 VIEW



NOT PICTURED

- 70 Large Smoker Box
- 71 Small Smoker Box
- 72 Complete Unit Wire Harness Assembly
- 73 Wire Harness to/from Valve Switches
- 74 Wire Harness of all LED's
- 75 Wire Harness from Switch to LED Harness
- 76 Gas Line & Fittings for Rotisserie Burner
- 77 Any Fastener not Shown
- 78 Shims for Manifold to help Align Knobs
- 79 Match Holder with Lanyard
- 80 Canvas Grill Cover (Sales Accessory)
- 81 Set of Black Knobs (Sales Accessory)
- 82 Gas Conversion Kits (Sales Accessory)
- 83 Ceramic Wire Nut for Lamp Repair (2 Req)

OG54 Parts

Position	Item	Description
1	814622	THERMOMETER WITH NUT, SVCE
2	815185	ENDCAP, HANDLE - RIGHT, SVCE
	815186	ENDCAP, HANDLE - LEFT, SVCE
3	809764	8-32 X .313 SKT SET SCREW
4	814726	FASTENER KIT - SVCE
5	816426	MOTOR, ROTISSERIE - BBQ, SVCE
6	814726	FASTENER KIT - SVCE
7	814604	BRKT, MOTOR - ROTISERIE, SVCE
8	814620	SDL, PAIR-ROTISSERIE ROD, SVCE
9	814584	LAMP, 10W - SVCE
10	829290	LAMP ASSEMBLY,10W
11	814586	LENS, LAMP - SVCE
12	814606	MEAT HOLDER, PAIR - SVCE
12A	730247	SCREW,1/4-20X3/4 THUMB ZC PL
13	815184	BRKT, ROTISSERIE IGTR - SVCE
	818166	BRKT RT,ROTISSERIE IGTR-SVCE
14	818165	IGNITER, HOT SURFACE 40W- SVCE
14A	828221	IGNITER,ROTISSERIE,RH,SVCE
15	814624	BUMPER, 4 COUNT - SVCE
16	814726	FASTENER KIT - SVCE
17	815183	HOOD SPACER-SCREW, NUT, SVCE
18	814726	FASTENER KIT - SVCE
19	814724	HOOD HARDWARE KIT - SVCE
20	814726	FASTENER KIT - SVCE
21	815183	HOOD SPACER-SCREW, NUT, SVCE
22	814530	ZONE DIVIDER - SVCE
23	814532	FLASH TUBE, BURNER - SVCE
24	814542	IGNITER, HOT SURFACE - SVCE
25	814632	ROLLER, PAIR - SVCE
26	814548	BRACKET, HOOD SWITCH - SVCE
27	814546	ROD, HOOD SWITCH - SVCE
28	814544	SWITCH, HOOD - SVCE
29	814662	REGULATOR AND HOSE - LP, SVCE
	816942	REGULATOR - SVCE
30	814658	PLUG, MANIFOLD - SVCE
31	817059	SWITCH, POWER WITH LED - SVCE
32	817058	BEZEL, PLATINUM, COATED - SVCE
32A	818177	BEZEL, PT CTD ROTISSERIE-SVCE
33	815573	KNOB INSERT, NYLINER - SVCE
34	825150	KNOB, MATTE RED - BURNER, SVCE
35	825149	KNOB, RED - ROTISSERIE, SVCE
36	816623	WOLF LOGO SMALL -SVCE
37	814696	HARNESS, LED - LEFT, SVCE
	814698	HARNESS, LED - MIDDLE, SVCE
38	814664	MICROSWITCH, VALVE - SVCE
39	814656	VALVE ASSY, BURNER - LP, SVCE
	818174	VALVE ASSY, BURNER 54 - SVCE
40	814656	VALVE ASSY, BURNER - LP, SVCE
	818174	VALVE ASSY, BURNER 54 - SVCE
41	814550	BRIQUETTE, 6 CT - SVCE
	829243	BRIQUETTE,SINGLE,SVCE
42	814722	TRANSFORMER ASSY - SVCE
43	819379	FUSE, 15A 250V - SVCE

Position	Item	Description
44	817060	FUSE HOLDER, SVCE
45	815190	ORIFICE, BURNER - SVCE
	815191	ORIFICE, BURNER - LP, SVCE
46	814728	ROTISERIE GAS LINE KIT - SVCE
47	814716	BASTING PAN - SVCE
48	814580	ELB, ROTISERIE ORIFICE - SVCE
49	814572	ORF, 50 ROTISERIE SM - SVCE
	814574	ORF, 57 ROTISERIE SM-LP, SVCE
50	814560	BURNER, U-STYLE - 6, SVCE
51	818176	PANEL, FRONT ASSY, 54 - SVCE
52	818175	LEDGE, LANDING 54 - SVCE
53	818168	HOOD, FRONT ASSY 54 - SVCE
54	819381	HOOD, REAR SHELL - 54, SVCE
55	818179	SHELF, WARMING, 54 - SVCE
56	818167	ROD, SPIT 54 - SVCE
57	818169	HANDLE, HOOD 54 - SVCE
58	814568	BNR, IR ROTISERIE SMALL - SVCE
59	814556	TRAY, BRIQUETTE - 6, SVCE
60	814552	TRAY, BRIQUETTE - 12, SVCE
61	814536	GRATE, HEX - 13, SVCE
	819386	GRATE - 13, SVCE
62	818170	DRIP PAN ASSY, 54 - SVCE
63	818171	MANIFOLD ASSY, 54 - SVCE
	818172	MANIFOLD ASSY, LP 54 - SVCE
64	814566	MESH, SEAR COVER - SVCE
65	814534	FLASH TUBE, IR - SVCE
66	814564	BURNER, IR - SVCE
67	814652	VALVE ASSY, IR SEAR - LP, SVCE
	818173	VALVE ASSY, IR 54 - SVCE
68	815190	ORIFICE, BURNER - SVCE
	815191	ORIFICE, BURNER - LP, SVCE
69	819387	GRATE - 12, SVCE
70	814718	SMOKER BOX, LARGE - SVCE
71	814720	SMOKER BOX, SMALL - SVCE
72	818178	HARNES, WIRE ASSY 54 - SVCE
73	819382	HARN, 54 - MANIFOLD, SVCE
74	819384	HARN, ASSY, 54 - LED, SVCE
75	819383	HARNES, MANIFOLD TO LED-SVCE
76	814728	ROTISERIE GAS LINE KIT - SVCE
77	814726	FASTENER KIT - SVCE
78	815187	SHIM, PAIR - MANIFOLD, SVCE
79	800718	HOLDER, MATCH W/LANYARD
80	817916	COVER, BUILT IN - 54
81	825146	KNOB, BLACK, 30 - SET
83	801189	CERAMIC WIRE NUT

Sales Accessories

Item	Description
814087	DOOR, ACCESS - 30
814088	DOOR, ACCESS - 36
814089	DOOR, ACCESS - 42
814090	DRAWER, SINGLE - 30
814091	DRAWER, DOUBLE - 13
814092	DRAWER, TRIPLE - 13
814093	DOOR, DRAWER - COMBINATION
814805	ACCESS DOOR, LH SWING - 18
814806	ACCESS DOOR, RH SWING - 18
817048	LINER, INSULATING - 54
817049	DOOR, ACCESS - 54
817914	CONV KIT, NG - 54
817915	CONV KIT, LP - 54
818844	COVER, BUILT-IN - 54
819434	BRKT,MOTOR,RT-ROTISERIE,SVCE
825146	KNOB, BLACK, 30 - SET
825148	KNOB, BLACK-SIDE BNR, BNR MDL
825199	PLATE,GRIDDLE,OUTDOOR GRILL
827368	DRAWER, PAPER TOWEL - 18
827369	DRAWER, TRASH, SINGLE - 18
827370	DRAWER, TRASH, DOUBLE - 18
827371	STORAGE, DRY, SHORT - 36
827372	STORAGE,DRY,TALL,LH,24,ACC
827598	DOOR,ACCESS,LH SWING,18
827599	DOOR,ACCESS,RH SWING,18
827600	DOOR,ACCESS,30
827601	DOOR,ACCESS,36
827602	DOOR,ACCESS,42
827603	DOOR,ACCESS,54
827604	DRAWER,SINGLE,30
827607	COMBO,DOOR AND DRAWERS,30
828414	STORAGE,DRY,TALL,RH,24,ACC
5610236	BM13
5610237	BM13-LP