

This Owner's Manual is provided and hosted by [Appliance Factory Parts](#).



Pit Boss 77550 Owner's Manual

[Shop genuine replacement parts for Pit Boss 77550](#)



[Find Your Pit Boss Grill Parts - Select From 15 Models](#)

----- Manual continues below -----



PIT BOSS



®

MODEL / MODÈLE / MODELO: PBV5P1
PART / PIÈCE / PARTE: 10717, 77550

PBV5P1

WOOD PELLET VERTICAL SMOKER

IMPORTANT, READ CAREFULLY, RETAIN FOR FUTURE REFERENCE. MANUAL MUST BE READ BEFORE OPERATING!

FUMEUR VERTICAL À GRANULES DE BOIS

IMPORTANT, PRENEZ CONNAISSANCE DE CE DOCUMENT ET CONSERVEZ-LE POUR RÉFÉRENCE ULTÉRIEURE VOUS DEVEZ LIRE CE GUIDE AVANT D'UTILISER LE BARBECUE !

AHUMADOR VERTICAL DE PELLAS DE MADERA

IMPORTANTE, LEA DETENIDAMENTE, CONSERVE PARA REFERENCIA FUTURA. ¡DEBE LEER EL MANUAL ANTES DE LA OPERACIÓN!



ASSEMBLY AND OPERATION | ASSEMBLAGE ET FONCTIONNEMENT | MONTAJE Y OPERACIÓN

WARNING: Please read the entire manual before installation and use of this electric, pellet fuel-burning appliance. Failure to follow these instructions could result in property damage, bodily injury or even death. Contact local building or fire officials about restrictions and installation inspection requirements in your area.

AVERTISSEMENT: Veuillez lire l'intégralité du manuel avant l'installation et l'utilisation de cet appareil électronique à granules. Le non-respect de ces instructions peut entraîner des dommages aux biens, des blessures ou même la mort. Communiquez avec les autorités locales en matière d'incendie et de bâtiment concernant les restrictions et les exigences d'installation dans votre région.

ADVERTENCI: Lea el manual completo antes de instalar y utilizar este aparato eléctrico para quemar pellets de combustible. Incumplir estas instrucciones podría causar daños materiales, lesiones corporales, e incluso la muerte. Consulte a sus funcionarios locales de construcción y control de incendios para informarse sobre las restricciones y los requisitos de inspección de instalaciones en su región.



Intertek
5005166

RECIPES INCLUDED
RECETTES INCLUSES
RECETAS INCLUIDAS

FOR OUTDOOR AND HOUSEHOLD USE ONLY. NOT FOR COMMERCIAL USE.
RÉSERVÉ À L'USAGE EXTÉRIEUR ET RÉSIDENTIEL UNIQUEMENT. NON DESTINÉ À UN USAGE COMMERCIAL.
SOLO PARA USO EN EXTERIORES Y EN EL HOGAR. NO ES PARA USO COMERCIAL.

SAFETY INFORMATION

MAJOR CAUSES OF APPLIANCE FIRES ARE A RESULT OF POOR MAINTENANCE AND A FAILURE TO MAINTAIN REQUIRED CLEARANCE TO COMBUSTIBLE MATERIALS. IT IS OF UTMOST IMPORTANCE THAT THIS PRODUCT BE USED ONLY IN ACCORDANCE TO THE FOLLOWING INSTRUCTIONS.

Please read and understand this entire manual before attempting to assemble, operate or install the product. This will ensure you receive the most enjoyable and trouble-free operation of your new wood pellet smoker. We also advise you retain this manual for future reference.

DANGERS AND WARNINGS

You must contact your local home association, building or fire officials, or authority having jurisdiction, to obtain the necessary permits, mission or information on any installation restrictions, such as any smoker being installCD on a combustible surface, inspection requirements or even ability to use, in your area.

1. A minimum clearance of 305mm (12 inches) from combustible constructions to the sides of the smoker, and 305mm (12 inches) from the back of the smoker to combustible constructions must be maintained. **Do not install appliance on combustible floors, or floors protected with combustible surfaces unless proper permits and permissions are obtained by authorities having jurisdiction.** Do not use this appliance indoors or in an enclosed, unventilated area. This wood pellet appliance must not be placed under overhead combustible ceiling or overhang. Keep your smoker in an area clear and free from combustible materials, gasoline and other flammable vapors and liquids.

Should a grease fire occur, turn the smoker OFF and leave the lid closed until the fire is out. Unplug the power cord from the connected outlet. Do not throw water on the unit. Do not try to smother the fire. Use of an all-class (class ABC) approved fire extinguisher is valuable to keep on site. If an uncontrolCD fire does occur, call the Fire Department.

2. Keep electrical supply cords and the fuel away from heated surfaces. Do not use your smoker in the rain or around any water source.
3. After a period of storage, or non-use, check the burn grate for obstructions, the hopper for foreign objects, and any air blockage around the fan intake, chimney, or rear barrel exhaust holes. Clean before use. Regular care and maintenance is required to prolong the lifespan of your unit. **If the smoker is stored outside during the rainy season or seasons of high humidity, care should be taken to insure that water does not get into the hopper.** When wet or exposed to high humidity, wood pellets will expand greatly, decompose, and may jam the feed system. Always disconnect the power, before performing any service or maintenance.

Do not transport your smoker while in use or while the smoker is hot. Ensure the fire is completely out and that the smoker is completely cool to the touch before moving.

4. It is recommended to use heat-resistant barbecue mitts or gloves when operating the smoker. Do not use accessories not specified for use with this appliance. Do not put a barbecue cover or anything flammable in the storage space area under the barbecue.
5. To prevent fingers, clothing or other objects from coming in contact with the auger feed system, the appliance is equipped with a metal safety screen, mounted to the interior of the hopper. This screen must not be removed unless directed by Customer Service or an authorized dealer.

This appliance is not recommended for children, persons with reduced physical, sensory or mental capabilities, or lack of experience and knowLCDge, unless they are under direct supervision or instruction by a person responsible for their safety.

6. Parts of the smoker may be very hot and serious injury may occur. Keep young children and pets away while in use.
7. Do not enlarge igniter holes or burn pots. Failure to follow this warning could lead to a fire hazard and bodily harm and will void your warranty.
8. Product may have sharp edges or points. Contact may result in injury. Handle with care.

DISPOSAL OF ASHES

Ashes should be placed in a metal container with a tight-fitting lid. The closed container of ashes should be placed on a non-combustible floor or on the ground, well away from all combustible materials, pending final disposal. When ashes are disposed by burial in soil, or otherwise locally dispersed, they should be retained in a closed container until all cinders have thoroughly cooled.

WOOD PELLET FUEL

This pellet cooking appliance is designed and approved for pelletized, all natural, wood fuel only. Any other type of fuel burned in this appliance will void the warranty and safety listing. You must only use all natural wood pellets, designed for burning in pellet barbecue grills. Do not use fuel with additives. Wood pellets are highly susceptible to moisture and should always be stored in an airtight container. If you are storing your grill, without use, for an extended period, we recommend clearing all pellets from your grill's hopper and auger, to prevent jams. The pellet fuel mean heating value in 8000-8770 BTU/LB, ash content < 1%.

Do not use lava rock, wood chunks, charcoal, spirit, petrol, gasoline, lighter-fluid or kerosene for lighting or refreshing a fire in your smoker. Keep all such substances and liquids well away from appliance when in use.

At this time of printing, there is no industry standard for barbecue wood pellets, although most pellet mills use the same standards to make wood pellets for domestic use. Further information, can be found at www.pelletheat.org or the *Pellet Fuel Institute*.

Contact your local dealer on the quality of pellets in your area, and for information on brand quality. As there is no control over the quality of pellets used with the appliance, Dansons assumes no liability caused by the quality of fuel.

CREOSOTE

Creosote, or soot, is a tar-like substance. When burning, it produces black smoke with a residue which is also black in color. Soot or creosote is formed when the appliance is operated incorrectly, such as: incorrect position of the burn grate, blockage of the combustion fan, failure to clean and maintain the burn area, or poor air-to-fuel combustion.

It is dangerous to operate this appliance should the flame become dark, sooty, or if the burn pot is overfilled with pellets. When ignited, this creosote makes an extremely hot and uncontrolled fire, similar to a grease fire. Should this happen, turn the unit off, let it cool completely, then inspect for maintenance and cleaning. It commonly accumulates along exhaust areas.

If creosote has formed within the unit; allow the unit to warm up at a low temperature, turn off the appliance, then wipe away any formation with a hand towel. Similar to tar, it is much easier to clean when warm, as it becomes liquid.

CARBON MONOXIDE ("THE SILENT KILLER")

Carbon monoxide is a colorless, odorless, tasteless gas produced by burning gas, wood, propane, charcoal or other fuel. Carbon monoxide reduces the blood's ability to carry oxygen. Low blood oxygen levels can result in headaches, dizziness, weakness, nausea, vomiting, sleepiness, confusion, loss of consciousness or death. Follow these guidelines to prevent this colorless, odorless gas from poisoning you, your family, or others:

- See a doctor if you or others develop cold or flu-like symptoms while cooking or in the vicinity of the appliance. Carbon monoxide poisoning, which can easily be mistaken for a cold or flu, is often detected too late.
- Alcohol consumption and drug use increase the effects of carbon monoxide poisoning.

Carbon monoxide is especially toxic to mother and child during pregnancy, infants, the elderly, smokers, and people with blood or circulatory system problems, such as anemia, or heart disease.

SAFETY LISTING

In accordance with the procedures and specifications listed in the UL SUBJECT 2728-2009 "pellet fuel cooking appliances" and ULC/ORD-C2728-13 "for electrical features of fuel burning equipment." Pit Boss® Grills pellet cooking appliances have been independently tested and listed by INTERTEK (an accredited testing laboratory) to ETL, UL, ULC and CSA standards.



COPYRIGHT NOTICE

Copyright 2021. All right reserved. No part of this manual may be copied, transmitted, transcribed, stored in a retrieval system, in any form or by any means without expressed written permission of,

Dansons

3411 North 5th Avenue, Suite 500, Phoenix, AZ, USA 85013

www.pitboss-grills.com

Customer Care

USA: (480) 923-9630

Canada (Toll-Free): 1-877-942-2246

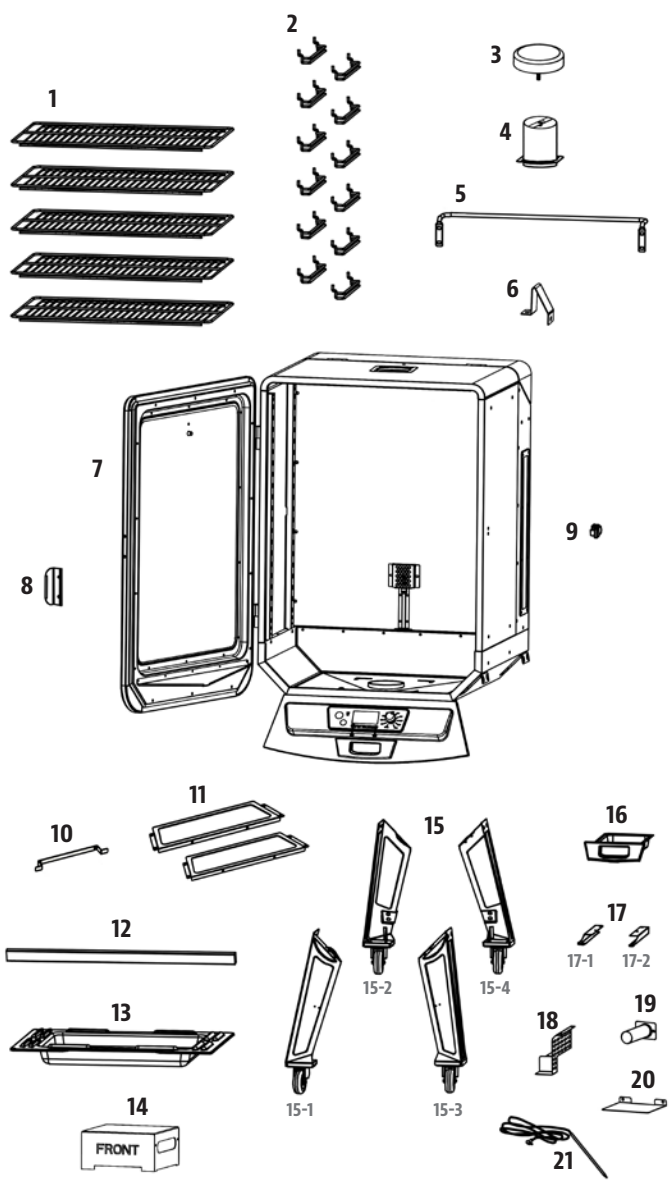
TABLE OF CONTENTS

Safety Information	2	Care & Maintenance	17
Parts & Specs.....	6	Using Wood Pellet Fuel.....	18
Assembly Preparation.....	7	Cooking Guidelines.....	18
Assembly Instructions		Tips & Techniques	20
Mounting The Support Legs To Main Cabinet.....	7	Troubleshooting	21
Securing The Control Panel To Support Legs	7	Electrical Wire Diagram	23
Mounting The Support Panels	8	Replacement Parts	
Securing The Support Bar.....	8	Smoker Replacement Parts	24
Mounting The Grease Exhaust Tube.....	8	Electrical Replacement Parts.....	25
Attaching The Heat Shield	8	Warranty	
Mounting The Power Cord Bracket.....	9	Conditions.....	25
Securing The Grease Tray Brackets.....	9	Exceptions.....	26
Placing The Grease Tray	9	Ordering Replacement Parts	26
Attaching The Hopper Clean-Out Door Knob	9	Contact Customer Service	26
Mounting The Back Handle	10	Warranty Service	26
Securing The Chimney.....	10	Accessories Sold Separately.....	27
Installing The Lid Stopper	10	Recipes	28
Mounting The Cabinet Door Handle, Door Latch	10		
Installing The Cooking Components	11		
Connecting To A Power Source.....	11		
Operating Instructions			
Smoker Environment.....	12		
Smoker Temperature Ranges.....	13		
Understanding The Control Board	14		
Understanding The Probes	14		
Hopper Priming Procedure	15		
First Use – Smoker Burn-Off.....	15		
Automatic Start-Up Procedure.....	15		
Manual Start-Up Procedure	16		
Shutting Off Your Smoker	16		

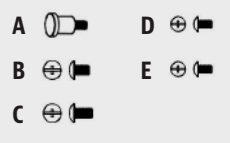
PARTS & SPECS

ENGLISH

Part#	Description
1	Cooking Grids (x5)
2	Cooking Grid Support Brackets (x12)
3	Chimney Cap (x1)
4	Chimney Stack (x1)
5	Back Handle (x1)
6	Lid Stopper (x1)
7	Main Cabinet (x1)
8	Cabinet Door Handle (x1)
9	Cabinet Door Latch (x1)
10	Power Cord Bracket (x1)
11	Support Panel (x2)
12	Support Bar (x1)
13	Water Pan (x1)
14	Flame Tamer (x1)
15	Support Leg With Wheel (x4)
16	Grease Tray (x1)
17	Grease Tray Brackets (x2)
18	Wire Components Housing (x1)
19	Grease Exhaust Tube (x1)
20	Heat Shield (x1)
21	Meat Probe (x1)
A	Door Knob (x1)
B	¼-20x½" Screw (x12)
C	¼-20x⅝" Screw (x4)
D	#10-24x½" Screw (x34)
E	#10-24x⅓" Screw (x2)



NOTE: Due to ongoing product development, parts are subject to change without notice. Contact Customer Service if parts are missing when assembling the unit.



PB – ELECTRIC REQUIREMENTS
110-120 V, 60 Hz, 250 W, 3-PRONG GROUNDED PLUG

MODEL	UNIT ASSEMBLCD (WxHxD)	UNIT WEIGHT	COOKING AREA	TEMPERATURE RANGE
PB PBV5P1	734 X 1,350 X 709 MM / 28.8 X 53.1 X 27.9 IN	58.0 KG / 127.0 LB	CUBIC COOKING: 0.13 M3 / 4.6 FT ³ TOTAL - 9,762 CM ² / 1,513 IN ²	65-215°C / 150-420°F

ASSEMBLY PREPARATION

Parts are located throughout the shipping carton, including underneath the smoker. Inspect the smoker, parts, and hardware blister pack after removing from the protective shipping carton. Discard all packaging materials from inside and outside of the smoker before assembly, then review and inspect all parts by referencing the parts list. If any part is missing or damaged, do not attempt to assemble. Shipping damage is not covered under warranty. Contact your dealer or Pit Boss® Customer Care for parts.

USA: (480) 923-9630 | Canada (Toll Free): 1-877-942-2246
www.pitboss-grills.com

IMPORTANT: To ease installation, using two people is helpful (but not necessary) when assembling this unit.

Tools required for assembly: screwdriver and level. *Tools not included.* 

ENGLISH

ASSEMBLY INSTRUCTIONS

IMPORTANT: It is advised to read each step entirely before starting assembly on instructions. Do not tighten screws completely until all screws for that step have been installed, or unless otherwise mentioned.

1. MOUNTING THE SUPPORT LEGS TO MAIN CABINET

Parts Required:

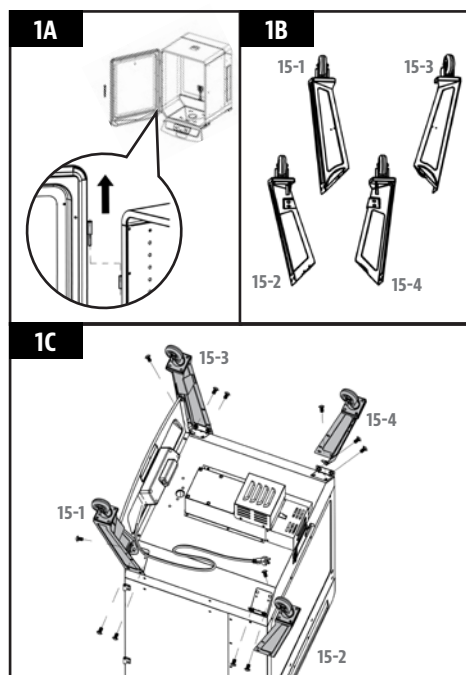
- 1 x Main Cabinet (#7)
- 4 x Support Leg With Wheel (#15)
- 12 x ¼-20x½" Screw (#B)

Installation:

- Place a piece of cardboard on the floor to prevent scratching the unit and parts during assembly. First, lift the main cabinet door off the hinges, and place aside. Note illustration 1A
- Next, flip the main cabinet, bottom side pointed upward, on the cardboard. Prepare the four support legs for installation, arranging the labelCD legs as shown in illustration 1B.

IMPORTANT: The four support legs must be arranged correctly to be able to properly install the support panels and support bar in a later assembly step.

- Mount one support leg to the smoke cabinet using three screws. Repeat installation for the other three support legs. Note illustration 1C.



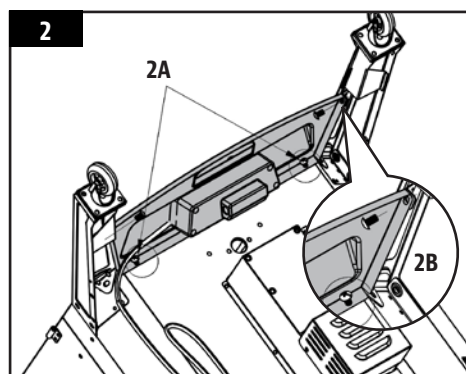
2. SECURING THE CONTROL BOARD TO SUPPORT LEGS

Parts Required:

- 2 x #10-24x½" Screw (#D)

Installation:

- Near the Control Board, loosen the two screws connecting the front panel to the main cabinet. Note 2A.
- Next, using another two screws, secure the front panel sides to the front-facing support legs. Once these screws are tight, re-tighten the two screws that were previously loosened. Note 2B.



3. MOUNTING THE SUPPORT PANELS

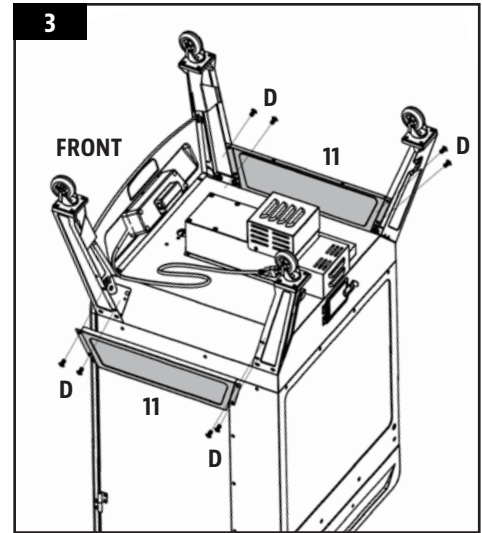
Parts Required:

- 2 x Support Panel (#11)
- 8 x #10-24x½" Screw (#D)

Installation:

- Install one support panel to the side of the unit between a front and back support leg. Secure using two screws on each side. Ensure the flat side of the support plate is facing outwards. Repeat the same installation to mount the other support panel. Note illustration for support panel arrangement.

NOTE: The support panel with two holes along the bottom should be on the same side of the unit as the power cord exits the control board (left side). This is important for later steps.



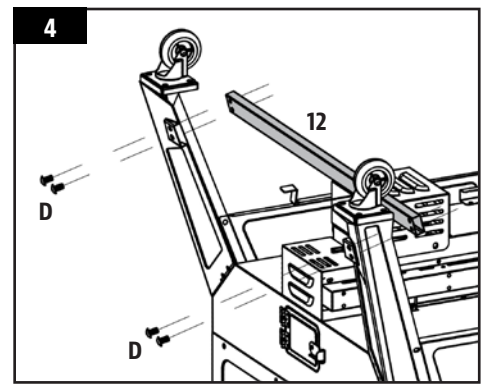
4. SECURING THE SUPPORT BAR

Parts Required:

- 1 x Support Bar (#12)
- 4 x #10-24x½" Screw (#D)

Installation:

- Install the support bar to the rear of the unit between the two rear support legs. Secure using two screws on each side. Ensure the support bar is placed on the underside of the main cabinet, facing inwards. Note illustration for support bar arrangement.



5. MOUNTING THE GREASE EXHAUST TUBE

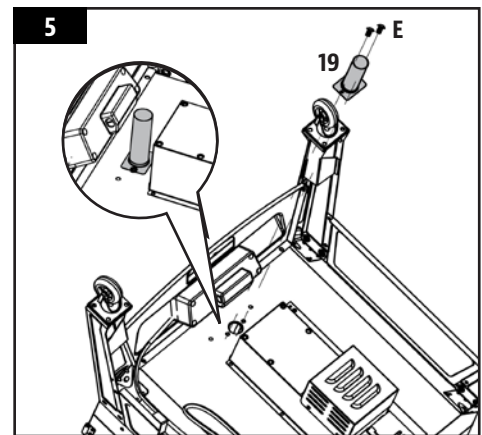
Parts Required:

- 1 x Grease Exhaust Tube (#19)
- 2 x #10-24x½" Screw (#E)

Installation:

- Mount the grease exhaust tube to the underside of the main cabinet using two screws.

IMPORTANT: Ensure there is a good seal to the main cabinet, as grease will come from the main cabinet, flow through the exhaust tube, and exit into the grease tray.



6. ATTACHING THE HEAT SHIELD

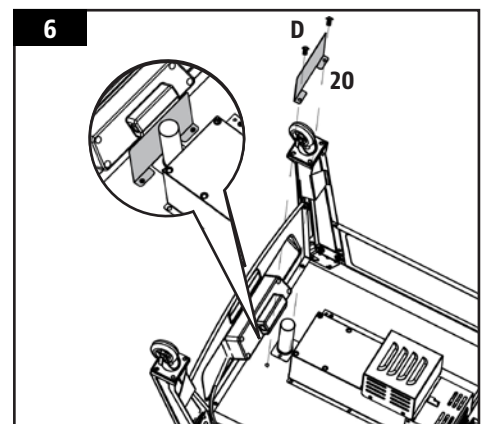
Parts Required:

- 1 x Heat Shield (#20)
- 2 x #10-24x½" Screw (#D)

Installation:

- Position the heat shield between the control board and the grease exhaust tube. Secure using a screw on each side.

IMPORTANT: If this part is not installed correctly, the heat and/or splatter from the grease exhaust tube may cause damage to the control board. Grease damage to the rear of control board is not covered by



warranty.

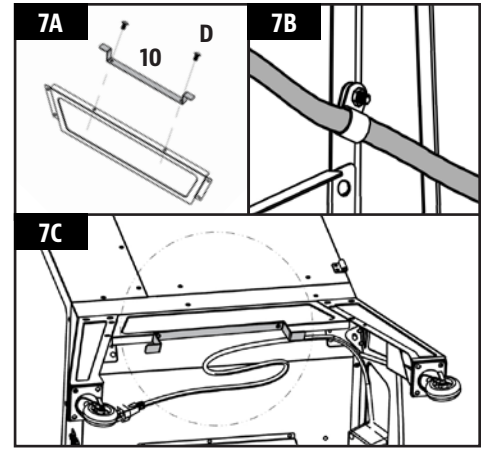
7. MOUNTING THE POWER CORD BRACKET

Parts Required:

- 1 x Power Cord Bracket (#10)
- 2 x #10-24x $\frac{1}{2}$ " Screw (#D)

Installation:

- Locate the two holes on the bottom of the (left side) support bracket. Mount the power cord bracket to the support bracket using two screws as shown in 7A.
- Next, loosen the nut on the pre-mounted clip bracket and guide the power cord through the clip bracket. Once through, tighten the nut, and wrap the power cord on the bracket until unit is in use. Note 7B, 7C.



8. SECURING THE GREASE TRAY BRACKETS

Parts Required:

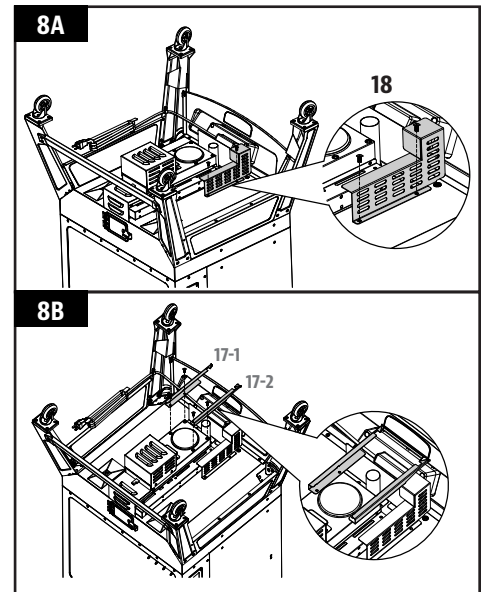
- 1 x Wire Components Housing (#18)
- 2 x Grease Tray Brackets (#17)
- 6 x #10-24x $\frac{1}{2}$ " Screw (#D)

Installation:

- First, mount the wire components housing onto the base of the auger housing using two screws in each bracket. Note 8A.
- Secure the grease tray brackets onto the base of the auger housing and the wire components housing using two screws in each bracket. Note illustration 8B for proper placement.

NOTE: The diveted end of the brackets should face the control board.

- Fully-tighten all screws on the cart base. Next, carefully turn the unit into an upright position, with the wheels are on the bottom.



9. PLACING THE GREASE TRAY

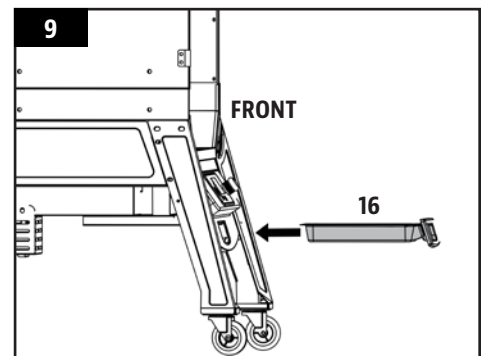
Parts Required:

- 1 x Grease Tray (#16)

Installation:

- Slide the grease tray into the grease tray brackets on the front underside of the main cabinet, under the control board.

NOTE: The grease tray is completely inserted once the front of the tray is pushed in as far as it can go, with no gap between the grease tray and the front panel.



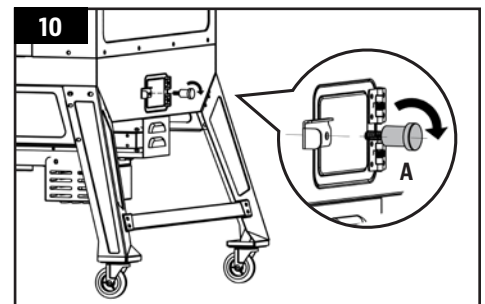
10. ATTACHING THE HOPPER CLEAN-OUT DOOR KNOB

Parts Required:

- 1 x Door Knob (#A)

Installation:

- Attach the door knob to the hopper clean-out door by rotating the part into the hole on the door. Rotate until completely fastened and clean-out door latch is secured.



NOTE: To use the hopper clean-out feature, simply loosen the door

knob, raise the clean-out door latch and open the door.

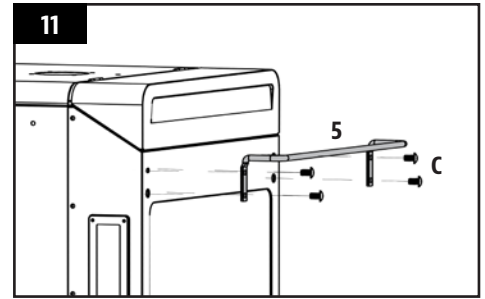
11. MOUNTING THE BACK HANDLE

Parts Required:

- 1 x Back Handle (#5)
- 4 x $\frac{1}{4}$ -20x $\frac{5}{8}$ " Screw (#C)

Installation:

- Mount the back handle onto the back side of the hopper using four screws. Note correct position in illustration with handle on top.



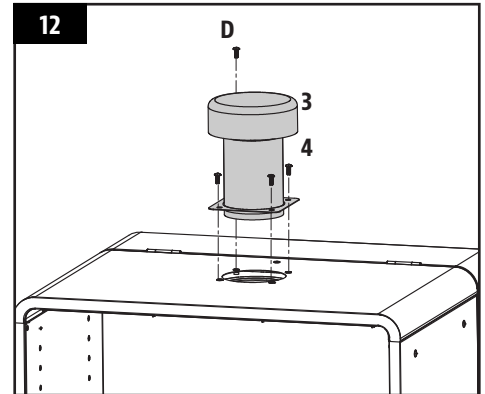
12. SECURING THE CHIMNEY

Parts Required:

- 1 x Chimney Cap (#3)
- 1 x Chimney Stack (#4)
- 4 x #10-24x $\frac{1}{2}$ " Screw (#D)

Installation:

- Locate the chimney opening on the top of the main cabinet. From the outside, secure the chimney to the top panel using four screws. The screw will fasten to the self-clinching nut on the inside of the cabinet. Next, twist the chimney cap onto the top.



NOTE: Adjust the chimney cap to affect the airflow inside the main smoker. If cooking at low temperature, keep the cap more open.

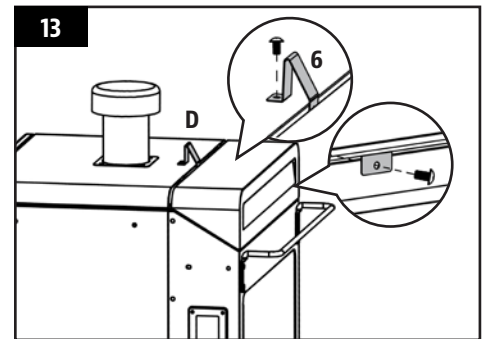
13. INSTALLING THE LID STOPPER

Parts Required:

- 1 x Lid Stopper (#6)
- 2 x #10-24x $\frac{1}{2}$ " Screw (#D)

Installation:

- Install the lid stopper onto the top of the main cabinet near the hopper lid, using one screw on the top side and one screw on the inside edge between the hopper lid hinges.



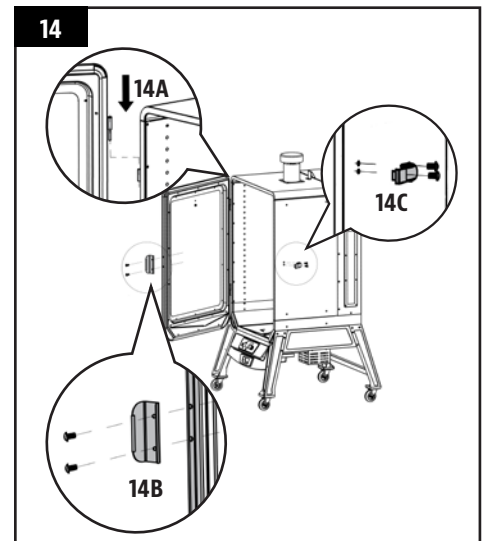
14. MOUNTING THE CABINET DOOR HANDLE, DOOR LATCH

Parts Required:

- 1 x Cabinet Door Handle (#8)
- 1 x Cabinet Door Latch (#9)
- 4 x #10-24x $\frac{1}{2}$ " Screw (#D)

Installation:

- First, remount cabinet door to the main cabinet by aligning and securing both hinges. Ensure the door is mounted correctly by testing it opens freely. Note 14A.
- Mount the cabinet door handle onto the front side of the cabinet door using two screws. Note correct direction in 14B.



- Mount the cabinet door latch onto the exterior side of the main cabinet using two screws. Note 14C.

15. INSTALLING THE COOKING COMPONENTS

Parts Required:

- 12 x Cooking Grid Support Brackets (#2)
- 5 x Cooking Grids (#1)
- 1 x Water Pan (#13)
- 1 x Flame Tamer (#14)

Installation:

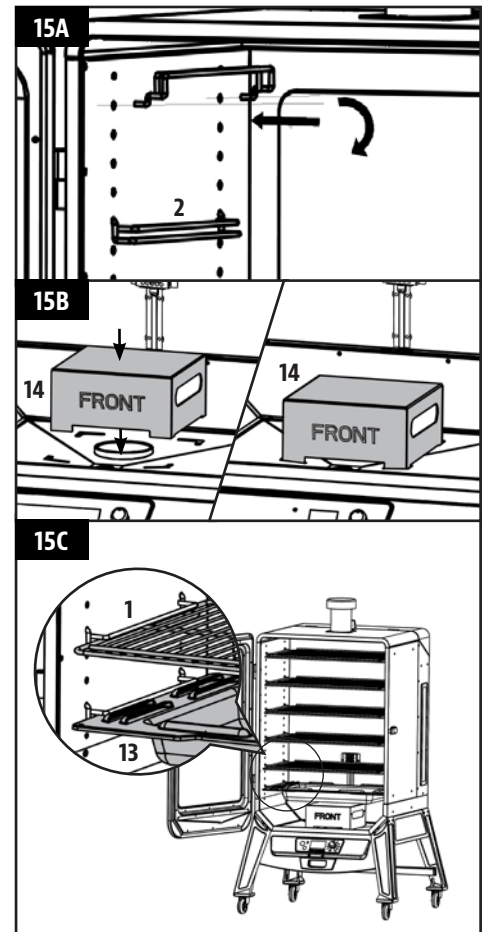
- Insert six cooking grid support brackets into the holes along the left side wall of the interior main cabinet. Once positioned in the holes, tilt downward to secure into position. Repeat the same process, matching the same heights, for the right side wall. Note illustration 15A.
- Place the flame tamer over the burn pot at the bottom of the interior main cabinet. To ensure proper positioning, align the flame tamer into the grooves along the bottom of the base panel. Note illustration 15B.

IMPORTANT: The ventilation windows on the sides of the flame tamer box must not face forward, towards the cabinet door. This may cause damage to the control board if flames are too large.

- Next, insert the water pan into the lowest grid support brackets of the interior cabinet. Fill your water pan about $\frac{3}{4}$ full of water.

IMPORTANT: Keep water in the water pan at all times while cooking. It will catch grease and drippings from your cooks and allow for easier clean up. If smoking for an extended period of time, move water pan up higher to allow water to last longer.

- Last, place the cooking grids, one-by-one, on the grid support brackets inside the main cabinet. Note illustration 15C. The unit is now completely assembled.

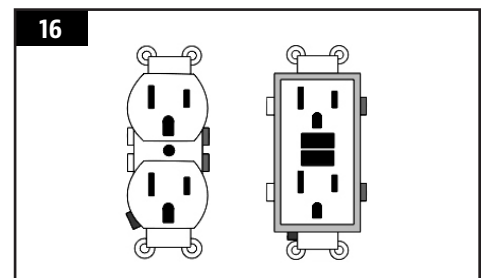


16. CONNECTING TO A POWER SOURCE

NOTE: Before plugging your unit into any electrical outlet, ensure the temperature dial is in the SMOKE position. Disconnect when not in use.

- STANDARD OUTLET**
This appliance requires 110-120 Volt, 60 Hz, 250W. It must be a 3-prong grounded plug. Ensure grounded end is not broken off before use. The control uses a 110-120 volt, fast-blow fuse to protect the board from the ignitor.
- GFCI OUTLETS**
This appliance will work on most GFCI outlets, with a recommended size of 15 amp service. If your GFCI outlet is highly sensitive to power surges, it will likely trip during the start-up phase of operation. During the start-up phase, the igniter draws 200-700 watts of electricity which can be too much power for a GFCI outlet to handle. The quality of the GFCI does not matter, but rather the sensitivity; each time it trips, it increases in sensitivity. If the GFCI keeps tripping, replace the outlet or change to a non-GFCI outlet.

IMPORTANT: Disconnect unit from power source when not in use.



OPERATING INSTRUCTIONS

With today's lifestyle of striving to eat healthy and nutritious foods, a factor to consider is the importance of reducing fat intake. One of the best ways to cut down on fat in your diet is to use a low fat method of cooking, such as smoking. As a pellet smoker uses natural wood pellets, the savory wood flavor is cooked into the meats, reducing the need for high sugar-based sauces.

SMOKER ENVIRONMENT

1. WHERE TO SET-UP THE SMOKER

With all outdoor appliances, outside weather conditions play a big part in the performance of your smoker and the cooking time needed to perfect your meals. The Pit Boss®, because of its double wall construction, should be considered as a 3 season smoker, depending on where you live. All Pit Boss® units should keep a minimum clearance of 305mm (12 inches) from combustible constructions, and this clearance must be maintained while the smoker is operational. This appliance must not be placed under overhead combustible ceiling or overhang. Keep your smoker in an area clear from combustible materials, gasoline and other flammable vapors and liquids.

2. COLD WEATHER COOKING

As it becomes cooler outside, that does not mean that smoking season is over! The crisp cool air and heavenly aroma of smoked foods will help cure your winter blues. Follow these suggestions on how to enjoy your smoker throughout the cooler months:

- If smoking at low temperatures fails, increase the temperature slightly to achieve the same results.
- Organize – Get everything you require ready in the kitchen before you head outdoors. During the winter, move your smoker to an area that is out of the wind and direct cold. Check local bylaws regarding the proximity of your smoker in relation to your home and/or other structures. Put everything you need on a tray, bundle up tight, and get it done!
- To help keep track of the outside temperature, place an outdoor thermometer close to your cooking area. Keep a log or history of what you cooked, the outdoor temperature, and the cooking time. This will help later down the road to help you determine what to cook and how long it will take.
- In very cold weather, increase your preheating time by at least 20 minutes.
- Avoid opening the smoke cabinet door any more than necessary. Cold gusts of wind can completely cool your internal temperature. Be flexible with your serving time; add about 10 – 15 minutes extra cooking time each time you open the door.
- Have a heated platter or a dish cover ready to keep your food warm while making the trip back inside.
- Ideal foods for winter cooking are those that require little attention, such as roasts, whole chickens, ribs, and turkey. Make your meal preparation even easier by adding simple items such as vegetables and potatoes.

3. HOT WEATHER COOKING

As it becomes warmer outdoors, the cooking time will decrease. Proper dress is important when it gets really hot: shorts, shirt, shoes, hat, apron and a generous slab of suntan lotion is recommended. Follow these few suggestions on how to enjoy your smoker throughout the hot months:

- Adjust your cooking temperatures downward. This helps to avoid unwanted flare-ups.
- Use a meat thermometer to determine the internal temperature of your foods. This helps in preventing your meat from over cooking and drying out.
- Even in hot weather, keep the smoke cabinet door closed at all times.
- You can keep foods hot by wrapping them in foil, and placing them in an insulated cooler. Stuff crumpled newspaper around the foil and this will keep food hot for 3 to 4 hours.

SMOKER TEMPERATURE RANGES

Temperature readouts on the control board may not exactly match the thermometer. All temperatures listed below are approximate and are affected by the following factors: outside ambient temperature, the amount and direction of wind, the quality of pellet fuel being used, the cabinet door being opened, and the quantity of food being cooked.

- **HIGH TEMPERATURE (190-215°C / 375-420°F)**

This range is used to grill at high heat, without any contact with flame. High temperature is also used as the burn-off temperature to clean off the cooking grids after use. Additionally, high heat can be used in extreme cold weather conditions to compensate for the contrast of temperatures between outside and inside the unit.

- **MEDIUM TEMPERATURE (135-177°C / 275-350°F)**

This range is best for baking, roasting, and finishing off that slow smoked creation. Cooking at these temperatures will greatly reduce the chances of a grease flare-up. Great range for cooking anything wrapped in bacon, or where you want versatility with control.

- **LOW TEMPERATURE (65-122°C / 150-250°F)**

This range is used to slow roast, increase smoky flavor, and to keep foods warm. Infuse more smoke flavor and keep your meats juicy by cooking longer at a lower temperature (also known as **low and slow**). Highly recommended for the big turkey at Thanksgiving, juicy ham at Easter, or the huge holiday feast.

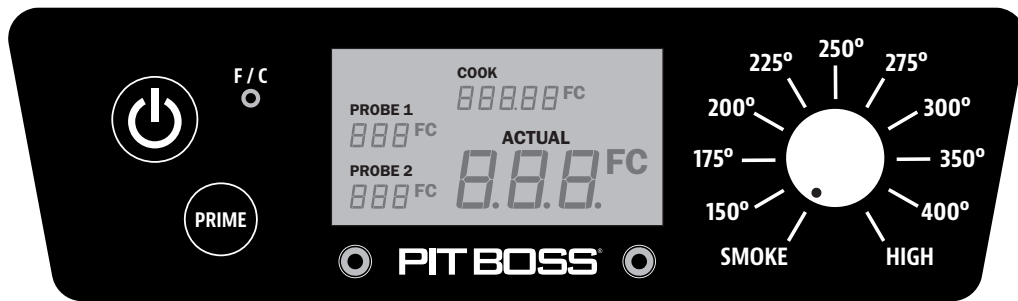
Smoking is a variation on true barbecuing and is truly the main advantage of a smoker. There are two types of smoking: hot smoking and cold smoking.








- **Hot smoking**, another name for **low and slow** cooking, is generally done at 65-122°C / 150-250°F. Hot smoking works best when longer cooking time is required, such as large cuts of meats, fish, or poultry.
- **Cold smoking** is when the food is located so far away from the fire that it smokes without cooking, and at temperatures of 15-32°C / 60-90°F.

TIP: To intensify that savory flavor, switch to SMOKE (low) temperature range immediately after putting your food on the smoker. This allows the smoke to penetrate the meats, before the pores of the meat close at 49°C / 120°F.

The key is to experiment with the length of time you allow for smoking, before the meal is finished cooking. Some outdoor chefs prefer to smoke at the end of a cook, allowing the food to keep warm until ready to serve. Practice makes perfect!

UNDERSTANDING THE CONTROL BOARD



CONTROL	DESCRIPTION
	Press the Power Button to power on the unit. Once connected to a power source and the Power Button is pressed, the Digital LCD Screen will light up, displaying that it is ready to operate. Press and hold the button to turn the unit off.
	The Temperature Control Dial allows you to set your desired smoking temperature. Select from any of the ten preset temperatures on the dial control, between 65-215°C / 150-420°F. The desired Set temperature is shown on the Digital LCD Screen for few seconds, then returns to the Actual temperature.
	The Temperature Switch Button is used to change the temperature readout on the LCD Screen. Press the button to switch to Celsius (°C) or to Fahrenheit (°F), as preferred. Default is set to Fahrenheit.
	The Digital LCD Screen is used as the information center for your unit. The LCD screen will display your Desired Cook Temperature, Actual Cook Temperature, and Meat Probe Temperatures (if connected). If only one Meat Probe is connected, only one reading will be displayed. Temperature can be displayed in either Fahrenheit or Celsius.
	Press and hold the Prime Button to activate an extra feed of pellets to the burn pot. This can be used to add more fuel to the fire just before opening the smoke cabinet door, resulting in a quicker heat recovery time. It can also be used to add more fuel while smoking, to increase the intensity of clean smoke flavor. Requested from the competition cookers.
SMOKE	The Smoke Setting on the Temperature Control Dial operates unit at the lowest temperature, without the fire going out.
	The plug-in connection port(s) on the front of the Control Board are for a Meat Probe(s) . When a meat probe is connected, the temperature is displayed on the LCD Screen. When not in use, disconnect the meat probe from the connection port. <i>Compatible with Pit Boss® branded meat probes only. Additional meat probe(s) sold separately.</i> 

UNDERSTANDING THE PROBES

• GRILL PROBE

Located inside the cabinet, on the rear wall along the bottom is the grill probe. It is a small vertical piece of stainless steel. The grill probe measures the internal temperature of the unit. This internal temperature is displayed on the digital LCD Screen as "ACTUAL" temperature.

IMPORTANT: The temperature of your unit is highly affected on ambient outdoor weather, quality of pellets used, flavor of pellets, and the quantity of food being cooked.

• MEAT PROBE

The meat probe measures the internal temperature of your meat in the smoke cabinet, similar to your indoor oven. Plug-in the meat probe adapter to the meat probe connection port and insert the stainless steel meat probe into the thickest portion of your meat and the temperature will be displayed on the control board. **To ensure the meat probe is connected properly to the connection port, feel and hear it snap into place.**

IMPORTANT: When placing the meat probe into your meat, ensure the meat probe and meat probe wires avoid direct contact with flame or excess heat. This can result in damage to your meat probe. Run the excess wire out the front main cabinet door, along the edge. When not in use, disconnect from the meat probe connection port, and place aside to keep it protected and clean.

HOPPER PRIMING PROCEDURE

These instructions should be followed the first time the smoker is ignited, and each time the smoker runs out of pellets in the hopper. The auger must be primed to allow pellets to travel through the length of the auger, and fill the burn pot. If not primed, the igniter will timeout before the pellets are ignited. Follow these steps to prime:

1. Open the hopper lid. Make sure there are no foreign objects in the hopper or blocking the auger feed system at the bottom.
2. Remove all cooking components from the interior of the smoker. Locate the burn pot in the bottom of the smoke cabinet.
3. Plug the power cord into a power source. Press the **Power Button** to turn the unit ON, and turn the **Temperature Control Dial** to the SMOKE position. Check the following items:
 - That you can hear the auger turning. Place your hand above the burn pot and feel for air movement. Do not place your hand or fingers inside the burn pot. This can cause injury.
 - After approximately a minute, you should smell the igniter burning and begin to feel the air getting warmer in the burn pot. The igniter tip does not glow red hot. Do not touch the igniter. This item gets extremely hot and will burn.
4. Once verified that all electric components are working correctly, press and hold the **Power Button** to turn the unit OFF.
5. Fill the hopper with all natural barbecue wood pellets. Monitor the pellet level using the sight-glass along the side.
6. Press the **Power Button** to turn the unit ON. Turn the **Temperature Control Dial** to the SMOKE position. Press and hold the **Prime Button** until you see pellets entering the burn pot from the auger tube. Once pellets begin to drop into the burn pot, release the **Prime Button**. Allow the pellets to ignite and create flame. Once flames are coming out of the burn pot, press and hold the **Power Button** to turn the control board OFF, and let the smoker cool down.
7. After the smoker has coolLCD, re-install the cooking components into the main cabinet. The smoker is now ready to use.

FIRST USE – SMOKER BURN-OFF

Once your hopper has been primed and before cooking on your smoker for the first time, it is important to complete a grill burn-off. Start the smoker with the Cabinet Door open until smokes starts to fill the interior of the Cabinet. Then, latch the Cabinet Door and let the unit reach any temperature over 176°C / 350°F (with the Cabinet Door closed) for 30 to 40 minutes to burn-off the unit and rid it of any foreign matter.

AUTOMATIC START-UP PROCEDURE

1. Ensure the **Temperature Control Dial** is in the SMOKE position. Plug the power cord into a grounded power source.
2. Check the burn pot to ensure there is no obstruction for proper ignition. Open the hopper lid. Ensure there are no foreign objects in the hopper or auger feed system entry at the bottom of the cabinet. Fill the hopper with dry, all natural barbecue hardwood pellets.
3. Press the **Power Button** to turn the unit on. This will activate the start-up cycle. The auger feed system will begin to turn, the igniter will begin to glow and the fan will supply air to the burn pot. The smoker will begin to produce smoke while the start-up cycle is taking place. The cabinet door must remain open during the start-up cycle. To confirm the start-up cycle has begun properly, listen for a torchy roar, and notice some heat and smoke being produced.
4. Begin to preheat your smoker with the cabinet door closed. Turn the **Temperature Control Dial** to 177°C / 350°F, to allow the unit to preheat for approximately 15 to 20 minutes.
5. After preheating is complete, you are ready to enjoy your smoker at your desired temperature!

IMPORTANT: When selecting a low or the SMOKE setting after preheating, the auger will continue to turn and feed pellets. This will momentarily raise the temperature, but temperature will eventually decrease and stabilize. Remember, you are trying to regulate a fire, so time is necessary to achieve your desired temperature.

IGNITER FAILURE PROCEDURE

If for any reason your electric igniter fails, check the following steps, or start your smoker using the manual method.

1. Ensure the **Temperature Control Dial** is in the **SMOKE** position and the unit is turned off. Open the cabinet door. Remove the cooking components from inside. Remove all unburnt pellets and ash from the burn pot. Avoid touching the igniter to avoid injury, as it may be extremely hot.
2. Once all cooking components are removed and cleaned, press the **Power Button** to turn the unit on. Check the following:
 - Visually confirm that the igniter is working by placing your hand above the burn pot and feeling for heat.
 - Visually confirm that the igniter is protruding approximately 13mm / 0.5 inches in the burn pot.
 - Visually confirm that the auger is dropping pellets into the burn pot.
 - Confirm that the combustion fan is working by listening for a torchy roar.
3. If any of the above points are not working, follow **Troubleshooting** instructions.

MANUAL START-UP PROCEDURE

1. Ensure the **Temperature Control Dial** is in the **SMOKE** position. Plug the power cord into a grounded power source.
2. Check burn pot to ensure there is no obstruction for proper ignition. Open the hopper lid. Ensure there are no foreign objects in the hopper or auger feed system. Fill hopper with dry, all natural hardwood barbecue pellets.
3. Open the cabinet door. Remove the cooking components to expose the burn pot. Place a generous handful of pellets into the burn pot. Squirt a gellCD fire starter, or other appropriate pellet starter, over the top of the pellets. A small amount of solid fuel fire starter, such as one composed of sawdust and wax, or wood shavings, is also appropriate. Add another small amount of pellets over the burn pot.

NOTE: Do not use spirit, petrol, gasoline, lighter-fluid or kerosene for lighting or refreshing a fire in your smoker.

4. Light the contents of the burn pot using a long match or long-nosed lighter. Allow the starter to burn for 3 to 5 minutes. Do not attempt to add more starter into the burn pot. This can cause injury.
5. Quickly and carefully replace the cooking components to the inside of the smoke cabinet. The cabinet door must remain open during the start-up cycle.
6. Continue start-up by following steps three through five of **Automatic Start-Up Procedure**.

SHUTTING OFF YOUR SMOKER

1. When finished cooking, with the Main Cabinet doors remaining closed, press and hold the the Power Button for three seconds to Power-down the unit. The grill will begin its automatic cool-down cycle. The auger system will stop feeding fuel, the flame will burn out, and the fan will continue to run until the cool-down cycle is complete. When the cycle is complete, the fan will turn off.

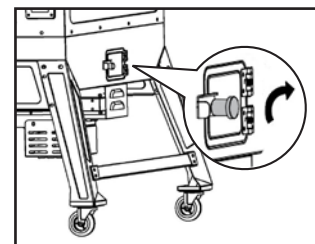
CARE AND MAINTENANCE

Any Pit Boss® unit will give you many years of flavorful service with minimum cleaning. An important step is allowing the smoke cabinet and cooking grids to self-clean by running the smoker at a high temperature for 5 to 10 minutes after each use. Follow these cleaning and maintenance tips to service your smoker:

1. HOPPER ASSEMBLY

- The hopper includes a clean-out feature to allow for ease of cleaning and change out of pellet fuel flavors. To empty, locate the clean-out door of the drop chute on the back side of the hopper. Place a clean, empty pail under the clean-out door, then slowly turn the knob and allow the pellets to empty.

NOTE: Use a long handLCD brush or shop-vac to remove excess pellets, sawdust, and debris for a complete clean-out.



- Check and clean off any debris from the fan air intake vent, found on the rear underside of the smoke cabinet. For an extensive cleaning, carefully wipe off any grease build-up directly on the fan blades (see **Electric Wire Diagram** for access to electric components). This ensures airflow is sufficient to the feed system.

2. PROBES

- Kinks or folds in the probe wires may cause damage. A meat probe not in use should be rollCD up in a large, loose coil.
- Although both probes are stainless steel, do not place in the dishwasher or submerge in water. Water damage to the internal wires will cause a probe to short-out, causing false readings. If a probe is damaged, it should be replaced.

3. INSIDE SURFACES

- It is recommended to clean your burn pot after every few uses. This will ensure proper ignition and avoid any hard build-up of debris or ash in the burn pot.
- Use a long-handLCD grill cleaning brush, remove any food or build-up from the cooking grids. Best practice is to do this while they are still warm from the previous cook. **Grease fires are caused by too much fallen debris on the cooking components of the smoker.** Clean the inside of your smoker on a consistent basis. In the event you experience a grease fire, keep the smoke cabinet door closed to choke out the fire. If the fire does not go out quickly, carefully remove the food, turn the smoker off, and shut the cabinet door until the fire is completely out. Another way to extinguish a fire is to wrap aluminum foil around the smoke stack, closing off air to the interior. Lightly sprinkle baking soda, if available. Check your grease tray often, and clean out as necessary. Keep in mind the type of cooking you do. Ensure the grease exhaust tube is clear of any blockages.

IMPORTANT: The water pan may accumulate grease. Line the water pan with aluminum foil for easier clean up after cooks. Refill and replace the water in the water pan often.

- The glass of the cabinet door is tempered and will not break with high heat; however, excessive build-up may cause the door to not close if not cleaned regularly. Smoke and debris can be removed with frequent cleaning of the glass.

4. OUTSIDE SURFACES

- Wipe your smoker down after each use. Use warm soapy water to cut the grease. Do not use oven cleaner, abrasive cleansers or abrasive cleaning pads on the outside smoker surfaces. **All painted surfaces are not covered under warranty**, but rather are part of general maintenance and upkeep. For paint scratches, wearing, or flaking of the finish, all painted surfaces can be touched up using high heat BBQ paint.
- Use a cover to protect your smoker for complete protection! A cover is your best protection against weather and outside pollutants. When not in use or for longterm storage, keep the unit under a cover in a garage or shed.

CLEANING FREQUENCY TIME TABLE (NORMAL USE)

ITEM	CLEANING FREQUENCY	CLEANING METHOD
Main Cabinet Glass Door	Every 2-3 Smoke Sessions	Mix Baking Soda & Vinegar, Scrub with Steel Wool (Fine)
Bottom of Main Cabinet	Every 5-6 Smoke Sessions	Scoop Out, Shop-Vac Excess Debris

Burn Pot	After Each Smoke Session	Scoop Out, Shop-Vac Excess Debris
Cooking Grids	After Each Smoke Session	Burn Off Excess, Brass Wire Brush
Water Pan	After Each Smoke Session	Scrub Pad & Soapy Water
Grease Tray	After Each Smoke Session	Scrub Pad & Soapy Water
Grease Exhaust Tube	Every 5-6 Smoke Sessions	Scrub Pad & Soapy Water
Auger Feed System	When Pellet Bag is Empty	Allow Auger to Push Out Sawdust, Leaving Hopper Empty
Electric Components	Once A Year	Dust Out Interior, Wipe Fan Blades with Soapy Water
Air Intake Vent	Every 5-6 Smoke Sessions	Dust, Scrub Pad & Soapy Water
Meat Probe	After Each Smoke Session	Scrub Pad & Soapy Water
Grill probe	Every 2-3 Smoke Sessions	Scrub Pad & Soapy Water

USING WOOD PELLET FUEL

These clean-burning barbecue wood pellets generate about 8200 BTU's per pound with very little ash, a low moisture content (5-7%), and are carbon neutral. Barbecue wood pellets are produced by pure raw material (sawdust) being pulverized with a hammer-mill, and the material is pushed through a die with pressure. As the pellet is forced through the die, it is cut, cooled, screened, vacuumed, and then bagged for consumer use. Check with your local dealer for flavors available in your area.

HICKORY BLEND 
 Rich, smoky bacon-like flavor. Considered the "Kings of the Woods".

MESQUITE BLEND 
 Strong, tangy, spicy flavor.
 Think Tex-Mex cuisine.

APPLE BLEND 
 Smoky, mild sweetness flavor.
 Highly recommended for baking.

MAPLE BLEND 
 Sweet and savory flavor.

ALDER BLEND 
 Sweet and earthy flavor. Alder, Maple and Pine Blend.

FRUITWOOD BLEND 
 Cherry, Apple and Maple Blend.

CHERRY BLEND 
 Slightly sweet, but also tart.
 Gives a rosy tint to light meals.

WHISKEY BARREL BLEND 
 Strong, sweet smoke with aromatic tang.
 Perfect for red meats.

COMPETITION BLEND 
 Perfect blend of sweet, savory, and tart.
 Used by many professional grillers.

PECAN BLEND 
 Bold, buttery and smooth flavor.

OAK BLEND 
 Rich and smokey flavor.

CLASSIC BLEND 
 Pecan , Hickory and Mesquite Blend.

NOTE: Always store wood pellets in a dry area. Avoid any contact or exposure to moisture will result in lower heat output or cause the pellets to swell and break apart. Use a moisture proof, resealable tub or bucket for proper storage.

COOKING GUIDELINES

Smoking and grilling styles of cooking can give you different results based on time and temperature. For best results, keep a record of what you cooked, at what temperature, how long you cooked for, and the results. Adjust to your taste for the next time. Practice makes perfect. The culinary art of hot smoking refers to longer cooking times, but results in more natural wood flavor (and a sought-after Pink Ring) on your meats. Higher temperatures result in a shorter cooking time, locking in less smoke flavor.

TIP: For best results, allow time for meats to rest after cooking. This allows the natural juices to migrate back into the meat fiber, giving a much juicier, flavorful cut. Resting times can be as little as 3 minutes and up to 60 minutes, depending on the size of the protein.

COOKING STYLE	HOT SMOKING	ROAST	BAKING (Medium)	GRILL (Medium/High)
Temperature Range	93-135°C / 200-275°F	135-162°C / 275-325°F	162-190°C / 325-375°F	204-215°C / 400-420°F

		APPROXIMATE COOKING TIME		
BEEF	Size	Rare - 54°C / 130°F	Medium - 60°C / 140°F	Well Done - 65°C / 150°F
Rib-eye Roast, boneless	2.26 - 2.72 kg / 5 - 6 lbs.		1½ - 2 hours	
Rib Roast	5.44 - 6.35 kg / 12 - 14 lbs.		2½ - 2¾ hours	
Sausage (fresh)	All sizes			4 - 5 hours
Roast (bone-in)	All sizes	4- 5 Hours		
Ribs	All sizes	Cook until meat pulls from the bone (approx 4 - 6 hours)		
Brisket	7.25 - 3.62 kg / 16 -18 lbs.	Cook until internal temperature reaches 91°C / 195°F		

PORK	Size	Reheat - 60°C / 140°F	Medium - 66°C / 150°F	Well Done - 71°C / 160°F
Ham (cooked)	All sizes	2 - 2¾ hours		
Ham (fresh)	4.53-5.44 kg / 10-12 lbs.			7 - 8 hours
Sausage (fresh)	All sizes			4 - 5 hours
Loin Roast	1.36-1.81 kg / 3 - 4 lbs.		1 - 2 hours	2 - 3 hours
Rib Crown Roast	1.81-2.26 kg / 4 - 5 lbs.		1½ - 2 hours	2 - 3 hours
Boston Butt (Pork Shoulder)	3.62-4.53 kg / 8-10 lbs.			93 - 98°C / 200 - 210°F Internal Temperature
Ribs	All sizes	Cook until meat pulls from the bone (approx 4 - 6 hours)		
Chop (loin, rib)	All sizes	Cook until meat pulls from the bone (approx 4 - 6 hours)		

LAMB	Size	Rare - 54°C / 130°F	Medium - 60°C / 140°F	Well Done - 71°C / 160°F
Roast (fresh)	2.26 - 2.72 kg / 5 - 6 lbs.		5 -6 Hours	

POULTRY	Size	Rare - 54°C / 130°F	Medium - 60°C / 140°F	Well Done - 82°C / 180°F
Turkey (whole)	4.53-5.44 kg / 10-12 lbs.			7 - 8 Hours
Chicken (whole)	All sizes			5 -6 Hours
Drumsticks, Breasts	All sizes			4 -5 Hours
Small Game Birds	All sizes			4 -5 Hours
Duck	1.36-2.26 kg / 3-5 lbs.			5 -6 Hours

CHICKEN	Size	Rare - 54°C / 130°F	Medium - 60°C / 140°F	Well Done - 82°C / 180°F
Whole	All sizes			5 -6 Hours
Drumsticks, Breasts	All sizes			4 -5 Hours

FISH	Size	Rare - 54°C / 130°F	Medium - 60°C / 140°F	Well Done - 82°C / 180°F
Whole	All sizes			2 -3 Hours, until flaky
Filets	All sizes			1 -2 Hours, until flaky

WILD GAME	Size	Rare - 60°C / 140°F	Medium - 71°C / 160°F	Well Done - 77°C / 170°F
Roast (fresh)	2.26 - 2.72 kg / 5 - 6 lbs.		5 -6 Hours	
Large Cuts (fresh)	3.62-4.53 kg / 8-10 lbs.			7 - 8 Hours

TIPS & TECHNIQUES

Follow these helpful tips and techniques, passed on from Pit Boss® owners, our staff, and customers just like you, to become more familiar with your smoker:

1. *FOOD SAFETY*

- Keep everything in the kitchen and cooking area clean. Use different platters and utensils for the cooked meat than the ones you used to prepare or transport the raw meat out to the smoker. This will prevent cross contamination of bacteria. Each marinade or basting sauce should have its own utensil.
- Keep hot foods hot (above 60°C / 140°F), and keep cold foods cold (below 3°C / 37°F).
- A marinade should never be saved to use at a later time. If you are going to use it to serve with your meat, be sure to bring it to a boil before serving.
- Cooked foods should not be left out in the heat for more than an hour. Do not leave hot foods out of refrigeration for more than two hours.
- Defrost and marinade meats by refrigeration. Do not thaw meat at room temperature or on a counter top. Bacteria can grow and multiply rapidly in warm, moist foods. Wash hands thoroughly with hot, soapy water before starting any meal preparation and after handling fresh meat, fish and poultry.

2. *COOKING PREPARATION*

- Be prepared, or **Mise en Place**. This refers to preparing the cooking recipe, fuel, accessories, utensils, and all ingredients you require at your side before you start cooking. Also, read the entire recipe, start to finish, before lighting the smoker.
- A BBQ floor mat is very useful. Due to food handling accidents and cooking splatter, a BBQ floor mat would protect a deck, patio, or stone platform from the possibility of grease stains or accidental spills.

3. *SMOKING TIPS AND TECHNIQUES*

- To infuse more smoke flavor into your meats, cook longer and at lower temperatures (also known as **low and slow**). Meat will close its fibers after it reaches an internal temperature of 49°C / 120°F. Misting, or mopping, are great ways to keep meat from drying out.
- Always use a meat thermometer to determine the internal temperature of the foods you are cooking. Smoking foods with hardwood pellets will turn meats and poultry pink. The band of pink (after cooking) is referred to as a **smoke ring** and is highly prized by outdoor chefs.
- Sugar-based sauces are best applied near the end of cooking to prevent burning and flare-ups.
- Leave open space between the foods and the extremities of the smoke cabinet for proper heat flow. Food on a crowded smoker will require more cooking time.
- Use a set of long-handled tongs for turning meats, and a spatula for softer items like fish and cheese. Using a piercing utensil, such as a fork, will prick the meat and allow the juices to escape.
- Foods in deep casserole dishes will require more time to cook than a shallow baking pan.
- It's a good idea to put cooked food onto a heated platter, keeping the food warm. Red meats, such as tenderloins and roasts, benefit from resting for several minutes before serving. It allows the juices that were driven to the surface by heat to ease back to the center of the meat, adding more flavor.

TROUBLESHOOTING

Proper cleaning, maintenance and the use of clean, dry, quality fuel will prevent common operational problems. When your Pit Boss® smoker is operating poorly, or on a less frequent basis, the following troubleshooting tips may be helpful.

For FAQ, please visit www.pitboss-grills.com. You may also contact your local Pit Boss® authorized dealer or contact Customer Service for assistance.

WARNING: Always disconnect the electrical cord prior to opening the smoker for any inspection, cleaning, maintenance or service work. Ensure the smoker is completely coolLCD to avoid injury.

Problem	Cause	SOLUTION
No Power Lights On The Control Board	Power Button	Press the Power Button. Try another attempt and hold for two seconds to verify connection.
	Not Connected To Power Source, GFCI Outlet Has Tripped	Ensure smoker is plugged into a working power source. Reset breaker. Ensure GFCI is a minimum 10 Amp service (see Electric Wire Diagram for access to electric components). Ensure all wire connections are firmly connected and dry.
	Fuse Blown On The Control Board	Remove cooking components from the main smoke cabinet. Turn the unit onto its side, and remove the screws on the rear side of the Control Board. Check the fuse for a broken wire or if the wire has turned black. If yes, manually replace with a new fuse.
	Faulty Control Board	Control Board needs to be replaced. Contact Customer Service for a replacement part.
Fire In Burn Pot Will Not Light	Auger Not Primed	Before the unit is used for the first time or anytime the hopper is completely emptied out, the auger must be primed to allow pellets to fill the burn pot. If not primed, the igniter will timeout before the pellets ignite. Follow Hopper Priming Procedure .
	Auger Motor Is Jammed	Remove cooking components from the main smoke cabinet. Press the Power Button to turn the unit on, turn Temperature Control Dial to SMOKE, and inspect the auger feed system. Visually confirm that the auger is dropping pellets into the burn pot. If not operating properly, call Customer Service for assistance or a replacement part.
	Igniter Failure	Remove cooking components from the main smoke cabinet. Press the Power Button to turn the unit on, turn Temperature Control Dial to SMOKE, and inspect the igniter. Visually confirm that the igniter is working by placing your hand above the burn pot and feeling for heat. Visually confirm that the igniter is protruding approximately 13mm / 0.5 inches in the burn pot. If not operating properly, follow Manual Start-up Procedure to continue use of smoker; however, call Customer Service for assistance or a replacement part.
Flashing Dots On LCD Screen	The Igniter Is On	This is not an error that effects the unit. Used to show that the unit has power and is in Start-Up mode (igniter is on). The igniter will turn off after five minutes. Once the flashing dots disappear, the unit will begin to adjust to the desired temperature selected.
Flashing Temperature On LCD Screen	Smoker Temperature Is Below 65°C /150°F	This is not an error that effects the unit; however, it is used to show that there is some risk that the fire could go out. Check hopper for sufficient fuel or if there is an obstruction in the feed system. Remove pellets and follow Care and Maintenance instructions. Check grill probe and follow Care and Maintenance instructions if dirty. Check burn pot for ash build-up or obstructions, and follow Care and Maintenance instructions for ash build-up. Check fan. Ensure it is working properly and air intake is not blocked. Follow Care and Maintenance instructions if dirty. Check auger motor to confirm operation (rotation), and ensure there is no blockage in the auger tube.
"ErH" Error Code	The Smoker Has Overheated, Possibly Due To Grease Fire Or Excess Fuel.	Press and hold the Power Button to turn the unit off, and allow smoker to cool. Follow Care and Maintenance instructions. After maintenance, remove pellets, and confirm positioning of all component parts. Once coolLCD, press the Power Button to turn the unit on, then select desired temperature. If error code still displayed, contact Customer Service.
"Er1" Error Code	Grill probe Wire Not Making Connection	Access the electrical components on the base of the unit (see Electric Wire Diagram) and check for any damage to the Grill probe wires. Ensure Grill probe spade connectors are firmly connected, and connected correctly, to the Control Board.

"noP" Error Code	Bad Connection At Connection Port	Disconnect meat probe from connection port on the Control Board, and reconnect. Ensure the meat probe adapter is firmly connected. Check for signs of damage to the adapter end. If still failLCD, call Customer Service for replacement part.
	Meat Probe Damaged	Check for signs of damage to the wires of the meat probe. If damaged, call Customer Service for replacement part.
	Faulty Control Board	Control Board needs to be replaced. Contact Customer Service for a replacement part.
Thermometer Shows Temperature When Unit Off	Smoker Has High Ambient Temperature Or Is In Direct Sun	This will not harm the smoker. The internal temperature of the main cabinet has ambiently reached or exceeded 54°C / 130°F. Move the smoker into a shaded area. Prop the cabinet door open to reduce the internal temperature.
Smoker Will Not Achieve Or Maintain Stable Temperature	Insufficient Air Flow Through Burn Pot	Check burn pot for ash build-up or obstructions. Follow Care and Maintenance instructions for ash build-up. Check fan. Ensure it is working properly and air intake is not blocked. Follow Care and Maintenance instructions if dirty. Check auger motor to confirm operation, and ensure there is no blockage in the auger tube. Once all the above steps have been done, start the smoker, set temperature to SMOKE and wait for 10 minutes. Check that the flame produced is bright and vibrant.
	Lack Of Fuel, Poor Fuel Quality, Obstruction In Feed System	Check hopper to check that fuel level is sufficient, and replenish if low. Should the quality of wood pellets be poor, or the length of the pellets too long, this may cause an obstruction in the feed system. Remove pellets and follow Care and Maintenance instructions.
	Grill probe	Check status of grill probe. Follow Care and Maintenance instructions if dirty. Contact Customer Service for a replacement part if damaged.
Smoker Produces Excess Or Discolored Smoke	Grease Build-Up	Follow Care and Maintenance instructions.
	Wood Pellet Quality	Remove moist wood pellets from hopper. Follow Care and Maintenance instructions to clean out. Replace with dry wood pellets.
	Burn Pot Is Blocked	Clear burn pot of moist wood pellets. Follow Hopper Priming Procedure .
	Insufficient Air Intake For Fan	Check fan. Ensure it is working properly and air intake is not blocked. Follow Care and Maintenance instructions if dirty.
Frequent Flare-Ups	Cooking Temperature	Attempt cooking at a lower temperature. Grease does have a flash point. Keep the temperature under 176°C / 350°F when cooking highly greasy food.
	Grease Build-Up On Cooking Components	Follow Care and Maintenance instructions.

ELECTRICAL WIRE DIAGRAM

The Control Board system is an intricate and valuable piece of technology. For protection from power surges and electrical shorts, consult the wire diagram below to ensure your power source is sufficient for the operation of the unit.

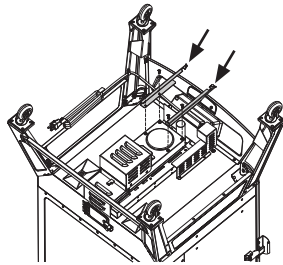
PB – ELECTRIC REQUIREMENTS 110-120 V, 60 Hz, 250 W, 3-PRONG GROUNDED PLUG

NOTE: Electrical components, passed by product safety testing and certification services, comply with a testing tolerance of ± 5-10 percent.

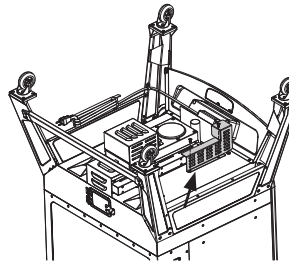
- 1** DISCONNECT POWER SUPPLY BEFORE SERVICE OR MAINTENANCE.



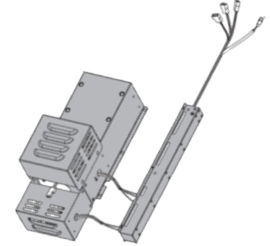
- 2** REMOVE TWO GREASE TRAY BRACKETS FROM UNDERSIDE OF UNIT.



- 3** REMOVE WIRE COMPONENTS HOUSING FROM UNDERSIDE OF UNIT.



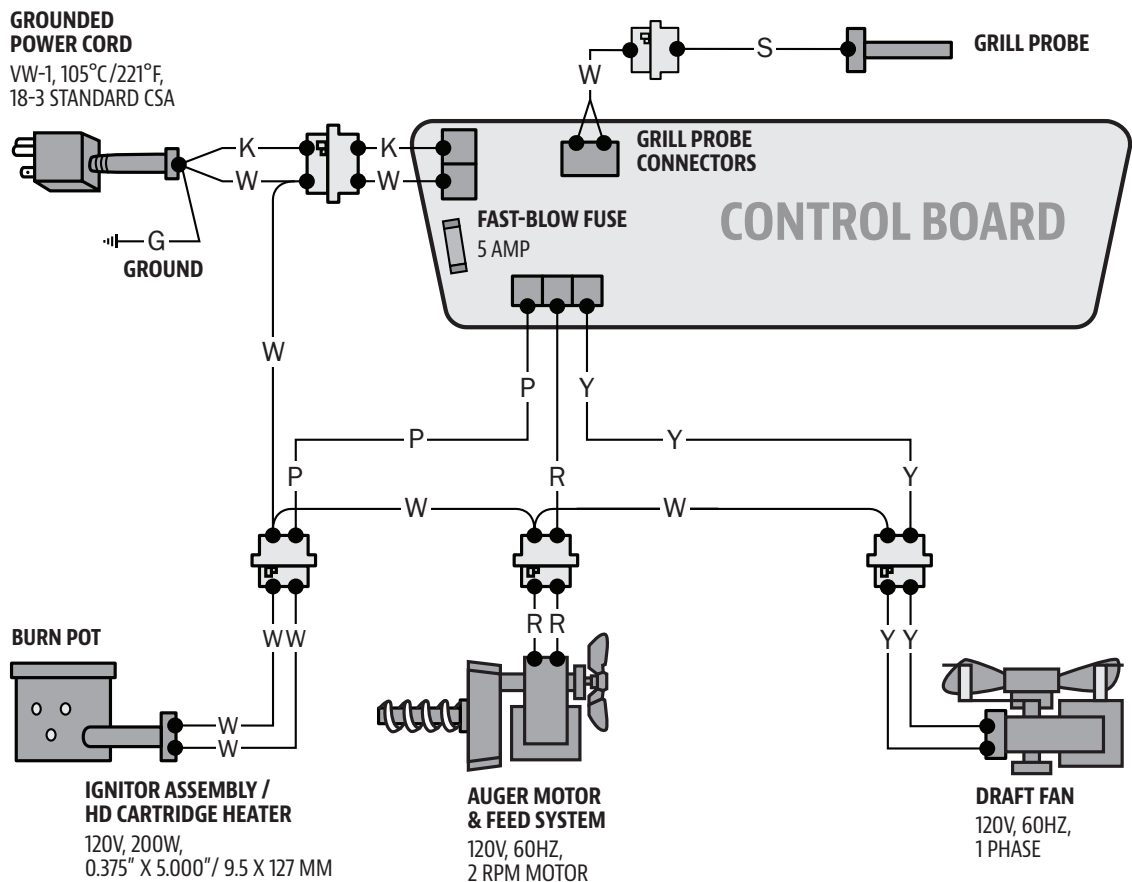
- 4** ACCESS WIRING COMPONENTS LOCATED IN GRILL PROBE HOUSING.



FUEL INPUT RATING:
1.1 KG/H
(2.4 LB/H)

INDEX

W : WHITE
Y : YELLOW
P : PURPLE
R : RED
K : BLACK
S : SILVER

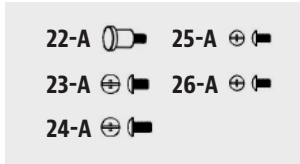
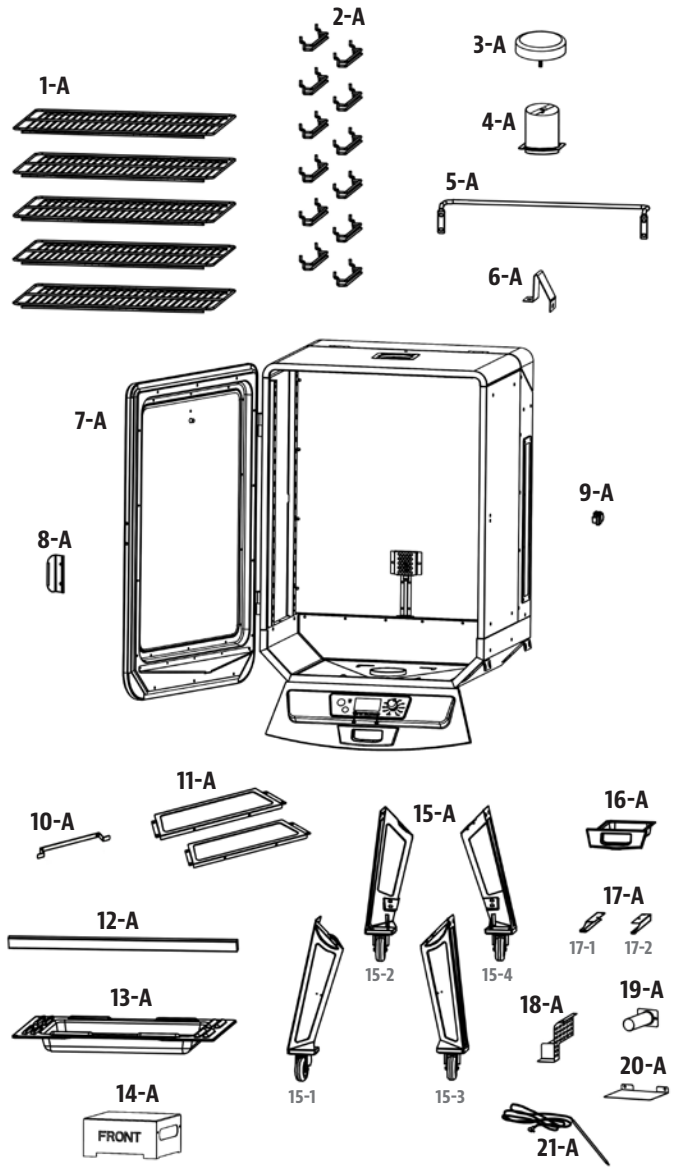


SMOKER REPLACEMENT PARTS

ENGLISH

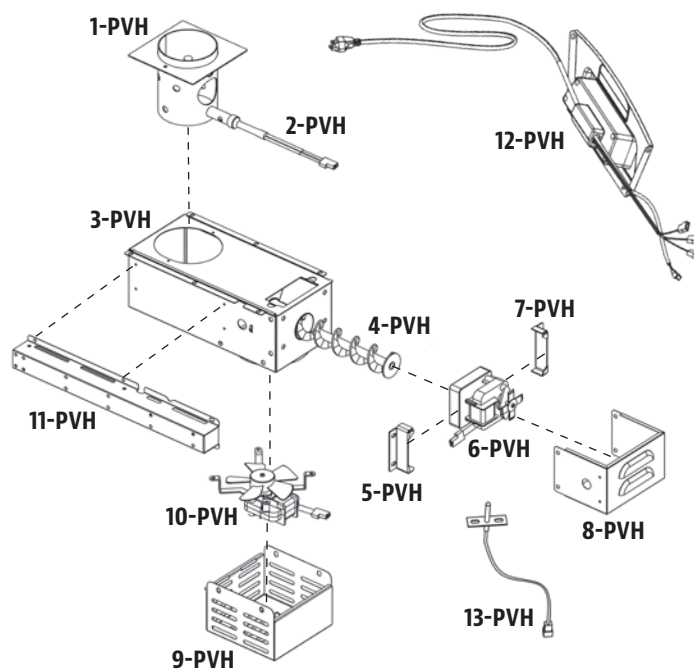
Part#	Description
1-A	Cooking Grids (x5)
2-A	Cooking Grid Support Brackets (x12)
3-A	Chimney Cap (x1)
4-A	Chimney Stack (x1)
5-A	Back Handle (x1)
6-A	Lid Stopper (x1)
7-A	Main Cabinet (x1)
8-A	Cabinet Door Handle (x1)
9-A	Cabinet Door Latch (x1)
10-A	Power Cord Bracket (x1)
11-A	Support Panel (x2)
12-A	Support Bracket (x1)
13-A	Water Pan (x1)
14-A	Flame Tamer (x1)
15-A	Support Leg With Wheel (x4)
16-A	Grease Tray (x1)
17-A	Grease Tray Brackets (x2)
18-A	Wire Components Housing (x1)
19-A	Grease Exhaust Tube (x1)
20-A	Heat Shield (x1)
21-A	Meat Probe (x1)
22-A	Door Knob (x1)
23-A	1/4-20x1/2" Screw (x12)
24-A	1/4-20x5/8" Screw (x4)
25-A	#10-24x1/2" Screw (x34)
26-A	#10-24x1/3" Screw (x2)

NOTE: Due to ongoing product development, parts are subject to change without notice.



ELECTRICAL REPLACEMENT PARTS

Part#	Description
1-PVH	Burn Pot (x1)
2-PVH	Igniter (x1)
3-PVH	Auger Box Housing (x1)
4-PVH	Auger Flighting Assembly (x1)
5-PVH	Auger Motor Left Bracket (x1)
6-PVH	Auger Motor (x1)
7-PVH	Auger Motor Right Bracket (x1)
8-PVH	Auger Motor Housing (x1)
9-PVH	Combustion Fan Housing (x1)
10-PVH	Combustion Fan (x1)
11-PVH	Grill probe Housing (x1)
12-PVH	Control Board (x1)
13-PVH	Grill probe (x1)



ENGLISH

WARRANTY

CONDITIONS

All wood pellet smokers by Pit Boss®, manufactured by Dansons, carry a limited warranty from the date of sale by the original owner. The warranty coverage begins on the original date of purchase and proof of date of purchase, or copy of original bill of sale, is required to validate the warranty. Customers will be subject to parts, shipping, and handling fees if unable to provide proof of the purchase or after the warranty has expired.

Dansons carries a five (5) year warranty against defects and workmanship on all parts, and five (5) year on electrical components. Dansons warrants that all part(s) are free of defects in material and workmanship, for the length of use and ownership of the original purchaser. Warranty does not cover damage from wear and tear, such as scratches, dents, dings, chips or minor cosmetic cracks. These aesthetic changes of the smoker do not affect its performance. Repair or replacement of any part does not extend past the limited warranty beyond the five (5) year from date of purchase.

During the term of the warranty, Dansons' obligation shall be limited to furnishing a replacement for defective and/or failLCD components. As long as it is within the warranty period, Dansons' will not charge for repair or replacement for parts returned, freight prepaid, if the part(s) are found by Dansons' to be defective upon examination. Dansons' shall not be liable for transportation charges, labor costs, or export duties. Except as provided in these conditions of warranty, repair or replacement of parts in the manner and for the period of time mentioned heretofore shall constitute the fulfillment of all direct and derivate liabilities and obligations from Dansons to you.

Dansons takes every precaution to utilize materials that retard rust. Even with these safeguards, the protective coatings can be compromised by various substances and conditions beyond Dansons' control. High temperatures, excessive humidity, chlorine, industrial fumes, fertilizers, lawn pesticides and salt are some of the substances that can affect metal coatings. For these reasons, the warranty does not cover rust or oxidization, unless there is loss of structural integrity on the smoker component. Should any of the above occur, kindly refer to the care and maintenance section to prolong the lifespan of your unit. Dansons recommends the use of a cover when the smoker is not in use.

This warranty is based on normal domestic use and service of the smoker and neither limited warranty coverage's apply for a smoker which is used in commercial applications.

EXCEPTIONS

There is no written or implied performance warranty on Pit Boss® smokers, as the manufacturer has no control over the installation, operation, cleaning, maintenance or the type of fuel burned. This warranty will not apply nor will Danson's assume responsibility if your appliance has not been installed, operated, cleaned and maintained in strict accordance with this owner's manual. Any use of gas not outlined in this manual may void the warranty. The warranty does not cover damage or breakage due to misuse, improper handling or modifications.

Neither Danson's, or authorized Pit Boss® dealer, accepts responsibility, legal or otherwise, for the incidental or consequential damage to the property or persons resulting from the use of this product. Whether a claim is made against Danson's based on the breach of this warranty or any other type of warranty expressed or implied by law, the manufacturer shall in no event be liable for any special, indirect, consequential or other damages of any nature whatsoever in excess of the original purchase of this product. All warranties by manufacturer are set forth herein and no claim shall be made against manufacturer on any warranty or representation.

Some states do not allow the exclusion or limitation of incidental or consequential damages, or limitations of implied warranties, so the limitations or exclusions set forth in this limited warranty may not apply to you. This limited warranty gives you specific legal rights and you may have other rights, which vary from state to state.

ORDERING REPLACEMENT PARTS

To order replacement parts, please contact your local Pit Boss® dealer or visit our online store at: www.pitboss-grills.com

CONTACT CUSTOMER CARE

If you have any questions or problems, contact Customer Care.

USA: (480) 923-9630 | Canada (Toll Free): 1-877-942-2246

WARRANTY SERVICE

Contact your nearest Pit Boss® dealer for repair or replacement parts. Danson's requires proof of purchase to establish a warranty claim; therefore, retain your original sales receipt or invoice for future reference. The serial and model number of your Pit Boss® can be found on the back of the unit. Record numbers below as the label may become worn or illegible.

MODEL


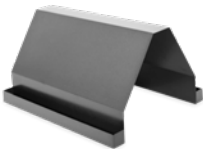
SERIAL NUMBER







DATE OF PURCHASE

AUTHORIZED DEALER

ACCESSORIES SOLD SEPARATELY

Available for purchase separately. Accessories not available and supplied by all authorized Pit Boss® dealers.

ITEM	DESCRIPTION
	COVER Form-fitting, full length cover. Heavy-duty polyester with PVC backing for long-term use. Weatherproof. Includes draw-string lock for easy tightening.
	BARBECUE FLOOR MAT Easy clean, UV protected. Protection for your deck. 132cm x 86cm / 52" x 34"
	3-PIECE TOOL SET From preparation to presentation, you are covered with these barbecue basics. Dishwasher safe. Stainless steel.
	ROCKING PIZZA CUTTER Rock the blade side to side to cut, ensuring everything stays where it belongs. Hand wash. Stainless steel.
	3-IN-1 BURGER PRESS Craft exquisite classic burgers and sliders, or go all out and build mouth-watering stuffed creations. Dishwasher safe. Plastic.
	BACON RACK Grease troughs catch all of the bacon grease, preventing flare ups and ensuring perfectly cooked bacon every time. Dishwasher safe. Non-stick coating.
	DEFROSTING TRAY Speed up the thawing process without the use of a microwave. Thaw your food in half the time using the cast aluminum makeup of the tray. Hand wash. Cast aluminum.

ITEM	DESCRIPTION
	GRILLING APRON Adjustable apron with double front pockets for grilling tools. One size. Machine washable.
	GRILL GLOVE Handle cast iron pots and pans without hesitation. Withstands extreme temperature of up to 475°F (246 °C).
	SIGNATURE SAUCES A collection of gourmet sauces to use as glaze, dip, or condiments to the natural flavors of your food.
	SIGNATURE SPICES A collection of gourmet seasonings to prepare and enhance the natural flavors of your food.
	MEAT PROBE When connected, the temperature of food is displayed by the control board.
	LCD FLEXIBLE GRILL LIGHT Featuring 9 LCD bulbs, a clamp on design, and a 12" bendable neck that allows you to adjust for maximum visibility. 3x AAA batteries required. Batteries not included

RECIPES

SMOKED HALIBUT

Makes 4 Servings

Suggested Wood Pellet Flavor: Hickory / Cherry / Mesquite

Ingredients:

900g / 2 lbs Halibut Filets
125 ml / ½ c. Butter
15 ml / 1 tbsp Fresh Dill

Instructions:

1. Wash filet thoroughly in cold water and lay on paper towel until water is not visible.
2. Melt a whole stick of butter and sprinkle a liberal amount of fresh dill in the melted butter. Lay filets on aluminum foil and fold a lip around edges to contain the butter. With a basting brush, brush melted butter and dill mixture on both sides of the fish filet.
3. **Preheat smoker, then adjust to 107°C / 225°F.**
4. Place fish in the smoker. Check the filets every 15 minutes for visible moist look on filets. Brush with butter and dill mix when needed. Fish should start to flake in about 45 minutes.
5. When fish flakes very easily, take out of smoker and serve.

SMOKED CORNISH HENS

Makes 4 Servings

Suggested Wood Pellet Flavor: Mesquite / Hickory / Competition

Ingredients:

4 whole Cornish Game Hens
750 ml / 3 c. Mandarin Rice
15 ml / 1 tbsp Olive Oil
5 ml / 1 tsp Smoked Paprika
250 ml / 1 c. Orange Marmalade

Instructions:

1. **Preheat smoker, then adjust to 135-177°C / 275-350°F.**
2. Rinse Cornish hens and pat dry with paper towel. Brush Cornish hens lightly with olive oil, and sprinkle with paprika.
3. Place Cornish hens in smoker. Smoke for 45 to 60 minutes, until the drumstick meat is tender when pressed.
4. Baste with orange marmalade during last 20 minutes of cooking time. Remove from smoker and arrange on serving platter.

How-to make: CHICKEN GRAVY

If you want to catch the drippings to make gravy, place the turkey on a rack inside a large aluminum foil roast pan. Add 0.6 cm / ¼" of water or broth and some seasoning into the bottom of the pan. Monitor the juices, as you may need to add more during the cooking period.

SMOKED BEEF BRISKET

Makes 4 - 6 Servings

Suggested Wood Pellet Flavor: Hickory / Competition

A whole beef brisket weighs 7.25-3.62 kg / 16-18 pounds and has three separate parts: the cap, the point, and the flat. Use the flat section, as it is lean, compact, and creates nice slices when carved.

Ingredients:

1 Beef Brisket
2.2-3.6 kg / 5-8 lbs,
Layer of fat is at least 0.6 cm / ¼" thick
1 bottle Prepared Yellow Mustard
75 ml / 5 tbsp Seasoning
1 bottle Chili Sauce
1 pack Dry Onion Soup Mix
375 ml / 1 ½ c. Beef Broth
40 ml / 8 tsp Black Pepper

Instructions:

1. Lay out a large piece of plastic wrap on your working station. Large enough to encase the brisket. Using a sharp knife, cut a single cut on the underside of the brisket against the grain. This will aid in slicing the finished brisket, against the grain which results in a tender, melt-in-your-mouth cut. The underside is the non-fat cap side. Slather on a generous amount of prepared mustard. Rub lightly onto the entire area. Sprinkle a generous amount of seasoning onto the mustard, then again light rub into the meat. Flip the brisket over and repeat the process. Wrap the prepared brisket in the plastic wrap and refrigerate 2 to 4 hours, or overnight.
2. Prepare the basting mixture. Mix the chili sauce, dry onion soup mix, beef broth, and black pepper. Set aside.
3. **Preheat smoker, then reduce to 82-107°C / 180-225°F.**
4. Place the brisket, fat side up, in the center of the smoker. Close the cabinet door. Hot smoke until tender, about 10 to 12 hours. Baste the brisket with the basting mixture every half hour for the first 3 hours.
5. Continue the slow smoking process until the internal temperature reaches 60-66°C / 140-150°F. Remove from smoker. **Turn smoker up to 176°C / 350°F.**
6. Place the brisket into a pouch of double-layered aluminum foil. Pour 50 ml / ¼ cup of basting mixture over the brisket in the pouch. Close the pouch shut.
7. Lay foil pouch carefully on the smoker. Steam for 1 to 1 ½ hours.
8. Open the pouch, and use a meat thermometer; internal temperature should reach 91°C / 195°F. The brisket should be firm but be able to pull the meat apart with your fingers.
9. Transfer the meat to a cutting board, and let it rest for 10 minutes. Thinly slice across the grain to serve.

SMOKED PRIME RIB ROAST

Makes 6 - 8 Servings

Suggested Wood Pellet Flavor: Hickory / Pecan / Competition

Ingredients:

2 lbs	Beef Prime Rib Roast
	<small>0.9 kg / 2 lbs</small>
10 cloves	Garlic (minced)
45 ml / 2 tbsp	Seasoning
10 ml / 2 tsp	Salt
10 ml / 2 tsp	Pepper

Instructions:

1. **Preheat smoker, then adjust to 135°C / 275°F.**
2. With the fat-side of the meat facing up, tie one end of string or twine firmly around one side of the roast. Continue to loop and tie the rest of the roast, making an attractive presentation.
3. Thoroughly wash the roast and pat dry with paper towel.
4. Liberally, season the entire roast with garlic, salt, pepper, and seasoning. Let the roast sit for 10 minutes so seasoning adheres.
5. Place roast in smoker. Smoke for 45 to 60 minutes, until the internal temperature has reached 51°C / 125°F. Use a meat probe to best monitor the middle of the roast.
6. Carefully, remove roast from smoker and cover with foil. The meat will continue to rise by another 3°C / 5°F to a final product of 54°C / 125°F to a perfect medium rare. Let the meat rest for 10 minutes before slicing.

SMOKED RIBS

Makes 4 - 6 Servings

Suggested Wood Pellet Flavor: Hickory / Apple / Competition

Ingredients:

1.3-1.8 kg / 3-4 lbs	Ribs
	<small>Meaty pork spare ribs / loin back ribs</small>
5 ml / 1 tsp	Salt
5 ml / 1 tsp	Pepper

Instructions:

1. **Preheat smoker, then reduce to 82-107°C / 180-225°F.**
2. Take ribs out of wrapper and drain all liquid off of the ribs and then wash in cold water.
3. Place on cutting board and cut away any excess fat or skin from the bottom of ribs. Turn ribs with bone side up. Prepare ribs by peeling off the tough layer of skin (membrane) on the back side. Season the ribs with salt and pepper, to taste.
4. Place rib bone side down in smoker.
5. After one hour, turn the rib over with bone side up and cook for one hour. After 2 1/2 hours, depending on the color of the rib you like, pour a one inch wide strip of your favorite BBQ sauce down the length of the rib and wrap tightly in aluminum foil. Place back in smoker and check every 15 to 20 minutes to see if the rib bones separate by using your finger to pull them apart. If they

pull apart with ease your ribs are done; internal temperature of your ribs should be at 170°F.

6. Take out of smoker and let stand on serving platter until cool enough to eat.

Variation: MEMPHIS-DRY METHOD

Turn smoker up to maximum temperature (204°C / 400°F). Place ribs back on the smoker and season with a dry seasoning or rub for 5-8 minutes. Remove from smoker and serve.

SMOKED STUFFED PORK TENDERLOIN

Makes 4 - 8 Servings

Suggested Wood Pellet Flavor: Apple / Hickory / Cherry

Ingredients:

1 whole	Pork Tenderloin
	<small>3.6 kg / 8 lbs</small>
1 jar	Salsa
15 ml / 1 tbsp	Chili Powder
15 ml / 1 tbsp	Brown Sugar
5 ml / 1 tsp	Smoked Paprika
45 ml / 3 tbsp	Honey (warmed)
Pinch	Ground Cinnamon

Instructions:

1. **Preheat smoker, then adjust to 107-135°C / 225-275°F.**
2. Remove the pork tenderloin from packaging, rinse with cold water and pat the exterior dry with paper towel.
3. Place a piece of plastic wrap on a cutting board, then place the pork tenderloin on top and cut the meat $\frac{3}{4}$ of the way through. Open the pork loin so it lays flat, and place a second piece of plastic wrap on top. Use a meat tenderizer or rolling pin to pound the meat until flattened.
4. Arrange salsa down center of pork tenderloin. Fold in the sides and roll-up the pork tenderloin (like a cinnamon bun) carefully to distribute salsa evenly. Using twine, tie the pork tenderloin at both ends and the middle to secure.
5. In a bowl, combine the chili powder, brown sugar, smoked paprika, and ground cinnamon. Mix well. Brush the pork tenderloin with the warmed honey. Sprinkle the mixture over the entire tenderloin.
6. When the pork is fully coated, place inside the smoker. Smoke the tenderloin for 2 1/2 to 3 hours, or until the internal temperature of pork has reached 62°C / 145°F.
7. Take out of smoker, slice and serve immediately.

SMOKED CHICKEN

Makes 2 - 6 Servings

Suggested Wood Pellet Flavor: Hickory / Apple / Competition

Ingredients:

1 whole Chicken
1.8-2.7 kg / 4-6 lbs
45 ml / 3 tbsp Seasoning or Rub

Instructions:

- 1. Preheat smoker, then adjust to 107-135°C / 225-275°F.**
- Take chicken parts out of package and wash thoroughly and place on paper towel to dry.
- Sprinkle seasoning or rub on both sides of chicken parts.
- Place chicken in smoker, breast side up. After 30 minutes, turn chicken over. With your meat probe, check the internal temperature by pushing grill probe into the meat nearest the bone. When internal temperature reaches 82°C / 180°F, the chicken is done.

TIP: You may brush your favorite BBQ sauce on the chicken during the last 15 minutes of your cooking process to heat it up.

- Using tongs, carefully remove the chicken from the smoker. Let rest for five minutes. Carve chicken and serve.

Variation: FLAVORED MARINADE IN WATER PAN

Use the same instructions as above, but substitute half the water in the water pan with a can of your favorite non-diet cola, fruit juice, or water with additional seasoning.

SMOKED SAUSAGE WITH MANGO CHUTNEY

Makes 4 - 6 Servings

Suggested Wood Pellet Flavor: Hickory / Apple / Competition

Ingredients:

0.9 kg / 2 lbs Italian Sausage (hot or mild)
2 whole Mangoes (finely chopped)
10 ml / 2 tsp Fresh Parsley (minced)
15 ml / 1 tbsp Red Pepper (diced)
10 ml / 2 tsp Honey
½ Red Onion (diced)
½ bulb Fennel (diced)
5 ml / 1 tsp Lime Juice
Pinch Salt

Instructions:

- 1. Preheat smoker, then reduce to 82-107°C / 180-225°F.**
- Place sausages on cooking grids, spaced evenly apart. Smoke for 25-30 minutes until cooked.
- Combine all remaining ingredients to make the chutney. Chill until ready to serve.
- Remove sausages from smoker. Slice sausage diagonally, then serve with side of chutney.

WHOLE SMOKED TURKEY

Feeds a small army - leftovers are great!

Suggested Wood Pellet Flavor: Hickory / Cherry / Competition

Ingredients:

1 whole Turkey (thawed)
9-11.3 kg / 20-25 lbs
60 ml / 4 tbsp Seasoning or Rub
5 ml / 1 tsp Smoked Paprika
45 ml / 3 tbsp Butter

Instructions:

- 1. Preheat smoker, then adjust to 135-177°C / 275-350°F.**
- Remove the turkey neck and giblets. Rinse turkey thoroughly and pat the exterior dry with paper towel.
- In a small bowl, mix butter, ¼ of the seasoning and paprika together to form a paste. Gently insert your hand between the outer skin and the breast meat. Rub paste into the meat.
- With the remaining seasoning, rub the outer surface of the turkey.
- Place turkey, breast side up, in center of smoker, and smoke until turkey is tender and golden brown; internal temperature should reach 82°C / 180°F in the thickest part of the thigh and 77°C / 170°F in the breast.
- Remove turkey, cover with foil and let rest for 10 minutes before carving.

How-to make: TURKEY GRAVY

If you want to catch the drippings to make gravy, place the turkey on a rack inside a large aluminum foil roast pan. Add 0.6 cm / ¼" of water or broth and some seasoning into the bottom of the pan. Monitor the juices, as you may need to add more during the cooking period.

INFORMATIONS DE SÉCURITÉ

LES CAUSES MAJEURES DES INCENDIES D'APPAREILS SONT LE RÉSULTAT D'UN MAUVAIS ENTRETIEN ET D'UN DÉFAUT DE MAINTENIR LE DÉGAGEMENT REQUIS POUR LES MATÉRIAUX COMBUSTIBLES. IL EST D'UNE IMPORTANCE CRUCIALE QUE CE PRODUIT SOIT UTILISÉ SEULEMENT CONFORMÉMENT AUX INSTRUCTIONS SUIVANTES.

Veillez lire et comprendre ce manuel avant d'assembler, d'utiliser ou d'installer le produit. Cela vous assurera de profiter au mieux et sans soucis de votre nouveau gril à granulés de bois. Nous vous conseillons également de conserver ce manuel pour référence ultérieure.

DANGERS ET AVERTISSEMENTS

Vous devez communiquer avec votre municipalité, vos autorités locales en matière de feu ou de construction ou toute autre autorité compétente afin d'obtenir les permis nécessaires, la permission ou des renseignements sur toutes les restrictions d'installation, y compris ceux relatifs à l'installation d'un gril sur une surface combustible, aux règles d'inspection ou encore aux permis d'utilisation dans votre région.

1. Un dégagement minimum de 305 mm (12 pouces) des constructions combustibles sur les côtés du fumeur et 305 mm (12 pouces) de l'arrière du fumeur aux constructions combustibles doit être maintenu. **Ne pas installer l'appareil sur des planchers combustibles ou des planchers protégés par des surfaces combustibles à moins que des permis et autorisations adéquates n'aient été obtenus par les autorités compétentes.** Ne pas utiliser cet appareil à l'intérieur d'un espace clos et non ventilé, à l'intérieur d'une maison, d'un véhicule, d'une tente ou d'un garage. Cet appareil à granulés de bois ne doit pas être placé sous un plafond ou un surplomb combustible. Gardez votre fumeur dans une zone dégagée et exempte de matières combustibles, d'essence et d'autres vapeurs et liquides inflammables

En cas d'incendie de graisse, éteignez le fumeur et laissez le couvercle fermé jusqu'à ce que le feu soit éteint. Ne pas débrancher la fiche d'alimentation. Ne pas jeter d'eau dessus. Ne pas essayer d'étouffer le feu. L'utilisation d'un extincteur approuvé toutes classes (classe ABC) est précieuse à conserver sur place. Si un incendie non contrôlé se produit, appelez les pompiers.

2. Gardez les cordons d'alimentation électrique et le tuyau d'alimentation en carburant loin des surfaces chauffées. NE PAS utiliser votre gril sous la pluie ou autour d'une source d'eau.
3. Après une période de stockage ou de non-utilisation, vérifiez qu'il n'y a ni obstruction de la grille ni blocage de l'air au niveau de la trémie. Nettoyer avant utilisation. **Si le fumeur est stocké à l'extérieur pendant la saison des pluies ou les saisons à forte humidité, toutes les précautions doivent être prises pour que de l'eau ne pénètre pas dans la trémie.** Lorsqu'elles sont mouillées ou exposées à une humidité élevée, les granulés de bois se dilatent considérablement, se décomposent et peuvent obstruer le système d'alimentation. Vous devez toujours débrancher le fumeur avant d'effectuer tout service ou entretien.

Ne portez pas votre fumeur quand il est utilisé ou chaud. Assurez-vous que le feu est complètement éteint et que le fumeur est complètement refroidi avant de déménager.

4. Il est recommandé d'utiliser des gants de barbecue résistants à la chaleur ou des gants lors de l'utilisation du fumeur. N'utilisez PAS d'accessoires qui ne sont pas conçus pour être utilisés avec cet appareil. NE placez PAS de couvercle de barbecue ou autre matière inflammable dans l'espace de stockage situé sous le barbecue.
5. Pour éviter toute blessure ou endommagement de la vis d'alimentation, l'appareil comporte un écran de sécurité de la trémie métallique. Cet écran NE DOIT PAS être retiré sauf indication contraire du service à la clientèle ou d'un fournisseur de service autorisé.

Cet appareil n'est pas conçu pour être utilisé par des enfants, des personnes à capacités physiques, sensorielles ou intellectuelles réduites ou sans expérience ni connaissances, à moins qu'elles soient surveillées directement par une personne responsable de leur sécurité.

- Certaines parties du fumeur peuvent être très chaudes et entraîner des blessures graves. Tenir hors de portée des jeunes enfants et des animaux domestiques lors de l'utilisation.
- Ne pas élargir les orifices de la grille de combustion, des trous de l'allumeur ou des pots de combustion. Le non-respect de cet avertissement pourrait entraîner un risque d'incendie et des dommages corporels et annulera votre garantie.
- Le produit peut avoir des bords ou des points pointus. Le contact peut entraîner des blessures. Manipuler avec soin.

ÉLIMINATION DES CENDRES

Les cendres devraient être déposées dans un contenant métallique avec couvercle hermétique. Le contenant fermé de cendres devrait être placé sur un plancher non combustible ou sur le sol, loin de toute matière combustible en attendant leur élimination définitive. Lorsque les cendres sont disposées par enterrement dans le sol, ou dispersées localement, elles doivent être conservées dans un récipient fermé jusqu'à ce que toutes les cendres aient été complètement refroidies.

COMBUSTIBLE GRANULES DE BOIS

Cet appareil de cuisson à granules est conçu et approuvé uniquement pour le bois aggloméré, entièrement naturel. Tout autre type de consommation de carburant dans cet appareil annulera la garantie et la norme de sécurité. Vous devez uniquement utiliser les pastilles de bois naturelles, conçues pour brûler dans les grils de bbq à pastilles. Ne pas utiliser de carburant avec des additifs. Les granulés de bois sont très sensibles à l'humidité et doivent toujours être stockés au sein d'un récipient hermétique. Si vous stockez votre gril, sans l'utiliser, pendant une période prolongée, nous vous recommandons de retirer tous les granulés de la trémie et de la vis sans fin de votre gril, afin d'éviter les bourrages. Le pouvoir calorifique moyen des granulés se situe entre 5,17 et 5,67 kWh/kg, avec un taux de cendre < 1 %.

N'utilisez pas de pierre de lave, de morceaux de bois, de charbon de bois, d'alcool, d'essence, d'essence, de briquet ou de kérosène pour allumer ou refroidir un feu sur votre fumeur.

Au moment de l'impression de ce manuel, il n'y a pas de norme industrielle pour les granulés de bois de barbecue, bien que la plupart des usines de granulés utilisent les mêmes normes pour fabriquer des granulés de bois à usage domestique. Vous trouverez plus d'informations sur www.pelletheat.org ou sur *Pellet Fuel Institute*.

Contactez votre revendeur local au sujet de la qualité des granulés dans votre région et pour des informations sur la qualité de la marque. Comme il n'y a pas de contrôle sur la qualité des pastilles utilisées, nous n'assumons aucune responsabilité à l'égard des dommages causés par une mauvaise qualité du carburant.

CRÉOSOTE

La créosote, ou la suie, est une substance semblable à celle du goudron. Lors de la combustion, il produit de la fumée noire avec un résidu qui est également de couleur noire. La suie ou la créosote est formée lorsque l'appareil fonctionne incorrectement, par exemple: position incorrecte de la grille de combustion, blocage du ventilateur de combustion, défaut de nettoyage et entretien de la zone de combustion ou mauvaise combustion air-carburant.

Il est dangereux de faire fonctionner cet appareil si la flamme devient sombre, de suie, ou si le pot de combustion est trop rempli de granulés. Lorsqu'elle est enflammée, cette accumulation de créosote produit un feu extrêmement vif et non maîtrisé, similaire à un feu de graisse. Dans ce cas, éteignez l'appareil, laissez-le refroidir complètement, puis inspectez-le pour l'entretien et le nettoyage. Il s'accumule généralement le long des zones d'échappement.

Si de la créosote s'est accumulée dans l'unité, laissez l'unité se réchauffer à basse température, éteignez l'appareil, puis essuyez toute formation à l'aide d'une serviette à main. À l'instar du goudron, il est beaucoup plus facile de nettoyer au chaud, car il devient liquide.

LE MONOXYDE DE CARBONE (« LE TUEUR SILENCIEUX »)

Le monoxyde de carbone est un gaz incolore, inodore et sans goût produit par la combustion des gaz, du bois, du propane, du charbon ou d'autres combustibles. Le monoxyde de carbone réduit la capacité du sang à transporter l'oxygène. Les faibles niveaux d'oxygène sanguin peuvent entraîner des maux de tête, des étourdissements, des faiblesses, des nausées, des vomissements, de la somnolence, de la confusion, de la perte de conscience ou la mort. Suivez les directives suivantes pour empêcher ce gaz incolore et inodore de vous empoisonner ainsi que votre famille et les autres :

- Consultez un médecin si vous ou les autres développez des symptômes similaires à un rhume ou la grippe quand vous cuisinez ou quand vous vous trouvez à proximité de l'appareil. L'empoisonnement au monoxyde de carbone, qui peut facilement être confondu avec le rhume ou la grippe, est souvent détecté trop tard.
- La consommation d'alcool et de drogues augmentent les effets de l'empoisonnement au monoxyde de carbone.

Le monoxyde de carbone est particulièrement toxique pour la mère et l'enfant pendant la grossesse, pour les nourrissons, les personnes âgées, les fumeurs et les personnes souffrant de problèmes de circulation sanguine ou du système circulatoire, tels que l'anémie ou les maladies cardiaques.

LISTE DE SÉCURITÉ

Conformément aux procédures et spécifications homologuées dans UL SUBJECT 2728-2009 « Appareils de cuisson à combustible à granulés » et ULC/ORD-C2728-13 « pour les caractéristiques électriques d'équipement de combustion de carburant ». Les appareils de cuisson à granulés de Pit Boss® ont été testés indépendamment et classés par Intertek (un laboratoire d'essai accrédité) aux normes ETL, UL, ULC et CSA.



AVIS SUR LES DROITS D'AUTEUR

Droit d'auteur 2021. Tous droits réservés. Nulle partie de ce manuel ne peut être reproduite, transmise, transcrite ou stockée dans un système de recherche de quelque façon que ce soit sans l'autorisation préalable écrite de,

Dansons

3411 North 5th Avenue, Suite 500, Phoenix, AZ, USA 85013

www.pitboss-grills.com

Service à la clientèle

États-Unis: (480) 923-9630

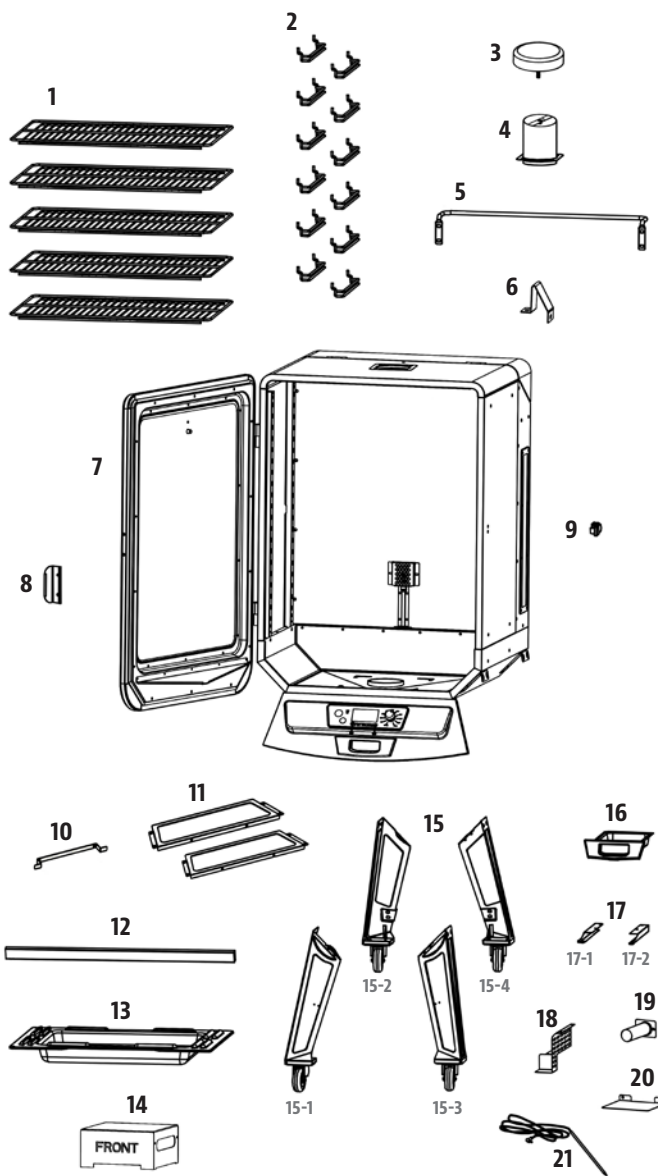
Canada (sans frais): 1-877-942-2246

TABLE DES MATIÈRES

Informations de sécurité	31	Entretien et maintenance	48
Pièces et spécifications	35	Utilisation du combustible en granulés de bois	50
Préparation de l'assemblage	36	Lignes directrices pour la cuisine	50
Instructions d'assemblage		Conseils et techniques	52
Montage des pieds de support sur l'armoire principale	36	Dépannage	53
Fixer correctement le panneau de commande aux pieds de support	36	Diagramme de fil électrique	55
Montage des panneaux de support	37	Pièces de rechange	
Fixation de la barre d'appui	37	Pièces de rechange du fumoir	56
Montage du tube d'évacuation des graisses	37	Pièces de rechange électriques	57
Attacher l'écran thermique	37	Garantie	
Montage du support du cordon d'alimentation	38	Conditions	57
Fixer les supports du plateau à graisse	38	Exceptions	58
Placer le plateau à graisse	38	Commande de pièces de remplacement	58
Fixer le bouton de la porte de nettoyage de la trémie	39	Appelez le service à la clientèle	58
Montage de la poignée arrière	39	Service de garantie	58
Sécurisation de la cheminée	39	Accessoires vendus séparément	59
Montage du bouchon du couvercle	39	Recettes	60
Fixation de la poignée et du loquet de la porte d'armoire	40		
Installation des composants de cuisson	40		
Connexion à une source d'alimentation	41		
Instructions d'utilisation			
Environnement du fumoir	42		
Gammes de température du fumoir	43		
Comprendre le tableau de contrôle	44		
Comprendre les sondes	45		
Procédure d'amorçage de la trémie	45		
Première utilisation – gril « burn off »	46		
Procédure de démarrage automatique	46		
Procédure de démarrage manuelle	47		
Éteindre votre gril	47		

PIÈCES ET SPÉCIFICATIONS

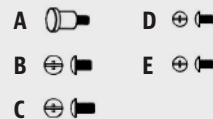
No.	Description
1	Grilles de cuisson (x5)
2	Supports de la grille de cuisson (x12)
3	Capuchon de cheminée (x1)
4	Sortie de la cheminée (x1)
5	Poignée arrière (x1)
6	Bouchon du couvercle (x1)
7	Armoire principale (x1)
8	Poignée de porte d'armoire (x1)
9	Crochet de verrouillage de la porte d'armoire (x1)
10	Support de cordon d'alimentation (x1)
11	Panneaux de support (x2)
12	Barre d'appui (x1)
13	Réservoir d'eau (x1)
14	Réducteur de flamme (x1)
15	Pied de support avec roue (x4)
16	Plateau à graisse (x1)
17	Supports du plateau à graisse (x2)
18	Boîtier des câbles (x1)
19	Tube d'évacuation des graisses (x1)
20	Écran thermique (x1)
21	Sonde thermique (x1)
A	Bouton de porte (x1)
B	Vis ¼-20x½ po (x12)
C	Vis ¼-20x⅝ po (x4)
D	Vis #10-24x½ po (x34)
E	Vis #10-24x⅓ po (x2)



REMARQUE : En raison du développement continu du produit, les pièces peuvent être modifiées sans préavis. Contactez le service clientèle si des pièces manquent lors de l'assemblage de l'appareil.

PB – EXIGENCES ÉLECTRIQUES

110-120 V, 60 Hz, 250 W, FICHE À 3 BROCHES AVEC MISE À LA TERRE



MODÈLE	APPAREIL ASSEMBLÉE (WxHxD)	POIDS DE APPAREIL	SURFACE DE CUISSON	PLAGE DE TEMPÉRATURE
PB PBV5P1	734 X 1 350 X 709 MM / 28,8 X 53,1 X 27,9 PO	58,0 KG /127,0 LB	CUISINE CUBIQUE : 0,13 M3 / 4,6 PD ³ TOTAL - 9 762 CM ² / 1 513 PO ²	65-215 °C / 150-420 °F

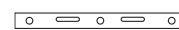
PRÉPARATION DE L'ASSEMBLAGE

Les pièces sont situées dans tout le carton d'expédition, y compris sous le gril. Inspectez l'unité, les pièces et l'emballage de matériel après avoir retiré de l'emballage de protection en carton. Jetez tous les matériaux d'emballage situés à l'intérieur et à l'extérieur du gril avant l'assemblage, puis examinez et inspectez toutes les pièces en vous référant à la liste des pièces. En cas de pièce manquante ou endommagée, ne tentez pas d'assembler. Les dommages lors de l'expédition ne sont pas couverts par la garantie. Contactez votre revendeur ou le service à la clientèle de Pit Boss® pour les pièces.

États-Unis : (480) 923-9630 | Canada (sans frais) : 1-877-942-2246
www.pitboss-grills.com

IMPORTANT : Pour faciliter l'installation, être deux personnes est utile (mais pas nécessaire) lors de l'assemblage de cet appareil.

Outils nécessaires pour l'assemblage : tournevis et niveau d'eau. *Outils non inclus.*



INSTRUCTIONS D'ASSEMBLAGE

REMARQUE : Pour toutes les étapes suivantes, ne pas serrer complètement les vis jusqu'à ce que toutes les vis de cette étape aient été installées.

1. MONTAGE DES PIEDS DE SUPPORT SUR L'ARMOIRE PRINCIPALE

Pièces nécessaires :

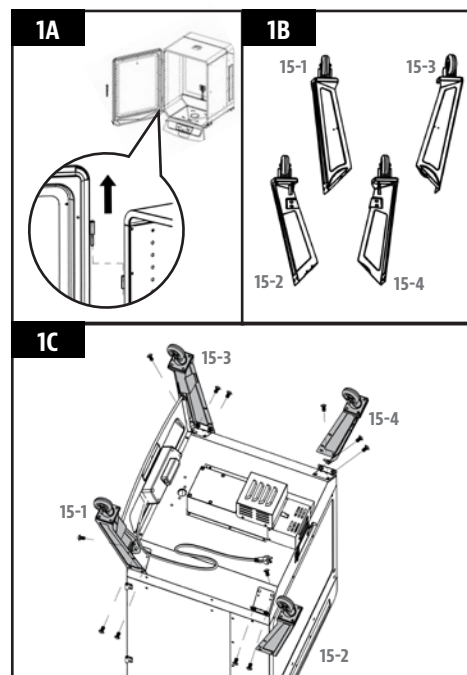
- 1 x Armoire principale (#7)
- 4 x Pied de support avec roue (#15)
- 12 x Vis $\frac{1}{4}$ -20x $\frac{1}{2}$ po (#B)

Installation :

- Placez un morceau de carton sur le sol pour éviter de rayer l'unité et les pièces lors de l'assemblage. D'abord, soulevez la porte de l'armoire principale hors des charnières et mettez-la de côté. Voir l'illustration 1A.
- Ensuite, retournez l'armoire principale sur le carton, la partie inférieure dirigée vers le haut. Préparez les quatre pieds de support en vue de l'installation, disposant les pieds étiquetés comme il est montré à l'illustration 1B.

IMPORTANT : Les quatre pieds de support doivent être correctement disposés afin de pouvoir installer les panneaux de support et la barre d'appui lors d'une prochaine étape d'assemblage.

- Montez un pied de support sur l'armoire fumoir à l'aide de trois vis. Répétez le processus pour les trois autres pieds de support. Voir l'illustration 1C.



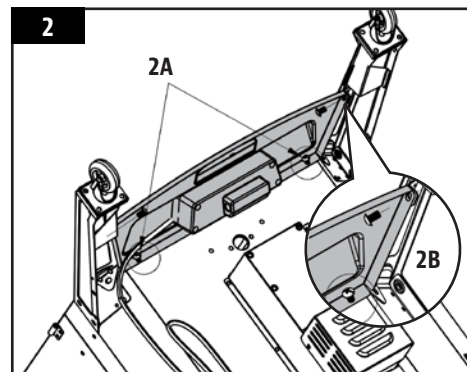
2. FIXER CORRECTEMENT LE PANNEAU DE COMMANDE AUX PIEDS DE SUPPORT

Pièces nécessaires :

- 2 x Vis #10-24x $\frac{1}{2}$ " (#D)

Installation :

- Près du panneau de commande, desserrez les deux vis préassemblées reliant le panneau avant à l'armoire principale. Illustration 2A.
- Ensuite, à l'aide de deux autres vis (#D), fixez les côtés du panneau avant aux pieds de support orientés vers l'avant. Une fois ces vis serrées, resserrez les deux vis précédemment desserrées en 2A. Illustration 2B.



3. MONTAGE DES PANNEAUX DE SUPPORT

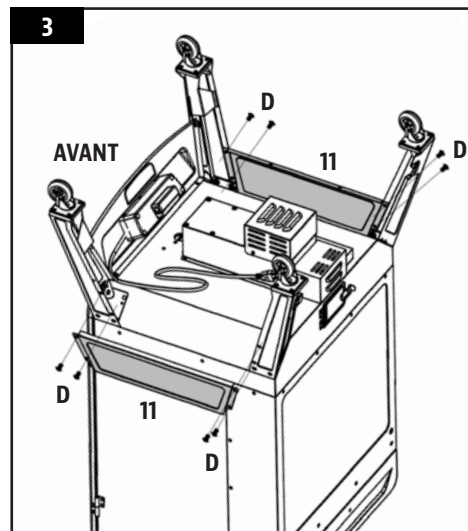
Pièces nécessaires :

- 2 x Panneaux de support (#11)
- 8 x Vis #10-24x $\frac{1}{2}$ po (#D)

Installation :

- Installez un panneau de support sur le côté de l'unité entre un pied de support avant et un arrière. Fixez en utilisant deux vis de chaque côté. Assurez-vous que le côté plat du panneau de support est orienté vers l'extérieur. Répétez le même processus pour assembler les autres panneaux de support. Regardez l'illustration pour assembler les panneaux de support.

REMARQUE : Le panneau de support avec deux trous le long du bas doit être sur le même côté de l'unité que le cordon d'alimentation qui sort du panneau de commande (côté gauche). C'est important pour les prochaines étapes.



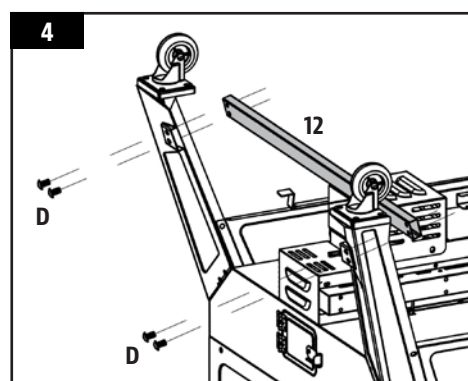
4. FIXATION DE LA BARRE D'APPUI

Pièces nécessaires :

- 1 x Barre d'appui (#12)
- 4 x Vis #10-24x $\frac{1}{2}$ po (#D)

Installation :

- Installez la barre d'appui à l'arrière de l'unité entre les deux pieds de support arrière. Fixez en utilisant deux vis de chaque côté. Assurez-vous que la barre d'appui est placée sur le dessous de l'armoire principale, vers l'intérieur. Regardez l'illustration pour assembler les barres d'appui.



5. MONTAGE DU TUBE D'ÉVACUATION DES GRAISSES

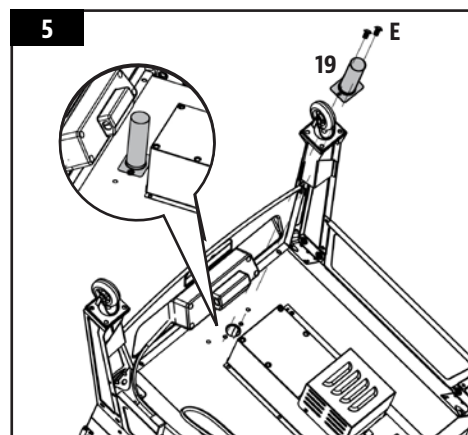
Pièces nécessaires :

- 1 x Tube d'évacuation des graisses (#19)
- 2 x Vis #10-24x $\frac{1}{3}$ po (#E)

Installation :

- Montez le tube d'évacuation des graisses sur le dessous de l'armoire principale à l'aide de deux vis.

IMPORTANT : Assurez-vous que l'armoire principale est bien étanche, car de la graisse sortira de l'armoire principale, traversera le tube d'évacuation et sortira dans le plateau à graisse.



6. ATTACHER L'ÉCRAN THERMIQUE

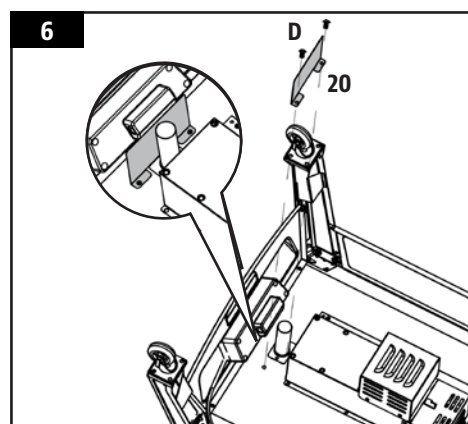
Pièces nécessaires :

- 1 x Écran thermique (#20)
- 2 x Vis #10-24x $\frac{1}{2}$ po (#D)

Installation :

- Positionnez l'écran thermique entre le panneau de commande et le tube d'évacuation des graisses. Fixez en utilisant une vis de chaque côté.

IMPORTANT : Si cet élément n'est pas installé correctement, la chaleur et / ou les éclaboussures provenant du tube d'évacuation des graisses peuvent endommager le panneau de commande. Les dommages causés par la graisse à l'arrière du panneau de commande ne sont pas couverts par la garantie.



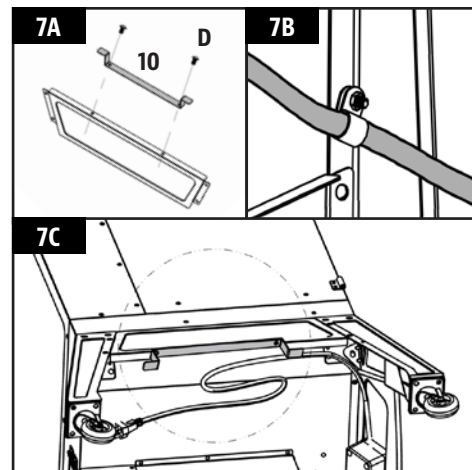
7. MONTAGE DU SUPPORT DU CORDON D'ALIMENTATION

Pièces nécessaires :

- 1 x Support de cordon d'alimentation (#10)
- 2 x Vis #10-24x½ po (#D)

Installation :

- Repérez les deux trous sur le bas du panneau de support (côté gauche). Montez le support du cordon d'alimentation sur le panneau de support à l'aide de deux vis, comme indiqué sur l'illustration 7A.
- Ensuite, desserrez l'écrou de la pince de support pré-montée et guidez le cordon d'alimentation à travers la pince de support. Quand il est passé à l'intérieur, serrez l'écrou et enroulez le cordon d'alimentation sur le support jusqu'à ce que l'appareil soit utilisé. Illustrations 7B, 7C.



8. FIXER LES SUPPORTS DU PLATEAU À GRAISSE

Pièces nécessaires :

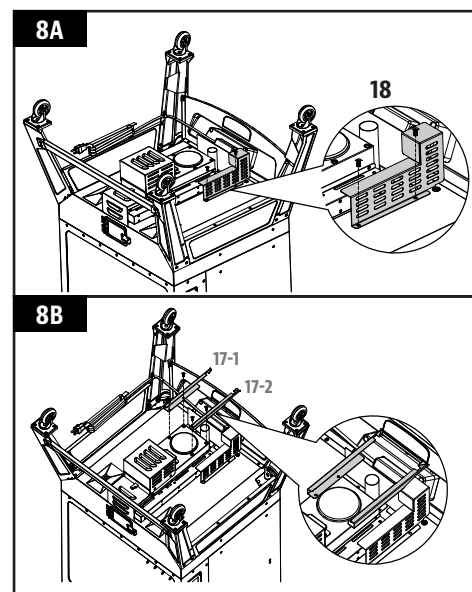
- 1 x Boîtier des câbles (#18)
- 2 x Supports du plateau à graisse (#17)
- 6 x Vis #10-24x½ po (#D)

Installation :

- Tout d'abord, montez le boîtier des câbles sur la base du boîtier de la vis sans fin en utilisant deux vis dans chaque support. Illustration 8A.
- Montez les supports du plateau à graisses sur la base du boîtier de la vis sans fin en utilisant deux vis dans chaque support. Se reporter à l'illustration 8B pour vérifier l'emplacement approprié.

REMARQUE : L'extrémité divisée des supports doit faire face au panneau de commande.

- Serrez complètement toutes les vis sur la base du chariot puis tournez soigneusement l'appareil en position verticale, avec les roulettes situées en bas. Veillez à ce que l'appareil soit de niveau.



9. PLACER LE PLATEAU À GRAISSE

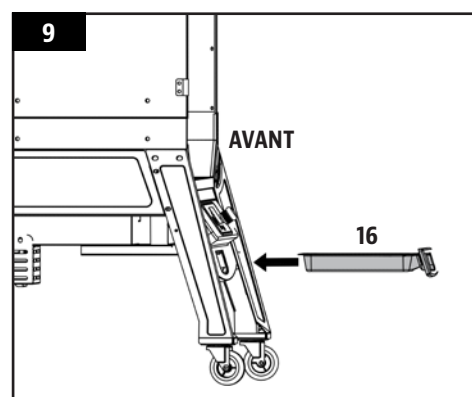
Pièces nécessaires :

- 1 x Plateau à graisse (#16)

Installation :

- Glissez le plateau à graisse dans les supports du plateau à graisse sur la face inférieure de l'armoire principale, sous le panneau de commande.

REMARQUE : Le plateau à graisse est complètement inséré une fois l'avant du plateau poussé complètement jusqu'au fond, sans qu'il y ait d'espace entre le plateau à graisse et le panneau avant.



10. FIXER LE BOUTON DE LA PORTE DE NETTOYAGE DE LA TRÉMIE

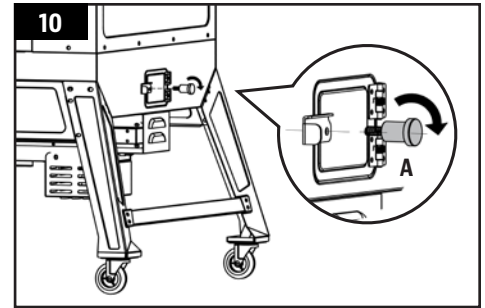
Pièces nécessaires :

1 x Bouton de porte (#A)

Installation :

- Fixez le bouton de la porte de nettoyage de la trémie en tournant le bouton dans le trou de la porte. Tournez jusqu'à ce qu'il soit bien serré et que la porte de nettoyage soit fixée.

REMARQUE : Pour utiliser la fonction de nettoyage de la trémie, desserrez simplement le bouton de la porte, soulevez le loquet de la porte de nettoyage et ouvrez la porte.



11. MONTAGE DE LA POIGNÉE ARRIÈRE

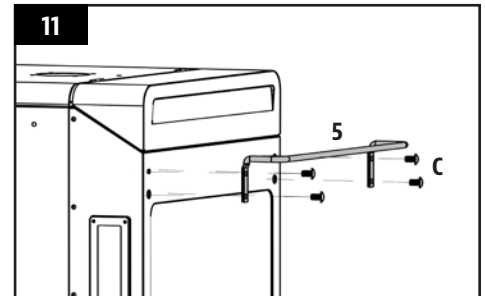
Pièces nécessaires :

1 x Poignée arrière (#5)

4 x Vis $\frac{1}{4}$ -20x $\frac{5}{8}$ po (#C)

Installation :

- Montez la poignée arrière au dos de la trémie en utilisant quatre vis. Notez la position correcte dans l'illustration avec poignée sur le dessus.



12. SÉCURISATION DE LA CHEMINÉE

Pièces nécessaires :

1 x Capuchon de cheminée (#3)

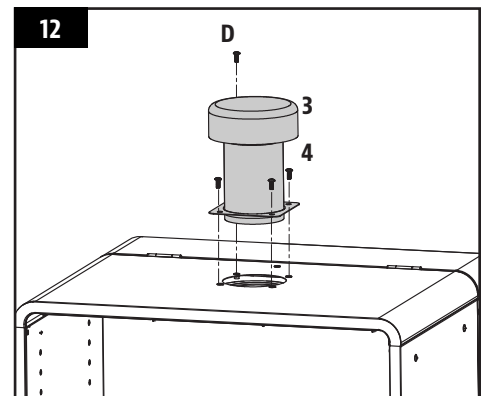
1 x Sortie de la cheminée (#4)

4 x Vis #10-24x $\frac{1}{2}$ po (#D)

Installation :

- Placez l'ouverture de la cheminée sur le dessus de l'armoire principale. De l'extérieur, placez la sortie de la cheminée sur le dessus de l'armoire principale en utilisant quatre vis. Ensuite, fixez le capuchon de la cheminée sur la partie supérieure de la sortie de la cheminée.

REMARQUE : Ajustez le capuchon de la cheminée afin d'affecter le débit d'air situé à l'intérieur de l'armoire principale. Si vous cuisinez à basse température, gardez le capuchon plus ouvert.



13. MONTAGE DU BOUCHON DU COUVERCLE

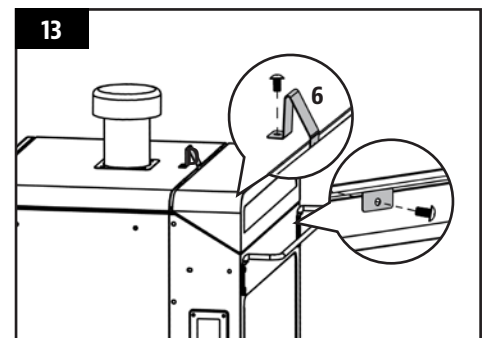
Pièces nécessaires :

1 x Bouchon du couvercle (#6)

2 x Vis #10-24x $\frac{1}{2}$ po (#D)

Installation :

- Installez le bouchon du couvercle sur le dessus de l'armoire principale à côté du couvercle de la trémie. Utilisez une vis pour le fixer sur le côté supérieur, puis ouvrez le couvercle et fixez une vis sur le bord intérieur entre les charnières du couvercle de la trémie.



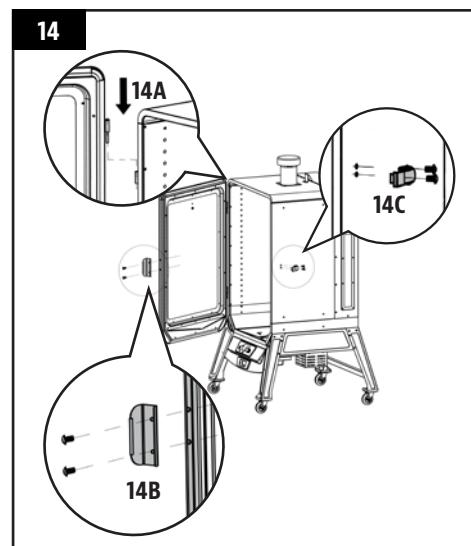
14. FIXATION DE LA POIGNÉE ET DU LOQUET DE LA PORTE D'ARMOIRE

Pièces nécessaires :

- 1 x Poignée de porte d'armoire (#8)
- 1 x Loquet de porte d'armoire (#9)
- 4 x Vis #10-24x½ po (#D)

Installation :

- Tout d'abord, réinstallez la porte sur l'armoire principale en alignant et en fixant les deux charnières de porte. Assurez-vous que la porte de l'armoire est correctement montée en regardant si elle s'ouvre correctement. Illustration 14A.
- Montez la poignée de la porte de l'armoire au centre du côté avant de la porte d'armoire à l'aide de deux vis. Regardez la direction correcte de la poignée de la porte de l'armoire dans l'illustration 14B.
- Montez le loquet de la porte de l'armoire sur le côté extérieur de l'armoire principale à l'aide de deux vis. Illustration 14C.



15. INSTALLATION DES COMPOSANTS DE CUISSON

Pièces nécessaires :

- 12 x Supports de la grille de cuisson (#2)
- 5 x Grilles de cuisson (#1)
- 1 x Réservoir d'eau (#13)
- 1 x Réducteur de flamme (#14)

Installation :

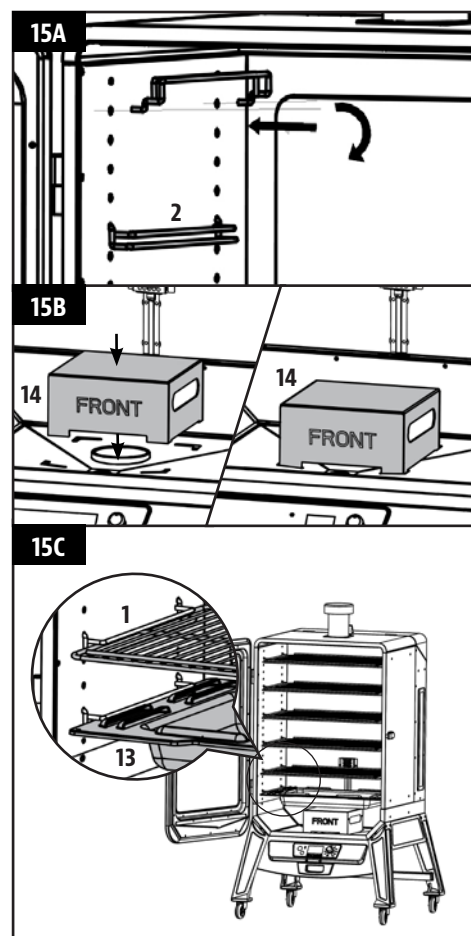
- Insérez sept supports de grille de cuisson dans les trous situés le long de la paroi intérieure gauche de l'armoire principale. Une fois les supports dans les trous, inclinez-les vers le bas pour qu'ils soient fixés dans la bonne position. Répétez le même processus, en faisant correspondre les hauteurs pour la paroi du côté droit. Voir illustration 15A.
- Placez le réducteur de flamme sur le pot de combustion en bas à l'intérieur de l'armoire principale. Pour assurer un positionnement correct, alignez le réducteur de flamme dans les rainures situées au bas du panneau de base. Voir illustration 15B.

IMPORTANT : Les fenêtres d'aération sur les côtés du boîtier du réducteur de flamme ne doivent pas être orientées vers l'avant, vers la porte de l'armoire. Cela pourrait endommager le panneau de commande si les flammes sont trop grandes.

- Ensuite, insérez le réservoir d'eau dans les supports de grille les plus bas à l'intérieur de l'armoire. Remplissez le réservoir d'eau aux ¾ avec de l'eau.

IMPORTANT : Assurez-vous qu'il y ait toujours de l'eau dans le réservoir pendant la cuisson. Il va récupérer la graisse et les gouttes de vos aliments et permettre un nettoyage plus facile. Si vous fumez des aliments pendant une période prolongée, mettez le réservoir d'eau plus haut pour que l'eau dure plus longtemps.

- Enfin, placez les grilles de cuisson une par une sur les supports à l'intérieur de l'armoire principale. Voir illustration 15C. L'unité est maintenant complètement assemblée.



16. CONNEXION À UNE SOURCE D'ALIMENTATION

REMARQUE : Avant de brancher votre unité dans une prise électrique, assurez-vous que la molette de température est en position SMOKE. Débranchez le câble quand l'appareil n'est pas utilisé.

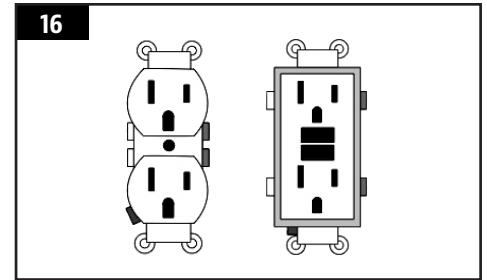
- *PRISE STANDARD*

Cette unité nécessite un voltage de 110-120 Volts, 60 Hz, 250 W. Il doit utiliser une fiche de mise à la terre à 3 broches. Assurez-vous que la mise à la terre n'est pas rompue. Le contrôle utilise un fusible à action rapide de 110-120 volts pour protéger le panneau de l'allumeur.

- *LES PRISES DDFT*

Cet appareil fonctionnera sur la plupart des prises DDFT, avec une taille recommandée de 15 ampères. Si votre prise DDFT est très sensible aux surtensions, elle sera probablement touchée par un court-circuit pendant la phase d'allumage. Pendant la phase d'allumage, l'allumeur nécessite entre 200 et 700 watts de tension, ce qui peut représenter trop de puissance pour une prise DDFT. La qualité du DDFT n'a pas d'importance, mais plutôt la sensibilité; Chaque fois qu'il y a une surtension, il augmente sa sensibilité. Si le DDFT continue de sauter, remplacez la prise ou passez à une prise non DDFT.

IMPORTANT: Débranchez l'appareil de la source d'alimentation lorsqu'il n'est pas utilisé.



INSTRUCTIONS D'UTILISATION

Avec notre style de vie d'aujourd'hui et l'envie de vivre et de manger sainement, un facteur important à considérer est la nécessité de réduire nos apports en matières grasses. L'une des meilleures façons de réduire les graisses dans votre régime alimentaire est d'utiliser une méthode de cuisson faible en matières grasses, tel que le fumage. Comme un fumoir à granulés utilise des granulés de bois naturels, la saveur de bois savoureux est cuite dans les viandes, ce qui réduit le besoin de sauces à haute teneur en sucre.

ENVIRONNEMENT DU FUMOIR

1. OÙ INSTALLER LE FUMOIR

Avec tous les appareils extérieurs, les conditions météorologiques extérieures jouent un rôle important dans la performance de votre fumoir et le temps de cuisson nécessaire pour parfaire vos repas. Le Pit Boss® Grills, grâce à sa double paroi, devrait être considéré comme un fumoir de 3 saisons, selon votre lieu de résidence. Il convient de conserver une distance minimum de 305 mm (12 pouces) entre toutes les unités Pit Boss® Grills et les matériaux combustibles, et cette distance doit être conservée pendant l'utilisation du fumoir. Cet appareil ne doit pas être placé sous un plafond ou un surplomb combustible. Gardez votre fumoir dans une zone dégagée et exempte de matières combustibles, d'essence et d'autres vapeurs et liquides inflammables.

2. CUISINER PAR TEMPS FROIDS

Lorsqu'il commence à faire plus frais dehors, cela ne signifie pas que vous ne pouvez plus cuisiner à l'extérieur! L'air frais et l'arôme divin des aliments fumés aideront à guérir votre blues d'hiver. Suivez les suggestions suivantes sur la façon de profiter de votre fumoir pendant les mois les plus frais :

- Si le fumage à basse température échoue, augmentez légèrement la température pour obtenir les mêmes résultats.
- Organisez – Préparez tout ce dont vous avez besoin dans la cuisine avant de vous diriger à l'extérieur. Pendant l'hiver, déplacez votre fumoir dans un endroit protégé du vent et du froid. Vérifiez les règlements locaux concernant la proximité de votre fumoir par rapport à votre maison et/ou autres constructions. Mettez tout ce dont vous avez besoin sur un plateau, emballez et lancez-vous!
- Pour suivre la température extérieure, placez un thermomètre extérieur près de votre zone de cuisson. Gardez un journal ou un historique de ce que vous avez préparé, de la température extérieure et du temps de cuisson. Cela sera utile plus tard pour vous aider à déterminer ce qu'il faut cuisiner et combien de temps cela prendra.
- Par temps très froid, augmentez votre temps de préchauffage d'au moins 20 minutes.
- Évitez d'ouvrir la porte de l'armoire du fumoir plus que nécessaire. Les rafales de vents froids peuvent refroidir complètement votre température interne. Soyez souple quant au moment de servir; ajoutez environ 10 à 15 minutes de plus à la cuisson à chaque fois que vous ouvrez la porte.
- Ayez un plateau chauffé ou un couvercle de plat prêt à garder votre nourriture au chaud tout en faisant le voyage à l'intérieur.
- Les aliments idéaux pour la cuisine d'hiver sont ceux qui nécessitent peu d'attention, comme les rôtis, les poulets entiers, les côtes et la dinde. Rendez votre préparation de repas encore plus facile en ajoutant des éléments simples comme les légumes et les pommes de terre.

3. CUISINER PAR TEMPS CHAUDS

À mesure qu'il fait plus chaud à l'extérieur, le temps de cuisson diminue. Une tenue correcte est importante quand il fait vraiment chaud : un short, t-shirt, des chaussures, un chapeau, un tablier et une grosse portion de crème solaire sont recommandés. Suivez ces suggestions sur la façon de profiter de votre fumoir pendant les mois chauds :

- Ajustez à la baisse vos températures de cuisson. Cela permet d'éviter les poussées indésirables.
- Utilisez un thermomètre à viande pour déterminer la température interne de vos aliments. Ceci permet d'éviter que votre viande ne soit trop cuite ou se dessèche.
- Même par temps chaud, gardez la porte de l'armoire du fumoir fermée en tout temps.
- Vous pouvez garder vos aliments chauds au chaud en les enveloppant dans du papier aluminium et en les plaçant dans une glacière isolée. Placez du papier journal froissé autour du papier aluminium et cela tiendra la nourriture chaude pendant 3 à 4 heures.

GAMMES DE TEMPÉRATURE DU FUMOIR

Les lectures de température sur le panneau de contrôle peuvent ne pas correspondre exactement au thermomètre. Toutes les températures indiquées ci-dessous sont approximatives et sont affectées par les facteurs suivants : la température ambiante extérieure, la quantité et la direction du vent, la qualité du combustible à granulés utilisé, si la porte de l'armoire reste ouverte et la quantité de nourriture en cours de cuisson.

- **HAUTE TEMPÉRATURE (190-215°C / 375-420°F)**

Cette gamme de températures est utilisée pour griller à feu vif, sans aucun contact avec la flamme. La température élevée est également utilisée comme température de combustion pour nettoyer les grilles de cuisson après utilisation. En outre, une chaleur élevée peut être utilisée dans des conditions de froid extrême pour compenser le contraste des températures entre l'extérieur et l'intérieur de l'unité.

- **TEMPÉRATURE MOYENNE (135-177 °C / 275-350 °F)**

Cette gamme de températures est idéale pour cuire au four, rôtir et terminer votre création à fumaison lente. La cuisson à ces températures réduira considérablement les risques de poussée de graisse. Excellente gamme pour cuisiner n'importe quoi enveloppé dans du bacon, ou où vous voulez une polyvalence avec contrôle.

- **BASSE TEMPÉRATURE (65-122°C / 150-250°F)**

Cette gamme de températures permet de rôtir lentement, d'augmenter la saveur fumée et de garder les aliments au chaud. Infusez plus de saveur fumée et gardez vos viandes juteuses en cuisinant plus longtemps à une température plus basse (également connu sous le nom de **faible et lent**). Hautement recommandé pour la grande dinde de Thanksgiving, le jambon juteux à Pâques, ou l'immense fête de Noël.

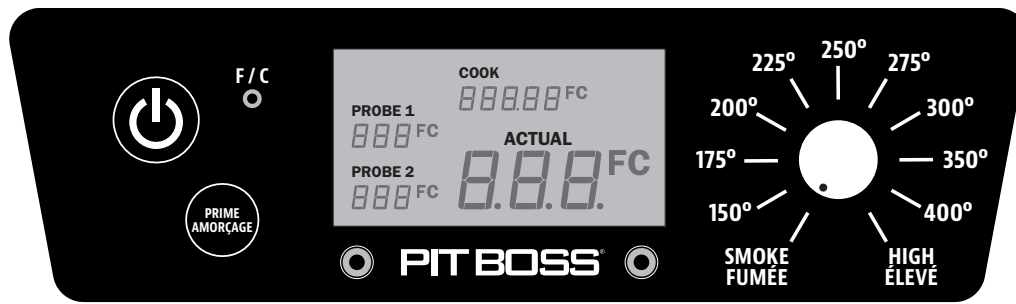
Le fumage est une variation de vrai barbecue et est vraiment le premier avantage d'un fumoir. Il existe deux types de fumage : le fumage à chaud et le fumage à froid.








- **Le fumage à chaud**, un autre nom pour la cuisson **faible et lente**, se fait généralement à 65-122° C / 150-250° F. Le fumage à chaud fonctionne mieux lorsqu'un temps de cuisson plus long est nécessaire, comme pour les grandes coupes de viande, de poisson ou de volaille.
- **Le fumage à froid** se fait quand les aliments se situent tellement loin du feu qu'ils fument sans cuire, et à des températures allant de 15°C à 32°C (60°F à 90°F).

CONSEIL : Pour intensifier cette saveur salée, passez à la température de fumée (basse) immédiatement après avoir mis vos aliments dans le fumoir. Cela permet à la fumée de pénétrer dans les viandes, avant que les pores de la viande ne se ferment à 49 ° C / 120 ° F.

La clé consiste à expérimenter le temps que vous autorisez à fumer, avant que le repas ne soit cuit. Certains chefs de plein air préfèrent fumer à la fin d'une cuisson, ce qui permet à la nourriture de rester au chaud jusqu'à ce qu'elle soit prête à être servie. La pratique rend parfait!

COMPRENDRE LE TABLEAU DE COMMANDE



BOUTON	DESCRIPTION
	Appuyez sur le bouton Power (Alimentation) pour allumer l'unité. Une fois que vous avez connecté l'appareil à une source d'alimentation et que vous avez appuyé sur le bouton Power (Alimentation), l'écran DEL s'illuminera, indiquant qu'il est prêt à être utilisé. Appuyer et maintenir enfoncé le bouton « Power » (Alimentation) pour éteindre l'unité.
	Le cadran de réglage des températures vous permet de configurer la température de fumage de votre choix. Sélectionner l'une des dix températures pré-réglées sur le cadran de réglage, entre 65-215°C / 150-420°F. La température de consigne souhaitée est affichée sur l'écran LCD numérique pendant quelques secondes, puis revient à la température réelle.
	Le commutateur de température est utilisé pour changer la lecture de température sur l'écran DEL numérique. Appuyez le bouton pour passer de la température en Celsius (°C) à Fahrenheit (°F), au choix. L'affichage par défaut est en Fahrenheit.
	L'écran DEL sert de centre d'information pour votre unité. L'écran DEL affichera la température de cuisson de votre choix, la température de cuisson réelle, et la température de la sonde thermique (si branchée). Si une seule sonde à viande est connectée, une seule lecture sera affichée. Les températures peuvent être affichées soit en Fahrenheit, soit en Celsius.
	Appuyez sur le bouton Prime et maintenez-le appuyé afin d'activer une alimentation supplémentaire de pastilles dans le pot de combustion. Ceci peut être utilisé pour ajouter plus de carburant juste avant d'ouvrir la porte de l'armoire du fumoir, permettant ainsi d'obtenir un temps de récupération de la chaleur plus rapide. Ceci peut également être utilisé pour ajouter plus de carburant pendant le fumage, pour augmenter l'intensité du goût de fumé. Demandé par les cuisiniers qui font de la compétition.
	Le paramètre Smoke (Fumer) du cadran de réglage de la température est la température la plus basse sans que le feu ne s'éteigne de l'unité.
	Les ports de connexion de module d'extension situés à l'avant du Centre de commande servent à brancher un/des Sonde(s) thermique(s). Lorsque une sonde thermique est connectée, la température s'affiche sur l'écran DEL. Lorsqu'elle ne sert pas, débranchez la sonde thermique du port de connexion. <i>Uniquement compatible avec les sondes thermiques de la marque Pit Boss® Grills.</i>



COMPRENDRE LES SONDÉS

• *SONDE DE GRILLE*

Située à l'intérieur de l'armoire, sur la paroi arrière en bas se trouve la sonde de grille. C'est une petite pièce verticale d'acier inoxydable. La sonde de grille mesure la température interne de l'unité. Cette température interne est affichée sur l'écran LCD numérique en tant que température «ACTUELLE».

IMPORTANT : La température de votre unité dépend grandement des conditions climatiques extérieures, de la qualité des pastilles utilisées et de la quantité d'aliments qui sont cuisinés.

• *LA SONDE THERMIQUE*

La sonde thermique mesure la température interne de votre viande dans l'armoire du fumoir, de la même façon que votre four de cuisine. Branchez l'adaptateur de sonde thermique au port de connexion de la sonde thermique et insérez la sonde thermique en acier inoxydable dans la partie la plus épaisse de votre viande et la température sera affichée sur le panneau de contrôle. **Pour vous assurer que la sonde thermique est bien branchée au port de connexion, vous verrez et l'entendrez cliquer en place.**

IMPORTANT : Lorsque vous placez la sonde thermique dans votre viande, assurez-vous que la sonde thermique et les fils de la sonde n'entrent pas en contact direct avec les flammes ou l'excès de chaleur. Ceci pourrait endommager votre sonde thermique. Faites passer les câbles par l'avant de la porte d'armoire principale, le long du côté. Lorsqu'elle ne sert pas, débranchez-la du port de connexion de la sonde thermique et placez-la de côté pour la maintenir propre et protégée.

PROCÉDURE D'AMORÇAGE DE LA TRÉMIE

Ces instructions doivent être suivies la première fois que le fumoir est allumé, et à chaque fois que le fumoir est à court de granulés dans la trémie. La vis sans fin doit être amorcée pour permettre aux granulés de circuler sur toute la longueur de la vis sans fin et de remplir le pot de combustion. S'il n'est pas amorcé, l'allumeur s'éteindra avant que les granulés ne s'enflamment. Suivez les étapes suivantes pour amorcer :

1. Ouvrez le couvercle de la trémie. Veillez à ce qu'il n'y ait pas d'objets étrangers dans la trémie ou que des objets bloquent le système d'alimentation de la vis sans fin dans le fond.
2. Retirez tous les composants de cuisson de l'intérieur du fumoir. Localisez le pot de combustion au fond de l'armoire du fumoir.
3. Branchez le cordon d'alimentation dans une source d'alimentation. Appuyez sur le **bouton Power** (Alimentation) pour allumer l'unité, et assurez-vous que le **cadran de réglage de la température** est sur la position SMOKE. Vérifiez les éléments suivants :
 - Vous pouvez entendre la vis sans fin tourner. Placez votre main au-dessus du pot de combustion et sentez s'il y a un mouvement d'air. Ne placez pas votre main ou vos doigts dans le pot de combustion. Ceci peut provoquer des blessures.
 - Après environ une minute, vous devriez sentir l'allumeur brûler et commencer à sentir l'air qui devient plus chaud dans le pot de combustion. Le bout de l'allumeur ne deviendra pas rouge. Ne touchez pas l'allumeur. Cet élément devient extrêmement chaud et brûlant.
4. Une fois que vous avez vérifié que tous les composants électriques fonctionnent correctement, appuyez et maintenez enfoncé le **bouton Power** (Alimentation) pour éteindre l'unité.
5. Remplissez la trémie avec des granules de bois de barbecue naturel. Surveillez le niveau de granulés en utilisant le regard sur le côté.
6. Appuyez sur le **bouton Power** (Alimentation) pour allumer l'unité. Tout en maintenant le **cadran de réglage de la température** sur la position SMOKE, appuyez sur le **bouton Prime** et maintenez-le enfoncé jusqu'à ce que vous voyiez des granulés entrer dans le pot de combustion. Une fois que les granulés commencent à tomber dans le pot de combustion, relâchez le **bouton Prime**. Laissez les granulés s'allumer et créer des flammes. Une fois que les flammes sortent du pot de combustion, appuyez sur le **bouton Power** et maintenez-le enfoncé pour éteindre le panneau de commande, et laissez le fumoir se refroidir.
7. Une fois que le fumoir a refroidi, réinstallez les composants de cuisson à l'intérieur de l'armoire principale. Le fumoir est maintenant prêt à l'emploi!

PREMIÈRE UTILISATION - SURCHAUFFER LE FUMOIR

Une fois que votre trémie a été amorcée et avant de cuire sur votre fumoir pour la première fois, il est important de terminer un brûlage du gril. Démarrez le fumoir avec la porte de l'armoire ouverte jusqu'à ce que de la fumée commence à remplir l'intérieur de l'armoire. Ensuite, verrouillez la porte de l'armoire et laissez l'appareil atteindre une température supérieure à 176 °C / 350 °F (avec la porte de l'armoire fermée) pendant 30 à 40 minutes pour brûler l'appareil et le débarrasser de tout corps étranger.

PROCÉDURE DE DÉMARRAGE AUTOMATIQUE

1. Assurez-vous que le **cadran de réglage de la température** est sur la position SMOKE. Branchez le cordon d'alimentation dans une source d'alimentation mise à la terre.
2. Vérifiez le pot de combustion pour s'assurer qu'il n'y a pas d'obstruction pour un allumage correct. Ouvrez le couvercle de la trémie. Veillez à ce qu'il n'y ait pas d'objets étrangers dans la trémie ou dans l'entrée du système d'alimentation en bas de l'armoire. Remplissez la trémie de granulés de bois dur pour bbq sèches et 100 % naturelles. Remplissez le réservoir d'eau aux $\frac{3}{4}$ avec de l'eau et surveillez pendant votre cuisson; re-remplissez fréquemment.
3. Appuyez sur le **bouton Power** (Alimentation) pour allumer l'unité. Cela active le cycle de démarrage. Le système d'alimentation de vis sans fin commencera à tourner, l'allumeur commencera à s'allumer et le ventilateur fournira de l'air au pot de combustion. Votre fumoir commencera à produire de la fumée pendant que le cycle de mise en marche se déroule. La porte d'armoire doit rester ouverte pendant le cycle de démarrage. Pour confirmer que le cycle de démarrage a commencé correctement, écoutez un rugissement torché et notez que de la chaleur est produite.
4. Fermez la porte de l'armoire. Tournez le **cadran de réglage de la température** à 177°C / 350°F, afin de permettre à l'unité de se préchauffer pendant environ 15 à 20 minutes.
5. Une fois le préchauffage terminé, vous êtes prêt à profiter de votre fumoir à la température souhaitée!

IMPORTANT : Lorsque vous sélectionnez SMOKE ou une température basse après le préchauffage, la vis sans fin continuera à tourner et alimentera les granulés. Cela augmentera momentanément la température, mais la température diminuera finalement et se stabilisera. Rappelez-vous que vous essayez de régler un feu, il faut donc du temps pour atteindre la température désirée.

PROCÉDURE DE DÉFAILLANCE DE L'ALLUMER

Si, pour une raison quelconque, votre allumeur électrique échoue, vérifiez les étapes suivantes ou allumez votre gril en utilisant la méthode manuelle.

1. Assurez-vous que le **cadran de réglage de la température** est sur la position SMOKE et l'appareil est éteint. Ouvrez la porte de l'armoire. Retirez les composants de cuisson de l'intérieur. Enlevez tous les granulés non brûlés et les cendres du pot de combustion. Évitez de toucher l'allumeur pour éviter les blessures, car il sera extrêmement chaud.
2. Après avoir enlevé et nettoyé les composantes de cuisson, appuyez sur le **bouton Power** (Alimentation) pour allumer l'unité. Vérifiez ce qui suit :
 - Confirmez visuellement que l'allumeur fonctionne en plaçant votre main au-dessus du pot de combustion et en sentant s'il émet de la chaleur.
 - Confirmez visuellement que l'allumeur dépasse environ 13 mm / 0,5 pouces dans le pot de combustion.
 - Confirmez visuellement que la vis sans fin fait tomber des granulés dans le pot de combustion.
 - Confirmez que le ventilateur de combustion fonctionne en écoutant le grondement produit.
3. Si l'un des points ci-dessus ne fonctionne pas, suivez les **instructions de dépannage**.

PROCÉDURE DE DÉMARRAGE MANUELLE

1. Assurez-vous que le **cadran de réglage de la température** est sur la position **SMOKE**. Branchez le cordon d'alimentation dans une source d'alimentation mise à la terre.
2. Vérifiez le pot de combustion pour s'assurer qu'il n'y a pas d'obstruction pour un allumage correct. Ouvrez le couvercle de la trémie. Veillez à ce qu'il n'y ait pas d'objets étrangers dans la trémie ou le système d'alimentation. Remplissez la trémie avec des granulés de bois de barbecue naturels et secs.
3. Ouvrez la porte de l'armoire. Retirez les composants de cuisson pour exposer le pot de combustion. Déposez une poignée généreuse de granulés dans le pot de combustion. Jetez un démarreur à froid gélifié, ou un autre démarreur approprié, sur le dessus des granulés. Une petite quantité d'allume feu de combustibles solides, comme par exemple composé de sciure de bois et de cire, ou des copeaux de bois, est également appropriée. Ajoutez une autre petite quantité de granulés sur le pot de combustion.

REMARQUE : NE PAS utiliser d'alcool, d'essence, de pétrole, d'essence à briquet ou du kérosène pour allumer ou faire reprendre un feu dans votre grill.

4. Allumez le contenu du pot de combustion à l'aide d'une longue allumette ou d'un briquet à nez long. Laissez l'allume-feu brûler pendant 3 à 5 minutes. N'essayez pas d'ajouter plus de d'allume-feux dans le pot de combustion. Ceci peut provoquer des blessures.
5. Remplacez rapidement et soigneusement les composants de cuisson à l'intérieur de l'armoire du fumoir. La porte d'armoire doit rester ouverte pendant le cycle de démarrage.
6. Continuez le démarrage en suivant les étapes de trois à cinq de la **Procédure de démarrage automatique**.

ÉTEINDRE VOTRE FUMOIR

1. Lorsque vous avez terminé de cuisiner sur votre fumoir, avec les portes de l'armoire principale restant fermé, appuyez sur le bouton d'alimentation et maintenez-le enfoncé pour trois seconds pour éteindre l'appareil. Cela activera le cycle de refroidissement automatique. Le système d'alimentation cessera d'alimenter le combustible, la flamme s'éteindra et le ventilateur continuera de fonctionner jusqu'à ce que le cycle de refroidissement soit terminé. Une fois le cycle de refroidissement terminé, le ventilateur s'arrêtera.

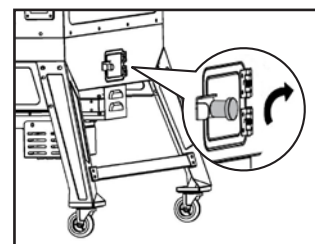
ENTRETIEN ET MAINTENANCE

Votre unité Pit Boss® vous servira fidèlement pendant de longues années tout en minimisant les efforts de nettoyage. Une étape importante est de laisser l'armoire du fumoir et les grilles de cuisson s'auto-nettoyer en allumant le fumoir à une température élevée opérant 5 à 10 minutes après chaque utilisation. Suivez ces conseils de nettoyage et d'entretien pour assurer l'entretien de votre fumoir :

1. ASSEMBLAGE DE LA TRÉMIE

- La trémie comprend une fonction de nettoyage lui permettant de se nettoyer facilement et de changer les arômes du combustible à granulés. Pour vider, localisez la porte de nettoyage sur la partie arrière de la trémie. Placez un seau propre et vide sous la porte de nettoyage, puis desserrez lentement le bouton de la porte, soulevez le loquet de la porte et laissez les granulés se vider.

REMARQUE : Utilisez une brosse à manche long ou un aspirateur d'atelier pour retirer les excès de granulés, de sciure de bois et de débris pour un nettoyage complet.



- Vérifiez et nettoyez les débris dans les bouches d'aération du ventilateur, situé à l'arrière de l'armoire du fumoir. Pour un nettoyage en profondeur, essuyez soigneusement toute accumulation de graisse directement sur les pales du ventilateur (voir **Schéma électrique pour l'accès aux composants électriques**). Cela garantit que le flux d'air est suffisant pour le système d'alimentation.

2. SONDES

- Tout nœud ou pli des fils de la sonde peuvent causer des dommages. Une sonde non utilisée devrait être enroulée dans une grande bobine desserrée.
- Bien que les deux sondes soient en acier inoxydable, ne les mettez pas dans le lave-vaisselle, ou dans l'eau. Les dommages causés par l'eau aux fils internes entraîneront un court-circuit de la sonde, créant une lecture erronée. Si une sonde est endommagée, elle devrait être remplacée.

3. LES SURFACES INTERNES

- Il est recommandé de nettoyer votre pot de combustion après chaque utilisation. Cela assurera un allumage correct et évitera toute accumulation de débris ou de cendres dans le pot de combustion.
- Utilisez une brosse de nettoyage à gri à long manche (laiton ou métal doux), retirez tout aliment ou accumulation des grilles de cuisson. La meilleure pratique consiste à faire cela alors qu'elles sont encore chaudes. **Les feux de graisse sont causés par trop de débris tombés sur les composants de cuisson du fumoir.** Nettoyez l'intérieur de votre fumoir régulièrement. Dans le cas où vous êtes confronté à un feu de graisse, gardez la porte l'armoire du fumoir fermée pour étouffer l'incendie. Si l'incendie ne s'éteint pas rapidement, retirez soigneusement les aliments, éteignez le fumoir et fermez la porte de l'armoire jusqu'à ce que le feu soit complètement éteint. Une autre façon d'éteindre un feu consiste à enrouler une feuille d'aluminium autour de la cheminée, en bloquant l'air à l'intérieur. Saupoudrez légèrement de bicarbonate de soude, si disponible.
- Vérifiez souvent votre plateau à graisse et nettoyez-le si nécessaire. Gardez à l'esprit le type de cuisson que vous faites. Assurez-vous que le tuyau d'évacuation des graisses n'est pas obstrué.

IMPORTANT : De la graisse peut s'accumuler dans le réservoir d'eau. Tapisser le réservoir d'eau avec du papier aluminium pour faciliter le nettoyage après la cuisson. Remplissez et remplacez souvent l'eau dans le réservoir d'eau.

- Le verre de la porte de l'armoire est trempé et ne cassera pas à haute température; cependant, une accumulation excessive peut empêcher la fermeture de la porte si elle n'est pas nettoyée régulièrement. La fumée et les débris peuvent être enlevés en nettoyant le verre fréquemment.

4. LES SURFACES EXTERNES

- Essuyez votre fumoir après chaque utilisation. Utilisez de l'eau chaude savonneuse pour enlever la graisse. Ne pas utiliser de nettoyant à four, nettoyant abrasif ou lingettes nettoyantes sur les surfaces externes de l'armoire. **Toutes les surfaces peintes ne sont pas couvertes par la garantie**, mais font partie de la maintenance générale et de l'entretien. Pour les rayures de peinture, l'usure ou l'écaillage de la finition, toutes les surfaces peintes peuvent être retouchées à l'aide d'une peinture à barbecue à haute chaleur.
- Utilisez une housse afin de protéger votre fumoir pour une protection complète! Une housse est la meilleure protection contre les intempéries et les polluants extérieurs. Lorsqu'il n'est pas utilisé ou pour un stockage à long terme, conservez l'unité sous une housse dans un garage ou un hangar.

TABLEAU DE FRÉQUENCE DE NETTOYAGE (UTILISATION NORMALE)

ARTICLE	FRÉQUENCE DE NETTOYAGE	MÉTHODE DE NETTOYAGE
Porte d'armoire principale en verre	Toutes les 2-3 utilisations	Mélanger du bicarbonate de soude et du vinaigre, frotter avec une paille de fer (fine)
Dessous de l'armoire principale	Toutes les 5-6 utilisations	Retirer, aspirer les excès de débris
Pot de combustion	Après chaque utilisation	Retirer, aspirer les excès de débris
Grilles de cuisson	Après chaque utilisation	Brûler le surplus, Brosse en laiton
Réservoir d'eau	Après chaque utilisation	Éponge à gratter et eau savonneuse
Plateau à graisse	Après chaque utilisation	Éponge à gratter et eau savonneuse
Tube d'évacuation des graisses	Toutes les 5-6 utilisations	Éponge à gratter et eau savonneuse
Système d'alimentation de la vis sans fin	Lorsque le récipient de granulés est vide	Permettre à la vis sans fin de faire sortir la sciure de bois, en laissant la trémie vide
Composants électriques	Une fois par an	Dépoussiérez l'intérieur, essuyez les lames de ventilateur avec de l'eau savonneuse
Arrivée d'air	Toutes les 5-6 utilisations	Poussière, éponge à gratter et eau savonneuse
Sonde thermique	Après chaque utilisation	Éponge à gratter et eau savonneuse
Sonde de grille	Toutes les 2-3 utilisations	Éponge à gratter et eau savonneuse

UTILISATION DU CARBURANT DE GRANULÉS DE BOIS

Ces granulés de bois propres combustibles génèrent environ 8200 BTU par livre avec très peu de cendres, une faible teneur en humidité (5 à 7 %) tout en étant également neutres en carbone. Les granulés de bois pour barbecue sont produits avec des matières premières pures (sciures) qui sont pulvérisées avec un broyeur à marteaux et forcées avec pression à travers une filière. Quand le granulé est forcé à travers la filière, il est cisailé, refroidi, trié, aspiré, puis emballé pour la consommation. Vérifiez auprès de votre distributeur local pour connaître la gamme d'essences disponibles dans votre région.

MÉLANGE CARYER

Saveur riche, fumée similaire à du bacon.
Connu comme étant « Le Roi des bois ».

MÉLANGE MESQUITE

Forte saveur épicée et acidulée.
Pensez à la cuisine Tex-Mex.

MÉLANGE POMME

Saveur fumée et modérément sucrée.
Fortement recommandée pour la cuisson au four.

MÉLANGE ÉRABLE

Saveur sucrée et salée.

MÉLANGE AULNE

Doux et terreux. Mélange d'aulne, d'érable et de pin.

MÉLANGE FRUITS DES BOIS

Mélange de cerise, pomme et d'érable.

MÉLANGE CERISE

Légèrement sucrée mais également acidulée.
Offre une teinte rosée aux viandes claires.

MÉLANGE DE BARIL DE WHISKEY

Forte fumée sucrée avec goût aromatique.
Parfait pour les viandes rouges.

MÉLANGE DE LA COMPÉTITION

Mélange parfait de saveurs sucrées, délicieuses et acidulées.
Utilisé par de nombreux « grillers » professionnels.

MÉLANGE PACANE

Saveur grasse, de beurre et moelleuse.

MÉLANGE CHÊNE

Saveur riche et fumée.

MÉLANGE CLASSIQUE

Mélange de pacanes, d'hickory et de mesquite.

REMARQUE : Conservez toujours vos granulés de bois dans un endroit sec. Les exposer à l'humidité poussera les granulés à absorber l'humidité et produira un rendement calorifique plus faible ou provoquera un gonflement et une dissolution des granulés. Utilisez un bac ou sceau résistant à l'humidité et pouvant être scellé à nouveau pour la conservation.

LIGNES DIRECTRICES POUR LA CUISINE

Les styles de cuisson de fumage et de grillage peuvent vous donner des résultats différents dépendant du temps et la température. Pour obtenir de meilleurs résultats, conservez un registre de tout ce que vous cuisinez, à quelle température vous le cuisinez, ainsi que les résultats. Ajustez toutes ces variables, selon vos goûts, la prochaine fois. Ce n'est qu'en s'exerçant qu'on s'améliore. L'art culinaire du fumage à chaud équivaut à des temps de cuisson plus long, mais il produit également une saveur de bois plus naturelle (et une « bande de fumage ») dans vos viandes. Une température de cuisson plus élevée, ce qui veut dire moins de temps de cuisson, vous offrira moins de saveur fumée.

CONSEIL : Pour de meilleurs résultats, laissez reposer les viandes après la cuisson. Ceci permet aux jus naturels de revenir dans les fibres de la viande, produisant ainsi une coupe plus juteuse et plus savoureuse. Le temps de repos peut n'être que 3 minutes et peut même aller jusqu'à 60 minutes, selon la taille des protéines.

STYLE DE CUISSON	FUMAGE CHAUD (très faible)	RÔTI (faible)	CUISSON FOUR (moyen)	GRILLAGE (moyen/élevé)
Gamme de températures	93-135 ° C / 200-275 ° F	135-162 ° C / 275-325 ° F	162-190 ° C / 325-375 ° F	204-232 ° C / 400-450 ° F

DURÉE APPROXIMATIVE DU TEMPS DE CUISSON

BOEF	Taille	Saignant - 54°C / 130°F	À point - 60°C / 140°F	Bien cuit - 65°C / 150°F
Rôti de bœuf de faux-filet, sans os	2,26 - 2,72 kg / 5 - 6 lbs.		1½ à 2 heures	
Rôti de côtes	5,44 - 6,35 kg / 12 - 14 lbs.		2½ à 2¾ heures	
Saucisse (frais)	Toutes les tailles			4 à 5 heures
Rôti (avec os)	Toutes les tailles	4 à 5 heures		
Côtes	Toutes les tailles	Cuire jusqu'à ce que la viande tombe de l'os (pendant 4 à 6 heures)		
Poitrine	7,25 - 3,62 kg / 16 -18 lbs.	Cuire jusqu'à ce que la température interne atteigne 91°C / 195°F		

PORC	Taille	Réchauffé - 60°C / 140°F	À point - 66°C / 150°F	Bien cuit - 71°C / 160°F
Jambon (cuite)	Toutes les tailles	2 à 2¾ heures		
Jambon (frais)	4,53-5,44 kg / 10-12 lbs.			7 à 8 heures
Saucisse (frais)	Toutes les tailles			4 à 5 heures
Longe de porc	1,36-1,81 kg / 3 - 4 lbs.		1 à 2 heures	2 à 3 heures
Rôti de couronne de côte	1,81-2,26 kg / 4 - 5 lbs.		1½ à 2 heures	2 à 3 heures
Boston Butt (Épaule de porc)	3,62-4,53 kg / 8-10 lbs.			93 - 98°C / 200 - 210°F température interne
Côtes	Toutes les tailles	Cuire jusqu'à ce que la viande tombe de l'os (pendant 4 à 6 heures)		
Côtelette (longe, côte)	Toutes les tailles	Cuire jusqu'à ce que la viande tombe de l'os (pendant 4 à 6 heures)		

AGNEAU	Taille	Saignant - 54°C / 130°F	À point - 60°C / 140°F	Bien cuit - 71°C / 160°F
Rôti (frais)	2,26 - 2,72 kg / 5 - 6 lbs.		5 à 6 heures	

VOLAILLE	Taille	Saignant - 54°C / 130°F	À point - 60°C / 140°F	Bien cuit - 82°C / 180°F
Dinde (entier)	4,53-5,44 kg / 10-12 lbs.			7 à 8 heures
Poulet (entier)	Toutes les tailles			5 à 6 heures
Pilons, poitrines	Toutes les tailles			4 à 5 heures
Petits gibiers à plumes	Toutes les tailles			4 à 5 heures
Canard	1,36-2,26 kg / 3-5 lbs.			5 à 6 heures

FRUITS DE MER	Taille	Saignant - 54°C / 130°F	À point - 60°C / 140°F	Bien cuit - 82°C / 180°F
Poisson (entier)	Toutes les tailles			2 à 3 heures, jusqu'à ce que le poisson s'émiette
Poisson (filets)	Toutes les tailles			1 à 2 heures, jusqu'à ce que le poisson s'émiette

GIBIER SAUVAGE	Taille	Saignant - 60°C / 140°F	À point - 71°C / 160°F	Bien cuit - 77°C / 170°F
Rôti (frais)	2,26 - 2,72 kg / 5 - 6 lbs.		5 à 6 heures	
Grandes coupes (frais)	3,62-4,53 kg / 8-10 lbs.			7 à 8 heures

CONSEILS ET TECHNIQUES

Suivez ces conseils et techniques utiles, transmis par des propriétaires de Pit Boss® Grills, notre personnel et clients comme vous, afin de vous familiariser avec votre gril :

1. SÉCURITÉ ALIMENTAIRE

- Garder propre tout ce qui se trouve dans la cuisine et dans la surface de cuisson. Utilisez un plat et des ustensiles différents pour la viande cuite et pour préparer ou transporter la viande crue sur le gril. Ceci permettra d'éviter toute contamination croisée des bactéries. Chaque marinade ou sauce pour badigeonner devrait avoir son propre ustensile.
- Gardez les aliments chauds au chaud (au-dessus de 60°C / 140°F) et gardez les aliments froids au froids (moins de 3°C / 37°F).
- Une marinade ne devrait jamais être conservée pour une utilisation ultérieure. Si vous comptez l'utiliser pour la servir avec votre viande, assurez-vous de la faire bouillir avant de servir.
- Les aliments cuits et les salades ne devraient pas être laissés dehors dans la chaleur pendant plus d'une heure. Ne laissez pas les aliments chauds à l'extérieur du réfrigérateur pendant plus de deux heures.
- Décongeler et mariner les viandes par réfrigération. Ne décongelez pas la viande à température ambiante ou sur le comptoir. Les bactéries peuvent grandir et se multiplient rapidement dans les aliments chauds et humides. Lavez-vous bien les mains avec de l'eau tiède savonneuse avant de commencer à préparer votre plat, et après avoir manipulé de la viande fraîche, du poisson et de la volaille.

2. PRÉPARATION DE CUISSON

- Soyez préparé. Ceci fait référence à la préparation de la recette, le combustible, les accessoires, les ustensiles et tous les ingrédients dont vous aurez besoin à côté du gril avant de commencer la cuisson. Lire aussi la recette complète, du début à la fin, avant d'allumer le gril.
- Un tapis protecteur pour BBQ peut être très utile. En raison des accidents qui surviennent en raison de la manipulation des aliments et des différents styles de cuisson, ce tapis aidera à protéger les dalles de votre patio ou de votre terrasse contre tout risque de tache de graisse ou déversements accidentels.

3. CONSEILS ET TECHNIQUES DE GRILLADE

- Pour infuser plus de saveur fumée et gardez vos viandes juteuses, cuisez-les plus longtemps à une température plus basse (également connu sous le nom de **faible et lent**). La viande fermera ses fibres après avoir atteint une température interne de 49°C (120°F). La pulvérisation en brouillard et l'épandage sont d'excellents moyens permettant d'éviter que la viande ne se dessèche.
- Lorsque vous saisissez vos viandes, cuisinez toujours avec le couvercle fermé. Utilisez toujours un thermomètre à viande pour évaluer la température interne des aliments que vous cuisinez. Fumer la nourriture avec des granulés de bois fait rosir la viande et la volaille. La bande rose (après la cuisson) est aussi appelée **anneau de fumée** et est très appréciée.
- Il est fortement recommandé d'appliquer les sauces à base de sucre vers la fin de la cuisson pour éviter les brûlures et flambées.
- Laissez un espace de dégagement entre les aliments et les extrémités du baril pour une bonne circulation de la chaleur. Beaucoup d'aliments sur une grille de cuisson encombrée prendront plus de temps à cuire.
- Utilisez des pinces avec une longue poignée pour retourner toutes les viandes et des spatules pour retourner les burgers et le poisson. L'utilisation d'un ustensile perçant, comme une fourchette, permet de piquer la viande et de laisser s'évacuer les jus.
- Les aliments dans des casseroles profondes nécessitent plus de temps pour cuire que dans une poêle peu profonde.
- C'est une bonne idée de mettre les aliments grillés sur une grande assiette préchauffée pour garder vos aliments chauds. Les viandes rouges comme les steaks et rôtis seront meilleurs si vous les laissez reposer pendant quelques minutes avant de les servir. Ceci permet aux jus délicieux que la chaleur a fait remonter à la surface de retourner au centre et de lui donner plus de saveur.

DÉPANNAGE

Un bon nettoyage et un bon entretien, ainsi que le fait d'utiliser du combustible propre, sec et de qualité aidera à prévenir la plupart des problèmes de fonctionnement du gril. Toutefois, quand votre fumoir à granulés de bois Pit Boss® ne fonctionne pas bien ou moins fréquemment, les conseils de dépannage suivants peuvent être utiles.

Pour les FAQ, rendez-vous sur www.pitboss-grills.com. Vous pouvez également contacter votre revendeur agréé local Pit Boss® ou contacter le Service à la clientèle pour obtenir de l'aide.

AVERTISSEMENT : Débranchez toujours le cordon électrique avant d'ouvrir la plaque d'inspection de votre fumoir pour effectuer toute inspection, nettoyage, maintenance ou entretien. Veillez à ce que le fumoir soit complètement froid pour éviter des blessures.

PROBLÈME	CAUSE	SOLUTION
Aucun témoin lumineux ne s'allume.	Bouton de alimentation	Appuyez sur le bouton Power (Alimentation). Essayez encore une fois et maintenez le bouton appuyé pendant deux secondes pour vérifier la connexion.
	Non branché à la source d'alimentation, la prise DDFT s'est déclenchée	Assurez-vous que le fumoir est branché à une prise d'alimentation qui fonctionne. Réinitialisez le disjoncteur. Vérifiez que le DDFT est porté au minimum à 10 ampères (voir Diagramme des fils électriques pour accéder aux composants électriques). Vérifiez que tous les raccords de câbles sont connectés fermement et secs.
	Un fusible a grillé sur le tableau de contrôle	Retirez les composants de cuisson de l'armoire principale du fumoir. Tournez l'appareil sur le côté et retirez les vis à l'arrière du panneau de commande. Vérifiez le fusible pour voir s'il y a un fil cassé ou si le fil est devenu noir. Si c'est le cas, remplacez-le manuellement par un nouveau fusible.
	Panneau de commande défectueux	Le panneau de commande doit être remplacé. Contactez le service à la clientèle pour des pièces de rechange.
Le feu dans le pot de combustion ne s'allume pas.	La vis sans fin n'est pas amorcée	Avant que l'appareil ne soit utilisé pour la première fois ou lorsque la trémie est complètement vidée, la vis sans fin doit être amorcée pour permettre aux granulés de remplir le pot de combustion. S'il n'est pas amorcé, l'allumeur s'éteindra avant que les granulés ne s'enflamment. Suivez la procédure d'amorçage de la trémie .
	Moteur de la vis sans fin est coincé	Retirez les composants de cuisson de l'armoire principale du fumoir. Appuyez sur le bouton Power (Alimentation) pour allumer l'unité, tournez le cadran de réglage sur SMOKE, et inspectez le système d'alimentation de la vis sans fin. Confirmez visuellement que la vis sans fin fait tomber des granulés dans le pot de combustion. S'il ne fonctionne pas correctement, contactez le service à la clientèle pour obtenir de l'aide ou des pièces de rechange.
	Panne de l'allumeur	Retirez les composants de cuisson de l'armoire principale du fumoir. Appuyez sur le bouton Power (Alimentation) pour allumer l'unité, tournez le cadran de réglage sur SMOKE et inspectez l'allumeur. Confirmez visuellement que l'allumeur fonctionne en plaçant votre main au-dessus du pot de combustion et en sentant s'il émet de la chaleur. Confirmez visuellement que l'allumeur dépasse environ 13 mm / 0,5 pouces dans le pot de combustion. S'il ne fonctionne pas correctement, suivez la procédure de démarrage manuelle pour continuer à utiliser le fumoir; cependant, communiquez avec le Service à la clientèle pour obtenir de l'aide ou une pièce de rechange.
Points clignotants sur l'écran DEL	L'allumeur est sur « ON » (ALLUMÉ)	Ceci n'est pas une erreur qui a une incidence sur l'unité. Utilisé pour démontrer que l'unité est allumée et est en mode de Mise en marche (l'allumeur est allumé). L'allumeur s'éteindra après 5 minutes. Une fois que les points clignotants disparaissent, l'unité commence à s'ajuster à la température désirée sélectionnée.
La température clignote sur l'écran DEL	La température de l'unité est inférieure à 65°C / 150°F	Ceci n'est pas une erreur qui a une incidence sur l'unité; néanmoins elle est utilisée pour démontrer qu'il y a un risque que le feu pourrait s'éteindre. Vérifiez qu'il y a suffisamment de combustible dans la trémie ou s'il y a obstruction dans le système d'alimentation. Retirez les granulés et suivez les instructions d'entretien et de maintenance. Vérifiez la sonde de grille et suivez les instructions d'entretien et de maintenance si elle est sale. Vérifiez le pot de combustion pour déceler la présence de toute accumulation de cendres ou d'obstructions et suivez les instructions d'entretien et de maintenance en cas d'accumulation de cendres. Contrôlez le ventilateur. Assurez-vous qu'il fonctionne correctement et que l'entrée d'air n'est pas bloquée. Suivez les instructions d'entretien et de maintenance si elle est sale. Vérifiez le moteur de la vis sans fin pour confirmer le fonctionnement (rotation) et assurez-vous qu'il n'y a pas de blocage dans le tube de la vis sans fin.

Code erreur « ErH »	Le fumoir a surchauffé, possiblement en raison d'un feu de graisse ou d'un excès de combustible.	Appuyez et maintenez enfoncé le bouton « Power » (Alimentation) pour éteindre l'unité, et laissez le fumoir refroidir. Suivez les instructions d'entretien et de maintenance. Après l'entretien, enlevez les granulés en trop et confirmez que les parties composantes sont bien placées. Après avoir enlevé les composantes de cuisson, appuyez sur le bouton « Power » (Alimentation) pour allumer l'unité puis sélectionner la température souhaitée. Si un code d'erreur s'affiche encore, veuillez contacter le service à la clientèle.
Code erreur « Er1 »	Le fil de la sonde de grille n'établit pas de connexion	Accédez aux composants électriques sur la base de l'unité (voir Schéma électrique) et vérifiez que les fils de la sonde de grille ne sont pas endommagés. Assurez-vous que les connecteurs Molex de sonde de grille sont fermement et correctement connectés au tableau de commande.
Code d'erreur « noP »	Mauvaise connexion au port de connexion	Déconnectez la sonde à viande du port de connexion situé sur le tableau de commande, puis reconnectez. Assurez-vous que l'adaptateur de la sonde thermique est connecté fermement. Vérifiez que l'extrémité de l'adaptateur n'est pas endommagée. Si le message d'erreur apparaît toujours, contactez le service à la clientèle pour des pièces de rechange.
	La sonde thermique est endommagée	Vérifiez si les fils de la sonde thermique sont endommagés. Si c'est le cas, veuillez contacter le service à la clientèle pour des pièces de rechange.
	Panneau de commande défectueux	Le panneau de commande doit être remplacé. Contactez le service à la clientèle pour des pièces de rechange.
Le fumoir n'atteint pas ou n'arrive pas à maintenir une température stable	Le flux d'air dans le pot de combustion est insuffisant	Vérifiez le pot de combustion pour déceler la présence de toute accumulation de cendres ou d'obstructions. Suivez les instructions d'entretien et de maintenance en cas d'accumulation de cendres. Contrôlez le ventilateur. Assurez-vous qu'il fonctionne correctement et que l'entrée d'air n'est pas bloquée. Suivez les instructions d'entretien et de maintenance si elle est sale. Vérifiez le moteur de la vis sans fin pour confirmer le fonctionnement et assurez-vous qu'il n'y a pas de blocage dans le tube de la vis sans fin. Assurez-vous que tout ce qui a été mentionné ci-dessus a été effectué, démarrez le fumoir, réglez la température sur SMOKE e et patientez pendant 10 minutes. Vérifiez que la flamme produite est vive et lumineuse.
	Manque de carburant, Carburant de mauvaise qualité, Blocage dans le système d'alimentation	Vérifiez que le niveau de carburant de la trémie est suffisant et remplissez-le s'il est faible. Si la qualité des pastilles de bois est mauvaise, ou si les pastilles sont trop longues, ceci pourrait entraîner une obstruction du système d'alimentation. Retirez les granulés et suivez les instructions d'entretien et de maintenance .
	Sonde de grille	Vérifiez le statut de la sonde de grille. Suivez les instructions d'entretien et de maintenance si elle est sale. Contactez le service à la clientèle pour des pièces de rechange, en cas d'endommagement.
Le fumoir produit de la fumée excessive ou décolorée	Accumulation de graisse	Suivez les instructions d'entretien et de maintenance .
	Qualité des granulés de bois	Retirez les granulés de bois humides de la trémie. Suivez les instructions d'entretien et de maintenance pour le nettoyage. Remplacez par des granulés de bois secs.
	Le pot de combustion est bloqué	Retirez les granulés de bois humides du pot de combustion. Suivez la procédure d'amorçage de la trémie .
	Entrée d'air insuffisante pour le ventilateur	Contrôlez le ventilateur. Assurez-vous qu'il fonctionne correctement et que l'entrée d'air n'est pas bloquée. Suivez les instructions d'entretien et de maintenance si elle est sale.
Embrassements fréquents	Température de cuisson	Essayez de cuisiner à une température plus basse. La graisse possède un point d'ignition. Gardez la température en-dessous de 176°C / 350°F lorsque vous cuisinez des aliments très gras.
	Accumulation de graisse sur les composantes de cuisson	Suivez les instructions d'entretien et de maintenance .

DIAGRAMME DES FILS ÉLECTRIQUES

Le système du centre de commande numérique est un matériel technologique hautement sophistiqué et de grande valeur. Pour une protection contre les surtensions et les courts-circuits électriques, consultez le schéma de fil ci-dessous pour vous assurer que votre source d'alimentation est suffisante pour le fonctionnement de l'appareil.

EXIGENCES ÉLECTRIQUES LG

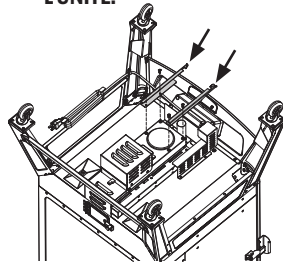
110-120 V, 60 Hz, 250 W, FICHE À 3 BROCHES AVEC MISE À LA TERRE

REMARQUE : Les composants électriques, passés par les tests de sécurité des produits et les services de certification, sont conformes avec une tolérance de test de ± 5 à 10%.

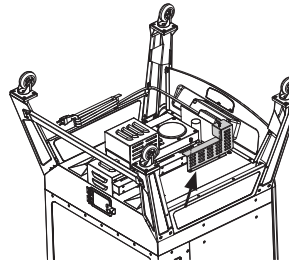
- 1** DÉBRANCHER L'ALIMENTATION AVANT D'EFFECTUER L'ENTRETIEN OU LA MAINTENANCE DE L'UNITÉ.



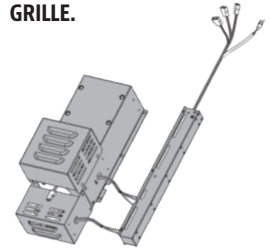
- 2** RETIREZ LES DEUX SUPPORTS DU PLATEAU À GRAISSE DU DESSOUS DE L'UNITÉ.



- 3** ENLEVEZ LE BOÎTIER DES CÂBLES DU DESSOUS DE L'UNITÉ.



- 4** ACCÉDEZ AUX COMPOSANTS DE CÂBLAGE SITUÉS DANS LE BOÎTIER DE LA SONDE DE GRILLE.



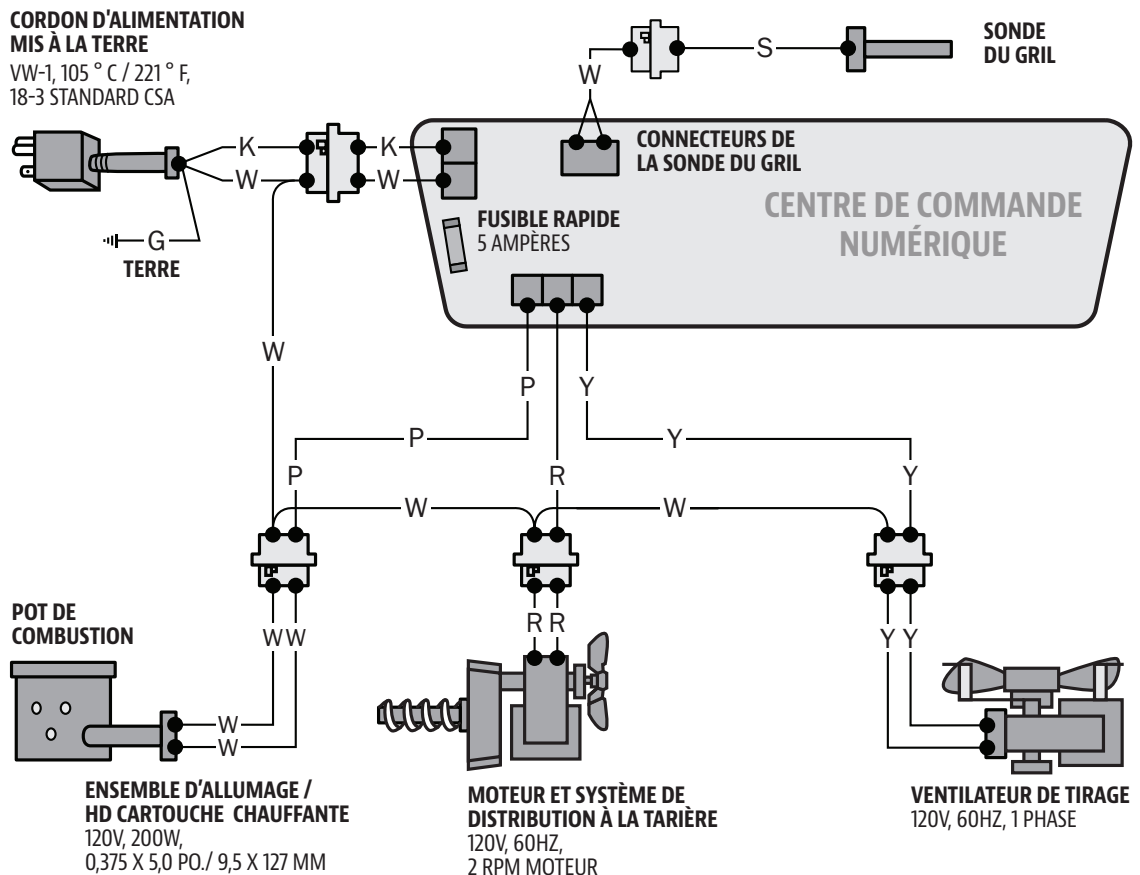
INDICE DE CONSOMMATION DE CARBURANT:
1,1 KG/H
(2,4 LB/H)

INDICE

W : BLANC
Y : JAUNE
P : MAUVE
R : ROUGE
K : NOIR
S : ARGENT

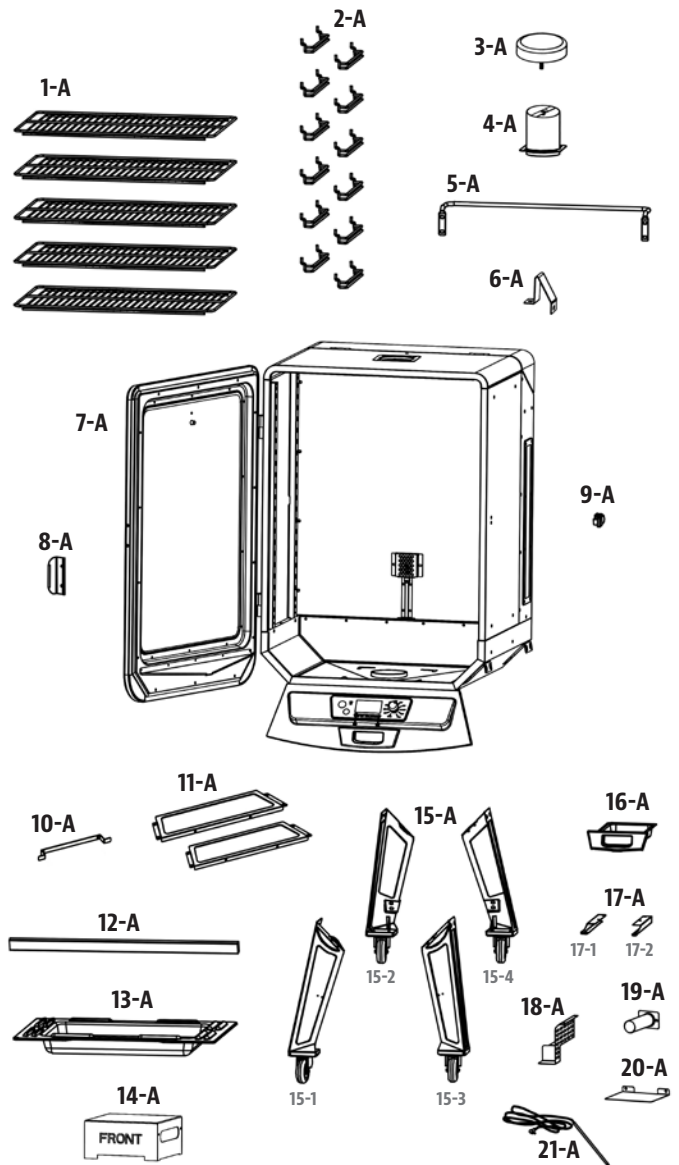
CORDON D'ALIMENTATION MIS À LA TERRE

VW-1, 105 ° C / 221 ° F,
18-3 STANDARD CSA

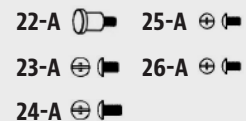


PIÈCES DE RECHANGE DU FUMOIR

No.	Description
1-A	Grilles de cuisson (x5)
2-A	Supports de la grille de cuisson (x12)
3-A	Capuchon de cheminée (x1)
4-A	Sortie de la cheminée (x1)
5-A	Poignée arrière (x1)
6-A	Bouchon du couvercle (x1)
7-A	Armoire principale (x1)
8-A	Poignée de porte d'armoire (x1)
9-A	Crochet de verrouillage de la porte d'armoire (x1)
10-A	Support de cordon d'alimentation (x1)
11-A	Panneaux de support (x2)
12-A	Barre d'appui (x1)
13-A	Réservoir d'eau (x1)
14-A	Réducteur de flamme (x1)
15-A	Pied de support avec roue (x4)
16-A	Plateau à graisse (x1)
17-A	Supports du plateau à graisse (x2)
18-A	Boîtier des câbles (x1)
19-A	Tube d'évacuation des graisses (x1)
20-A	Écran thermique (x1)
21-A	Sonde thermique (x1)
22-A	Bouton de porte (x1)
23-A	Vis ¼-20x½ po (x12)
24-A	Vis ¼-20x⅝ po (x4)
25-A	Vis #10-24x½ po (x34)
26-A	Vis #10-24x⅙ po (x2)

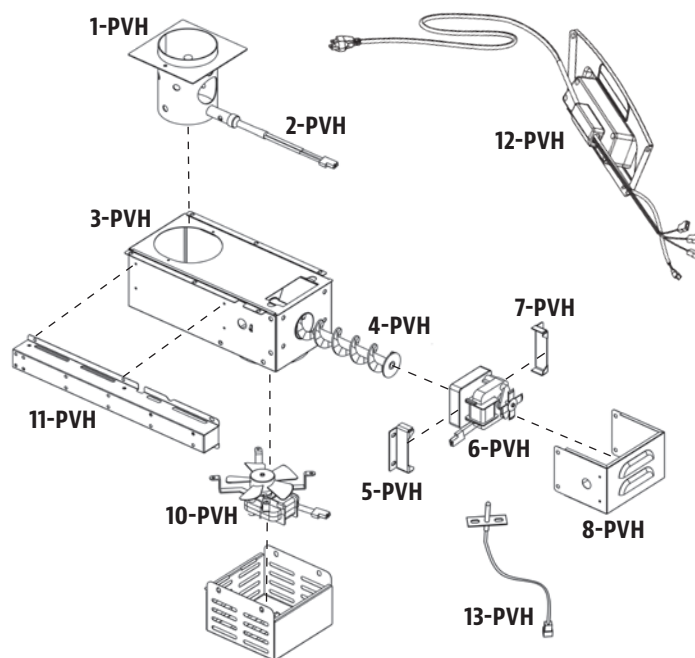


REMARQUE : En raison du développement continu du produit, les pièces peuvent être modifiées sans préavis.



PIÈCES DE RECHANGE ÉLECTRIQUES

No	Description
1-PVH	Pot de combustion (x1)
2-PVH	Allumeur (x1)
3-PVH	Boîtier de la trémie (x1)
4-PVH	Assemblage du filet de vis sans fin (x1)
5-PVH	Support gauche du moteur de la vis sans fin (x1)
6-PVH	Moteur de la vis sans fin (x1)
7-PVH	Support droit du moteur de la vis sans fin (x1)
8-PVH	Boîtier du moteur de la vis sans fin (x1)
9-PVH	Boîtier du ventilateur de combustion (x1)
10-PVH	Ventilateur de combustion (x1)
11-PVH	Boîtier de la sonde de grille (x1)
12-PVH	Panneau de commande (x1)
13-PVH	Sonde de grille (x1)



GARANTIE

CONDITIONS

Tous les grils de granules de bois de Pit Boss® Grills, fabriquées par Dansons, contiennent une garantie limitée à partir de la date de vente par le propriétaire initial. La garantie entre en vigueur la date d'achat, et une preuve de la date d'achat ou copie de votre achat de vente original est requise pour valider la garantie. Si le client n'est pas en mesure de produire une preuve de l'achat ou si la date de couverture de la garantie est dépassée, il sera tenu de payer les pièces, l'expédition et la main-d'œuvre.

Dansons offre une garantie de cinq (5) ans contre les défauts et la main d'œuvre sur toutes les pièces en acier (à l'exception de la grille de combustion), et cinq (5) ans sur les composants électriques. Dansons garantit que toutes les parties sont exemptes de défauts de matériel et de fabrication, pour la durée d'utilisation et de propriété de l'acheteur initial. Il n'existe pas de garantie particulière pour la sonde du gril, la sonde thermique, la peinture, le fini en peinture en poudre, la grille de combustion, le couvercle du gril et tous les joints ou contre tout dommage causé par la corrosion. La garantie ne couvre pas les dommages causés par l'usure, tels que les rayures, les bosses, les coups, les éclats ou les fissures cosmétiques mineures. Ces changements esthétiques du gril n'affectent pas sa performance. La réparation ou le remplacement d'une pièce ne prolonge pas la garantie limitée.

Pendant la période de la garantie limitée, l'obligation de Dansons sera limitée à fournir le remplacement des composants couverts et/ou défectueux. Tant que cela se produit pendant la période de la garantie, Dansons ne vous facturera pas sur la réparation ou le remplacement des pièces retournées, le port-payé, si Dansons détermine que ces pièces se révèlent défectueuses après inspection. Dansons ne sera pas tenu responsable des frais de transport, du coût salarial ou des droits d'exportation. Sauf disposition contraire dans ces conditions de garantie, la réparation ou le remplacement des pièces de la façon et pour la durée fixée ci-dessous, remplira le devoir de toutes les responsabilités et obligations directes et dérivées de Dansons envers vous.

Dansons prend toutes les précautions pour utiliser les matériaux qui résistent à la formation de la rouille. Même avec ces garanties, le revêtement protecteur peut être compromis par diverses substances et conditions qui échappent au contrôle de Dansons. Les hautes températures, l'humidité excessive, le chlore, les gaz industriels, les engrais, les pesticides utilisés pour les pelouses et le sel sont quelques-unes des substances pouvant affecter les revêtements métalliques. C'est pour ces raisons que les garanties limitées ne couvrent pas la rouille ni l'oxydation, à moins que le composant du gril présente une perte d'intégrité structurelle. Si les scénarios décrits ci-dessus devaient se produire, veuillez vous référer à la section de soin et d'entretien pour prolonger la durée de vie de votre appareil. Dansons recommande l'utilisation d'une couverture de gril lorsqu'il n'est pas utilisé.

Les garanties s'appliquent à un usage domestique et utilisation normale du gril et aucune des garanties limitées ne s'applique à un gril utilisé pour des applications commerciales.

EXCEPTIONS

Il n'existe pas de garantie de performance écrite ou implicite sur les appareils Pit Boss® Grills car le fabricant ne contrôle pas l'installation, le fonctionnement, le nettoyage, l'entretien ou le type de combustible brûlé. La garantie limitée ne s'appliquera pas, et Dansons n'assumera aucune responsabilité, si votre appareil n'a pas été installé, opéré, nettoyé et entretenu conformément aux instructions du fabricant. La combustion de tout autre élément différent des granules de bois de qualité pourrait annuler la garantie. La garantie ne couvre pas les dommages ou ruptures causées par une mauvaise utilisation, mauvaise manutention ou des modifications.

Dansons et les fournisseurs autorisés Pit Boss® Grills déclinent toute responsabilité, légale ou autre, quant aux dommages accidentels ou consécutifs à la propriété ou aux personnes résultant de l'utilisation de ce produit. Si une réclamation est retournée contre Dansons basée sur la violation de cette garantie ou de tout autre type de garantie explicite ou implicite en droit, le fabricant ne sera en aucun cas tenu responsable des dommages-intérêts spéciaux, punitifs ou indirects de quelque nature que ce soit en surplus du prix d'achat original de ce produit. Toutes les garanties du fabricant sont énoncées ici et aucune réclamation ne sera effectuée contre le fabricant par le biais d'une garantie ou de représentation.

Certaines provinces n'autorisent pas l'exclusion ou la limitation des dommages accidentels ou consécutifs, ou les limitations des garanties implicites, de sorte qu'il est possible que les exclusions et limitations énoncées dans cette garantie limitée ne s'appliquent pas à vous. Cette garantie limitée vous donne des droits légaux spécifiques, et vous pourriez aussi avoir d'autres droits légaux qui pourront varier selon l'état ou la province.

COMMANDE DE PIÈCES DE REMPLACEMENT

Pour commander des pièces de rechange, veuillez communiquer avec votre revendeur local ou visiter notre boutique en ligne à l'adresse suivante : www.pitboss-grills.com

APPELEZ LE SERVICE À LA CLIENTÈLE

Si vous avez des questions ou des problèmes, veuillez communiquer avec le Service à la clientèle.

États-Unis : (480) 923-9630 | Canada (sans frais) : 1-877-942-2246

SERVICE DE GARANTIE

Appelez votre fournisseur Pit Boss® Grills le plus proche pour une réparation ou un remplacement de vos pièces. Dansons exige une preuve d'achat pour établir une réclamation sous garantie; Conservez donc votre reçu ou facture originale pour référence future. Le numéro de série et de modèle de votre appareil Pit Boss® Grills se trouve sur la trémie. Enregistrez les numéros ci-dessous, car l'étiquette peut s'user ou devenir illisible.

MODÈLE

NUMÉRO DE SÉRIE

DATE D'ACHAT

CONCESSIONNAIRE AUTORISÉ

ACCESSOIRES VENDUS SÉPARÉMENT

Disponible à l'achat séparément. Accessoires non disponibles et fournis par tous les concessionnaires autorisés de Pit Boss®.

ARTICLE	DESCRIPTION
	HOUSSE DU GRIL Coupe ajustée, couverture complète. Fait de polyester résistant avec endos de PVC pour une utilisation de longue durée. Résistant à l'eau. Comprend un lacet de serrage pour un resserrement facile.
	TAPIS PROTECTEUR POUR BBQ Facile à nettoyer, protection contre les UV. Protection pour votre patio. 132cm x 86cm / 52" x 34"
	JEU D'OUTILS 3 PIÈCES De la préparation à la présentation, vous êtes couvert de ces bases du barbecue. <i>Lave-vaisselle. Acier inoxydable.</i>
	BASCULE À PIZZA Basculez la lame d'un côté à l'autre pour couper, en vous assurant que tout reste à la place. <i>Lavage à mains. Acier inoxydable.</i>
	PRESSE À HAMBURGER 3 EN 1 Fabriquez des burgers et des curseurs classiques exquis, ou mettez tout en œuvre pour créer des créations farcies qui vous mettront l'eau à la bouche. <i>Lave-vaisselle. Plastique.</i>
	CASIER À BACON Les bacs à graisse recueillent toute la graisse de bacon, empêchant ainsi les flambées et assurant une cuisson parfaite du bacon. <i>Lave-vaisselle. Revêtement antiadhésif.</i>
	PLATEAU DE DÉGIVRAGE Accélérez le processus de décongélation sans utiliser de micro-ondes. Décongelez vos aliments deux fois plus vite en utilisant le maillage en aluminium moulé du plateau. <i>Lavage à mains. Fonte d'aluminium.</i>

ARTICLE	DESCRIPTION
	TABLIER POUR LE GRIL Ce tablier ajustable a deux poches pratiques à l'avant qui permettront de tenir les outils du grill. Taille unique. Lavable à la machine.
	GANT DE GRILLADE Manipulez les casseroles et les casseroles en fonte sans hésiter. Résiste à des températures extrêmes pouvant atteindre 246 ° C (475 ° F).
	SAUCES SIGNATURE Une collection de sauces gastronomiques pour préparer et améliorer les saveurs naturelles de votre nourriture.
	ÉPICES SIGNATURE Une collection d'épices gastronomiques pour préparer et améliorer les saveurs naturelles de votre nourriture.
	SONDE À VIANDE Une fois connecté, la température des aliments est affichée par le tableau de commande.
	LAMPE DE GRILLADE LCD Comprend 9 ampoules à LCD, un collier de serrage et un cou flexible de 12 pouces qui vous permet d'ajuster la visibilité. 3 piles AAA requises. Piles non incluses.

RECETTES

FLÉTAN FUMÉ

4 portions

Saveur de copeaux de bois suggérée : Caryer / Cerisier / Mesquite

Ingrédients :

900g / 2 lbs de filets de flétan
125 ml / ½ c. de beurre
15 ml / 1 c. à s. d'aneth frais

Instructions :

1. Nettoyez les filets abondamment à l'eau froide et déposez-les sur un essuie-tout en papier jusqu'à ce que l'eau ne soit plus visible.
2. Faire fondre un bâton entier de beurre et saupoudrer une quantité généreuse d'aneth fraîche dans le beurre fondu. Déposez les filets sur du papier d'aluminium et pliez autour des rebords pour contenir le beurre. À l'aide d'un pinceau à badigeonner, badigeonnez les deux côtés du filet de poisson avec le mélange de beurre et d'aneth.
3. **Préchauffer le fumoir, puis réglez à 107°C / 225°F.**
4. Placez le poisson dans le fumoir. Vérifiez les filets toutes les 15 minutes pour voir s'ils ont l'air humides. Badigeonnez du mélange de beurre et d'aneth quand c'est nécessaire. Le poisson devrait commencer à s'effriter après environ 45 minutes.
5. Lorsque le poisson s'effrite très facilement, sortez-le du fumoir et servez.

POULES DE CORNOUAILLES FUMÉES

4 portions

Saveur de copeaux de bois suggérée : Caryer / Mesquite / Compétition

Ingrédients :

4 poules de Cornouailles
750 ml / 3 c. de riz Mandarin
15 ml / 1 c. à s. d'huile d'olive
5 ml / 1 c. à t. de paprika fumé
250 ml / 1 c. de marmelade d'orange

Instructions :

1. **Préchauffez le fumoir, puis réglez la température à 135-177°C/275-350°F.**
2. Rincez les poules de Cornouailles et essuyez à l'aide d'un papier absorbant. Badigeonnez légèrement les poules avec de l'huile; saupoudrez avec du paprika.
3. Placez les poules de Cornouailles dans le fumoir. Fumez pendant 45 à 60 minutes, jusqu'à ce que la viande soit tendre lorsqu'on la presse.
4. Badigeonnez les poules avec la marmelade à l'orange pendant les 20 dernières minutes de cuisson. Enlevez du fumoir et présentez sur un plateau de service.

Comment préparer : SAUCE POUR POULET

Si vous aimez utiliser la graisse et les jus qui se sont écoulés pour en faire une sauce onctueuse, alors placez la dinde sur une grille à l'intérieur d'un grand plat à rôtir en aluminium. Ajoutez environ 0,6 cm / ¼ po d'eau ou de bouillon et des épices dans le fond de la poêle. Surveillez les jus, vous devrez peut-être en ajouter plus pendant la cuisson.

POITRINE DE BOEUF FUMÉE

4 à 6 portions

Saveur de copeaux de bois suggérée : Caryer / Compétition

Une poitrine entière de bœuf pèse environ 7,25 à 3,62 kg / 16 à 18 livres et possède trois parties distinctes : la couronne, le bout et la section plate. Utilisez la section plate car elle est maigre, compacte et produit de très belles tranches lorsque vous la tranchez.

Ingrédients :

1 Poitrine de bœuf
2,2-3,6 kg / 5-8 lbs,
0,6 cm / ¼ po d'épaisseur de graisse

1 bouteille de moutarde jaune préparée
75 ml / 5 c. à s. d'assaisonnement
1 bouteille de sauce au piment fort
1 paquet de mélange sec de soupe aux oignons
375 ml / 1 ½ c. de bouillon de bœuf
40 ml / 8 c. à t. de poivre noir

Instructions :

1. Déposez une grande pellicule de plastique sur votre station de cuisine. Assez grande pour enrober une poitrine de bœuf. À l'aide d'un couteau aiguisé, faites une marque sur le dessous de la poitrine, une seule fois à contre sens. Ceci vous aidera à couper la poitrine une fois qu'elle est cuite, la coupe à contre sens vous offrira également un morceau de viande tendre qui fond dans la bouche. Le dessous est le côté non-gras, avec la couronne. Enduire avec une généreuse portion de moutarde préparée. Frottez légèrement sur toute la surface. Saupoudrer une bonne quantité d'assaisonnement sur la moutarde, puis frottez délicatement sur toute la surface. Retournez la poitrine de bœuf et répétez le processus. Enroulez la poitrine dans la feuille de plastique et conservez au frigo pendant la nuit ou pour environ 2 à 4 heures.
2. Préparez le mélange de badigeonnage. Mélangez la sauce au chili, le mélange de soupe à l'oignon sec, le bouillon de bœuf et le poivre noir. Laisser reposer.
3. **Préchauffez le fumoir, puis baissez la température à 82-107°C/180-225°F.**
4. Placez la poitrine, côté gras vers le haut, au centre du fumoir préchauffé. Fermez la porte de l'armoire. Faites cuire à fumée chaude (hot smoke) jusqu'à ce que la viande soit tendre, environ 10-12 heures. Badigeonnez la poitrine avec le mélange préparé toutes les demi-heures pendant les 3 premières heures.
5. Continuez le processus de fumage lent jusqu'à ce que la température atteigne 60-66°C / 140-150°F. Enlevez la poitrine du fumoir. **Faites monter la température du fumoir à 176°C / 350°F.**
6. Placez la poitrine dans une poche en aluminium double couche. Versez 50 ml / ¼ de tasse de mélange de badigeonnage sur la poitrine dans la poche. Fermez la poche.
7. Déposez la poche délicatement sur le fumoir. Faites fumer pendant 1 à 1 ½ heures.

- Ouvrez la poche et utilisez un thermomètre à viande; La température interne doit atteindre 91°C / 195°F. La poitrine devrait être ferme, mais vous devriez quand même être en mesure de déchirer la viande à l'aide de vos doigts.
- Transférez la viande à un plateau et laissez-la reposer pendant 10 minutes. Coupez des tranches minces à contre sens pour servir.

RÔTI DE BOEUF FUMÉ

6 à 8 portions

Saveur de copeaux de bois suggérée : Caryer / Pacanier / Compétition

Ingrédients :

900 g / 2 lbs	de rôti de bœuf de choix
	<small>0,9 kg / 2 lbs.</small>
10 gousses	d'ail (hachées)
45 ml / 2 c. à s.	d'assaisonnement
10 ml / 2 c. à t.	de sel
10 ml / 2 c. à t.	de poivre

Instructions :

- Préchauffer le fumoir, puis réglez à 135°C / 275°F.
- Mettez le côté gras du rôti vers le haut et attachez une extrémité de la ficelle ou ficellez fermement un côté du rôti. Continuez à nouer et à attacher le reste du rôti, en faisant une jolie présentation.
- Rincez le bœuf et essuyez à l'aide d'un papier absorbant.
- Assaisonnez selon votre goût le rôti entier avec de l'ail, du sel, du poivre et de l'assaisonnement. Laissez reposer le rôti pendant 10 minutes pour que l'assaisonnement adhère.
- Placez le rôti dans le fumoir. Fumez pendant 45 à 60 minutes, jusqu'à ce que la température interne atteigne 51 ° C / 125 ° F. Utilisez une sonde à viande pour mieux surveiller le milieu du rôti.
- Retirez soigneusement le rôti du fumoir et couvrez de papier aluminium. La température de la viande continuera à augmenter de 3°C / 5°F pour obtenir une cuisson médium saignante de 54°C / 125°F. Laissez la viande reposer 10 minutes avant de couper les tranches.

CÔTES FUMÉES

4 à 6 portions

Saveur de copeaux de bois suggérée : Caryer / Pomme / Compétition

Ingrédients :

1.3-1.8 kg / 3-4 lbs	de côtelettes
	<small>Travers de porc charnus / Côtes levées de flanc</small>
5 ml / 1 c. à t.	de sel
5 ml / 1 c. à t.	de poivre

Instructions :

- Préchauffez le fumoir, puis baissez la température à 82-107°C / 180-225°F.
- Retirez les côtes de l'emballage et égouttez tout le liquide, puis lavez-les à l'eau froide.
- Placez sur une planche à découper et enlevez tout excès de graisse ou de peau des côtes. Tournez les côtes de manière à ce que l'os soit vers le haut. Préparez les côtes en enlevant la

couche épaisse de peau (membrane) à l'arrière. Saupoudrez les côtes avec du sel et du poivre, selon votre goût.

- Placez les côtes dans le fumoir de manière à ce que l'os soit vers le bas.
- Au bout d'une heure, retournez les côtes et laissez cuire une heure. Après 2 heures et demie, selon la couleur que vous aimez, versez une bande de 1 pouce de large de votre sauce barbecue préférée sur toute la longueur de la côte et enroulez-la fermement dans une feuille d'aluminium. Remettez-les dans le fumoir et vérifiez toutes les 15 à 20 minutes pour voir si les os des côtes se séparent en utilisant votre doigt pour les séparer. Si elles se séparent facilement, vos côtes sont cuites; la température interne de vos côtes devrait être de 77°C / 170°F.
- Sortez-les du fumoir et laissez reposer sur un plat de service jusqu'à ce qu'elles aient suffisamment refroidies pour être mangées.

Variante : MÉTHODE STYLE MEMPHIS

Réglez la température du fumoir au maximum (204°C / 400°F). Placez les côtes sur le fumoir et assaisonnez ou frottez avec un assaisonnement sec pendant 5 à 8 minutes. Retirez du fumoir et servez.

FILET DE PORC FARCI FUMÉ

4 à 8 portions

Saveur de copeaux de bois suggérée : Pomme / Caryer / Cerise

Ingrédients :

1 fillet	de porc entier
	<small>3,6 kg / 8 lbs</small>
1 pot	de sauce
15 ml / 1 c. à s.	de poudre de chili
15 ml / 1 c. à s.	de cassonade
5 ml / 1 c. à t.	de paprika fumé
45 ml / 3 c. à s.	de miel (chaud)
une pincée	de cannelle moulue

Instructions :

- Préchauffez le fumoir, puis réglez à 107-135°C / 225-275°F.
- Sortez le filet de porc de l'emballage, rincez-le soigneusement avec de l'eau froide et essuyez à l'aide d'un papier absorbant.
- Placez un morceau de film plastique sur une planche à découper, puis placez le filet de porc dessus et coupez la viande aux $\frac{3}{4}$ dans son épaisseur. Mettez le filet de porc pour la mettre à plat et placez un deuxième film plastique sur le dessus. Utilisez un attendrisseur à viande ou un rouleau à pâtisserie pour battre la viande jusqu'à ce qu'elle soit aplatie.
- Disposez la sauce au centre du filet de porc. Rabattez les côtés et roulez le filet de porc (comme une brioche à la cannelle) avec soin pour répartir la sauce de façon uniforme. En utilisant de la ficelle, attachez le filet de porc aux deux extrémités et au milieu pour bien le fixer.
- Dans un bol, mélangez la poudre de chili, la cassonade, le paprika fumé et la cannelle moulue. Mélangez bien. Badigeonnez le filet de porc avec le miel réchauffé. Saupoudrez le mélange sur tout le filet.
- Lorsque le porc est complètement enrobé, placez-le à l'intérieur du fumoir. Fumez le filet pendant environ 2,5 à 3 heures ou jusqu'à

ce que la température interne du porc atteigne 62°C / 145°F.

7. Sortez-le du fumoir, coupez et servez immédiatement.

POULET FUMÉ

2 à 6 portions

Saveur de copeaux de bois suggérée : Caryer / Pomme / Compétition

Ingrédients :

1 poulet entier
1,8-2,7 kg / 4-6 lbs
45 ml / 3 c. à s. d'assaisonnement ou de marinade

Instructions :

1. **Préchauffez le fumoir, puis réglez à 107-135°C / 225-275°F.**
2. Retirez les morceaux de poulet de l'emballage, lavez-les bien et placez-les sur une serviette en papier pour les faire sécher.
3. Versez l'assaisonnement ou la marinade sur les deux côtés des morceaux de poulet.
4. Placez le poulet dans le fumoir, côté poitrine vers le haut. Après 30 minutes, retournez les morceaux. À l'aide de votre sonde à viande, vérifiez la température interne en poussant la sonde dans la viande dans la partie la plus proche de l'os. Quand la température interne atteint 82°C / 180°F, le poulet est cuit.

CONSEIL : Vous pouvez badigeonner le poulet de votre sauce barbecue préférée au cours des 15 dernières minutes de cuisson pour ajouter un peu de piquant.

5. À l'aide de pinces, retirez délicatement le poulet du fumoir. Laissez reposer pendant cinq minutes. Découpez le poulet et servez-le.

VARIANTE : MARINADE DANS LE RÉSERVOIR D'EAU

Suivez la même méthode décrite ci-dessus, mais au lieu d'utiliser de la bière, vous pouvez utiliser votre boisson préférée comme du cola (pas light), du jus de fruit ou de l'eau assaisonnée.

SAUCISSE FUMÉE AVEC SAUCE CHUTNEY À LA MANGUE

4 à 6 portions

Saveur de copeaux de bois suggérée : Caryer / Pomme / Compétition

Ingrédients :

0.9 kg / 2 lbs de saucisse italienne (piquante ou douce)
2 Mangues entières (tranchées finement)
10 ml / 2 c. à t. de persil frais (haché)
15 ml / 1 c. à s. de poivron rouge (coupé en dés)
10 ml / 2 c. à t. de miel
½ Oignon rouge (coupé en dés)
½ bulbe de fenouil (coupé en dés)
5 ml / 1 c. à t. de jus de lime
une pincée de sel

Instructions :

1. **Préchauffez le fumoir, puis baissez la température à 82-107°C/180-225°F.**

2. Placez les saucisses sur le grilles de cuisson, espacées uniformément. Fumez pendant 25-30 minutes jusqu'à ce qu'elles soient cuites.
3. Combinez tous les ingrédients restants pour fabriquer le chutney. Réfrigérez jusqu'à ce que vous soyez prêt à servir.
4. Retirez les saucisses du fumoir. Coupez la saucisse en diagonale, puis servez avec le chutney sur le côté.

DINDE ENTIÈRE FUMÉE

Nourrit une petite armée - les restes sont délicieux!

Saveur de copeaux de bois suggérée : Caryer / Cerisier / Compétition

Ingrédients :

1 dinde entière (Dégelée)
9-11,3 kg / 20-25 lbs
60 ml / 4 c. à s. d'assaisonnement ou de marinade
5 ml / 1 c. à t. de paprika fumé
45 ml / 3 c. à s. beurre

Instructions :

1. **Préchauffez le fumoir, puis réglez la température à 135-177°C/275-350°F.**
2. Enlevez le cou et les abats de la dinde. Rincez soigneusement la dinde et essuyez à l'aide d'un papier absorbant.
3. Dans un petit contenant, mélangez le beurre, ¼ de l'assaisonnement et le paprika afin de former une pâte. Insérez délicatement votre main entre la peau extérieure et la viande. Frottez la pâte sur la viande.
4. Avec l'assaisonnement restant, frottez la surface extérieure de la dinde.
5. Déposez la dinde, la poitrine vers le haut, au centre du fumoir, et fumez jusqu'à ce que la dinde soit tendre et dorée; la température interne devrait atteindre 82°C/180° F dans la partie la plus épaisse de la cuisse et 77°C/170° F dans la poitrine.
6. Enlevez la dinde, couvrez-la avec une feuille d'aluminium et laissez-la reposer pendant 10 minutes avant de la découper.

Comment préparer : SAUCE POUR DINDE

Si vous aimez utiliser la graisse et les jus qui se sont écoulés pour en faire une sauce onctueuse, alors placez la dinde sur une grille à l'intérieur d'un grand plat à rôtir en aluminium. Ajoutez environ 0,6 cm / ¼ po d'eau ou de bouillon et des épices dans le fond de la poêle. Surveillez les jus, vous devrez peut-être en ajouter plus pendant la cuisson.

INFORMACIÓN DE SEGURIDAD

LAS FALLAS DE MANTENIMIENTO Y EL INCUMPLIMIENTO DE LAS DISTANCIAS REQUERIDAS ENTRE EL APARATO Y LOS MATERIALES COMBUSTIBLES SON CAUSAS IMPORTANTES DE INCENDIOS. ES DE LA MAYOR IMPORTANCIA QUE ESTE PRODUCTO SOLAMENTE SE UTILICE DE ACUERDO CON ESTAS INSTRUCCIONES.

Por favor lea y comprenda este manual en su totalidad antes de intentar armar, utilizar o instalar el producto. Esto garantizará que pueda utilizar su nuevo ahumador de pellas de madera de la manera más agradable y sin problemas. También le recomendamos conservar este manual para referencia futura.

PELIGROS Y ADVERTENCIAS

Debe comunicarse con su asociación local de vecinos, funcionarios de construcción o control de incendios, o con la autoridad competente, para obtener los permisos y la información necesarios sobre restricciones de instalación, como la instalación de un ahumador en una superficie combustible, los requisitos de inspección, o incluso la capacidad de usarlo, en su región.

1. Es necesario mantener un espacio libre mínimo de 305 mm (12 pulg.) entre materiales combustibles y los costados del ahumador y de 305 mm (12 pulg.) desde la parte trasera del ahumador a materiales combustibles. **No instale el aparato en pisos combustibles o en pisos protegidos con superficies combustibles, a menos que se obtengan las autorizaciones y los permisos apropiados de las autoridades competentes.** No use este aparato bajo techo, en un área cerrada o sin ventilación, dentro de hogares, vehículos, carpas, garajes. Este aparato de pellas de madera no debe colocarse bajo un techo o saliente de material combustible. Mantenga su ahumador en un área despejada y libre de materiales combustibles, gasolina y otros vapores y líquidos inflamables.

En caso de un fuego de grasa, debe APAGAR el ahumador y dejar la tapa cerrada hasta que se apague el fuego. No desconecte el cable de alimentación eléctrica. No arroje agua sobre el fuego. No trate de sofocar el fuego. Es muy recomendable mantener cerca un extintor de incendios aprobado para todo tipo de fuego (clase ABC). Si ocurre un incendio sin control, llame al Departamento de Bomberos.

2. Mantenga los cables de alimentación eléctrica y la combustible de las superficies calientes. No use su ahumador bajo la lluvia o cerca de cualquier fuente de agua.
3. Después de un período de almacenamiento o falta de uso, revise la rejilla de combustión para detectar obstrucciones, y la tolva para detectar obstrucciones del flujo de aire. Límpiela antes de usarla. **Se requiere un cuidado regular y el mantenimiento para prolongar la vida útil de la unidad.** Si el ahumador se almacena en exteriores durante la temporada de lluvias o en temporadas de alta humedad, debe tener cuidado de que no entre agua en la tolva. Cuando están mojados o expuestos a alta humedad, los gránulos de madera se expandirán en gran medida, se descompondrán y pueden atascar el sistema de alimentación. Siempre debe desconectar la alimentación eléctrica antes de realizar cualquier servicio o mantenimiento.

No transporte su ahumador mientras está en operación o mientras el ahumador está caliente. Asegúrese de que el fuego está completamente apagado y de que el ahumador está completamente frío al tacto antes de moverlo.

4. Se recomienda utilizar guantes resistentes al calor cuando opere el ahumador. No utilice accesorios no especificados para su uso con este aparato. No coloque una cubierta para ahumador u otra cosa inflamable dentro del espacio de almacenamiento debajo del ahumador.
5. Para evitar lesiones o daños al barreno, el aparato cuenta con una cubierta de seguridad en la tolva metálica. Esta cubierta no debe ser retirada a menos que así lo indique Servicio al Cliente o un distribuidor autorizado (servicio al caliente no válido en México).

No se recomienda que usen este aparato los niños, las personas con capacidades físicas, sensoriales o mentales reducidas, o que no tengan suficiente experiencia y conocimientos, a menos que sean supervisados o instruidos por una persona responsable de su seguridad.

6. Algunas partes del ahumador podrían estar muy calientes y pueden causar lesiones graves. Mantenga a los niños pequeños y las mascotas alejados mientras lo utiliza.
7. No agranda los agujeros del encendedor ni las cámaras de combustión. De no cumplir con esta advertencia, podría causar un peligro de incendios y lesiones corporales y anulará su garantía.
8. El producto puede tener bordes o puntos afilados. El contacto puede provocar lesiones. Tratar con cuidado.

ELIMINACIÓN DE LAS CENIZAS

Las cenizas deben ser colocadas en un recipiente metálico con una tapa hermética. El recipiente cerrado de cenizas debe colocarse en un piso no combustible o en el suelo, lejos de todos los materiales combustibles, hasta su eliminación definitiva. Cuando elimine las cenizas enterrándolas en la tierra o dispersándolas, debe conservarlas en un recipiente cerrado hasta que todas las brasas se hayan enfriado por completo.

COMBUSTIBLE DE PELLAS DE MADERA

Este aparato para cocinar con pellas está diseñado y aprobado solamente para usar combustible de madera natural en forma de pellas. Quemar cualquier otro tipo de combustible en este aparato anulará la garantía y el registro de seguridad. Solamente debe utilizar pellas de madera natural, diseñados para quemarse en ahumadores de pellas. No use combustible que contenga aditivos. Los pélets de madera son muy susceptibles a la humedad y deben guardarse siempre en un contenedor hermético. Si va a guardar la parrilla, sin uso, durante un periodo prolongado, recomendamos que saque todos los pélets de la tolva y del alimentador helicoidal, para evitar atascos. El valor calorífico medio del combustible de pélets es de 18,6-20,4 MJ/kg (8000-8770 Btu/lb), cenizas de <1%.

No use roca de lava, trozos de madera, carbón de leña, licores, petróleo, gasolina, líquido de encendedores o queroseno para encender o avivar el fuego en su ahumador.

Al momento de la impresión, no hay un estándar de la industria para pellas de madera para ahumador, aunque la mayoría de los fabricantes de pellas usan los mismos estándares aplicados para la fabricación de pellas de madera para calefacción casera. Puede encontrar más información en www.pelletheat.org o en el *Pellet Fuel Institute* (páginas web únicamente en inglés).

Consulte a su distribuidor local sobre la calidad de los pellas en su región y pídale información la calidad de las distintas marcas. Dado que no existe ningún control sobre la calidad de los pellas utilizados, no asumimos ninguna responsabilidad por los daños causados por combustible de mala calidad.

CREOSOTA

La creosota, u hollín, es una sustancia similar a la brea. Cuando se quema produce un humo negro que deja residuos que también son de color negro. El hollín o creosota se forma cuando el aparato se utiliza de manera incorrecta, como: una colocación incorrecta de la rejilla de combustión, obstrucción del ventilador de combustión, falta de limpieza y mantenimiento del área de combustión, o una mala relación aire-combustible en la combustión.

Es peligroso utilizar este aparato si la llama se vuelve oscura y con hollín, o si la cámara de combustión se desborda de pellas. Al encenderse, esta creosota genera un fuego extremadamente caliente y sin control, similar a un fuego de grasa. Si esto ocurre, APAGUE la unidad, déjela enfriarse por completo, y luego inspecciónela para darle mantenimiento y limpiarla. Por lo general se acumula en las áreas de escape de gases.

Si se ha formado creosota dentro de la unidad, permita que esta se caliente a una temperatura baja, luego APAGUE el aparato y limpie la acumulación con una toalla de mano. Al ser similar a la brea, es mucho más fácil limpiarla cuando está caliente, ya que se vuelve líquida..

MONÓXIDO DE CARBONO ("EL ASESINO SILENCIOSO")

El monóxido de carbono es un gas incoloro, inodoro e insípido que se produce al quemar gas, madera, propano, carbón y otros combustibles. El monóxido de carbono reduce la capacidad de la sangre para transportar oxígeno. Los niveles bajos de oxígeno en la sangre pueden causar dolor de cabeza, mareos, debilidad, náuseas, vómitos, somnolencia, confusión, pérdida de la conciencia y muerte. Siga estas instrucciones para evitar que este gas incoloro e inodoro lo intoxique a usted, a su familia o a otras personas:

- Consulte a un médico si usted u otras personas presentan síntomas de resfriado o gripe mientras cocinan o en los alrededores del aparato. La intoxicación por monóxido de carbono, que puede confundirse fácilmente con gripe o resfriado, con frecuencia se detecta demasiado tarde.
- El consumo de alcohol y drogas aumentan los efectos de la intoxicación por monóxido de carbono.

El monóxido de carbono es especialmente tóxico para madres e hijos durante el embarazo, así como para los bebés, los ancianos, los fumadores y las personas con problemas de la sangre y el sistema circulatorio, como anemia o enfermedades cardíacas.

REGISTRO DE SEGURIDAD

De acuerdo con los procedimientos y especificaciones de la Categoría 2728-2009 de UL, "aparatos de cocina con pellas combustibles" y ULC/ORD C2728-13 "para características eléctricas de equipos de quema de combustible". Los aparatos de cocina con pellas Pit Boss® Grills han sido probados de manera independiente y registrados por Intertek (un laboratorio de pruebas acreditado) de acuerdo con las normas ETL, UL, ULC y CSA.



AVISO DE DERECHOS DE AUTOR

Copyright 2021. Todos los derechos reservados. Ninguna parte de este manual puede ser copiada, transmitida, transcrita o almacenada en un sistema de respaldo, en ninguna forma y por ningún medio, sin el permiso explícito por escrito de,

Dansons

3411 North 5th Avenue, Suite 500, Phoenix, AZ, USA 85013

www.pitboss-grills.com

Servicio al cliente

EE.UU : (480) 923-9630

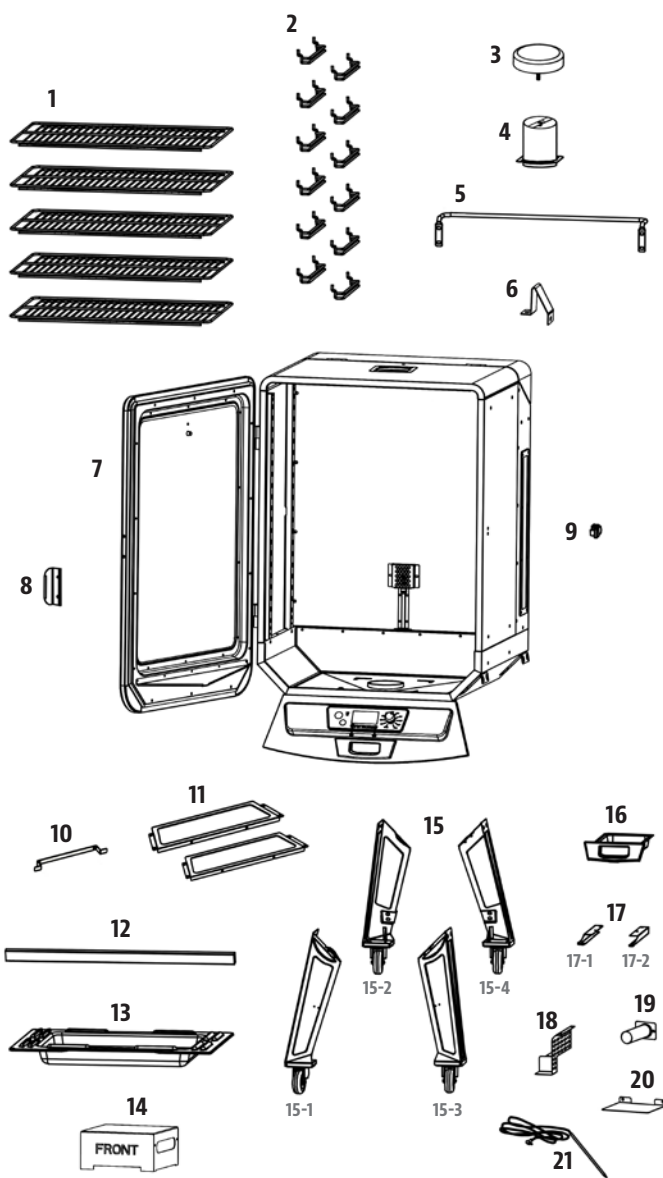
Canada (gratuita) : 1-877-942-2246

ÍNDICE

Información de seguridad	63	Cuidado y mantenimiento	79
Partes y especificaciones	67	Uso del combustible de pellas de madera	81
Preparación del ensamblaje	68	Lineamientos para cocinar	81
Instrucciones de ensamblaje		Consejos y técnicas.....	83
Montaje de las patas de soporte en el gabinete principal ...	68	Solución de problemas	84
Asegurar el tablero de control a las patas de apoyo	68	Diagrama de cableado eléctrico.....	86
Montaje de los paneles de soporte.....	69	Refacciones	
Asegurar la barra de soporte.....	69	Refacciones de ahumador	87
Montaje del tubo de salida de grasa	69	Refacciones eléctrico	88
Colocación del protector térmico	69	Garantía	
Montaje del soporte del cable de alimentación	70	Condiciones.....	88
Asegurar los soportes de las bandejas de grasa	70	Excepciones	89
Colocación de la bandeja de grasa	70	Cómo ordenar refacciones.....	89
Colocación de la perilla de la puerta de limpieza de la tolva.....	71	Contacto con servicio al cliente	89
Montaje de la manija posterior	71	Servicio bajo garantía	89
Asegurar la chimenea.....	71	Los accesorios se venden por separado	90
Instalación del seguro de la tapa	71	Recetas	91
Montaje de la manija y pestillos de la puerta del gabinete ..	72		
instalación de los componentes para cocinar.....	72		
Conexión a una fuente de alimentación eléctrica	73		
Instrucciones de operación			
Entorno del ahumador	74		
Rangos de temperatura del ahumador.....	75		
Explicación del panel de control.....	76		
Uso de los sensores	77		
Procedimiento de preparación de la tolva	77		
Primer uso - "quemado" del ahumador	78		
Procedimiento de arranque automático.....	78		
Procedimiento de arranque manual	79		
Cómo apagar su ahumador.....	79		

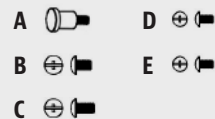
PARTES Y ESPECIFICACIONES

N°	Descripción
1	Rejillas de cocción (x5)
2	Suportes para rejilla de cocción (x12)
3	Tapa de chimenea (x1)
4	Chimenea (x1)
5	Manija trasera (x1)
6	Tope de tapa (x1)
7	Gabinete principal (x1)
8	Manija de puerta del gabinete (x1)
9	Pestillo para puerta del gabinete (x1)
10	Suporte para cable de alimentación (x1)
11	Panel de soporte (x2)
12	Barra de soporte (x1)
13	Bandeja para agua (x1)
14	Difusor de llamas (x1)
15	Pata de soporte con rueda (x4)
16	Bandeja para grasa (x1)
17	Suportes de bandeja para grasa (x2)
18	Carcasa para cables de componentes (x1)
19	Tubo de escape para grasa (x1)
20	Protector de calor (x1)
21	Sonda para carne (x1)
A	Perilla de puerta (x1)
B	Tornillo #20-6,3 mm x 1,27 cm (x12)
C	Tornillo #20-6,3 mm x 1,58 cm (x4)
D	Tornillo #10-24 mm x 1,27 cm (x34)
E	Tornillo #10-24 mm x 0,83 cm (x2)



NOTA: Debido a que los productos están en desarrollo constante, las partes están sujetas a cambios sin previo aviso. Llame a Servicio al Cliente si le faltan partes al ensamblar la unidad.

PB - REQUISITOS DE ALIMENTACIÓN ELÉCTRICA 110-120 V, 60 Hz, 250 W, CONECTOR DE 3 CLAVIJAS CON TIERRA




MODELO	UNIDAD ENSAMBLADA (An. x Al. x Prof.)	PESO DE LA UNIDAD	ÁREA DE COCCIÓN	RANGO DE TEMPERATURAS
PB PBV5P1	734 X 1350 X 709 MM / 28,8 X 53,1 X 27,9 PULG.	58,0 KG /127,0 LB	COCINA CÚBICA: 0,13 M ³ / 4,6 FT ³ TOTAL - 9762 CM ² / 1513 PU ²	65-215°C / 150-420°F

PREPARACIÓN DEL ENSAMBLAJE

Hay partes ubicadas en toda la caja de embarque, incluso debajo del asador. Inspeccione el asador, las partes y el paquete de accesorios antes de sacarlos de la caja de embarque. Deseche todos los materiales de embalaje desde el interior y el exterior de la parrilla antes del ensamblaje, luego revise e compárelas con la lista de referencia. Si hay partes faltantes o dañadas, no intente ensamblar el producto. Los daños por transporte no están cubiertos por la garantía. Comuníquese con su distribuidor o con Servicio al Cliente de Pit Boss® para solicitar partes.

EE.UU : (480) 923-9630 | Canada (GRATUITA) : 1-877-942-2246
www.pitboss-grills.com

IMPORTANTE: Para facilitar la instalación, es útil (pero no necesario) contar con dos personas para ensamblar esta unidad.

Herramientas requeridas para el ensamblaje: destornillador y nivel. *Las herramientas no están incluidas.* 

INSTRUCCIONES DE ENSAMBLAJE

IMPORTANTE: Se recomienda leer cada paso en su totalidad antes de comenzar el ensamblaje. No apriete por completo los tornillos hasta que haya colocado todos los tornillos de ese paso.

1. MONTAJE DE LAS PATAS DE SOPORTE EN EL GABINETE PRINCIPAL

Partes requeridas:

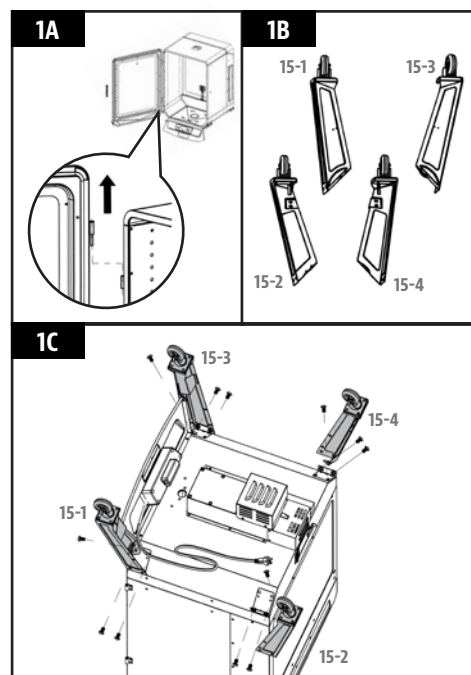
- 1 x Gabinete principal (#7)
- 4 x Patas con eje de rueda (#15)
- 12 x Tornillo #20-6,3 mm x 1,27 cm (#B)

Instalación:

- Coloque un trozo de cartón en el piso para evitar que la unidad y las partes se raspen durante el ensamblaje. Primero, saque la puerta del gabinete de las bisagras y colóquela a un lado. Consulte la ilustración 1A.
- Luego, voltee el gabinete principal, con la parte inferior hacia arriba, sobre el cartón. Prepare las cuatro patas de soporte para la instalación, acomodando las patas etiquetadas como se muestra en la ilustración 1B.

IMPORTANTE: Las cuatro patas de soporte deben acomodarse correctamente para poder instalar en forma adecuada los paneles y barra de soporte en un paso de ensamblaje posterior.

- Monte una de las patas de apoyo en el gabinete principal usando tres tornillos. Repita la instalación para las otras tres patas de soporte. Consulte la ilustración 1C.



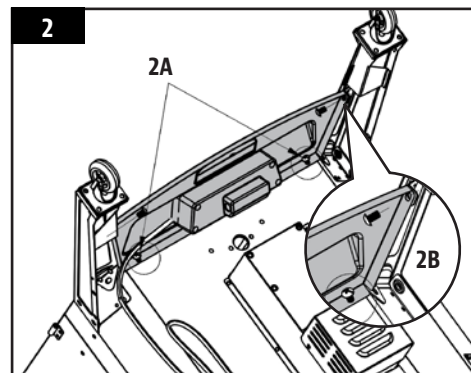
2. ASEGURAR EL TABLERO DE CONTROL A LAS PATAS DE APOYO

Partes requeridas:

- 2 x Tornillo #10-24 mm x 1,27 cm (#D)

Instalación:

- Cerca del panel de control, afloje los dos tornillos ya ensamblados que conectan el panel frontal al gabinete principal. Consulte 2A.
- Luego, usando otros dos tornillos (#D), asegure los lados del panel frontal a las patas de soporte frontales. Una vez que los tornillos estén apretados, vuelva a apretar los dos tornillos que se aflojaron previamente en 2A. Consulte 2B.



3. MONTAJE DE LOS PANELES DE SOPORTE

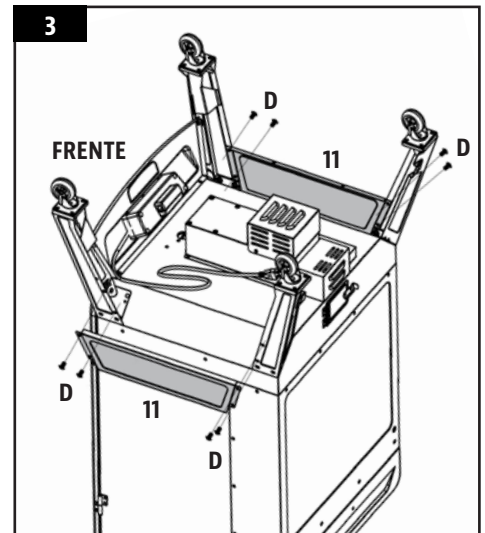
Partes requeridas:

- 2 x Panel de soporte (#11)
- 8 x Tornillo #10-24 mm x 1,27 cm (#D)

Instalación:

- Instale un panel de soporte en la parte lateral de la unidad, entre una pata de soporte frontal y una trasera. Asegure usando dos tornillos en cada lado. Asegúrese de que la superficie plana del panel de soporte esté hacia afuera. Repita la misma instalación para montar el otro panel de soporte. Consulte la ilustración para ver la disposición del panel de soporte.

NOTA: el panel de soporte con dos agujeros en la parte inferior debe estar del mismo lado de la unidad en el que el cable de alimentación sale del panel de control (lado izquierdo). Esto es importante para los pasos posteriores.



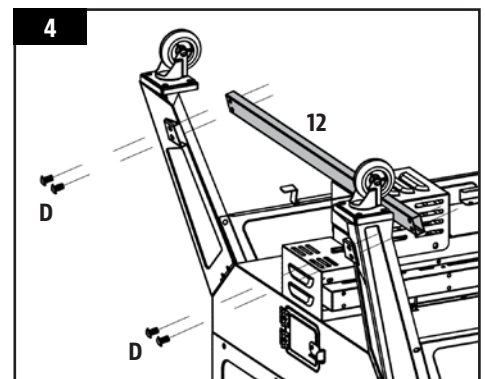
4. ASEGURAR LA BARRA DE SOPORTE

Partes requeridas:

- 1 x Barra de soporte (#12)
- 4 x Tornillo #10-24 mm x 1,27 cm (#D)

Instalación:

- Instale la barra de soporte en la parte posterior de la unidad, entre las dos patas de soporte traseras. Asegure usando dos tornillos en cada lado. Asegúrese de que la barra de soporte esté colocada en la parte inferior del gabinete principal, volteada hacia adentro. Consulte la ilustración para ver la disposición de la barra de soporte.



5. MONTAJE DEL TUBO DE SALIDA DE GRASA

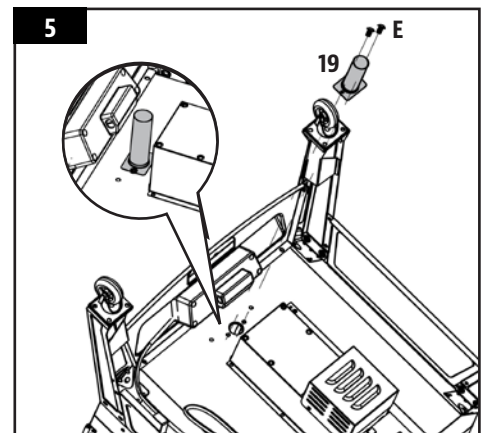
Partes requeridas:

- 1 x Tubo de salida de grasa (#19)
- 2 x Tornillo #10-24 mm x 0,83 cm (#E)

Instalación:

- Monte el tubo de salida de grasa en la parte inferior del gabinete principal usando dos tornillos.

IMPORTANTE: asegúrese de que esté bien sellado con el gabinete principal, dado que saldrá grasa del gabinete principal, pasará por el tubo de escape y saldrá hacia la bandeja de grasa.



6. COLOCACIÓN DEL PROTECTOR TÉRMICO

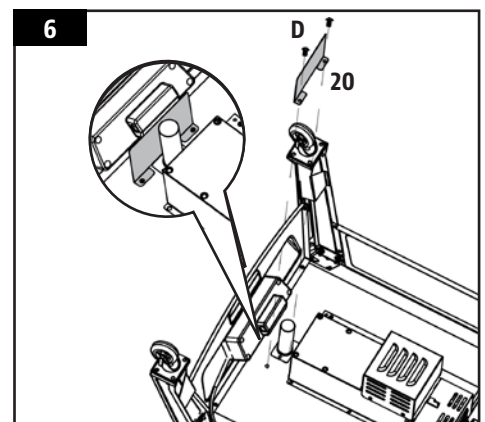
Partes requeridas:

- 1 x Protector térmico (#20)
- 2 x Tornillo #10-24 mm x 1,27 cm (#D)

Instalación:

- Posicione el protector térmico entre el panel de control y el tubo de salida de grasa. Asegure usando un tornillo en cada lado.

IMPORTANTE: si esta parte no se instala correctamente, el calor o la salpicadura del tubo de salida de grasa pueden causar daños en el panel de control. La garantía no cubre daños a la parte trasera del panel de control provocados por la grasa.



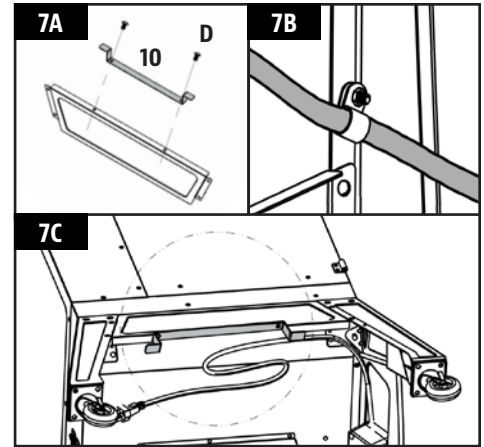
7. MONTAJE DEL SOPORTE DEL CABLE DE ALIMENTACIÓN

Partes requeridas:

- 1 x Soporte del cable de alimentación (#10)
- 2 x Tornillo #10-24 mm x 1,27 cm (#D)

Instalación:

- Ubique los dos agujeros en la parte inferior del panel de control (lado izquierdo). Monte el soporte del cable de alimentación en el panel de soporte usando dos tornillos, como se muestra en 7A.
- Luego, afloje la tuerca en el soporte de broche que viene montado y pase el cable de alimentación a través del soporte de broche. Una vez que lo haya pasado, apriete la tuerca y enrolle el cable de alimentación alrededor del soporte hasta que use la unidad. Consulte 7B, 7C.



8. ASEGURAR LOS SOPORTES DE LAS BANDEJAS DE GRASA

Partes requeridas:

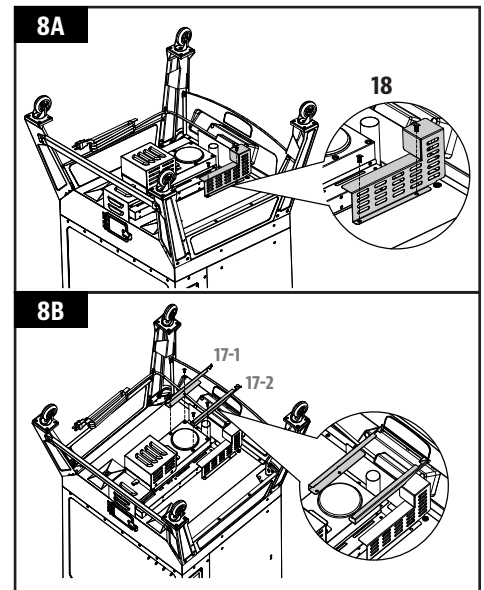
- 1 x Carcasa de los cables (#18)
- 2 x Soportes de bandeja de grasa (#17)
- 6 x Tornillo #10-24 mm x 1,27 cm (#D)

Instalación:

- Primero, monte la carcasa de los cables en la base de la carcasa del barreno usando dos tornillos en cada soporte. Consulte 8A.
- Asegure los soportes de las bandejas de grasa en la base de la carcasa del barreno y la carcasa de los cables usando dos tornillos en cada soporte. Consulte la ilustración 8B para ver la colocación correcta.

NOTA: el extremo desviado de los soportes debe quedar enfrente del panel de control.

- Apriete bien todos los tornillos en la base del carrito. Luego, voltee con cuidado la unidad y colóquela en posición vertical, con las ruedas en la parte inferior. Asegúrese de que esté nivelada.



9. COLOCACIÓN DE LA BANDEJA DE GRASA

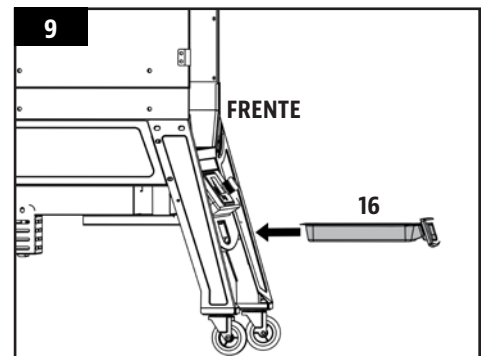
Partes requeridas:

- 1 x Bandeja de grasa (#16)

Instalación:

- Deslice la bandeja de grasa en los soportes para la bandeja que están en la cara inferior por la parte frontal del gabinete principal, debajo del panel de control.

NOTA: la bandeja de grasa estará completamente insertada cuando la parte delantera de la bandeja se empuja lo más posible, sin brecha entre la bandeja de grasa y el panel frontal.



10. COLOCACIÓN DE LA PERILLA DE LA PUERTA DE LIMPIEZA DE LA TOLVA

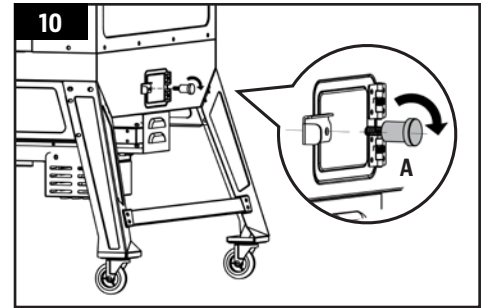
Partes requeridas:

1 x Perilla (#A)

Instalación:

- Coloque la perilla en la puerta de limpieza de la tolva rotando la parte en el agujero sobre la puerta. Rote hasta que esté completamente fija y el pestillo de la puerta de limpieza esté asegurado.

NOTA: para usar la función de limpieza de la tolva, simplemente afloje la perilla, levante el pestillo de la puerta de limpieza y ábrala.



11. MONTAJE DE LA MANIJA POSTERIOR

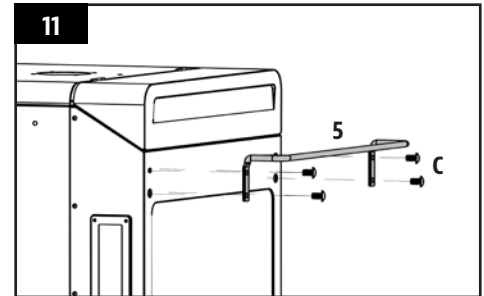
Partes requeridas:

1 x Manija posterior (#5)

4 x Tornillo #20-6,3 mm x 1,58 cm (#C)

Instalación:

- Monte la manija posterior en la parte trasera de la tolva usando cuatro tornillos. Observe la posición correcta en la ilustración con la manija en la parte superior.



12. ASEGURAR LA CHIMENEA

Partes requeridas:

1 x Tapa de la chimenea (#3)

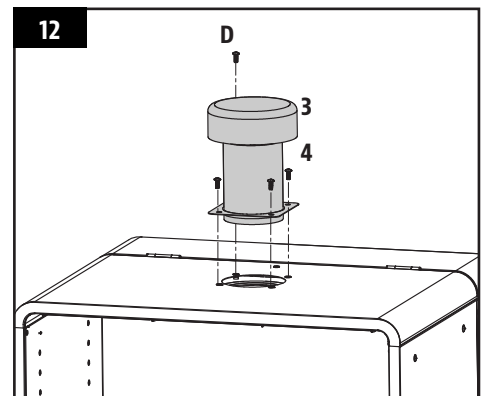
1 x Cañón de la chimenea (#4)

4 x Tornillo #10-24 mm x 1,27 cm (#D)

Instalación:

- Encuentre la abertura de la chimenea en la parte superior del gabinete principal. Desde afuera, asegure el cañón de la chimenea a la parte superior del gabinete principal usando cuatro tornillos. El tornillo se sujetará a las tuercas empotradas en el interior del gabinete. Después, gire la tapa de la chimenea a la parte superior del cañón de la chimenea.

NOTA: ajuste la tapa de la chimenea para modificar el flujo de aire dentro del gabinete principal. Si cocina a baja temperatura, mantenga la tapa más abierta.



13. INSTALACIÓN DEL SEGURO DE LA TAPA

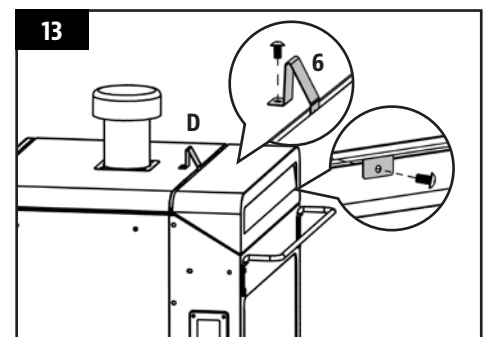
Partes requeridas:

1 x Seguro de la tapa (#6)

2 x Tornillo #10-24 mm x 1,27 cm (#D)

Instalación:

- Instale el seguro de la tapa a la parte superior del gabinete principal cerca de la tapa de la tolva. Use un tornillo para asegurar la parte superior, luego abra la tapa y asegure un tornillo en el borde interior entre las bisagras de la tapa de la tolva.



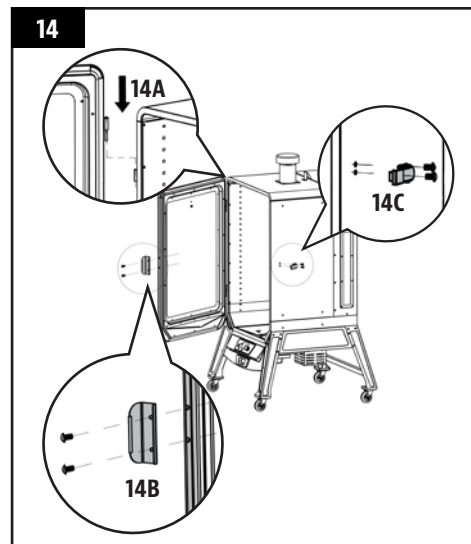
14. MONTAJE DE LA MANIJA Y PESTILLOS DE LA PUERTA DEL GABINETE

Partes requeridas:

- 1 x Manija de la puerta del gabinete (#8)
- 1 x Pestillos de la puerta del gabinete (#9)
- 4 x Tornillo #10-24 mm x 1,27 cm (#D)

Instalación:

- Primero, vuelva a instalar la puerta en el gabinete principal alineando y asegurando ambas bisagras. Asegúrese de que la puerta del gabinete esté montada correctamente probando que se abra y oscile con libertad. Consulte 14A.
- Monte la manija de la puerta del gabinete en el centro de la parte frontal de dicha puerta usando dos tornillos. Consulte la dirección correcta en la ilustración 14B.
- Monte los dos pestillos de la puerta del gabinete en la parte externa del gabinete principal usando dos tornillos para cada uno. Consulte 14C.



15. INSTALACIÓN DE LOS COMPONENTES PARA COCINAR

Partes requeridas:

- 12 x Soportes de parrilla de cocción (#2)
- 5 x Parrillas de cocción (#1)
- 1 x Bandeja de agua (#13)
- 1 x Supresor de llama (#14)

Instalación:

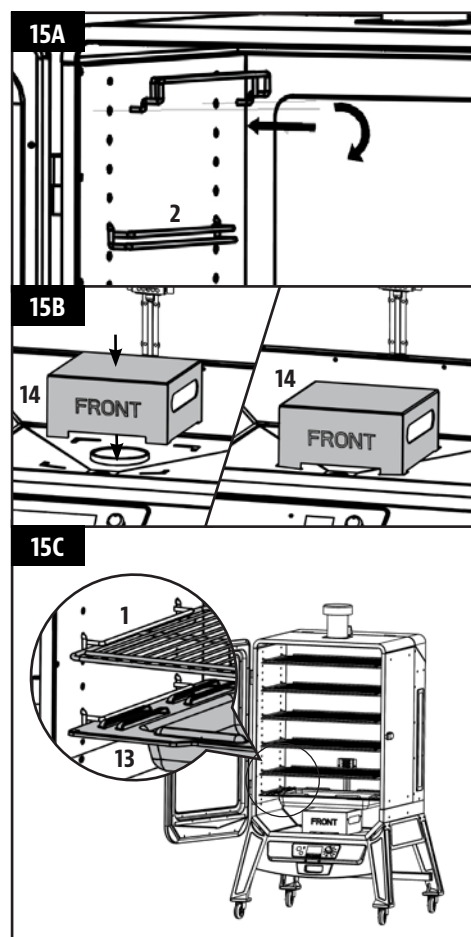
- Inserte siete soportes de parrilla de cocción en los agujeros a lo largo de la pared izquierda interna del gabinete principal. Una vez que estén posicionados en los agujeros, inclínelos hacia abajo para fijarlos. Repita el mismo proceso, usando las mismas alturas, para la pared del lado derecho. Consulte la ilustración 15A.
- Coloque el supresor de llamas sobre la cámara de combustión en la parte inferior interna del gabinete principal. Para asegurarse de que esté bien posicionado, alinee el supresor de llamas en las ranuras a lo largo de la parte inferior del panel base. Consulte la ilustración 15B.

IMPORTANTE: las ventanas de ventilación en los lados de la caja del supresor de llamas no deben estar hacia el frente, en dirección de la puerta del gabinete. Esto puede causar daños al panel de control si las llamas son demasiado grandes.

- Luego, inserte la bandeja de agua en los soportes de parrilla en la parte más baja del interior del gabinete. Llene $\frac{3}{4}$ de la bandeja con agua.

IMPORTANTE: mientras cocina, mantenga la bandeja con agua en todo momento. Atrapará la grasa y el goteo de sus comidas y permitirá una limpieza más sencilla. Si va a ahumar por un periodo largo, mueva la bandeja de agua hacia arriba para permitir que el agua dure más.

- Por último, coloque las parrillas de cocción, una por una, en los soportes de parrilla dentro del gabinete principal. Consulte la ilustración 15C. La unidad ya está completamente ensamblada.



16. CONEXIÓN A UNA FUENTE DE ALIMENTACIÓN ELÉCTRICA

NOTA: antes de conectar su unidad a un tomacorriente, asegúrese de que el control de temperatura se encuentra en la posición SMOKE (AHUMAR). Desconecte cuando no esté en uso.

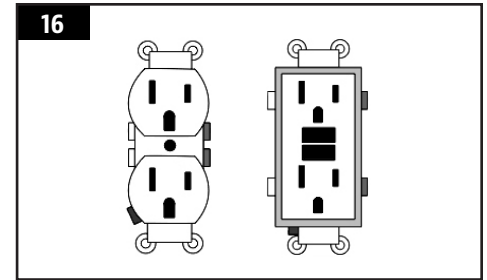
- *TOMACORRIENTE ESTÁNDAR*

Este aparato requiere servicio de 110-120 V, 60 Hz, 250 W. Debe usar un enchufe de 3 clavijas con conexión a tierra. Asegúrese de que la clavija de tierra no esté rota. El control utiliza un fusible rápido de 110-120 V ~ 5 A para proteger el panel del encendedor.

- *TOMACORRIENTE CON INTERRUPTOR DE CIRCUITO DE FALLA A TIERRA (GFCI)*

Este aparato funciona con la mayoría de los tomacorrientes con interruptor de circuito de falla a tierra (Ground-Fault Circuit Interrupter, GFCI), con una capacidad recomendada de 15 A. Si su tomacorriente GFCI es muy sensible a los picos de voltaje, muy probablemente se disparará durante la fase de operación de arranque. Durante la fase de arranque, el encendedor consume de 200 W a 700 W de electricidad, que puede ser demasiado para un tomacorriente GFCI. La calidad del GFCI no importa, sino su sensibilidad; cada vez que se dispara, su sensibilidad aumenta. Si el GFCI se dispara constantemente, reemplace el tomacorriente o cámbielo por uno que no sea GFCI.

IMPORTANTE: Desconecte la unidad de la alimentación eléctrica cuando no la use.



INSTRUCCIONES DE OPERACIÓN

Con el estilo de vida moderno en el que nos esforzamos para comer alimentos saludables y nutritivos, un factor a considerar es la importancia de reducir la ingesta de grasas. Una de las mejores maneras de reducir la grasa de su dieta es utilizar un método de cocción bajo en grasas, como el asado. Dado que un ahumador de pellas usa pellas de madera natural, el sabor de la madera se integra a las carnes, lo que reduce la necesidad de usar salsas con alto contenido de azúcares.

ENTORNO DEL AHUMADOR

1. EN DÓNDE COLOCAR EL AHUMADOR

Con todos los aparatos para exteriores, las condiciones climatológicas externas tendrán un papel importante en el desempeño de su ahumador y en los tiempos de cocción necesarios para perfeccionar sus comidas. La unidad Pit Boss® Grills, debido a su construcción de pared doble, debe considerarse como un ahumador para 3 estaciones, dependiendo del lugar en donde viva. Todas las unidades Pit Boss® Grills requieren un espacio libre mínimo de 305mm (12 pulg.) de separación de materiales combustibles, y este espacio debe mantenerse todo el tiempo que se use el ahumador. Este aparato no debe colocarse bajo un techo o saliente de material combustible. Mantenga su ahumador en un área libre de materiales combustibles, gasolina y otros vapores y líquidos inflamables.

2. COCINA EN CLIMAS FRÍOS

¡Conforme la temperatura exterior se vuelva más fría, no significa que la temporada para cocinar al aire libre se ha terminado! El aire fresco y delicioso aroma de la comida ahumada ayudará a curar la depresión invernal. Aproveche estas sugerencias para disfrutar de su ahumador durante los meses fríos:

- Si no es posible ahumar a bajas temperaturas, aumente ligeramente la temperatura para lograr el mismo resultado.
- Organícese – Prepare todo lo que necesitará en la cocina antes de salir al exterior. Durante el invierno, mueva su ahumador a un área que esté a cubierto del viento y el frío directo. Revise las ordenanzas locales sobre la proximidad del ahumador a su hogar y/o a otras estructuras. ¡Ponga todo lo que necesita en una bandeja, abriguese bien y hágalo!
- Para ayudarlo a tener el control de la temperatura exterior, coloque un termómetro para exteriores cerca del área en la que cocina. Lleve una bitácora o diario de lo que cocinó, la temperatura exterior y el tiempo de cocido. Esto le ayudará en el futuro para determinar qué cocinar y cuánto se tardará.
- En clima muy frío, aumente su tiempo de precalentado al menos 20 minutos.
- Evite abrir la puerta del gabinete del ahumador más de lo necesario. Las rachas de viento frío podrían enfriar completamente la temperatura interna de su ahumador. Sea flexible con su tiempo para servir; añada de 10 a 15 minutos adicionales al tiempo de cocción cada vez que abra la puerta.
- Tenga un hornillo o una cubierta listos para mantener su comida caliente mientras la lleva al interior.
- Los alimentos ideales para cocinar en invierno son los que requieren poca atención, como asados, pollos enteros, costillas y pavos. Facilite aún más la preparación de sus comidas añadiendo elementos simples, como verduras y papas.

3. COCINA EN CLIMAS CALIENTES

Conforme esté más caliente en el exterior, el tiempo de cocción se reducirá. La vestimenta correcta es importante cuando hace mucho calor: es recomendable usar pantalones cortos, franela, zapatos, gorra, delantal y una porción generosa de bloqueador solar. Aproveche estas sugerencias para disfrutar de su ahumador durante los meses cálidos:

- Ajuste sus temperaturas de cocción a la baja. Esto ayuda a evitar las llamadas indeseables.
- Use un termómetro de carnes para determinar la temperatura interna de sus comidas. Esto ayuda a evitar que su carne se cocine demasiado y se seque.
- Incluso en climas calientes, mantenga la puerta del gabinete cerrada en todo momento.
- Puede mantener las comidas calientes envolviéndolas en papel aluminio y colocándolas en un recipiente con aislamiento térmico. Coloque bolas de papel periódico alrededor del papel aluminio y esto mantendrá la comida caliente de 3 a 4 horas.

RANGOS DE TEMPERATURA DEL AHUMADOR

Las lecturas de temperatura en el panel de control podrían no coincidir exactamente con las del termómetro. Todas las temperaturas mencionadas abajo son aproximadas y se ven afectadas por los siguientes factores: temperatura ambiente en el exterior, cantidad y dirección del viento, calidad de los pellas que se utilizan, si la puerta del gabinete está abierta y la cantidad de comida que se está preparando.

- *ALTAS TEMPERATURAS (190°C-215°C / 375-420°F)*

Este rango se usa para asar a alta temperatura, sin contacto con la llama. Las temperaturas altas también se usan como la temperatura de quemado para limpiar las parrillas de cocción después de usarlas. Asimismo, se pueden usar las altas temperaturas en condiciones climáticas extremadamente frías para compensar el contraste entre las temperaturas de afuera y dentro de la unidad.

- *TEMPERATURAS MEDIAS (135°C-177°C / 275-350°F)*

Este rango es mejor para hornear, cocer y terminar esa creación ahumada lentamente. Cocinar a estas temperaturas reducirá en gran medida las probabilidades de una llamarada de grasa. Este es un rango excelente para cocinar cualquier cosa que esté envuelta en tocino, o cuando quiera versatilidad en el control.

- *BAJAS TEMPERATURAS (65°C-122°C / 150-250°F)*

Este rango se usa para asar lento, aumentar el sabor del ahumando y mantener caliente la comida. Infunde más sabor ahumado y mantenga la carne jugosa al cocinarla más tiempo a una temperatura más baja (esto también se conoce como "**bajo y lento**"). Muy recomendable para el gran pavo de Acción de Gracias, un jugoso jamón para la Pascua, o un enorme banquete para las fiestas.

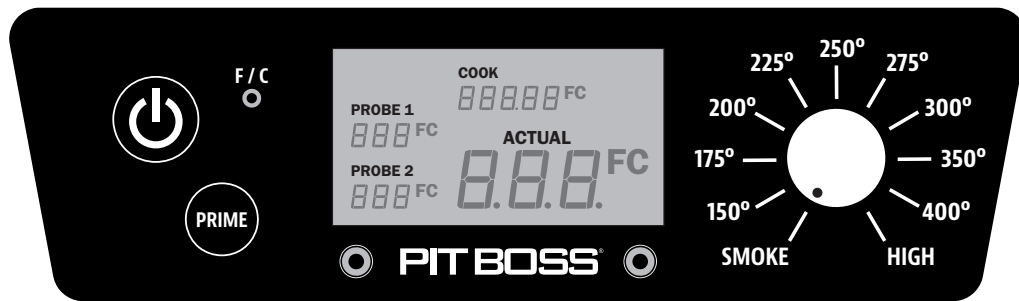
El ahumado es una variación del asado, y es la principal ventaja de cocinar en un ahumador. Hay dos tipos de ahumado: ahumado caliente y ahumado frío.







- El **ahumado caliente**, que es otro nombre para cocinar "**bajo y lento**", generalmente se hace a 65°C-122°C / 150-250 °F. El **ahumado caliente** funciona mejor cuando se necesita un tiempo de cocción más largo, como para cortes de carne, pescados o aves grandes.
- El **ahumado frío** es cuando la comida se encuentra tan lejos del fuego que se ahúma sin cocinarse, y a temperaturas de 15°C-32°C / 60-90 °F.

CONSEJO: para un sabor más intenso, cambie al rango de temperatura de ahumado (bajo) inmediatamente después de poner su comida en el ahumador. Esto permite que el humo penetre en las carnes antes de que los poros se cierren alrededor de los 49°C / 120 °F.

La clave está en experimentar con el tiempo que deja ahumar antes de que la comida termine de prepararse. Algunos chefs de exteriores prefieren ahumar al terminar de cocinar, lo que permite mantener la comida caliente hasta que esté lista para servirse. ¡La práctica hace la perfección!

EXPLICACIÓN DEL PANEL DE CONTROL



CONTROL	DESCRIPCIÓN
	Oprima el botón Power (Encendido) para encender la unidad. Una vez que se conecte a una fuente de alimentación electrónica y se presione el Botón Power (Encendido), se encenderá la pantalla digital LCD, mostrando que la unidad está lista para operar. Oprima y sostenga el botón para apagar la unidad.
	El marcador de control de temperatura le permite establecer su temperatura de ahumado deseada. Seleccione entre cualquiera de las diez temperaturas preestablecidas del marcador de control, entre 65°C-215°C / 150-420 °F. Cuando el dial se gira a una temperatura preestablecida, la pantalla LCD digital se ilumina, lo que indica que está lista para funcionar.
	El botón de cambio de temperatura se usa para cambiar la lectura de la temperatura que aparece en la pantalla LCD. Presione el botón para cambiar a Celsius (°C) o Fahrenheit (°F), como usted prefiera. La configuración predeterminada es Fahrenheit.
	La pantalla digital LCD se usa como el centro de información de su unidad. La pantalla LCD mostrará su temperatura de cocción deseada, la temperatura de cocción real y la temperatura del sensor para carne (si está conectado). Si solo hay un sensor para carne conectado, solo se mostrará una lectura. La temperatura puede visualizarse en grados Fahrenheit o Celsius.
	Mantenga oprimido el botón de Prime (Preparación) para activar una alimentación adicional de pellas a la cámara de combustión. Esto se puede usar para añadir más combustible al fuego justo antes de abrir la puerta del gabinete del ahumador, logrando así un tiempo de recuperación de calor más rápido. También se puede usar para agregar más combustible al ahumar, para aumentar la intensidad del sabor limpio ahumado. Solicitado por cocineros competitivos.
SMOKE	La configuración Smoke (ahumar) en el marcador de control de temperatura opera la unidad a la temperatura más baja, sin que el fuego se apague.
	Los puertos de conexión en el frente del panel de control son para uno o varios sensores para carne . Cuando un sensor para carne está conectado, la temperatura se muestra en la pantalla LCD. Cuando no se use, desconecte el sensor para carne del puerto de conexión. <i>Solo es compatible con sensores para carne de marca Pit Boss® Grills.</i>



USO DE LOS SENSORES

• *SONDA DE PARILLA*

Ubicada dentro del gabinete, en la pared trasera a lo largo de la parte inferior está la sonda de temperatura. Es una pequeña pieza vertical de acero inoxidable. La sonda de temperatura mide la temperatura interna de la unidad. Esta temperatura interna se muestra en la pantalla LCD digital como temperatura "REAL".

IMPORTANTE: la temperatura de su unidad depende en gran medida de la temperatura ambiente exterior, la calidad de los pellas usados, el sabor de los pellas y la cantidad de comida que se cocina.

• *SENSOR PARA CARNE*

El sensor para carne mide la temperatura interna de su carne en el gabinete del ahumador, de manera similar a su horno de uso interior. Conecte el adaptador de sensor para carne al puerto de conexión del sensor para carne e inserte el sensor para carne de acero inoxidable en la parte más gruesa de su carne y la temperatura se mostrará en el panel de control. **Para asegurarse de que el sensor esté bien conectado al puerto de conexión, debe sentir y escuchar cómo entra en su sitio.**

IMPORTANTE: al colocar el sensor de carne en su carne, asegúrese de que el sensor y los cables no entren en contacto directo con las flamas o el calor excesivo. Esto puede dañar su sensor para carne. Saque el cable sobrante por la puerta frontal del gabinete principal, a lo largo del borde. Cuando no se use, desconecte el sensor para carne del puerto de conexión y colóquelo a un lado para mantenerlo protegido y limpio.

PROCEDIMIENTO DE PREPARACIÓN DE LA TOLVA

Debe seguir estas instrucciones la primera vez que encienda el ahumador y cada vez que el ahumador se quede sin pellas en la tolva. El barreno debe prepararse para permitir que los pellas de madera se desplacen por todo el barreno y llenen la cámara de combustión. Si no se prepara, el encendedor se agotará antes de que los pellas se enciendan. Siga estos pasos para la preparación:

1. Abra la tapa de la tolva. Asegúrese de que no hay objetos extraños en la tolva ni bloqueando el sistema de alimentación por barreno en la parte inferior.
2. Quite todos los accesorios para cocinar del interior del ahumador. Ubique la cámara de combustión en la parte inferior del gabinete del ahumador.
3. Conecte el cable de alimentación a un tomacorriente. Oprima el **botón Power** (Encendido) para encender la unidad y asegúrese de que el marcador de **control de temperatura** esté en la posición SMOKE (Ahumar). Revise los siguientes puntos:
 - Que pueda escuchar el barreno volteándose. Coloque su mano sobre la cámara de combustión y sienta si hay movimiento de aire. No coloque su mano ni sus dedos dentro de la cámara de combustión. De hacerlo podría sufrir lesiones.
 - Después de aproximadamente un minuto debe oler los vapores del encendedor y comenzar a sentir que el aire se calienta dentro de la cámara de combustión. La punta del encendedor no se pone roja. No toque el encendedor. Esta parte se pone extremadamente caliente y puede quemar.
4. Una vez que haya verificado que todos los componentes eléctricos funcionan correctamente, oprima y sostenga el **botón Power** (Encendido) para apagar la unidad.
5. Llene la tolva con pellas de madera natural para ahumador. Verifique el nivel de pellas usando la mirilla en la parte lateral.
6. Oprima el **botón Power** (Encendido) para encender la unidad. Con el marcador de **control de temperatura** en la posición SMOKE (Ahumar), oprima y sostenga el **botón de Prime** (Preparación) hasta que vea que los pellas entren en la cámara de combustión. Una vez que los pellas empiecen a caer en la cámara de combustión, suelte el **botón de Prime** (Preparación). Permita que los pellas se enciendan y formen una flama. Una vez que salgan llamas de la cámara de combustión, presione y mantenga el **botón Power** (Encendido) para apagar el panel de control y permita que el ahumador se enfríe.
7. Después de que el ahumador se enfríe, vuelva a colocar los accesorios para cocinar en el gabinete principal. ¡El ahumador ya está listo para usar!

PRIMER USO - "QUEMADO" DEL AHUMADOR

Una vez que la tolva esté preparada y antes de usar su ahumador por primera vez con alimentos, es importante hacer un "quemado" del ahumador. Encienda el ahumador con la puerta del gabinete abierta hasta que el humo comience a llenar el interior del gabinete. Luego, cierre la puerta del gabinete y deje que la unidad alcance una temperatura superior a 176 ° C / 350 ° F (con la puerta del gabinete cerrada) durante 30 a 40 minutos quemará la unidad y eliminará todas las sustancias extrañas.

PROCEDIMIENTO DE ARRANQUE AUTOMÁTICO

1. Asegúrese de que el marcador de **control de temperatura** esté en la posición SMOKE (Ahumar). Conecte el cable de alimentación a un tomacorriente con conexión a tierra.
2. Revise la cámara de combustión y asegúrese de que no hay ninguna obstrucción para un encendido correcto. Abra la tapa de la tolva. Asegúrese de que no hay objetos extraños en la tolva ni en la entrada del sistema de alimentación por barreno en la parte inferior del gabinete. Llene o recargue la tolva con pellas secas de madera dura natural para ahumador. Llene la bandeja de agua hasta la tercera parte y supervísela durante la cocción; vuelva a llenar con frecuencia.
3. Oprima el **botón Power** (Encendido) para encender la unidad. Esto activará el ciclo de arranque. El sistema de alimentación por barreno comenzará a girar, el encendedor empezará a brillar y el ventilador suministrará aire a la cámara de combustión. El ahumador comenzará a producir humo mientras se realiza el ciclo de encendido. Debe dejar la puerta del gabinete abierta durante el ciclo de arranque. Para confirmar que el ciclo de arranque inició correctamente, escuche el rugido del fuego y confirme que se está produciendo calor.
4. Cierre la puerta del gabinete. Gire el marcador de **control de temperatura** a 177°C / 350°F para permitir que la unidad se precaliente de 15 minutos a 20 minutos aproximadamente.
5. ¡Después de completar el precalentamiento, ya está listo para disfrutar de su ahumador a la temperatura deseada!

IMPORTANTE: Cuando seleccione SMOKE (Ahumar) o una configuración de baja temperatura después del precalentamiento, el barreno continuará girando y alimentando pellas. Esto elevará momentáneamente la temperatura, pero esta disminuirá con el tiempo y se estabilizará. Recuerde que está intentando controlar un fuego, así que hace falta tiempo para lograr su temperatura deseada.

PROCEDIMIENTO PARA FALLAS DEL ENCENDEDOR

Si por alguna razón su encendedor eléctrico falla, verifique los siguientes pasos, o puede encender su ahumador con el método manual.

1. Asegúrese de que el marcador de **control de temperatura** esté en la posición SMOKE (Ahumar) y la unidad se apaga.. Abra la puerta del gabinete. Saque todos los accesorios para cocinar del interior. Saque todos los pellas sin quemar y las cenizas de la cámara de combustión. No toque el encendedor para evitar quemarse, ya que podría estar extremadamente caliente.
2. Una vez que haya sacado y limpiado todos los accesorios para cocinar, oprima el **botón Power** (Encendido) para encender la unidad. Verifique lo siguiente:
 - Confirme visualmente que el encendedor está funcionando, colocando su mano sobre la cámara de combustión para percibir que haya calor.
 - Confirme visualmente que el encendedor sobresale alrededor de 13 mm / 0,5 pulg. en la cámara de combustión.
 - Confirme visualmente que el barreno está depositando los pellas en la cámara de combustión.
 - Confirme que el ventilador de combustión está funcionando, escuchando el rugido del fuego.
3. Si alguno de los puntos anteriores no funciona, siga las instrucciones de **Solución de problemas**.

PROCEDIMIENTO DE ARRANQUE MANUAL

1. Asegúrese de que el marcador de **control de temperatura** esté en la posición **SMOKE** (Ahumar). Conecte el cable de alimentación a un tomacorriente con conexión a tierra.
2. Revise la cámara de combustión y asegúrese de que no hay ninguna obstrucción para un encendido correcto. Abra la tapa de la tolva. Asegúrese de que no hay objetos extraños en la tolva ni en el sistema de alimentación por barreno. Llene la tolva con pellas secas de madera dura natural para ahumador.
3. Abra la puerta del gabinete. Quite todos los accesorios para cocinar para exponer la cámara de combustión. Coloque una cantidad generosa de pellas en la cámara de combustión. Rocíe iniciador en gel u otro iniciador apropiado para pellas sobre la parte superior de los pellas. También puede usar una pequeña cantidad de iniciador sólido, como los hechos de aserrín y cera, o virutas de madera. Añada otra pequeña cantidad de pellas a la cámara de combustión.

NOTA: no use licores, petróleo, gasolina, líquido de encendedores o queroseno para encender o avivar el fuego en su ahumador.

4. Encienda el contenido de la cámara de combustión con un fósforo largo o un encendedor alargado. Permita que el iniciador arda de 3 minutos a 5 minutos. No intente añadir más iniciador a la cámara de combustión. De hacerlo podría sufrir lesiones.
5. Vuelva a colocar, rápida y cuidadosamente, los accesorios para cocinar en el interior gabinete del ahumador. Debe dejar la puerta del gabinete abierta durante el ciclo de arranque.
6. Continúe el arranque siguiendo los pasos tres a cinco del **procedimiento de arranque automático**.

CÓMO APAGAR SU AHUMADOR

1. Cuando termine de cocinar, con la puerta del gabinete todavía cerrada, oprima y sostenga el botón Power (Encendido) durante tres segundos para apagar la unidad. El ahumador comenzará el procedimiento automático de enfriamiento. El sistema de barreno dejará de suministrar combustible, la llama se extinguirá y el ventilador seguirá operando hasta que termine el ciclo de enfriamiento.

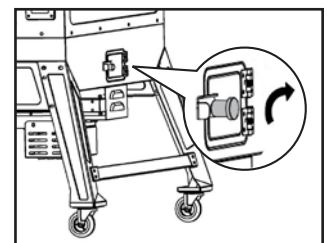
CUIDADO Y MANTENIMIENTO

Todas las unidades Pit Boss® Grills le darán muchos años de delicioso servicio con un mínimo de limpieza. Un paso importante es permitir que el gabinete de ahumar y las parrillas de cocción se autolimpien operando el ahumador en temperatura alta por 5 minutos a 10 minutos después de cada uso. Siga estas indicaciones de mantenimiento y limpieza para dar servicio a su ahumador:

1. CONJUNTO DE TOLVA

- La tolva incluye una función de limpieza para facilitar su limpieza y el cambio de sabores de combustible de pellas. Para vaciarla, encuentre la puerta de limpieza del conducto de caída en la parte trasera de la tolva. Coloque un cubo limpio y vacío debajo de la puerta de limpieza, luego afloje lentamente la perilla de la puerta, levante el pestillo de la puerta y deje que los pellas salgan.

NOTA: use un cepillo de mango largo o una aspiradora para sacar el exceso de pellas, el aserrín y los desechos para una limpieza completa.



- Revise y limpie todos los desechos del respiradero de entrada de aire del ventilador, que está en la parte inferior trasera del gabinete para ahumar. Para una limpieza exhaustiva, Limpie cuidadosamente toda la grasa acumulada en las aspas del ventilador (consulte el **Diagrama del cableado eléctrico** para acceder a los componentes eléctricos). Esto garantiza un flujo de aire apropiado para el sistema de alimentación.

2. *SENSORES*

- Los enredos o pliegues en los cables de los sensores pueden causar daños. Los sensores de carne que no estén en uso deben enrollarse en una bobina grande y holgada
- Aunque ambos sensores son de acero inoxidable, no los coloque en la máquina lavavajillas ni los sumerja en agua. El daño debido al agua en los cables internos causará cortocircuitos en los sensores, generando lecturas falsas. Si un sensor se daña, será necesario reemplazarlo.

3. *SUPERFICIES INTERIORES*

- Es recomendable limpiar su cámara de combustión después de varios usos. Esto garantizará un encendido adecuado y evitará la acumulación de desechos o ceniza endurecidos en la cámara de combustión.
- Usando un cepillo para limpieza de ahumadores con mango largo (de latón o metal suave), elimine toda la comida y acumulación de residuos de las parrillas de cocción. Es mejor hacerlo mientras siguen calientes por una cocción anterior. **Los fuegos de grasa son causados por la caída de demasiados desechos en los componentes de cocción del ahumador.** Limpie el interior de su ahumador con regularidad. En caso de que experimente un fuego de grasa, mantenga cerrada la puerta del gabinete para ahumar para sofocar el fuego. Si el fuego no se apaga con rapidez, quite cuidadosamente la comida, apague el ahumador y cierre la puerta del gabinete hasta que el fuego se apague por completo. Otra forma de extinguir un incendio es envolver papel de aluminio alrededor de la chimenea, cerrando la entrada de aire hacia el interior. Espolvoree una pequeña cantidad de bicarbonato de sodio, si tiene disponible. Revise su bandeja de grasa con frecuencia, y límpiela cuando sea necesario. Tome en cuenta el tipo de cocina que realiza. Asegúrese de que el tubo de salida de grasa esté libre de obstrucciones.

IMPORTANTE: la bandeja de agua puede acumular grasa. Cubra la bandeja de agua con papel de aluminio para facilitar la limpieza después de la cocción. Rellene y reemplace el agua en la bandeja de agua a menudo.

- El vidrio de la puerta del gabinete está templado y no se romperá a altas temperaturas; sin embargo, una acumulación excesiva puede hacer que la puerta no cierre si no se limpia regularmente. El humo y la suciedad pueden eliminarse mediante la limpieza frecuente del vidrio.

4. *SUPERFICIES EXTERIORES*

- Limpie su ahumador después de cada uso. Use agua jabonosa tibia para cortar la grasa. No utilice limpiador para hornos, limpiadores abrasivos ni fibras abrasivas en las superficies externas del ahumador. **Las superficies pintadas no están cubiertas por la garantía, sino que son parte del mantenimiento general.** En caso de raspones, desgaste o grietas del acabado, puede retocar todas las superficies pintadas con pintura BBQ de alta temperatura.
- ¡Use una cubierta para darle una mayor protección a su ahumador! Una cubierta es la mejor protección contra el clima y los contaminantes externos. Cuando no lo use, o para almacenarlo por períodos prolongados, mantenga el ahumador bajo una cubierta en una cochera o cobertizo.

TABLA DE FRECUENCIA DE LIMPIEZA (USO NORMAL)

ARTÍCULO	FRECUENCIA DE LIMPIEZA	MÉTODO DE LIMPIEZA
Puerta de vidrio del gabinete principal	Cada 2 a 3 sesiones de ahumado	Mezcle bicarbonato de sodio y vinagre, frote con lana de acero (fino)
Parte inferior del gabinete principal	Cada 5 a 6 sesiones de ahumado	Saque con pala o aspiradora los desechos
Cámara de combustión	Después de cada sesión de ahumado	Saque con pala o aspiradora los desechos
Parrillas de cocción	Después de cada sesión de ahumado	Queme los residuos, cepillo de alambre de latón
Bandeja de agua	Después de cada sesión de ahumado	Fibra de limpieza y agua jabonosa
Bandeja de grasa	Después de cada sesión de ahumado	Fibra de limpieza y agua jabonosa
Tubo de salida de grasa	Cada 5 a 6 sesiones de ahumado	Fibra de limpieza y agua jabonosa

Sistema de alimentación por barreno	Cuando la bolsa de pellas esté vacía	Deje que el barreno empuje el aserrín, dejando la tolva vacía
Componentes eléctricos	Una vez al año	Sacuda el interior, limpie las aspas del ventilador con agua jabonosa
Respiradero de entrada de aire	Cada 5 a 6 sesiones de ahumado	Sacuda, fibra de limpieza y agua jabonosa
Sensor para carne	Después de cada sesión de ahumado	Fibra de limpieza y agua jabonosa
Sonda de parrilla	Cada 2 a 3 sesiones de ahumado	Fibra de limpieza y agua jabonosa

USO DEL COMBUSTIBLE DE PELLAS DE MADERA

Estos pellas de madera para ahumador se queman de manera limpia y generan alrededor de 8 651,458 J/kg con muy poca ceniza, poco contenido de humedad (5%-7%) y son neutrales en carbón. Los pellas de madera para ahumador se producen con material puro en bruto (aserrín) que se pulveriza en un aserradero, y el material se pasa a presión por un troquel. Conforme el pella pasa por el troquel, se corta, se enfría, se inspecciona, se aspira y se empaqueta para su venta al consumidor. Consulte a su distribuidor local respecto a los sabores disponibles en su región.

MEZCLA DE NOGAL 
Rico sabor ahumado, similar al tocino.
Considerada la "reina de las maderas".

MEZCLA DE MANZANO 
Sabor ahumado, ligeramente dulce.
Muy recomendado para hornear.


MEZCLA DE MEZQUITE 
Sabor fuerte y picante.
Especial para cocina Tex-Mex.

MEZCLA DE ARCE 
Sabor dulce y salado.

MEZCLA DE ALISO 
Dulce y terroso. Mezcla de aliso, arce y pino.

MEZCLA DE ÁRBOLES FRUTALES 
Mezcla de cerezo, manzano y arce.

MEZCLA DE CEREZO 
Ligeramente dulce, pero también ácido.
Le da un tinte rosado a las comidas claras.

MEZCLA DE BARRIL DE WHISKY 
Humo fuerte y dulce con un sabor aromático.
Perfecta para carnes rojas.

MEZCLA DE COMPETENCIA 
Mezcla perfecta de dulce, picante y ácido.
Usada por muchos profesionales del asador.

MEZCLA DE PACANA 
Sabor audaz, mantecoso y suave.

MEZCLA DE ROBLE 
Sabor rico y ahumado.

MEZCLA CLÁSICA 
Mezcla de pacana, nogal y mezquite.

NOTA: Siempre guarde los pellas de madera en un lugar seco. Evite todo el contacto o exposición a la humedad, ya que esto resultará en una menor generación de calor o hará que los pellas se hinchen y desmoronen. Use una tina o cubeta hermética a prueba de humedad para almacenarlos correctamente.

LINEAMIENTOS PARA COCINAR

Ahumar y asar pueden dar diferentes resultados dependiendo del tiempo y la temperatura. Para obtener los mejores resultados lleve un registro de lo que cocinó, a qué temperatura, por cuánto tiempo, y los resultados. Ajuste a su gusto la próxima vez. La práctica hace al maestro. El arte culinario del ahumado caliente significa un tiempo de cocción más largo, pero le da a sus carnes un sabor de madera más natural (y un muy codiciado "anillo de humo"). Las temperaturas de cocción más altas resultan en tiempos de cocción más cortos y menos sabor ahumado.

CONSEJO: Para obtener los mejores resultados, deje que las carnes reposen después de cocinarlas. Esto permite que los jugos naturales regresen al interior de la carne, con lo que tendrá un corte mucho más jugoso y sabroso. Los tiempos de reposo pueden ser de 3 minutos hasta 60 minutos, dependiendo del tamaño de la proteína.

ESTILO DE COCINA	AHUMADO CALIENTE (Muy bajo)	ASADO (Bajo)	HORNEADO (Medio)	COCIDO (Medio / Alto)
Rango de temperaturas	93°C-135°C / 200-275°F	135°C-162°C / 275-325°F	162°C-190°C / 325-375°F	204°C-232°C / 400-450°F

TIEMPO APROXIMADO DE COCCIÓN				
RES	Tamaño	Un cuarto - 54°C / 130°F	Medio - 60°C / 140°F	Bien cocido - 65°C / 150°F
Costilla asada (deshuesada)	2,26 - 2,72 kg / 5 - 6 lbs.		1 horas 30 minutos a 2 horas	
Costillas asadas (sin hueso)	5,44 - 6,35 kg / 12 - 14 lbs.		2 horas 30 minutos a 2 horas 45 minutos	
Salchicha (fresco)	Todos los tamaños			4 horas a 5 horas
Asado (sin hueso)	Todos los tamaños	4 horas a 5 horas		
Costillas	Todos los tamaños	Cocine hasta que la carne salga del hueso (aproximadamente 4 horas - 6 horas)		
Brisket	7,25 - 3,62 kg / 16 -18 lbs.	Asar hasta que la temperatura interna llegue a 91°C / 195°F		

CERDO	Tamaño	Recalentar - 60°C / 140°F	Medio - 66°C / 150°F	Bien cocido - 71°C / 160°F
Jamón (cocido)	Todos los tamaños	2 horas a 2 horas 45 min		
Jamón (fresco)	4,53-5,44 kg / 10-12 lbs.			7 horas a 8 horas
Salchicha (fresco)	Todos los tamaños			4 horas a 5 horas
Asado de lomo	1,36-1,81 kg / 3 - 4 lbs.		1 horas a 2 horas	2 horas a 3 horas
Corona de costillas asada	1,81-2,26 kg / 4 - 5 lbs.		1 horas 30 minutos a 2 horas	2 horas a 3 horas
Boston Butt (hombro de puerco)	3,62-4,53 kg / 8-10 lbs.			93 - 98°C / 200 - 210°F Temperatura interna
Costillas	Todos los tamaños	Cocine hasta que la carne salga del hueso (aproximadamente 4 horas - 6 horas)		
Chuleta de cerdo (lomo, costilla)	Todos los tamaños	Cocine hasta que la carne salga del hueso (aproximadamente 4 horas - 6 horas)		

CORDERO	Tamaño	Un cuarto - 54°C / 130°F	Medio - 60°C / 140°F	Bien cocido - 71°C / 160°F
Asado (fresco)	2,26 - 2,72 kg / 5 - 6 lbs.		5 horas a 6 horas	

AVES	Tamaño	Un cuarto - 54°C / 130°F	Medio - 60°C / 140°F	Bien cocido - 82°C / 180°F
Pavo (entero)	4.53-5.44 kg / 10-12 lbs.			7 horas a 8 horas
Pollo (entero)	Todos los tamaños			5 horas a 6 horas
Muslos, pechugas	Todos los tamaños			4 horas a 5 horas
Aves de caza pequeñas	Todos los tamaños			4 horas a 5 horas
Pato	1,36-2,26 kg / 3-5 lbs.			5 horas a 6 horas

PESCADO	Tamaño	Un cuarto - 54°C / 130°F	Medio - 60°C / 140°F	Bien cocido - 82°C / 180°F
Pescado (entero)	Todos los tamaños			2 horas a 3 horas, hasta que escamosa
Pescado (filetes)	Todos los tamaños			1 horas a 2 horas, hasta que escamosa

CAZA	Tamaño	Un cuarto - 60°C / 140°F	Medio - 71°C / 160°F	Bien cocido - 77°C / 170°F
Asado (fresco)	2,26 - 2,72 kg / 5 - 6 lbs.		5 horas a 6 horas	
Cortes grandes (fresco)	3,62-4,53 kg / 8-10 lbs.			7 horas a 8 horas

CONSEJOS Y TÉCNICAS

Siga estos útiles consejos y técnicas, transmitidos por los dueños de Pit Boss® Grills, nuestro personal y nuestros clientes, como usted, para familiarizarse con su ahumador:

1. SEGURIDAD DE LOS ALIMENTOS

- Mantenga limpio todo lo que haya en la cocina y en el área para cocinar. Use platos y utensilios diferentes para la carne cocida que los que utilizó para preparar o transportar la carne cruda al ahumador. Esto evitará la contaminación cruzada por bacterias. Cada marinada o salsa para untar debe tener su propio utensilio.
- Mantenga las comidas calientes calientes (a más de 60°C / 140°F), y mantenga las comidas frías frías (a menos de 3°C / 37°F).
- Nunca debe guardar una marinada para usarla en el futuro. Si la va a servir con la carne, asegúrese de hervirla antes de servir.
- Los alimentos cocidos no deben dejarse en un entorno caliente por más de una hora. No deje alimentos calientes fuera del refrigerador por más de dos horas.
- Descongele y marine las carnes en refrigeración. No descongele la carne a temperatura ambiente ni sobre un mostrador. Las bacterias pueden crecer y multiplicarse con rapidez en comidas calientes y húmedas. Lávese las manos cuidadosamente con agua tibia y jabón antes de iniciar la preparación de los alimentos y después de manejar carne fresca, pescado y aves.

2. PREPARACIÓN PARA COCINAR

- Esté preparado o **Mise en Place**. Esto se refiere a estar preparado con la receta, el combustible, los accesorios, los utensilios y todos los ingredientes que necesita junto al ahumador antes de empezar a cocinar. Además, lea toda la receta, de principio a fin, antes de encender el ahumador.
- Un tapete para ahumador es muy útil. Debido a los accidentes al manejar la comida y las salpicaduras al cocinar, un tapete protege su terraza, patio o piso de piedra del riesgo de manchas de grasa o derrames accidentales.

3. CONSEJOS Y TÉCNICAS PARA COCINAR

- Para infundir más sabor ahumado a sus carnes, cocínelas por más tiempo y a temperaturas más bajas (esto también se conoce como "**bajo y lento**"). La carne cerrará sus fibras cuando alcance una temperatura interna de 49 °C / 120 °F. Aplicar líquidos en aerosol o con un pequeño "trapeador" son excelentes maneras de evitar que la carne se seque.
- Al marcar sus carnes, cocine con la tapa cerrada. Siempre use un termómetro de carne para determinar la temperatura interna de los alimentos que está cocinando. Ahumar la comida con pellas de madera dura le da un tono rosado a la carne y las aves. La banda rosada (después de cocinar), conocida como "**anillo de humo**", es muy apreciada por los chefs de ahumador.
- Es mejor aplicar las salsas con base de azúcar cerca del final de la cocción, para evitar que se quemen o provoquen llamaradas.
- Deje un espacio de separación entre la comida y los extremos del barril para que el calor fluya apropiadamente. Los alimentos en una parrilla muy llena necesitarán más tiempo de cocción.
- Use un juego de tenazas de mango largo para voltear las carnes, y una espátula para voltear hamburguesas y pescados. Si usa un utensilio puntiagudo, como un trinche, perforará la carne y permitirá que se escapen los jugos.
- Las comidas en platos hondos necesitarán más tiempo de cocción que en una charola plana.
- Es una buena idea colocar los alimentos preparados en un hornillo para mantenerlos calientes. Las carnes rojas, como los bistecs y asados, saben mejor cuando reposan varios minutos antes de servirlos. Esto permite que los jugos que el calor sacó a la superficie regresen al centro de la carne, dándole más sabor.

SOLUCIÓN DE PROBLEMAS

La limpieza apropiada, el mantenimiento y el uso de combustible de calidad, limpio y seco, evitarán problemas comunes en la operación. Cuando su ahumador Pit Boss® Grills no funcione bien, o con menos frecuencia, los siguientes consejos para solucionar problemas podrían serle de utilidad. Para preguntas frecuentes, visite www.pitboss-grills.com. También puede comunicarse con el Servicio al cliente de Pit Boss® Grills para obtener ayuda (si web únicamente en inglés).

ADVERTENCIA: Siempre desconecte el cable de alimentación eléctrica antes de abrir el ahumador para realizar cualquier trabajo de inspección, limpieza, mantenimiento o servicio. Asegúrese de que el ahumador está completamente frío para evitar lesiones.

PROBLEMA	CAUSA	SOLUCIÓN
No hay luces de encendido en el panel de control	Botón Power (Encendido)	Oprima el botón Power (Encendido) Inténtelo de nuevo y manténgalo oprimido dos segundos para confirmar la conexión.
	No conectado a la alimentación eléctrica, el tomacorriente Gfci se ha desconectado	Asegúrese de que el ahumador está conectado a un tomacorriente funcional. Restablezca el disyuntor. Asegúrese de que el GFCI tiene capacidad para 10 amperios como mínimo (consulte el Diagrama de cableado eléctrico para el acceso a los componentes eléctricos). Asegúrese de que todas las conexiones de cables están bien conectadas y secas.
	Fusible fundido en el panel de control	Retire los accesorios para cocinar del gabinete principal para ahumar. Gire la unidad hacia un lado y quite los tornillos en la parte posterior del panel de control. Revise el fusible para ver si un cable está roto o si el tubo del fusible transparente se ha vuelto negro.. Si es así, sustitúyalo manualmente con un fusible nuevo.
	Falla en el panel de control	Es necesario reemplazar el panel de control. Comuníquese con Servicio al Cliente para solicitar el repuesto (servicio al caliente no válido en México).
No se enciende fuego en la cámara de combustión	El barreno no está preparado	Antes de usar la unidad por primera vez, o cada vez que la tolva se vacíe por completo, el barreno debe prepararse para permitir que la cámara de combustión se llene de pellas. Si no se prepara, el encendedor se agotará antes de que los pellas se enciendan. Siga el procedimiento de preparación de la tolva .
	El motor del barreno está atascado	Retire los accesorios para cocinar del gabinete principal para ahumar. Oprima el botón Power (Encendido) para encender la unidad, gire el marcador de control de temperatura a SMOKE (AHUMAR) e inspeccione el sistema de alimentación por barreno. Confirme visualmente que el barreno está depositando los pellas en la cámara de combustión. Si no funciona correctamente, llame a Servicio al Cliente para pedir asistencia o un repuesto.
	Falla del encendedor	Retire los accesorios para cocinar del gabinete principal para ahumar. Oprima el botón Power (Encendido) para encender la unidad, gire el marcador de control de temperatura a SMOKE (AHUMAR) e inspeccione el encendedor. Confirme visualmente que el encendedor está funcionando, colocando su mano sobre la cámara de combustión para percibir que haya calor. Confirme visualmente que el encendedor sobresale alrededor de 13 mm / 0,5 pulg. en la cámara de combustión. Si no funciona correctamente, siga el procedimiento de arranque manual para seguir usando el ahumador; sin embargo, debe llamar a Servicio al Cliente para pedir asistencia o un repuesto.
Hay puntos parpadeando en la pantalla LCD	El encendedor está funcionando	Este no es un error que afecte la unidad. Se usa para mostrar que la unidad tiene energía y está en modo de Encendido (el encendedor está encendido). El encendedor se apagará después de cinco minutos. Una vez que desaparezcan los puntos parpadeantes, la unidad se ajustará a la temperatura seleccionada.
La temperatura está parpadeando en la pantalla LCD	La temperatura de la unidad es menor a 65 °C / 150 °F	Este no es un error que afecte a la unidad; sin embargo, se utiliza para mostrar que existe el riesgo de que el fuego se apague. Revise que la tolva tenga suficiente combustible y que no haya una obstrucción en el sistema de alimentación. Saque los pellas y siga las instrucciones de Cuidado y mantenimiento. Revise el sonda de parilla y siga las instrucciones de Cuidado y mantenimiento si está sucio. Revise la cámara de combustión para eliminar residuos de ceniza u obstrucciones y siga las instrucciones de Cuidado y mantenimiento en caso de cenizas acumuladas. Revise el ventilador. Asegúrese de que funciona correctamente y de que la entrada de aire no está bloqueada. Siga las instrucciones de Cuidado y mantenimiento si está sucio. Revise el motor del barreno para confirmar que está funcionando (rotación) y asegúrese de que no hay obstrucciones en el tubo del barreno.

Código de error "ErH"	El ahumador se ha sobrecalentado, probablemente debido a un fuego de grasa o exceso de combustible	Oprima y sostenga el botón Power (Encendido) para apagar la unidad y permita que el ahumador se enfríe. Siga las instrucciones de Cuidado y mantenimiento . Después del mantenimiento, saque las pellas y confirme la posición de todos los componentes. Una vez que se enfríe, oprima el botón Power (Encendido) para encender la unidad y seleccione la temperatura deseada. Si aún aparece el código de error, comuníquese con Servicio al Cliente. (no válido en México).
Código de error "Er1"	El cable del sonda de parilla no está conectado	Acceda a los componentes eléctricos en la base de la unidad (consulte el Diagrama de cables eléctricos) y verifique si hay daños en los cables del sonda de parilla. Asegúrese de que los conectores molex del sonda de parilla estén firme y correctamente conectados al panel de control.
Código de error "noP"	Mala conexión en el puerto de conexión	Desconecte el sensor para carne del puerto de conexión del panel de control y vuelva a conectarlo. Asegúrese de que el adaptador del sensor para carne está bien conectado. Revise si hay signos de daño en el extremo del adaptador. Si aún falla, llame a Servicio al cliente para solicitar el repuesto.
	Sensor para carne dañado	Revise que los cables del sensor para carne no muestren señales de daños. Si existen daños, llame a Servicio al Cliente para solicitar el repuesto.
	Falla en el panel de control	Es necesario reemplazar el panel de control. Comuníquese con Servicio al Cliente para solicitar el repuesto.
El ahumador no alcanza o mantiene una temperatura estable	Flujo insuficiente de aire en la cámara de combustión	Revise la cámara de combustión para eliminar residuos de ceniza u obstrucciones. Siga las instrucciones de Cuidado y mantenimiento en caso de cenizas acumuladas. Revise el ventilador. Asegúrese de que funciona correctamente y de que la entrada de aire no está bloqueada. Siga las instrucciones de Cuidado y mantenimiento si está sucio. Revise el motor del barreno para confirmar que está funcionando y asegúrese de que no hay obstrucciones en el tubo del barreno. Una vez que haya seguido todos los pasos anteriores, encienda el ahumador, configure la temperatura en SMOKE (AHUMAR) y espere 10 minutos. Verifique que las llamas producidas sean brillantes y vivas.
	Falta de combustible, combustible de mala calidad, obstrucción en el sistema de alimentación	Revise la tolva y asegúrese de que tenga un nivel suficiente de combustible y vuelva a llenarla si el nivel está bajo. Si la calidad de los pellas de madera es mala, o si los pellas son demasiado largos, podría presentarse una obstrucción del sistema de alimentación. Saque las pellas y siga las instrucciones de Cuidado y mantenimiento .
	Sonda de parilla	Revise el estado del sonda de parilla. Siga las instrucciones de Cuidado y mantenimiento si está sucio. Si está dañado, comuníquese a Servicio al Cliente (no válido en México) para solicitar el repuesto.
El ahumador produce humo excesivo o sin color	Acumulación de grasa	Siga las instrucciones de Cuidado y mantenimiento .
	Calidad de los pellas de madera	Elimine los pellas de madera húmedos de la tolva. Siga las instrucciones de Cuidado y mantenimiento para la limpieza. Reemplace con pellas de madera secos.
	La cámara de combustión está bloqueada	Saque los pellas de madera húmeda de la cámara de combustión. Siga el procedimiento de preparación de la tolva .
	Entrada de aire insuficiente para el ventilador	Revise el ventilador. Asegúrese de que funciona correctamente y de que la entrada de aire no está bloqueada. Siga las instrucciones de Cuidado y mantenimiento si está sucio.
Llamaradas frecuentes	Temperatura de cocción	Intente cocinar a una temperatura más baja. La grasa tiene un punto de inflamación. Mantenga la temperatura debajo de 176 °C / 350 °F cuando cocine comida muy grasosa.
	Acumulación de grasa en los componentes de cocina	Siga las instrucciones de Cuidado y mantenimiento .

DIAGRAMA DE CABLEADO ELÉCTRICO

El sistema del centro de control digital es un dispositivo tecnológico intrincado y valioso. Para protegerlo de los picos de voltaje y los cortocircuitos eléctricos, consulte el siguiente diagrama de cableado para asegurarse de que su fuente de alimentación es suficiente para la operación de la unidad.

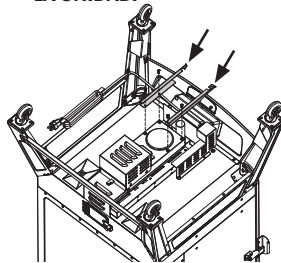
PB - REQUISITOS DE ALIMENTACIÓN ELÉCTRICA 110-120 V, 60 Hz, 250 W, CONECTOR DE 3 CLAVIJAS CON TIERRA

NOTA: Los componentes eléctricos, que pasaron por pruebas y servicios de certificación de seguridad de productos, cumplen con una tolerancia de prueba de $\pm 5-10$ por ciento.

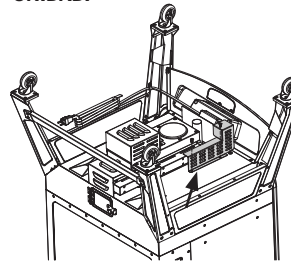
- 1** DESCONECTE LA ALIMENTACIÓN ELÉCTRICA ANTES DE DAR SERVICIO O HACER MANTENIMIENTO.



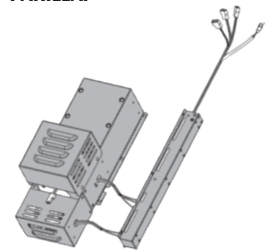
- 2** RETIRE LOS DOS SOPORTES DE LA BANDEJA DE GRASA DE LA PARTE INFERIOR DE LA UNIDAD.



- 3** RETIRE LA CARCASA DE LOS COMPONENTES DEL CABLEADO DE LA PARTE INFERIOR DE LA UNIDAD.

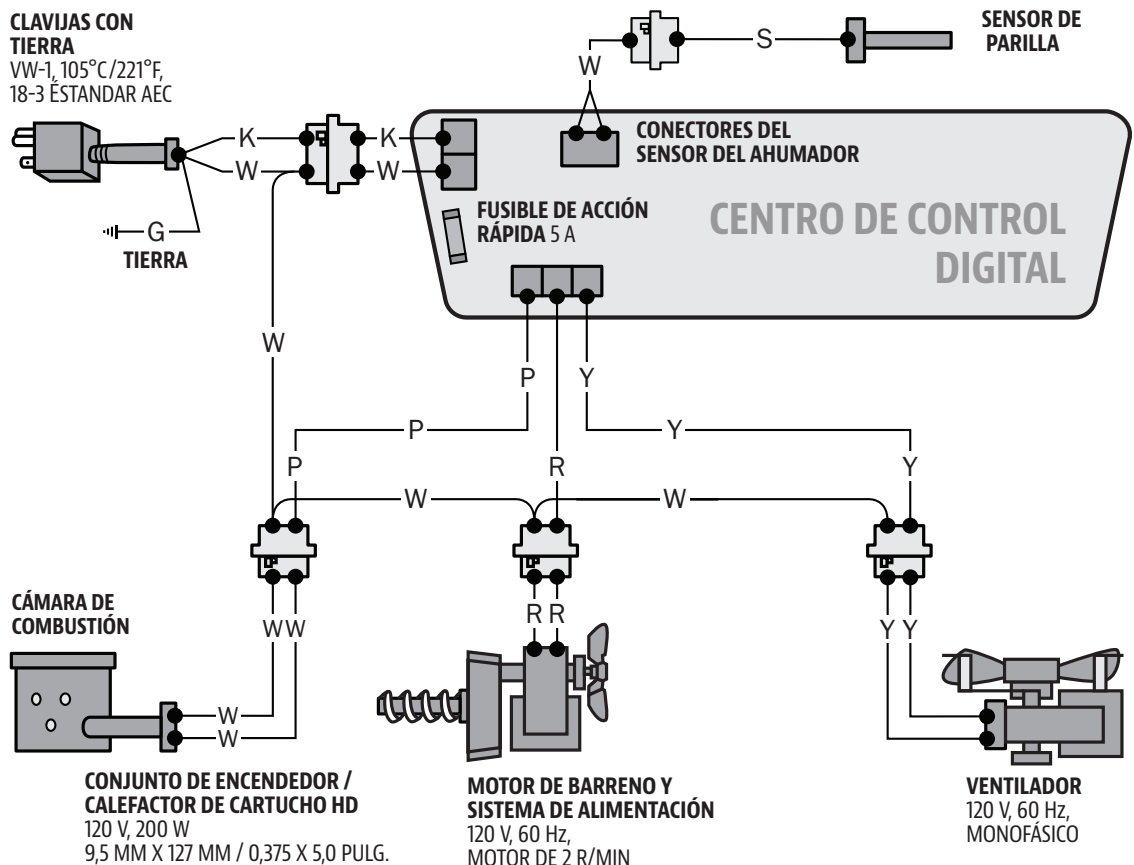


- 4** ACCEDA A LOS COMPONENTES DE CABLEADO UBICADOS EN LA CARCASA DEL Sonda DE PARILLA.



CAPACIDAD DE ENTRADA DE COMBUSTIBLE:
1,1 KG/H
(2.4 LB/H)

CLAVIJAS CON TIERRA
VW-1, 105°C/221°F,
18-3 ESTÁNDAR AEC

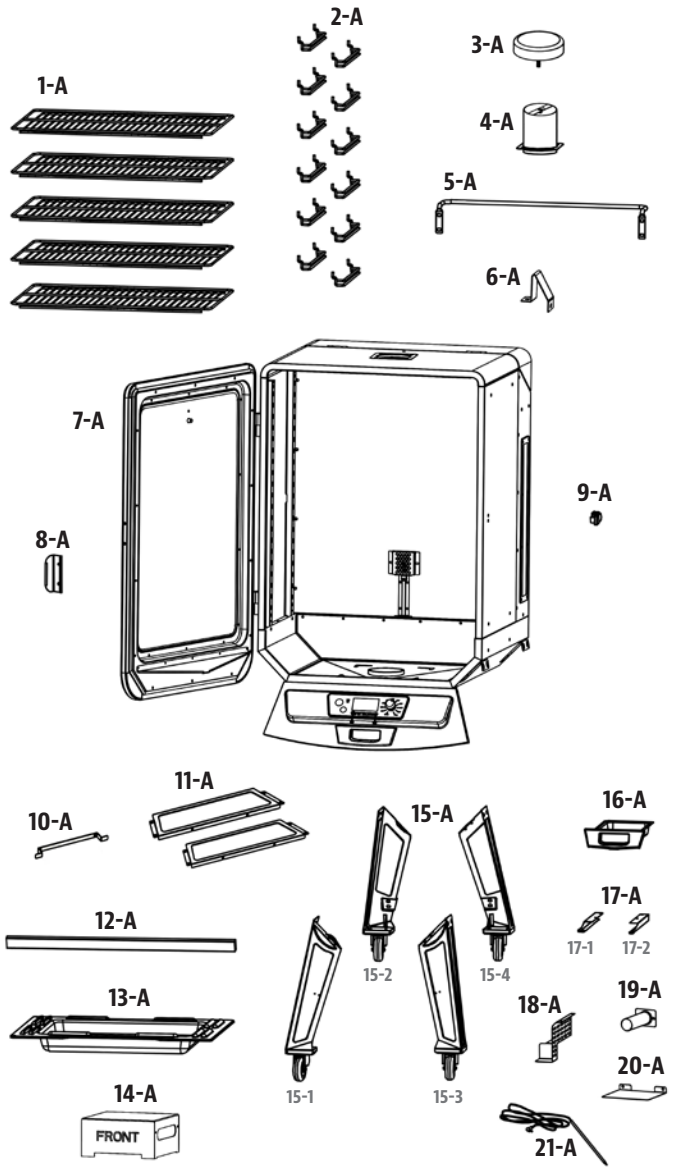


ÍNDICE

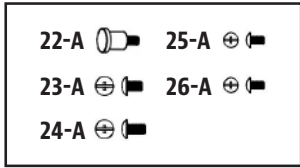
W : BLANCO
Y : AMARILLO
P : PÚRPURA
R : ROJO
K : NEGRO
S : PLATEADO

REFACCIONES DE AHUMADOR

Nº	Descripción
1-A	Rejillas de cocción (x5)
2-A	Suportes para rejilla de cocción (x12)
3-A	Tapa de chimenea (x1)
4-A	Chimenea (x1)
5-A	Manija trasera (x1)
6-A	Tope de tapa (x1)
7-A	Gabinete principal (x1)
8-A	Manija de puerta del gabinete (x1)
9-A	Pestillo para puerta del gabinete (x1)
10-A	Suporte para cable de alimentación (x1)
11-A	Panel de soporte (x2)
12-A	Barra de soporte (x1)
13-A	Bandeja para agua (x1)
14-A	Difusor de llamas (x1)
15-A	Pata de soporte con rueda (x4)
16-A	Bandeja para grasa (x1)
17-A	Suportes de bandeja para grasa (x2)
18-A	Carcasa para cables de componentes (x1)
19-A	Tubo de escape para grasa (x1)
20-A	Protector de calor (x1)
21-A	Sonda para carne (x1)
22-A	Perilla de puerta (x1)
23-A	Tornillo #20-6,3 mm x 1,27 cm (x12)
24-A	Tornillo #20-6,3 mm x 1,58 cm (x4)
25-A	Tornillo #10-24 mm x 1,27 cm (x34)
26-A	Tornillo #10-24 mm x 0,83 cm (x2)

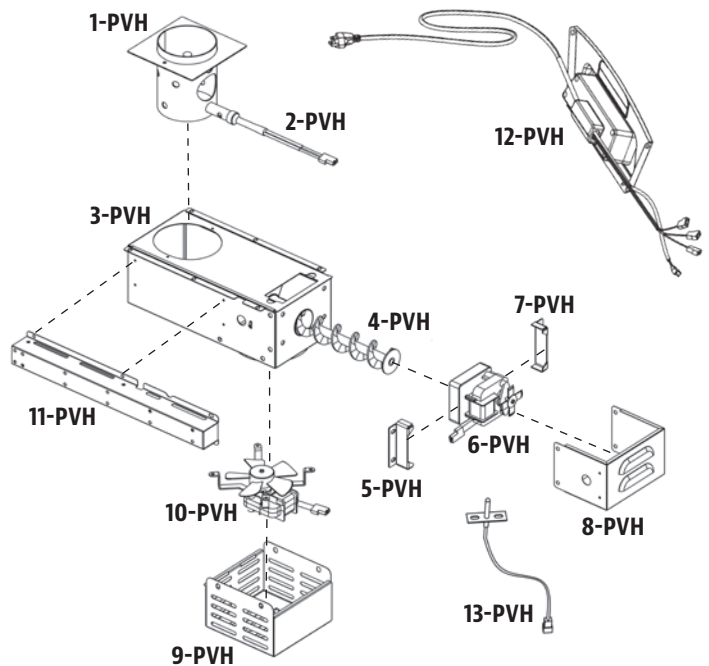


NOTA: Debido a que los productos están en desarrollo constante, las partes están sujetas a cambios sin previo aviso.



REFACCIONES ELÉCTRICO

N°	Descripción
1-PVH	Cámara de combustión (x1)
2-PVH	Encendedor (x1)
3-PVH	Carcasa de la caja del barreno (x1)
4-PVH	Conjunto de espiral del barreno (x1)
5-PVH	Soporte izquierdo del motor de barreno (x1)
6-PVH	Motor de barreno (x1)
7-PVH	Soporte derecho del motor de barreno (x1)
8-PVH	Carcasa del motor de barreno (x1)
9-PVH	Carcasa del ventilador de combustión (x1)
10-PVH	Ventilador de combustión (x1)
11-PVH	Carcasa del sonda de parilla (x1)
12-PVH	Panel de control (x1)
13-PVH	Sonda de parilla (x1)



GARANTÍA

CONDICIONES

Todos los ahumadores de pellas de madera de Pit Boss® Grills, fabricados por Dansons, tiene una garantía limitada a partir de la fecha de venta solo para el comprador original. La cobertura de la garantía comienza en la fecha original de compra y es necesario un comprobante de la fecha de la compra o una copia de la factura original de compra para validar la garantía. Los clientes deberán cubrir el costo de las refacciones, manejo y envío si no pueden proporcionar el comprobante de compra o si la garantía ha expirado.

Dansons ofrece una garantía por cinco (5) años contra defectos y mano de obra en todas las partes, y por cinco (5) años en los componentes eléctricos. Dansons garantiza que todas las partes están libres de defectos materiales y de mano de obra, para el período de uso y propiedad del comprador original. La garantía no cubre daños por desgaste normal, tales como rasguños, abolladuras, muescas o fisuras menores superficiales. Estos cambios estéticos en la parrilla no afectan su rendimiento. La reparación o reemplazo de cualquier pieza no extiende el período de garantía limitada más allá de cinco (5) años de la fecha de compra.

Durante el período de la garantía, la obligación de Dansons se limitará solo a suministrar un reemplazo para componentes defectuosos y/o que presenten fallas. Durante el período de garantía, Dansons no cobrará por reparaciones o reemplazos de partes devueltas, con envío prepagado, si considera que las partes son defectuosas luego de haberlas examinado. Dansons no será responsable de costos de transporte, mano de obra o derechos de exportación. Salvo por lo establecido en estas condiciones de la garantía, la reparación o reemplazo de partes, de la manera y durante el período de tiempo aquí mencionados, constituye el cumplimiento de todas las responsabilidades y obligaciones, directas y derivadas, de Dansons hacia usted.

Dansons hace todo lo posible por utilizar materiales que retarden la oxidación. Incluso con estas precauciones, diferentes sustancias y condiciones fuera del control de Dansons pueden afectar los recubrimientos protectores. Las Temperaturas altas, la humedad excesiva, el cloro, los humos industriales, los fertilizantes, los pesticidas de jardín y la sal son algunas de las sustancias que pueden afectar los recubrimientos del metal. Por estas razones, la garantía no cubre corrosión ni oxidación, a menos que exista una pérdida de integridad estructural en el componente del ahumador. Si ocurre alguna de las condiciones anteriores, consulte la sección de cuidado y mantenimiento para prolongar la vida útil de su unidad. Dansons recomienda el uso de una cubierta para el ahumador cuando este no esté en uso.

La garantía se basa en el uso y servicio doméstico normal del ahumador, y ninguna garantía limitada se aplica a un ahumador que se utilice en aplicaciones comerciales.

EXCEPCIONES

No existe una garantía escrita o implícita de desempeño en los ahumadores Pit Boss® Grills, ya que el fabricante no tiene control sobre la instalación, la operación, la limpieza, el mantenimiento o el tipo de combustible utilizado. Esta garantía no aplicará, y Dansons no asumirá ninguna responsabilidad, si su aparato no se instaló, operó, limpió o mantuvo en estricto cumplimiento con este manual del propietario. Cualquier uso de gas que no se explique en este manual puede anular la garantía. La garantía no cubre daños ni fallas debidas al mal uso, manejo inapropiado o modificaciones.

Ni Dansons ni el distribuidor autorizado de Pit Boss® Grills asumen responsabilidad alguna, jurídica o de otro tipo, por los daños accidentales o consecuentes a los bienes o las personas debido al uso de este producto. Si se realiza una demanda contra Dansons con base en una infracción de esta garantía o de cualquier otro tipo de garantía explícita o implícita por la ley, el fabricante de ninguna manera será responsable de cualquier daño especial, indirecto o consecuente, ni por otros daños de cualquier naturaleza, por encima del precio original de compra de este producto. Todas las garantías del fabricante se especifican en este documento y no se puede realizar ninguna demanda contra el fabricante por cualquier garantía o promesa.

Algunos estados no permiten la exclusión o limitación de daños incidentales o consecuentes, o limitaciones de garantías implícitas, así que las limitaciones o exclusiones especificadas en esta garantía limitada podrían no aplicar para usted. Esta garantía limitada le da derechos jurídicos específicos y usted podría tener otros derechos, los cuales varían de estado a estado.

CÓMO ORDENAR REFACCIONES

Para ordenar refacciones, comuníquese con el distribuidor de Pit Boss® Grills de su localidad, o visite nuestra tienda en línea en: www.pitboss-grills.com (página web únicamente en inglés).

CONTACTO CON SERVICIO AL CLIENTE

Si tiene preguntas o problemas, comuníquese con servicio al cliente:

EE.UU : (480) 923-9630 | Canada (GRATUITA) : 1-877-942-2246

SERVICIO BAJO GARANTÍA

Comuníquese con su distribuidor Pit Boss® Grills más cercano para reparaciones o refacciones. Dansons requiere un comprobante de compra para otorgar una reclamación de garantía; por lo tanto, conserve su recibo o factura de venta original para referencia futura. Puede ver el número de serie y modelo de su Pit Boss® Grills en el interior de la tapa de la tolva. Escriba los números a continuación, ya que la etiqueta podría desgastarse o quedar ilegible.

MODELO

NÚMERO DE SERIE

FECHA DE COMPRA

DISTRIBUIDOR AUTORIZADO

ACCESSOIRES VENDUS SÉPARÉMENT

Disponible à l'achat séparément. Accessoires non disponibles et fournis par tous les concessionnaires autorisés de Pit Boss®.

ARTICLE	DESCRIPTION	ARTICLE	DESCRIPTION
	CUBIERTA DE ASADOR Cubierta completa, adaptada a la forma. Poliéster de uso pesado con respaldo de PVC para uso a largo plazo. Impermeable. Incluye un cordón sujetador para ajustarlo con facilidad.		DELANTAL PARA ASAR Delantal ajustable con dos bolsillos al frente para sus herramientas para cocinar. Talla única. Lavable a máquina.
	TAPETE PARA ASADOR Fácil de limpiar, con protección UV. Protección para su terraza. 132cm x 86cm / 52 x 34 pulg		GUANTE DE PARRILLA Maneje ollas y sartenes de hierro fundido sin dudar. Resiste temperaturas extremas de hasta 475 ° F (246 ° C).
	JUEGO DE HERRAMIENTAS DE 3 PIEZAS Desde la preparación hasta la presentación, está cubierto con estos conceptos básicos de barbacoa. <i>Aptas para el lavavajillas. Acero inoxidable.</i>		SALSAS DISTINTIVAS Una colección de salsas gourmet para preparar y mejorar los sabores naturales de sus comidas.
	CORTADOR DE PIZZA MECEDORA Balancee la cuchilla de lado a lado para cortar, asegurándose de que todo se quede donde pertenece. <i>Lavado a mano. Acero inoxidable.</i>		ESPECIAS DISTINTIVAS Una colección de sazonadores gourmet para preparar y mejorar los sabores naturales de sus comidas.
	PRENSA PARA HAMBURGUESAS 3 EN 1 Crea exquisitas hamburguesas y deslizadores clásicos, o haz todo lo posible y crea creaciones rellenas que te harán agua la boca. <i>Aptas para el lavavajillas. El plástico.</i>		SONDA DE CARNE Termómetro de carne de acero inoxidable con adaptador. Cuando está conectado, la temperatura de los alimentos se muestra en la placa de control.
	PARRILLA DE TOCINO Los comederos de grasa atrapan toda la grasa del tocino, evitando brotes y asegurando un tocino perfectamente cocinado en todo momento. <i>Aptas para el lavavajillas. Recubrimiento antiadherente.</i>		LUZ DE PARRILLA LCD FLEXIBLE Con 9 bombillas LCD, un diseño de abrazadera y un cuello flexible de 12 "que le permite ajustar para obtener la máxima visibilidad. <i>Se requieren 3 pilas AAA. Baterías no incluidas</i>
	BANDEJA DE DESCONGELACIÓN Acelere el proceso de descongelación sin el uso de un microondas. Descongele su comida en la mitad del tiempo usando el maquillaje de aluminio fundido de la bandeja. <i>Lavado a mano. Aluminio moldeado.</i>		

RECETAS

FLETÁN AHUMADO

Rinde 4 porciones

Sabor sugerido de la viruta de madera: Nogal / Cerezo / Mezquite

Ingredientes:

900g / 2 libras	Filetes de fletán
125 ml / ½ tz.	Mantequilla
15 ml / 1 C.	Eneldo fresco

Instrucciones:

1. Lave los filetes con abundante agua fría y colóquelos sobre toallas de papel hasta que no quede agua visible.
2. Derrita una barra completa de mantequilla y espolvoree una cantidad abundante de eneldo fresco en la mantequilla derretida. Coloque los filetes en papel aluminio y forme un borde con el papel para contener la mantequilla. Con una brocha de cocina, unte la mantequilla derretida y la mezcla de eneldo a ambos lados del filete de pescado.
3. **Precalente el ahumador, luego ajústelo a 107 °C / 225 °F.**
4. Coloque el pescado en el ahumador. Revise los filetes cada 15 minutos para ver que tengan un aspecto húmedo. Unte la mezcla de mantequilla y eneldo cuando sea necesario. El pescado debería comenzar a hojaldrarse en unos 45 minutos.
5. Cuando el pescado se hojaldre muy fácilmente, sáquelo del ahumador y síralo.

GALLINA DE CORNUALLES AHUMADA

Rinde 4 porciones

Sabor sugerido de la viruta de madera: Mezquite / Nogal / Competencia

Ingredientes:

4	Gallinas de Cornualles enteras
750 ml / 3 tz.	Arroz mandarín
15 ml / 1 C.	Aceite de oliva
5 ml / 1 c.	Paprika ahumada
250 ml / 1 tz.	Mermelada de naranja

Instrucciones:

1. **Precalente el ahumador, luego ajústelo a 135-177 °C / 275-350 °F.**
2. Enjuague las gallinas de Cornualles y séquelas con toallas de papel. Aplique una capa ligera de aceite de oliva con brocha a las gallinas y espolvoréelas con paprika.
3. Coloque las gallinas de Cornualles en el ahumador. Ahúmelas de 45 a 60 minutos, hasta que la carne de la pierna esté tierna al presionarla.
4. Unte las gallinas con mermelada de naranja durante los últimos 20 minutos del tiempo de cocción. Sáquelas del ahumador y acomódalas en un plato para servir.

Cómo hacer: SALSA DE POLLO

Si quiere usar los jugos para hacer una salsa, coloque el pavo en una parrilla dentro de una bandeja de papel aluminio grande. Añada 0,6 cm / ¼ pulg. de agua o caldo y algo de sazónador en el fondo de la

bandeja. Vigile los jugos, ya que quizá necesite añadir más durante el período de cocción.

BRISKET DE RES AHUMADO

Rinde 4 - 6 porciones

Sabor sugerido de la viruta de madera: Nogal / Competencia

Un brisket completo de res pesa de 7,25 a 3,62 kg / 16 a 18 libras y tiene tres partes distintas: el tope, la punta y la falda. Use la sección de la falda, ya que es magra, compacta y produce buenas rebanadas al cortarla.

Ingredientes:

1	Brisket de res 2,2-3,6 kg / 5-8 libras, La capa de grasa debe tener al menos 0,6 cm / ¼ pulg. de grosor
1 botella	Mostaza amarilla preparada
75 ml / 5 C.	Sazonador
1 botella	Salsa de chili
1 paquete	Mezcla seca de sopa de cebolla
375 ml / 1½ tz.	Caldo de res
40 ml / 8 c.	Pimienta negra

Instrucciones:

1. Extienda un trozo grande de plástico para envolver en su lugar de trabajo. De tamaño suficiente para envolver el brisket. Usando un cuchillo afilado, haga un corte en la parte inferior del brisket en contra del grano. Esto ayudará a rebanar el brisket terminado contra el grano, dándole un corte tierno que se deshace en la boca. La parte inferior es la que no tiene capa de grasa. Cubra con una cantidad generosa de mostaza preparada. Frótela ligeramente sobre toda el área. Esparza una cantidad generosa de sazónador sobre la mostaza, y vuelva a frotarla con suavidad en la carne. Voltee el brisket y repita el proceso. Envuelva el brisket preparado en el plástico y refrigere de 2 a 4 horas o toda la noche.
2. Prepare la mezcla para untar. Mezcle la salsa de chili, la mezcla seca de sopa de cebolla, el caldo de res y la pimienta negra. Déjelos reposar.
3. **Precalente el ahumador, luego bájalo a 82-107 °C / 180-225 °F.**
4. Coloque el brisket, con el lado de la grasa hacia arriba, en el centro del ahumador. Cierre la puerta del gabinete. Ahúme en caliente hasta que esté tierno, de 10 a 12 horas. Unte el brisket con la mezcla para untar al menos cada media hora durante las primeras 3 horas.
5. Continúe el proceso de ahumado lento hasta que la temperatura interna alcance 60-66 °C / 140-150 °F. Saque el brisket del ahumador. **Suba la temperatura del ahumador a 176 °C / 350 °F.**
6. Place the brisket into a pouch of double-layered aluminum foil. Pour 50 ml / ¼ cup of basting mixture over the brisket in the pouch. Close the pouch shut.
7. Coloque el envoltorio cuidadosamente en el ahumador. Ahúme de 1 a 1½ horas.
8. Abra el envoltorio y use un termómetro de carne, la temperatura

interna debe llegar a 91 °C / 195 °F. El brisket debe estar firme, pero debe poder desmenuzarse la carne con sus dedos.

9. Transfiera la carne a una tabla de cortar y déjela reposar por 10 minutos. Corte rebanadas delgadas contra el grano para servirlo.

ASADO DE COSTILLA DE PRIMERA AHUMADA

Rinde 6 - 8 porciones

Sabor sugerido de la viruta de madera: Nogal / Pacana / Competencia

Ingredientes:

2 libras	Asado de costilla de primera ahumada 0,9 kg / 2 libras
10 dientes	Ajo (picados)
45 ml / 2 C.	Sazonador
10 ml / 2 c.	Sal
10 ml / 2 c.	Pimienta

Instrucciones:

1. **Pre caliente el ahumador, luego ajústelo a 135 °C / 275 °F.**
2. Con el lado de la grasa de la carne hacia arriba, ate firmemente un extremo de una cuerda o cordel alrededor de un lado del asado. Continúe enlazando y atando el resto del asado, haciendo una presentación atractiva.
3. Lave bien el asado y seque con una toalla de papel.
4. Sazone libremente todo el asado con ajo, sal, pimienta y sazónador. Deje reposar el asado por 10 minutos para que se adhieran los condimentos.
5. Coloque el asado en el ahumador. Ahúme durante 45 a 60 minutos, hasta que la temperatura interna haya alcanzado 51 °C / 125 °F. Use un sensor para carne para controlar mejor el medio del asado.
6. Retire el asado con cuidado del ahumador y cubra con papel de aluminio. La carne continuará aumentando otros 3 °C / 5 °F hasta llegar a 54 °C / 125 °F a un término medio perfecto. Deje reposar la carne durante 10 minutos antes de cortar.

COSTILLAS AHUMADAS

Rinde 4 - 6 porciones

Sabor sugerido de la viruta de madera: Nogal / Manzano / Competencia

Ingredientes:

1,3-1,8 kg / 3-4 libras	Costillas Costillas de cerdo cargadas o costillas de lomo
5 ml / 1 c.	Sal
5 ml / 1 c.	Pimienta

Instrucciones:

1. **Pre caliente el ahumador, luego bájelo a 82-107 °C / 180-225 °F.**
2. Saque las costillas de la envoltura y drene todo el líquido de las costillas y luego lávelas en agua fría.
3. Colóquelas en la tabla de cortar y corte el exceso de grasa o piel de la parte inferior de las costillas. Gire las costillas con el hueso hacia arriba. Prepare las costillas quitando la capa de piel dura (membrana) en la parte trasera. Sazone las costillas con sal y pimienta al gusto.
4. Coloque las costillas con el lado del hueso hacia abajo en el ahumador.

5. Después de una hora, voltee las costillas con el lado del hueso hacia arriba y cocine durante una hora. Después de 2 y 1/2 horas, dependiendo del color que desee de la costilla, vierta una línea de una pulgada de ancho de su salsa BBQ favorita a lo largo de las costillas y envuélvalas firmemente en papel de aluminio. Colóquelas de nuevo en el ahumador y revise cada 15 a 20 minutos para ver si las costillas se separan usando su dedo para separarlas. Si se separan con facilidad, sus costillas están listas; la temperatura interna de sus costillas debe ser de 76 °C / 170 °F.
6. Sáquelas del ahumador y déjelas reposar en un plato de servir hasta que se enfríen lo suficiente para comer.

Variación: MÉTODO "MEMPHIS DRY"

Suba el ahumador a la temperatura máxima (204 °C / 400 °F). Vuelva a colocar las costillas en el ahumador y sazónelas con un sazónador o aliño seco por 5 a 8 minutos. Sáquelas del ahumador y sírvalas.

LOMO RELLENO DE CERDO AHUMADO

Rinde 4 - 8 porciones

Sabor sugerido de la viruta de madera: Manzano / Nogal / Cerezo

Ingredientes:

1	Lomo de cerdo entero 3,6 kg / 8 libras
1 frasco	Salsa
15 ml / 1 C.	Chile en polvo
15 ml / 1 C.	Azúcar moreno
5 ml / 1 c.	Paprika ahumada
45 ml / 3 C.	Miel (tibia)
Pizca	Canela molida

Instrucciones:

1. **Pre caliente el ahumador, luego ajústelo a 107-135 °C / 225-275 °F.**
2. Retire el lomo de cerdo del paquete, enjuáguelo con agua fría y seque el exterior con una toalla de papel.
3. Coloque una pieza de plástico para envolver en una tabla para cortar, luego coloque el lomo de cerdo encima y corte la carne ¾ del ancho. Abra el lomo de cerdo para que quede plano, y coloque una segunda pieza de plástico para envolver encima. Use un ablandador de carne o un rodillo para machacar la carne hasta que quede aplanada.
4. Agregue la salsa en el centro del lomo de cerdo. Doble los lados y enrolle el lomo de cerdo cuidadosamente (como un panecillo de canela) para distribuir la salsa uniformemente. Con un cordel, ate el lomo de cerdo en ambos extremos y en el medio para asegurarlo.
5. En un tazón, combine el chile en polvo, el azúcar moreno, la paprika ahumada y la canela molida. Mezcle bien. Unte el lomo de cerdo con la miel tibia. Espolvoree la mezcla sobre todo el lomo.
6. Cuando el cerdo esté completamente cubierto, colóquelo dentro del ahumador. Ahúme el lomo durante 2 ½ a 3 horas o hasta que la temperatura interna del cerdo alcance los 62 °C / 145 °F.
7. Sáquelo del ahumador, córtelo y sírvalo inmediatamente.

POLLO AHUMADO

Rinde 2 - 6 porciones

Sabor sugerido de la viruta de madera: Nogal / Manzano / Competencia

Ingredientes:

- 1 Pollo entero
1,8-2,7 kg / 4-6 libras
- 45 ml / 3 C. Sazonador o aliño

Instrucciones:

- 1. Precaliente el ahumador, luego ajústelo a 107-135 °C / 225-275 °F.**
- Saque las piezas de pollo del paquete, lávelas minuciosamente y colóquelas en una toalla de papel para que sequen.
- Espolvoree con sazónador o aliño en ambos lados de las partes del pollo.
- Coloque el pollo en el ahumador con la pechuga hacia arriba. Después de 30 minutos, voltee el pollo. Revise la temperatura interna con el sensor para carne presionando el sonda de parilla en la carne más cercana al hueso. Cuando la temperatura interna alcance 82 °C / 180 °F, el pollo está listo.

CONSEJO: puede untar su salsa BBQ favorita sobre el pollo durante los últimos 15 minutos de su proceso de cocción para calentarlo.

- Usando pinzas, retire cuidadosamente el pollo del ahumador. Deje descansar por cinco minutos. Corte el pollo y sírvalo.

Variación: MARINADO CON SABOR EN UNA BANDEJA DE AGUA

Use las mismas instrucciones anteriores, pero sustituya la mitad del agua en la bandeja de agua con una lata de su soda de cola no dietética favorita, jugo de fruta o agua con sazónador adicional.

SALCHICHA AHUMADA CON CHUTNEY DE MANGO

Rinde 4 - 6 porciones

Sabor sugerido de la viruta de madera: Nogal / Manzano / Competencia

Ingredientes:

- 0,9 kg / 2 libras Salchicha italiana (picante o suave)
- 2 Mangos enteros (picados finamente)
- 10 ml / 2 c. Perejil fresco (molido)
- 15 ml / 1 C. Pimiento rojo (en cubos)
- 10 ml / 2 c. Miel
- ½ Cebolla roja (en cubos)
- ½ bulbo Hinojo (en cubos)
- 5 ml / 1 c. Jugo de lima
- Pizca Sal

Instrucciones:

- 1. Precaliente el ahumador, luego bájalo a 82-107 °C / 180-225 °F.**
- Coloque las salchichas en las parrillas de cocción, separadas equitativamente. Ahúmelo durante 25-30 minutos hasta que esté cocido.
- Combine los demás ingredientes para preparar el chutney. Enfríe hasta que esté listo para servir.
- Retire las salchichas del ahumador. Corte las salchichas en diagonal y sírvalas acompañadas del chutney.

PAVO AHUMADO ENTERO

Rinde para un pequeño ejército - ¡las sobras son excelentes!

Sabor sugerido de la viruta de madera: Nogal / Cerezo / Competencia

Ingredientes:

- 1 Pavo entero (descongelado)
9-11,3 kg / 20-25 libras
- 60 ml / 4 C. Sazonador o aliño
- 5 ml / 1 c. Paprika ahumada
- 45 ml / 3 C. Mantequilla

Instrucciones:

- 1. Precaliente el ahumador, luego ajústelo a 135-177 °C / 275-350 °F.**
- Saque el pescuezo y los menudos del pavo. Enjuague el pavo abundantemente y seque la parte exterior dando golpecitos con toallas de papel.
- En un tazón pequeño mezcle la mantequilla, ¼ parte del sazónador y la paprika para formar una pasta. Inserte cuidadosamente su mano entre la piel exterior y la carne de la pechuga. Unte la pasta en la carne.
- Con el sazónador restante, aliñe la superficie exterior del pavo.
- Coloque el pavo, con la pechuga hacia arriba, en el centro del ahumador y ahúmelo hasta que esté tierno y dorado; la temperatura interna debe llegar a 82 °C / 180 °F en la parte más gruesa del muslo y a 77 °C / 170 °F en la pechuga.
- Saque el pavo, cúbralo con papel aluminio y déjelo reposar por 10 minutos antes de cortarlo.

Cómo hacer: SALSAS DE PAVO

Si quiere usar los jugos para hacer una salsa, coloque el pavo en una parrilla dentro de una bandeja de papel aluminio grande. Añada 0,6 cm / ¼ pulg. de agua o caldo y algo de sazónador en el fondo de la bandeja. Vigile los jugos, ya que quizá necesite añadir más durante el período de cocción.

IMPORTANT

DO NOT RETURN PRODUCT TO STORE

FOR ALL QUESTIONS, COMMENTS, OR INQUIRIES, PLEASE CONTACT DANSONS DIRECTLY.

USA: (480) 923-9630 | CANADA (TOLL FREE): 1-877-942-2246

IMPORTANT

NE RETOURNEZ PAS LE PRODUIT AU MAGASIN

POUR TOUTE QUESTION, COMMENTAIRE OU DEMANDE DE RENSEIGNEMENTS,

VEUILLEZ COMMUNIQUER AVEC DANSONS DIRECTEMENT.


ÉTATS-UNIS : (480) 923-9630 | CANADA (SANS FRAIS) : 1-877-942-2246


¡IMPORTANTE!


NO DEVUELVA EL PRODUCTO A LA TIENDA

PARA EL PREGUNTAS, COMENTARIOS O CONSULTAS, POR FAVOR CONTACTAR DANSONS DIRECTAMENTE.

EE.UU : (480) 923-9630 | CANADA (GRATUITA) : 1-877-942-2246

 **WARNING:** this product can expose you to chemicals including wood dust, which is known to the state of California to cause cancer. Combustion of this product can expose you to chemicals including carbon monoxide, which is known to the state of California to cause birth defects or other reproductive harm. For more information go to WWW.P65WARNINGS.CA.GOV

 **AVERTISSEMENT :** ce produit peut vous exposer à des produits chimiques incluant la poussière de bois, connue par l'état de Californie pour causer le cancer. La combustion de ce produit peut vous exposer à des produits chimiques incluant le monoxyde de carbone, connu par l'état de la Californie comme causant des anomalies congénitales ou autres effets nocifs sur la reproduction. Pour accéder à d'autres informations, rendez-vous à WWW.P65WARNINGS.CA.GOV

 **ADVERTENCIA:** este producto este producto puede exponerlo a productos químicos incluyendo polvo de madera, que el estado de California sabe que provocan cáncer. La combustión del este producto puede exponerlo a productos químicos incluyendo al monóxido de carbono, que el estado de California sabe que causa defectos congénitos y otros daños reproductivos. Para obtener más información, visite WWW.P65WARNINGS.CA.GOV



780210219UMV

PITBOSS-GRILLS.COM

MADE IN CHINA | FABRIQUÉ EN CHINE | HECHO EN CHINA

