

This Owner's Manual is provided and hosted by [Appliance Factory Parts](#).



Weber 1500165 Owner's Manual

[Shop genuine replacement parts for Weber 1500165](#)



[Find Your Weber Grill Parts - Select From 3233 Models](#)

----- Manual continues below part list -----

Available Replacement Parts for Weber 1500165

62423	CHAR BASKET ASSY BB
63027	THERMOMETER BEZEL CHAR/SMC 18IN/47CM BB
63048	HANDLE LID DAMPER MOLDED BLK BB
90993	CLEANING KIT 22IN/57CM ONE TOUCH 2012 BB
63070	DAMPER KIT CHAR 2010 BB
8835	WEBER ORIG GOURMET BBQ SYS HINGED GRATE
65147	LID MASTER TOUCH 22IN BLK 2015 BB
80557	HANDLE KIT W/HOOKS ONE TCH CHAR 2013 BB
65144	WHEEL TREAD W/INSERT 8IN 2015 BB
7581	THERMOMETER Q 220/300 SPIRIT/CHAR BB
65133	KIT LEGS LONG MASTER TOUCH 2015 BB

MASTER-TOUCH

22in
57cm

ASSEMBLY GUIDE
GUÍA DE MONTAJE
GUIDE DE MONTAGE



Read the owner's guide before using the grill.

Lea la guía del propietario antes de usar la parrilla.

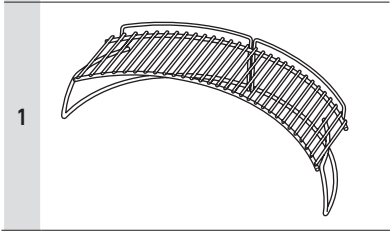
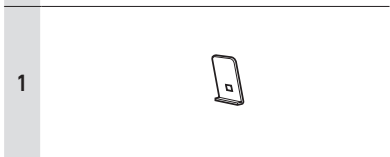
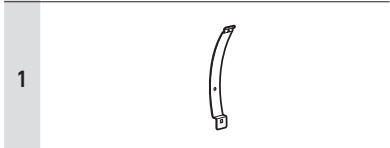
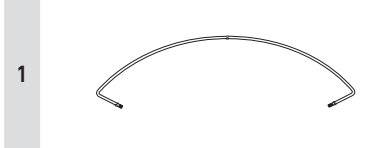
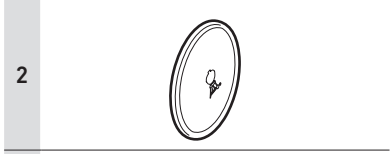
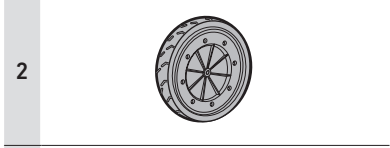
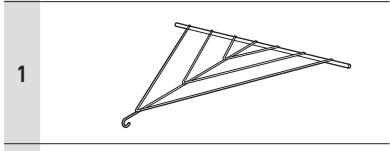
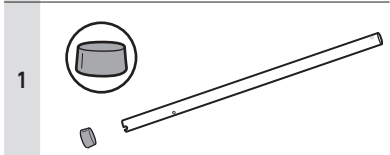
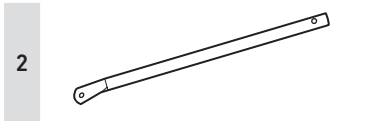
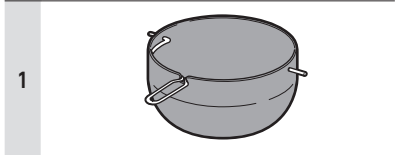
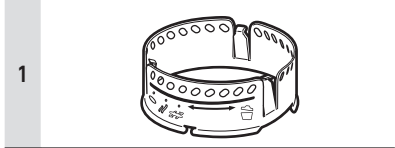
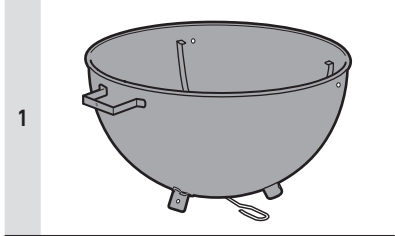
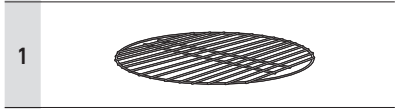
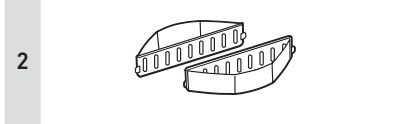
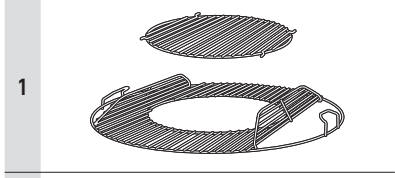
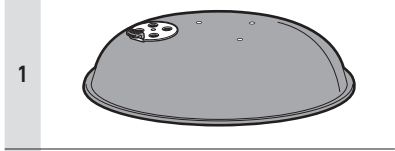
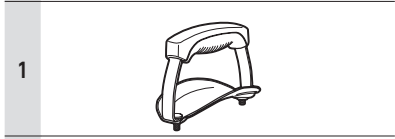
Lisez le guide du propriétaire avant d'utiliser le grill.



56397

04/28/22

US / esMX / frCA



US TOOLS INCLUDED:

esMX HERRAMIENTAS INCLUIDAS:

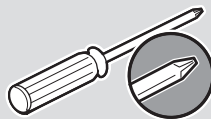
frCA OUTILS INCLUS :



US TOOLS REQUIRED:

esMX HERRAMIENTAS NECESARIAS:

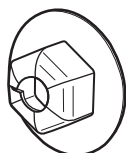
frCA OUTILS NÉCESSAIRES:



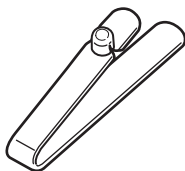
2



2



3



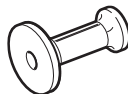
3



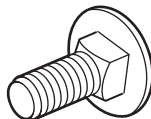
7



2



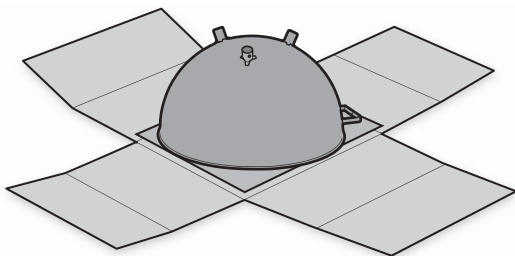
1



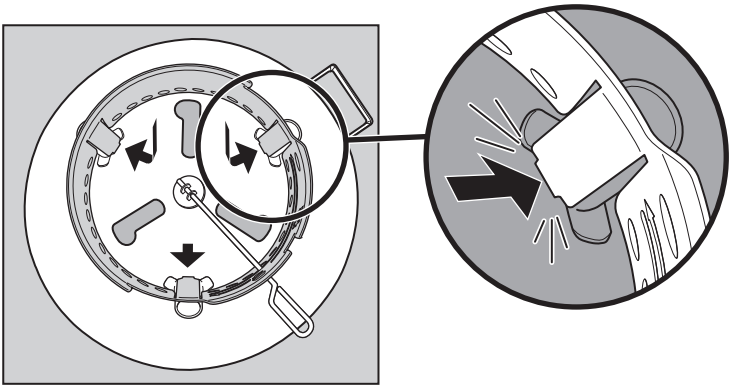
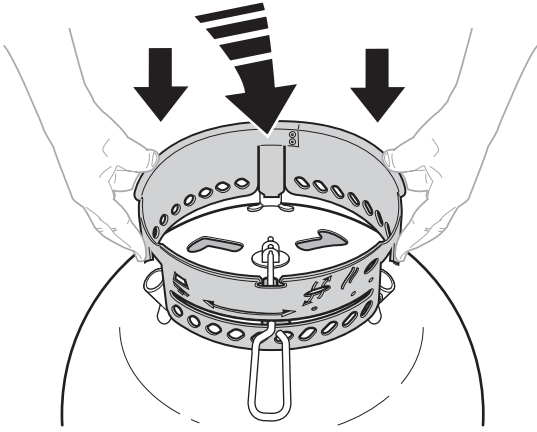
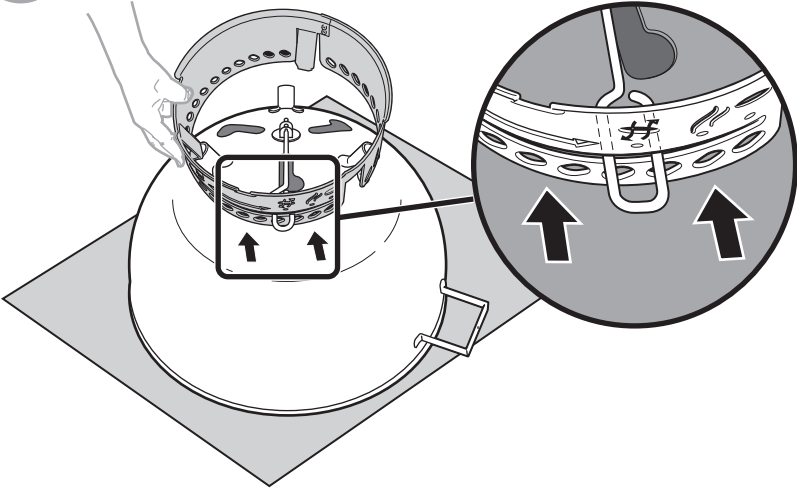
US ⚠ Assemble grill on a flat, level, and soft surface.

esMX ⚠ Arme el asador sobre una superficie llana, nivelada y lisa.

frCA ⚠ Assemblez le barbecue sur une surface plane, à niveau et souple.

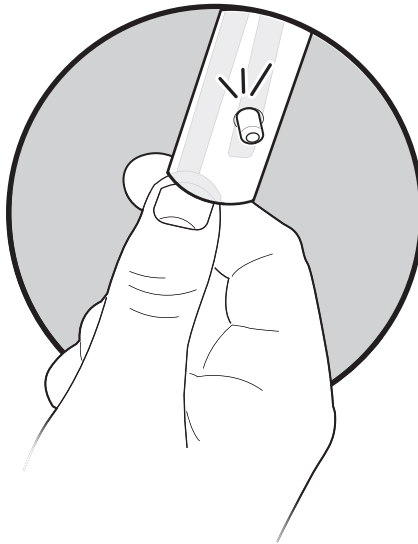
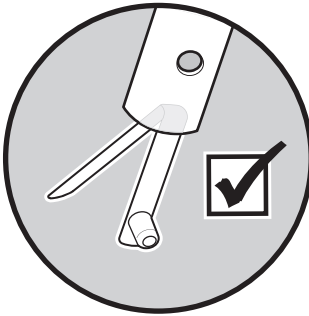
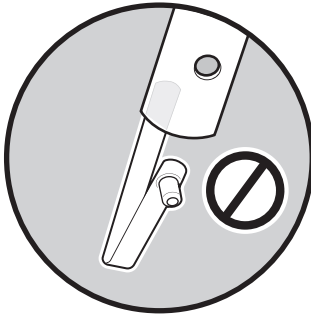
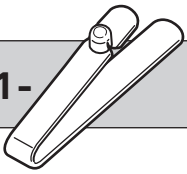


1

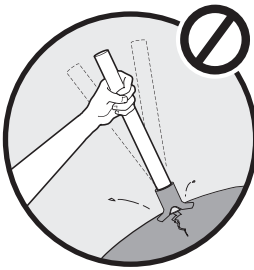
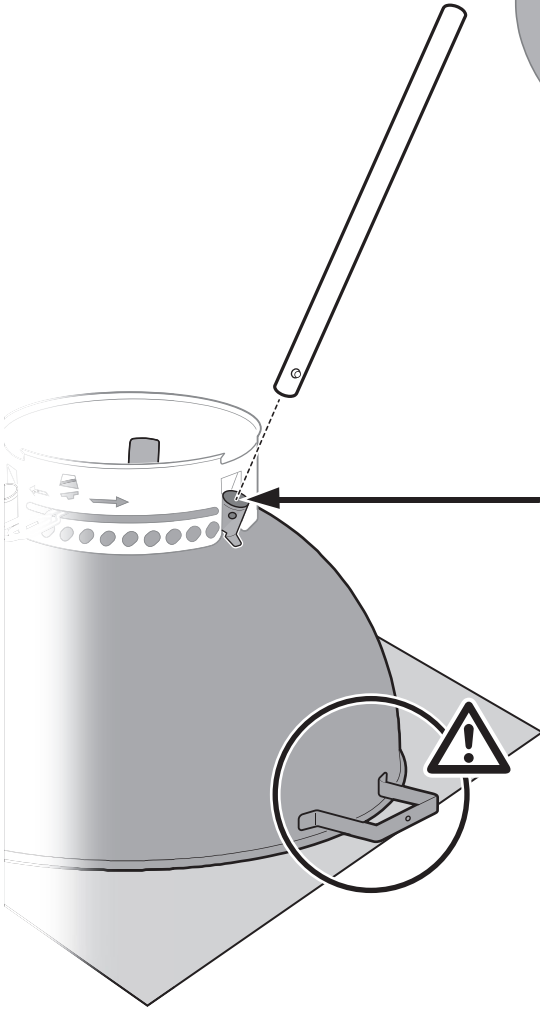
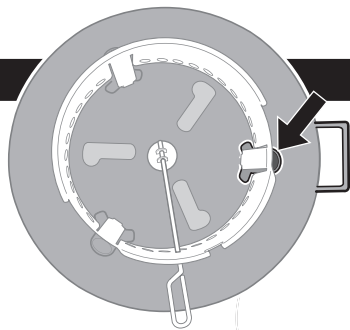


2

1-

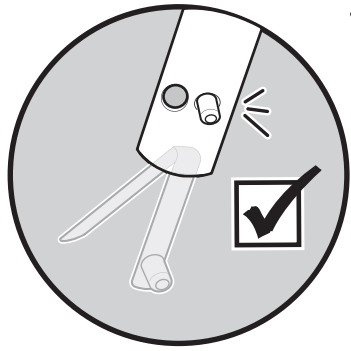
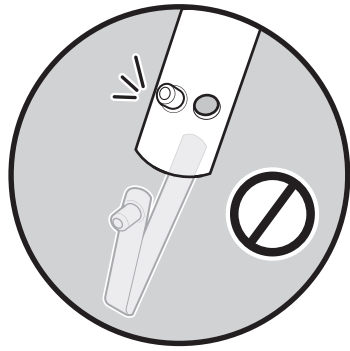
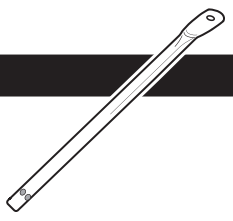
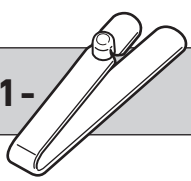


3

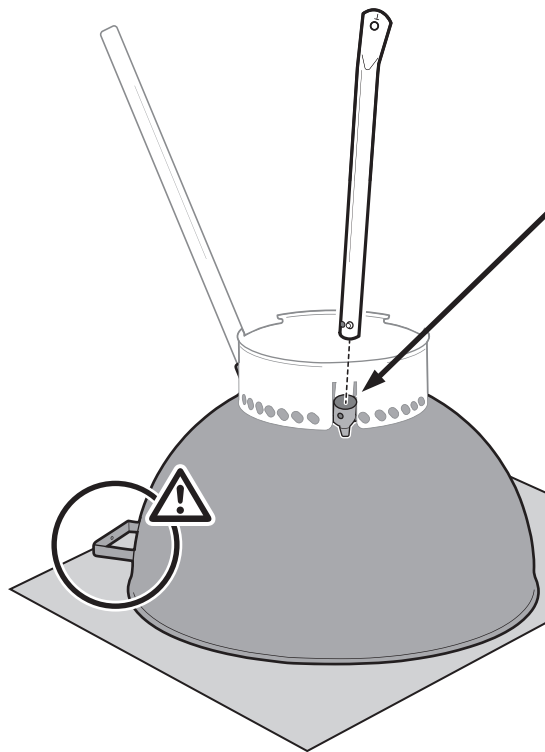


4

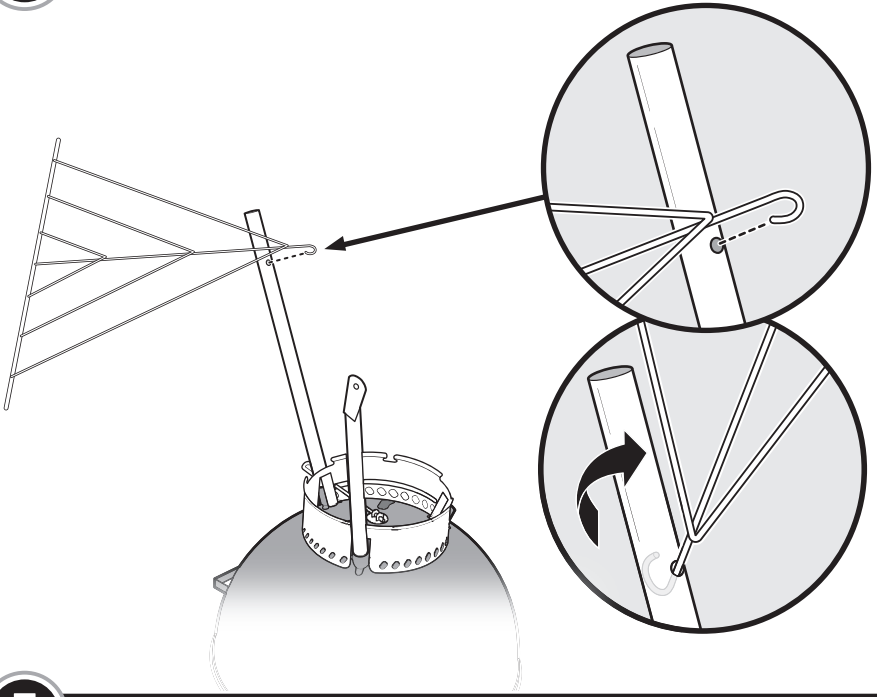
1-



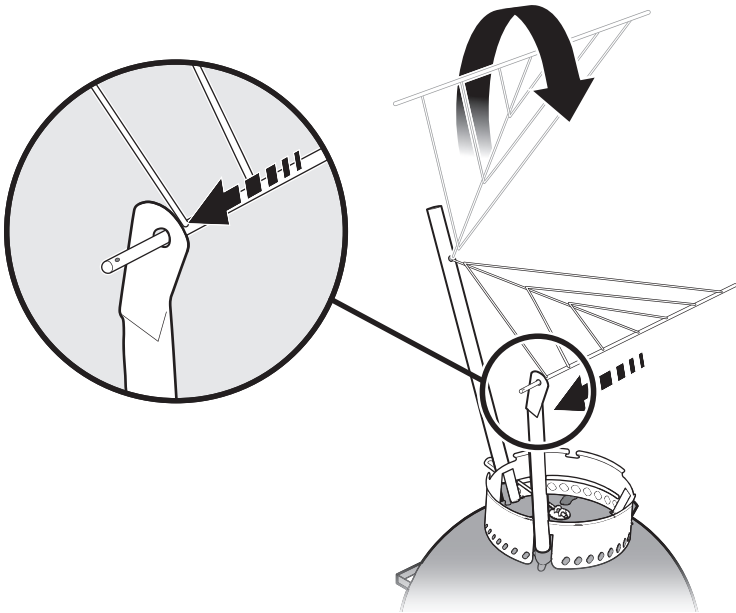
5



6

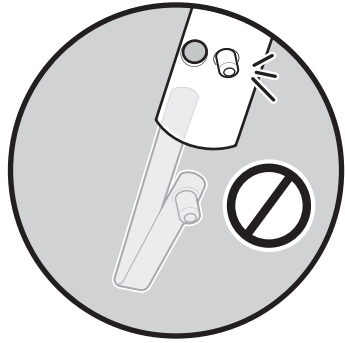
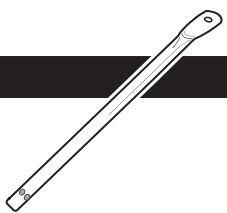
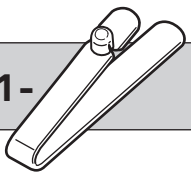


7

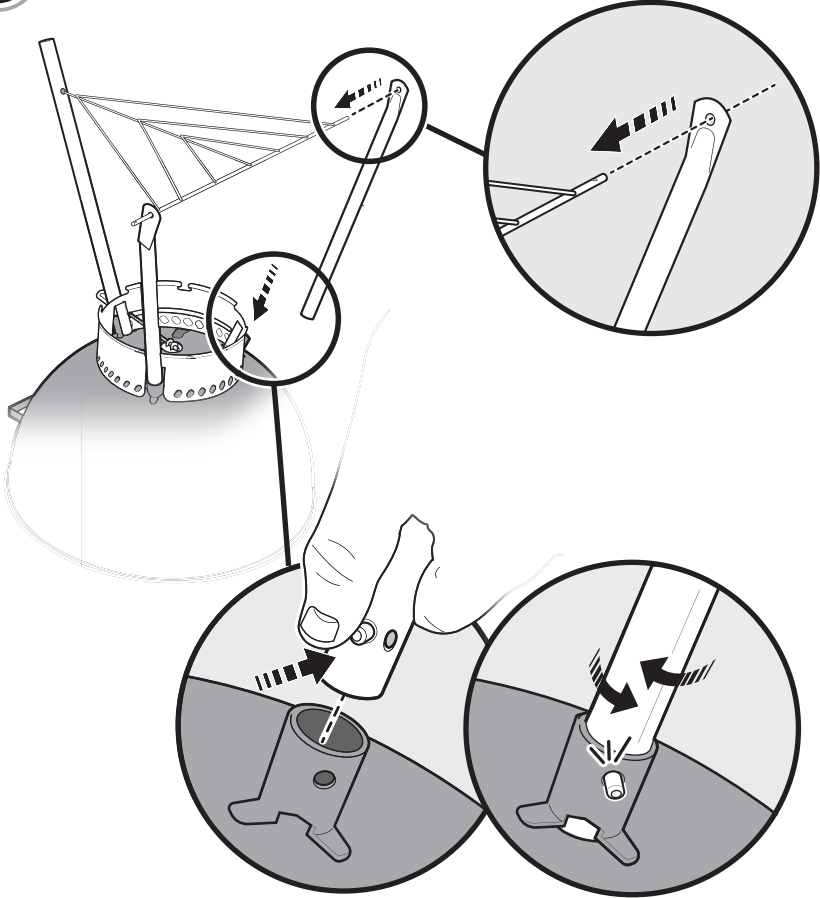


8



1-



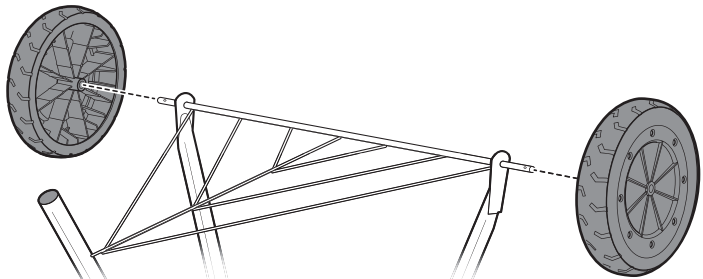
9



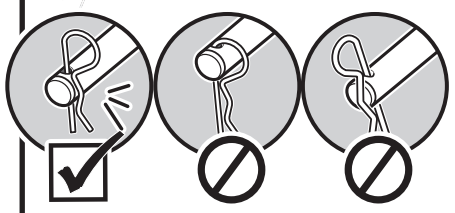
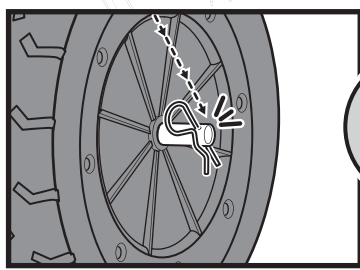
10

2-  2- 

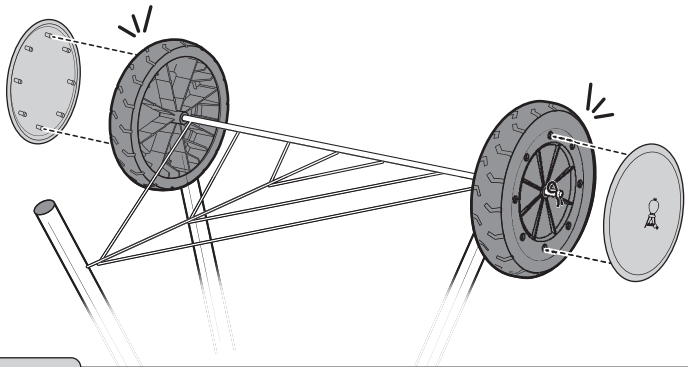
a.



b.

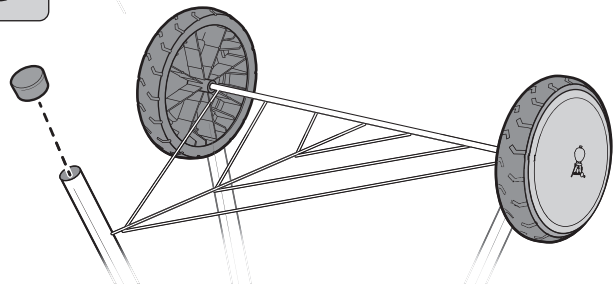


c.

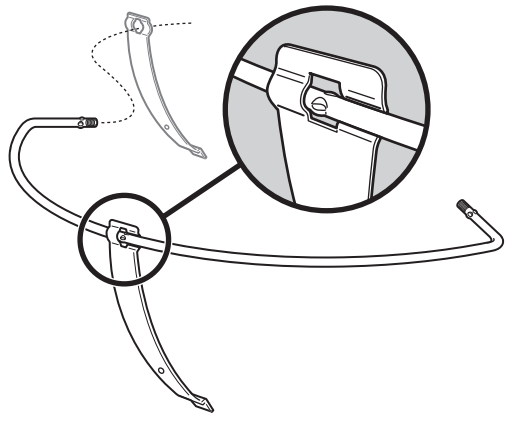
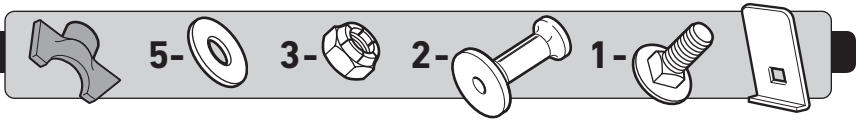


11

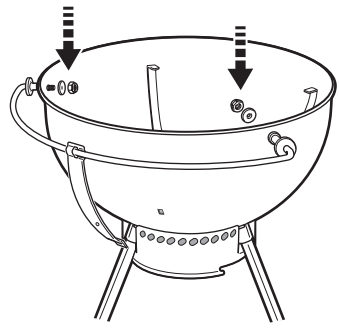
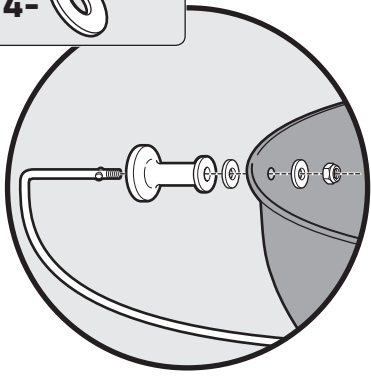
1- 



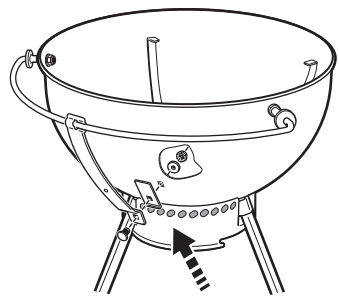
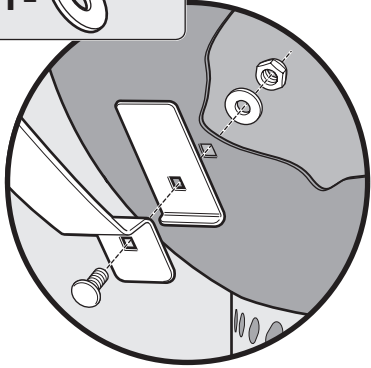
12

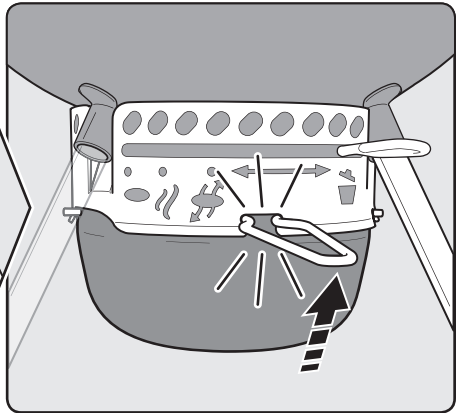
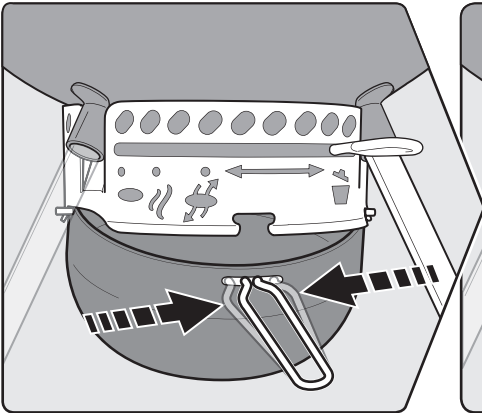
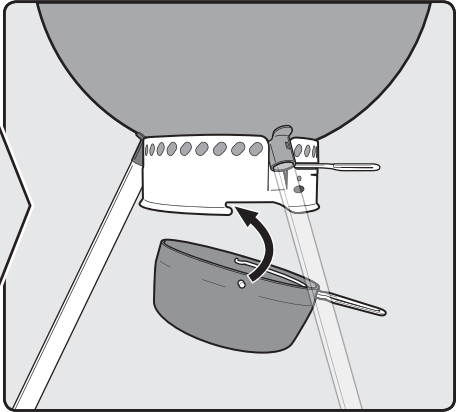
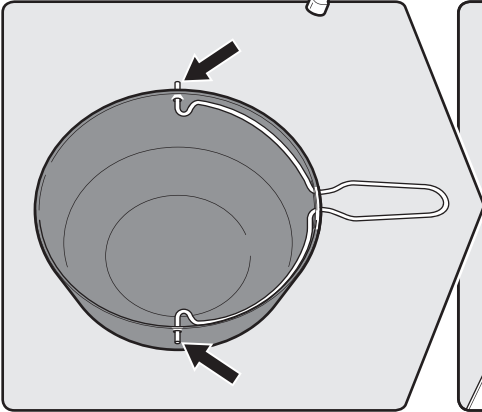
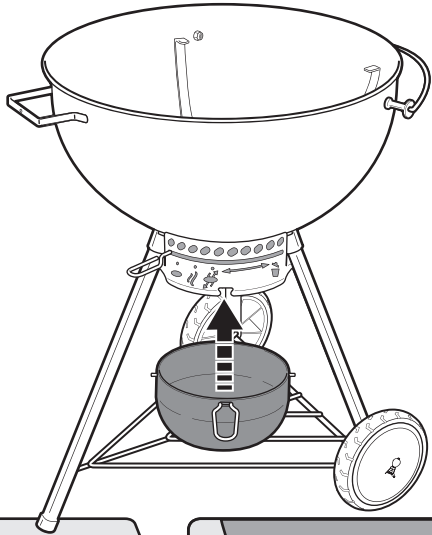


4-

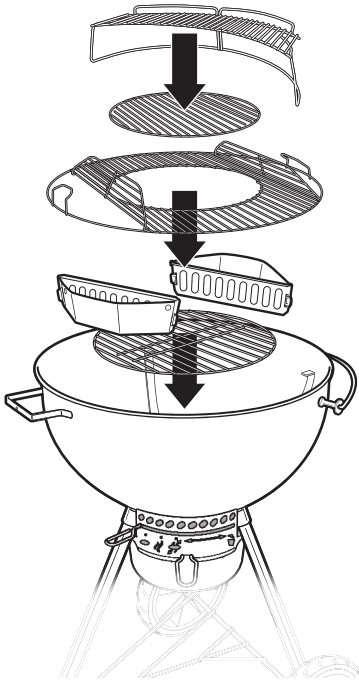


1-

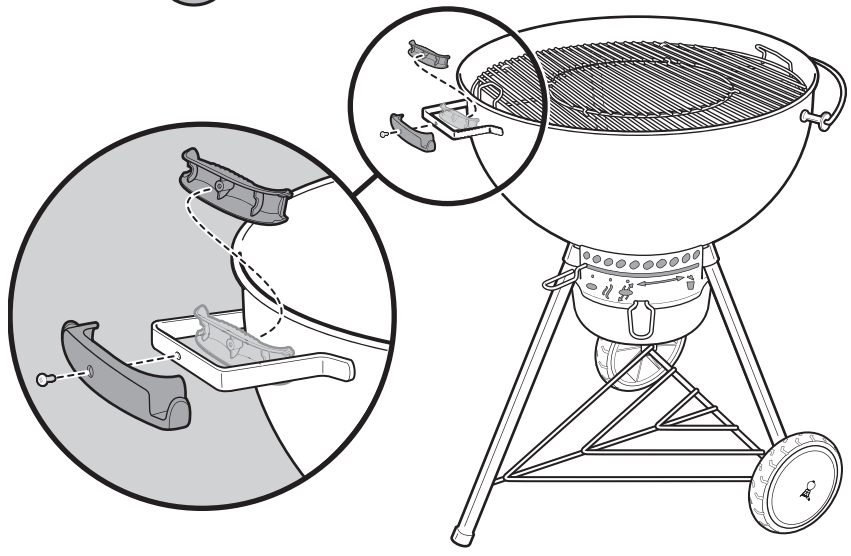
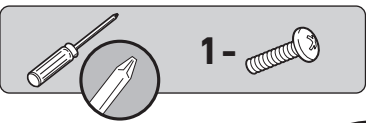




14



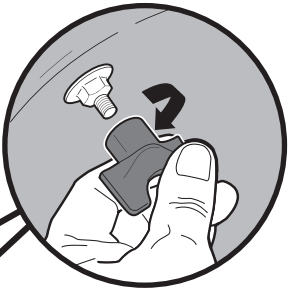
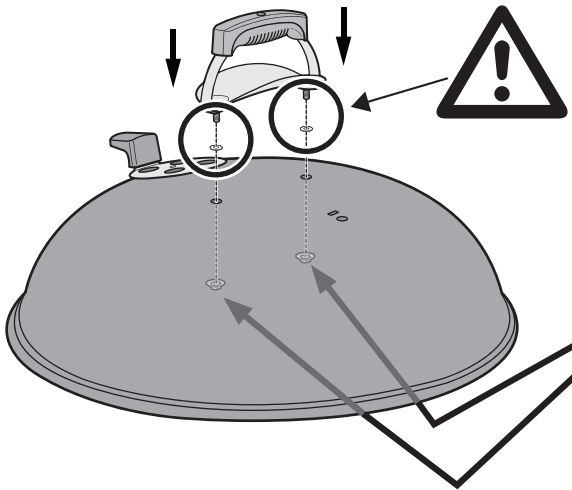
15



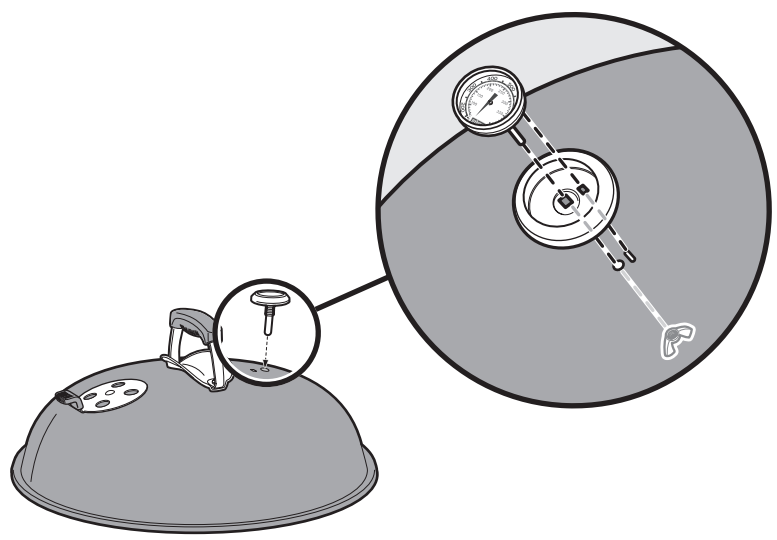
16

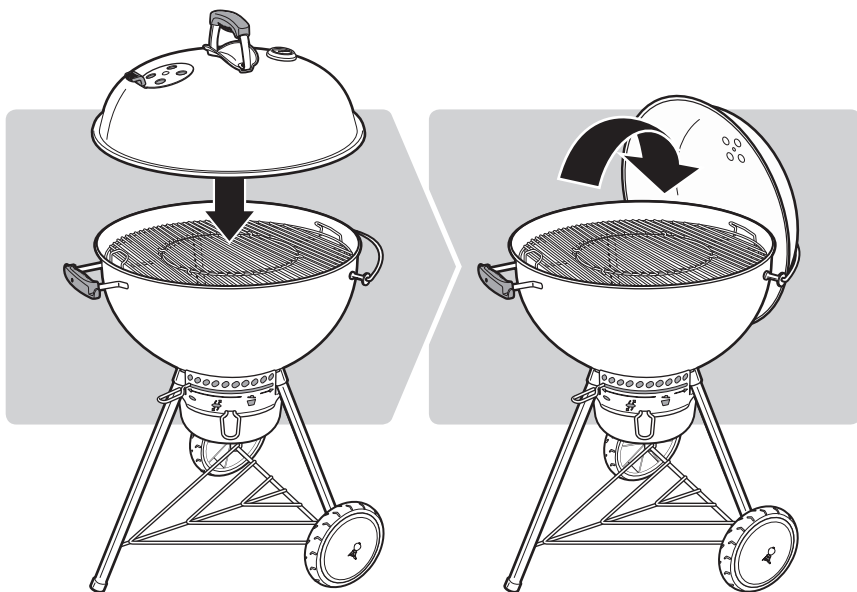


US ⚠ DO NOT OVER TIGHTEN.
esMX ⚠ NO APRIETE.
frCA ⚠ NE PAS TROP SERRER.



17





- US** Make sure that all parts are assembled and hardware is fully tightened before operating the grill.
- ES/MS** Asegúrese que todas las partes estén bien montadas y que apretó totalmente todos los herrajes antes de poner en funcionamiento el asador.
- FR/CA** Veuillez à ce que toutes les pièces soient montées et que la visserie est bien serrée avant d'utiliser le barbecue.



Weber-Stephen Products LLC
www.weber.com