

This Owner's Manual is provided and hosted by [Appliance Factory Parts](#).



# Dacor IVSR2 Owner's Manual

[Shop genuine replacement parts for Dacor IVSR2](#)

[Find Your Dacor Range Hoods Parts - Select From 1 Models](#)

----- Manual continues below part list -----

## Available Replacement Parts for Dacor IVSR2

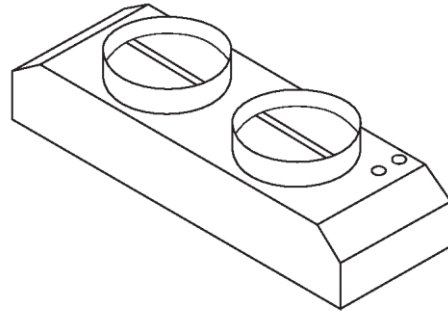
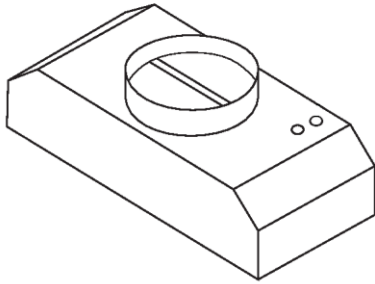
[72263](#)

Filter,power Pack Do AFTERMARKET

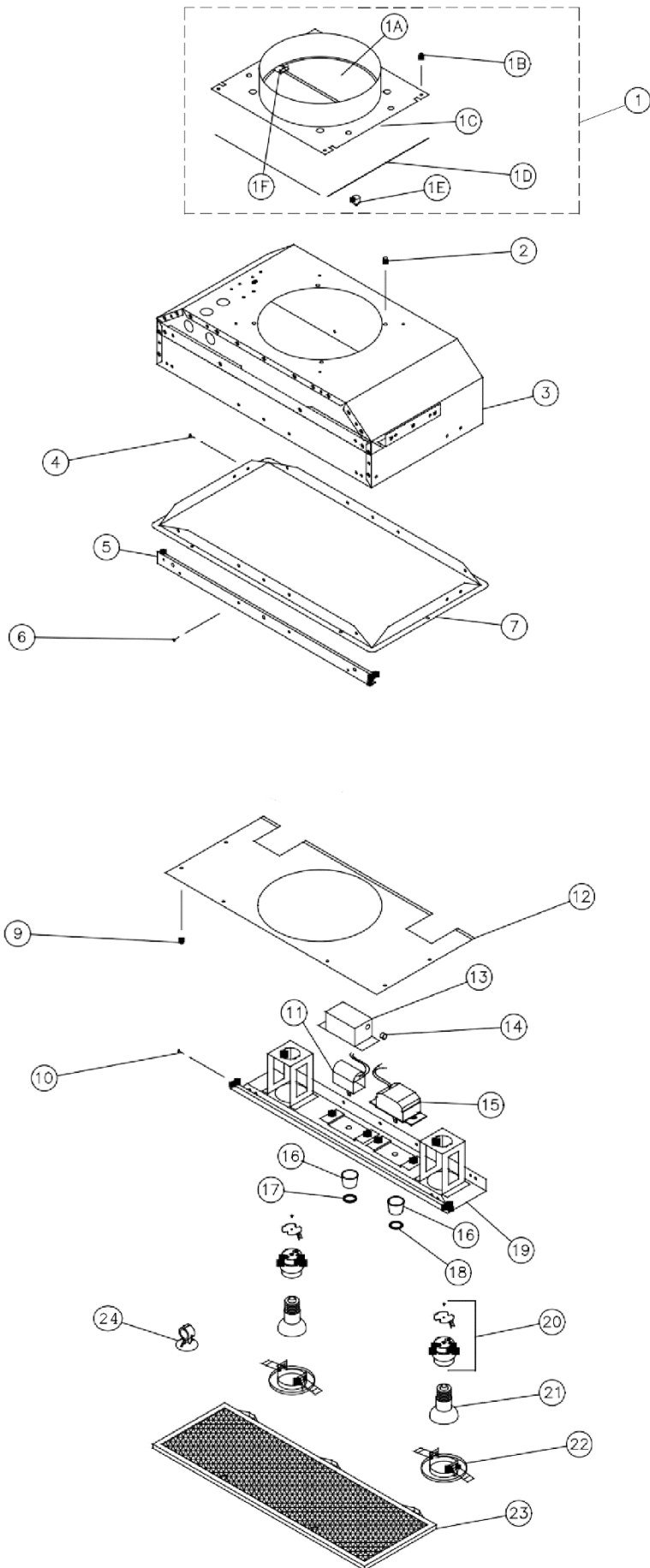
# ***dacor***

LET THE SHOW BEGIN

## **IVSR1 / IVSR2**



# IVSR1 - Single Power Pack



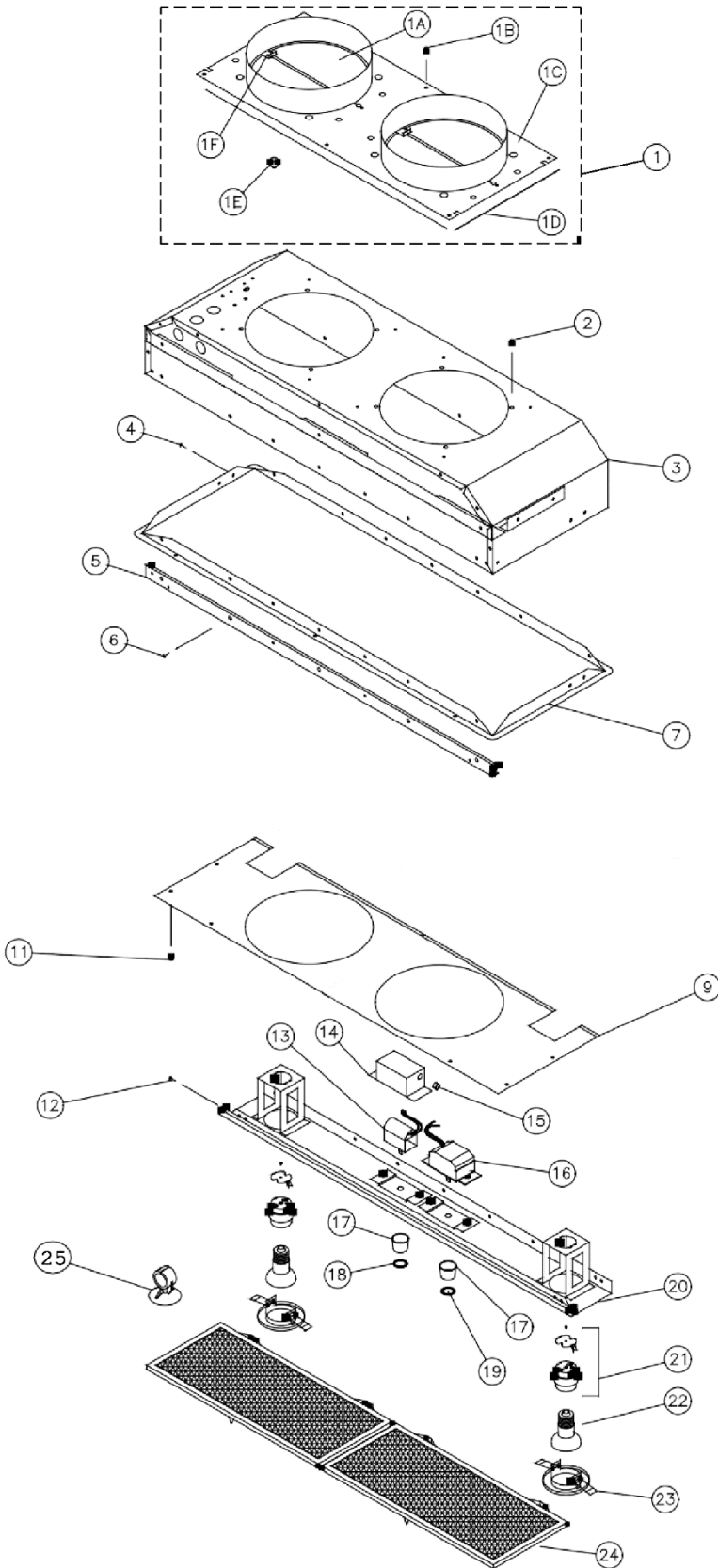
Ref #	Part #	Description
1	13482	Asy, Collar Outlet
1A	101613	Plate Damper 8" DIA Out
1B	83534	Screw, Phil Wfr, #8 x 3/8"
1C	27675	Weld, Collar Outlet
1D	81132	Tape, Foam, Single Side
1E	83578	Rubber Bumper
1F	83145	Shrink Tubing 3/16" ID
2	83530	Screw, Phil Pan, #4-40x5/8
3	13557	Asy, Canopy Box
4	83534	Screw, Phil Wfr, #8 x 3/8"
5	38207	Weld, Rear Filter Brkt.
6	83534	Screw, Phil Wfr, #8 x 3/8"
7	36551	Front Frame. IVSR1
9	83534	Screw, Wfr HD, #8 x 3/8"
10	83534	Screw, Phil Wfr, #8 x 3/8"
11	62753	Lamp Dimmer
12	38150	Canopy Front
13	36631	Cover, Light Switch
14	83056	Bushing Heyco SB-875-11
15	72757	Fan Speed Control, 8 Amp
16	62770	Knob, Cap, Black
17	36511	Light Dimmer, Cap, Black
18	36100	Fan Icon, Cap, Black
19	13505	Asy, Liner, IVSR1
20	62349	Lamp Holder, Leviton
21	92348	Lamp, Halogen, 75w
22	62352	Trim, Lamp
23	72029	Filter, 20.875 x 7.09
24	62408	Suction Cap, Lamp
-	83048	Nut, Hex Keps, #8-32
-	72684	Wire Harness, Power (Not Shown)

## Additional Requirements for Model IVSR1

Model IVSR1 are not equipped with an internal blower. Installation of an in-line or remote blower is required. See the table below for the correct model number

DUCT WORK SIZE	IN-LINE BLOWER MODEL	REMOTE BLOWER MODEL
8 inch	ILHSF8	REMP3
10 inch	ILHSF10	REMP16

# IVSR2 - Double Power Pack



Ref #	Part #	Description
1	13489	Asy, Collar Outlet
1A	101613	Plate Damper 8" DIA Out
1B	83534	Screw, Phil Wfr, #8 x 3/8"
1C	27682	Weld, Collar Outlet
1D	81132	Tape, Foam, Single Side
1E	83578	Rubber Bumper
1F	83145	Shrink Tubing 3/16" ID
2	83530	Screw, Phil Pan, #4-40x5/8
3	13557	Asy, Canopy Box
4	83534	Screw, Phil Wfr, #8 x 3/8"
5	38207	Weld, Rear Filter Brkt.
6	83534	Screw, Phil Wfr, #8 x 3/8"
7	36551	Front Frame. IVSR1
9	36686	Grime Shield
11	83534	Screw, Wfr HD, #8 x 3/8"
12	83263	Screw, Phil Wfr, #8 x 3/8"
13	72756	Lamp Dimmer
14	36631	Cover, Light Switch
15	83056	Bushing Heyco SB-875-11
16	72757	Fan Speed Control, 8 Amp
17	83427	Knob, Cap, Black
18	36511	Light Dimmer, Cap, Black
19	36100	Fan Icon, Cap, Black
20	13506	Asy, Liner, IVSR2
21	62349	Lamp Holder, Leviton
22	92348	Lamp, Halogen, 75w
23	62352	Trim, Lamp
24	72263	Filter, 16.376 x 7.090
25	62408	Suction Cap, Lamp
-	83048	Nut, HEX KEPS, #8-32
-	72683	Wire Harness, Power (Not Shown)

## Additional Requirements for Model IVSR2

Model IVSR2 are not equipped with an internal blower. Installation of an in-line or remote blower is required. See the table below for the correct model number.

DUCT WORK SIZE	IN-LINE BLOWER MODEL	REMOTE BLOWER MODEL
8 inch	ILHSF8	REMP3
10 inch	ILHSF10	REMP16