

This Owner's Manual is provided and hosted by [Appliance Factory Parts](#).



MIDEA MLEM45PITBS Owner's Manual

[Shop genuine replacement parts for MIDEA
MLEM45PITBS](#)



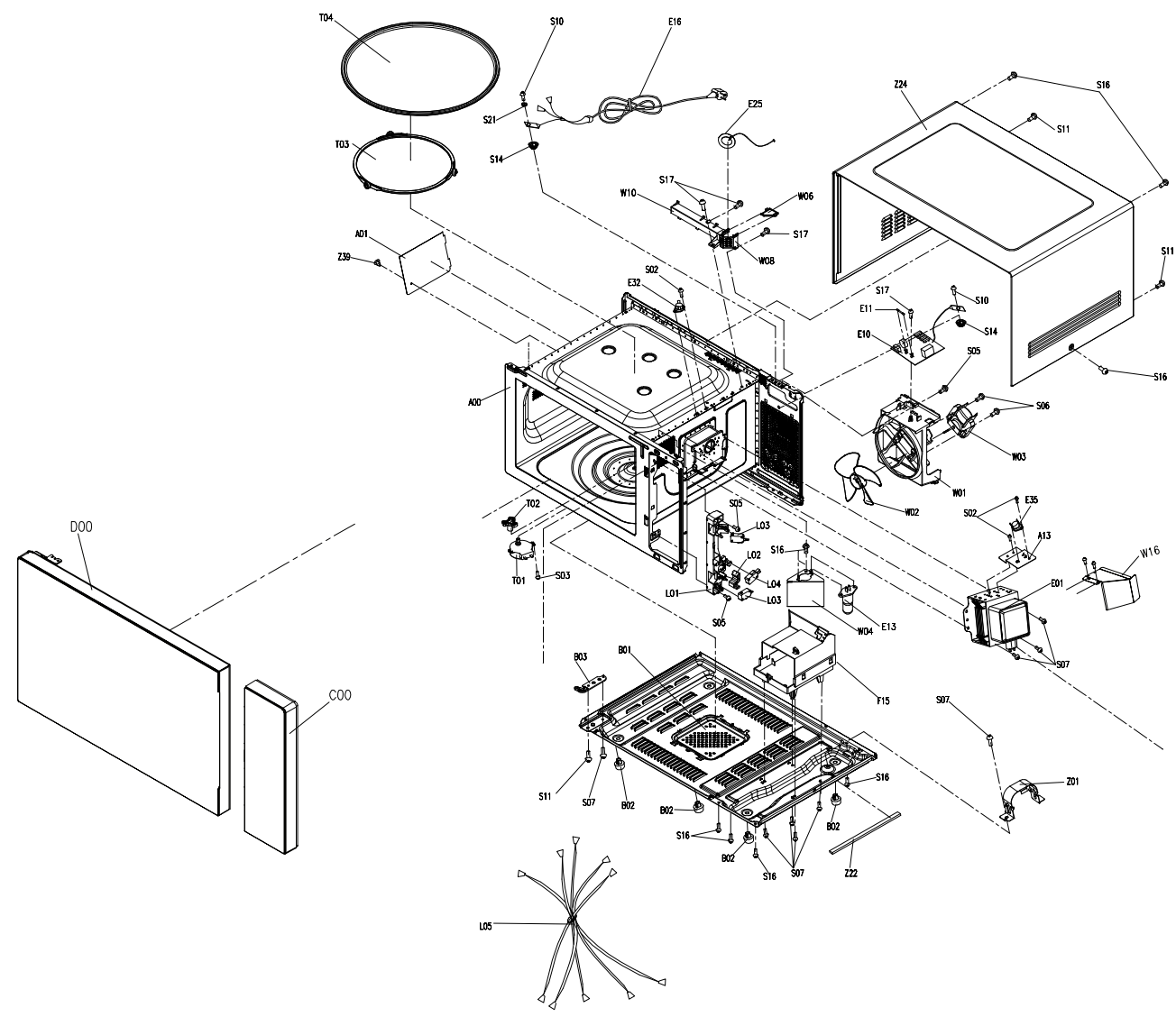
[Find Your MIDEA Microwave Parts - Select From 116 Models](#)

----- Manual continues below part list -----

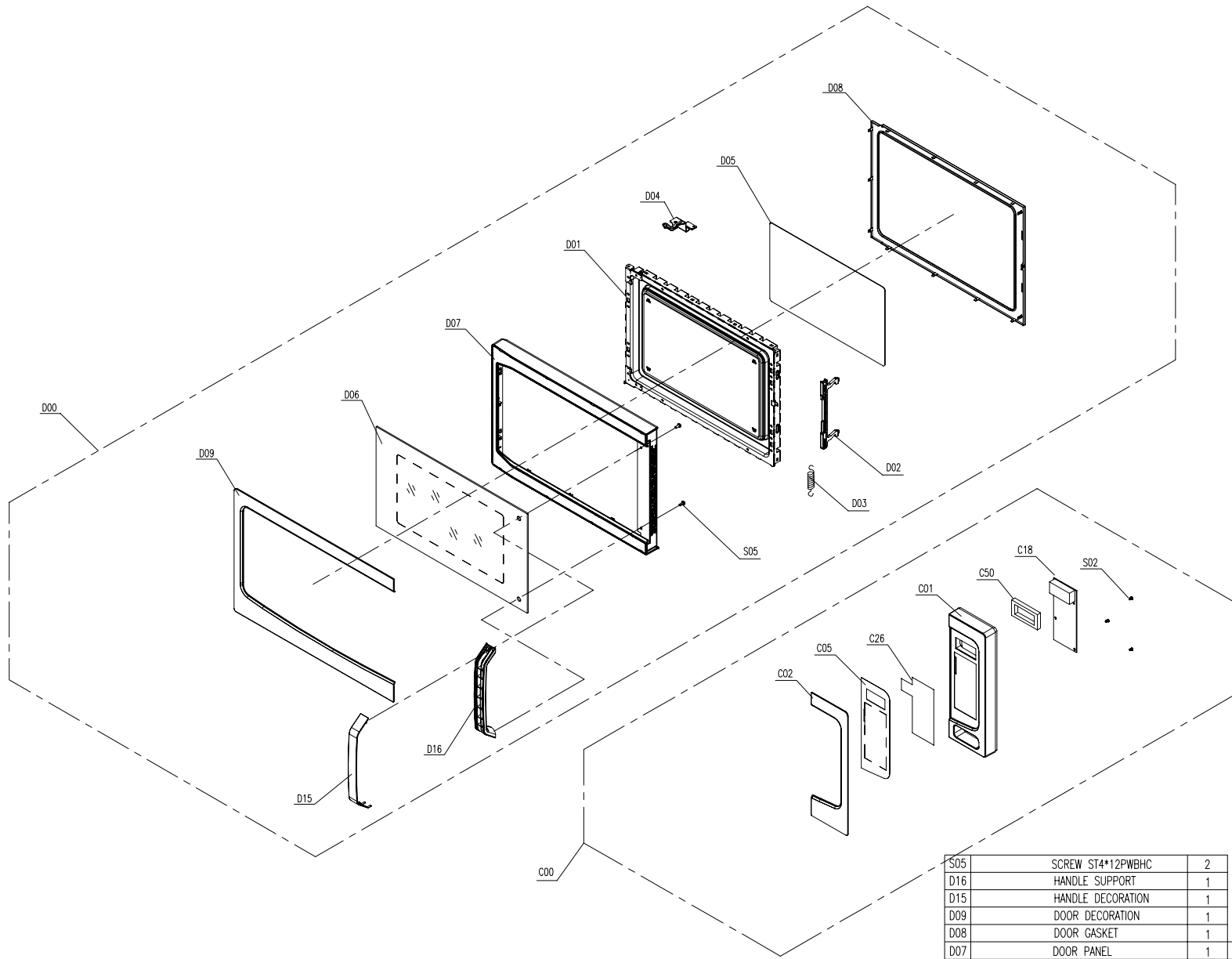
Available Replacement Parts for MIDEA MLEM45PITBS

12170000016263	Handle
12170000000192	Foot
17470000008423	Microswitch Interlock
17470000008424	Microswitch Monitor
12170000004310	Roller Guide
12570000001005	Turntable Tray
12570000A25978	Glass Door Screen

A
B
C
D
E
F
G
H
J
K
L
M



W16	488888	DAMPER For MGT	1		
D00	#1	DOOR	1		
C00	888888	CONTROL PANEL ASS'Y	1		
Z39	#1	PLASTIC NAIL	1		
Z24	#1	CASE OUT	1		
Z22	#1	SPONGE	1		
Z01	888888	HOLDER H.V.C	1		
W10	888888	AIR GUIDE 1	1		
W08	888888	AIR GUIDE 2	1		
W05	888888	DAMPER	1		
W04	888888	GUIDE WIND	1		
W03	888888	MOTOR FAN	1		
W02	#1	FAN	1		
W01	888888	GUIDE FAN	1		
T04	#1	TRAY	1		
T03	888888	RING ROTATING ASS'Y	1		
T02	#1	COUPLER	1		
T01	888888	MOTOR TRAY	1		
S21	#1	SPRING WASHER #4.1	1		
S17	888888	SCREW ST3*10PWHC	4		
S16	888888	SCREW ST4*10TD8	8		
S14	888888	NUT M4	2		
S11	888888	SCREW CT4*10TBHC	4		
S10	888888	SCREW ST4*10TB	2		
S07	888888	SCREW CT4*8TBHC	10		
S06	888888	SCREW ST4*20TBHC	2		
S05	888888	SCREW ST4*12PWHC	4		
S03	888888	SCREW ST4*8PBHC	3		
S02	888888	SCREW ST3*8PBHC	3		
P34	#1	BRAND	1		
L05	#1	HARNES MAM	1		
L04	888888	MICROSWTICH MONITOR	1		
L03	888888	MICROSWTICH INTERLOCK	2		
L02	888888	LEVER SWITCH	1		
L01	888888	BOARD LATCH	1		
F15	888888	ASS'Y INVERTER	1		
E35	160/95 #1	THERMOSTAT 160/95 #V	1		
E32	120/0 #1	THERMOSTAT 120/0 #H	1		
E25	888888	Sensor Humidity	1		
E16	888888	POWER CORD ASS'Y	1		
E13	#1	LAMP	1		
E11	#1	FUSE	1		
E10	#1	FILTER NOSE	1		
E05	888888	H.V.TRANSFORMER	1		
E01	#1	MAGNETRON	1		
B03	888888	ASS'Y BRKT HINGE #U	1		
B02	#1	LEG	4		
B01	#1	BASE PLATE	1		
A13	888888	BRKT THERMOSTAT	1		
A01	888888	COVER WAVE GUIDE	1		
A00	888888	ASS'Y CAVITY	1		
No.	Part Name	Qty.	Material	Remark	



S05	SCREW ST4*12PWBHC	2			
D16	HANDLE SUPPORT	1			
D15	HANDLE DECORATION	1			
D09	DOOR DECORATION	1			
D08	DOOR GASKET	1			
D07	DOOR PANEL	1	S03	SCREW ST 4*8PBHC	2
D06	DOOR SCREEN	1	C50	SEALING RING	1
D05	DOOR INNER FILM	1	C18	PCB ASS'Y	1
D04	UPPER HINGE	1	C26	SWITCH CIRCUIT	1
D03	LATCH SPRING	1	C05	CONTROL PANEL DECORATION	1
D02	LATCH	1	C02	CONTROL PANEL DECORATION	1
D01	DOOR FRAME ASS'Y	1	C01	CONTROL PANEL	1
D00	DOOR	1	C00	CONTROL PANEL ASS'Y	1
No.	Part Name	Qty.	No.	Part Name	Qty.