

This Owner's Manual is provided and hosted by [Appliance Factory Parts](#).



VIKING VGBQ410-3RSNSS Owner's Manual

[Shop genuine replacement parts for VIKING
VGBQ410-3RSNSS](#)



[Find Your VIKING Grill Parts - Select From 213 Models](#)

----- Manual continues below part list -----

Available Replacement Parts for VIKING VGBQ410-3RSNSS

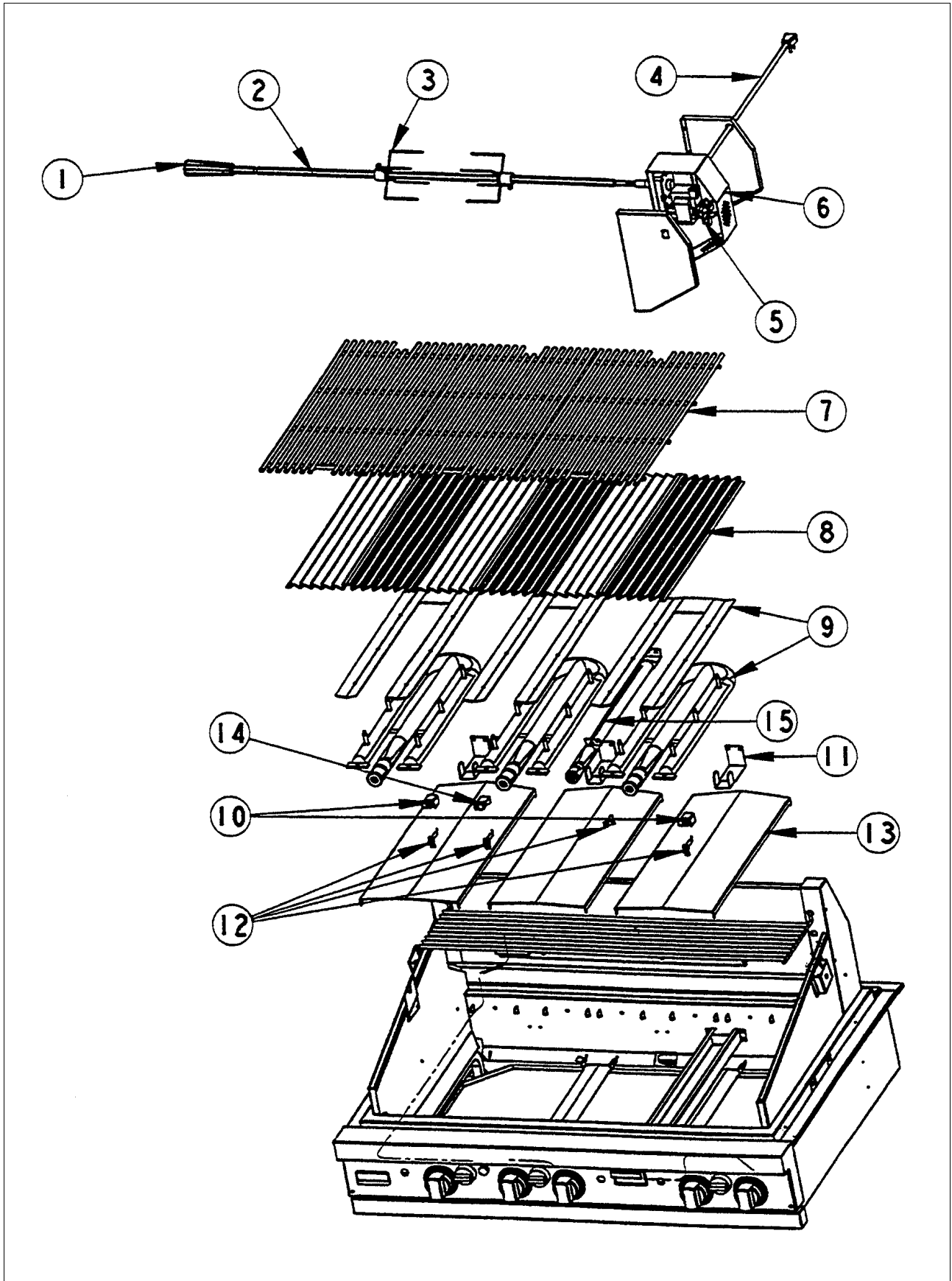
[032881-000](#)

FORK, RTSR

VGBQ4103RS

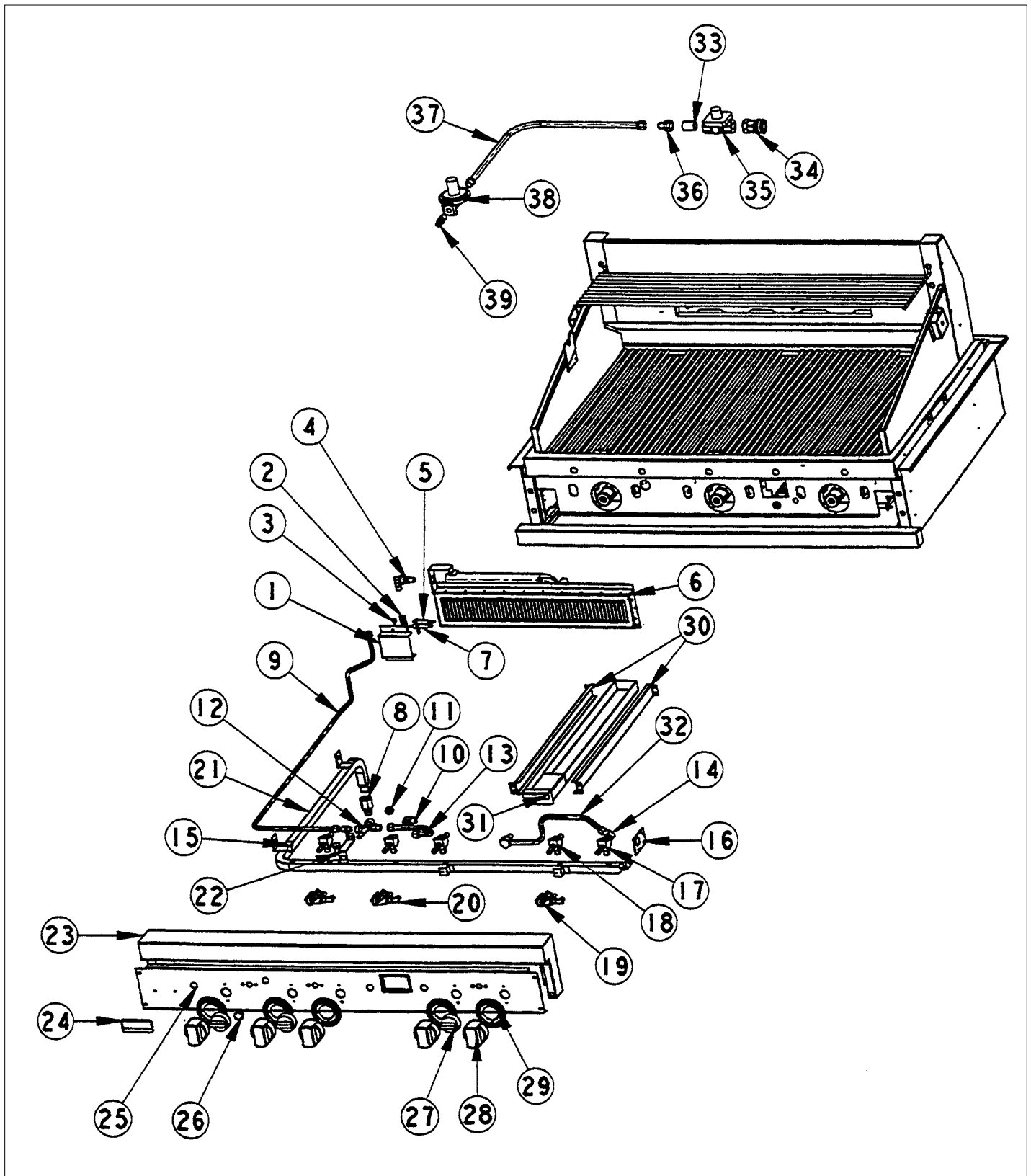
BURNER GRATE ASSEMBLY	1
CONTROL-VALVE ASSY	2
FUNCTIONAL PARTS	3
GRILL SUBASSY	4
Appendix A:Pages Index	A
Appendix B:Parts Index	B

BURNER GRATE ASSEMBLY



Item	Part No.	Name	Qty	Uom	NOTES
1	PE030039	SPIT HANDLE (ROT. BBQ GRILL)		EA	
2	PB060031	SPIT ROD - 53"		EA	NO LONGER AVAILABLE
3	032881-000	FORK, RTSR		EA	
4	PE070189	ELECTRICAL SUPPLY CORD - BBQ GRILL		EA	
5	PE070184	ROTISSERIE MOTOR		EA	
6	G3204910	ROTIS MOTOR REPL G3203346		EA	NO LONGER AVAILABLE
7	PB060049	COOKING GRIDS REPL PB060028		EA	
8	007905-000	FLAVOR GRID (REPLACES B2007409)		EA	
9	G5004548	SS BURNER KIT REP PA080035		EA	
10	B2003273	IGNITOR COVERS RH (VGBQ)		EA	
11	B2004922	REAR BURNER BRACKET (P1 GRILL)		EA	
12	PB040169	IGNITOR FOR (BBQ) GRILL "S" (1783-25)		EA	
13	B2003270	BURNER DRIP SHIELD (VGBQ)		EA	
14	B2003546	IGNITOR COVER LH (VGBQ)		EA	
15	PB050058	PHASE 1 SMOKER BURNER (NO SUPPLIER)		EA	NO LONGER AVAILABLE
#	PD020055	#10 X 1/2" PAN PHIL. TEK.*SS*		EA	
#	PD030050	10-24 CAGE NUT *SS*		EA	
#	PD020062	#8-32 X 3/8 PHMS TYPE 1		EA	
#	000645-000	ENCLOSURE FUEL CATCH - LH		EA	
#	000646-000	ENCLOSURE FUEL CATCH - RH		EA	

CONTROL-VALVE ASSY



Item	Part No.	Name	Qty	Uom	NOTES
1	B2003319	THERMOCOUPLE / IGN. COVER-BBQ GRILL	1	EA	
2	B2003318	THERMOCOUPLE / IGN. BKT. - BBQ GRILL	1	EA	
3	PD030048	THERMOCOUPLE NUT M08-VGBQ-8743300007	1	EA	
4	PB040144	ORIFICE BURNER 90D 15"IR #52 HD RED	1	EA	
4	PB040145	LP IR ELBOW VGBQ #62 HD BLACK	1	EA	
5	042576-000	THERMOCOUPLE	1	EA	
6	G3103322	IR ASSY - 36/48/60" BBQ GRILL - NLA	1	EA	
7	PB040122	IGNITOR FOR (BBQ GRILL) (1647-89)	1	EA	
8	023653-000	Nipple-Coupler Assy	1	EA	
Comments for Part Num. 023653-000 gboltz@VikingRange.com on Dec 6, 2019 See TO-0008A-SP Bulletin					
NI	PE070233	GRILL IGNITER WIRE	1	EA	
9	PB020096	48" 5/16 S.S. FLEX TUBING REPL F2003505	1	EA	
10	PB040129	FTG.-ELBOW, 1/8NPT-5/16"C.C.	1	EA	
11	PD030049	SAFTY VALVE NUT M12-VGBQ-8743300010	1	EA	
12	PB010158	SAFETY VALVE -(IR) (BBQ GRILL)	1	EA	
13	PB020190	10" FLEX TUBE (INCLUDES FITTINGS)	1	EA	
14	PB040150	3/8" CC TO 3/8 - 27 ELBOW	1	EA	
15	PA010012	ROPER PLUG	1	EA	
16	B1001138	MANIFOLD BRKT *SS* (VGBQ)	1	EA	
17	PA010030	GRILL VALVE-(VGRT)	1	EA	SEE TC-0073A-P
18	G50010142	GRILL VALVE/KNOB SERVICE KIT (NAT.)	1	EA	
18	PA010078	GRILL VALVE - L.P.	1	EA	SEE 2003-13P

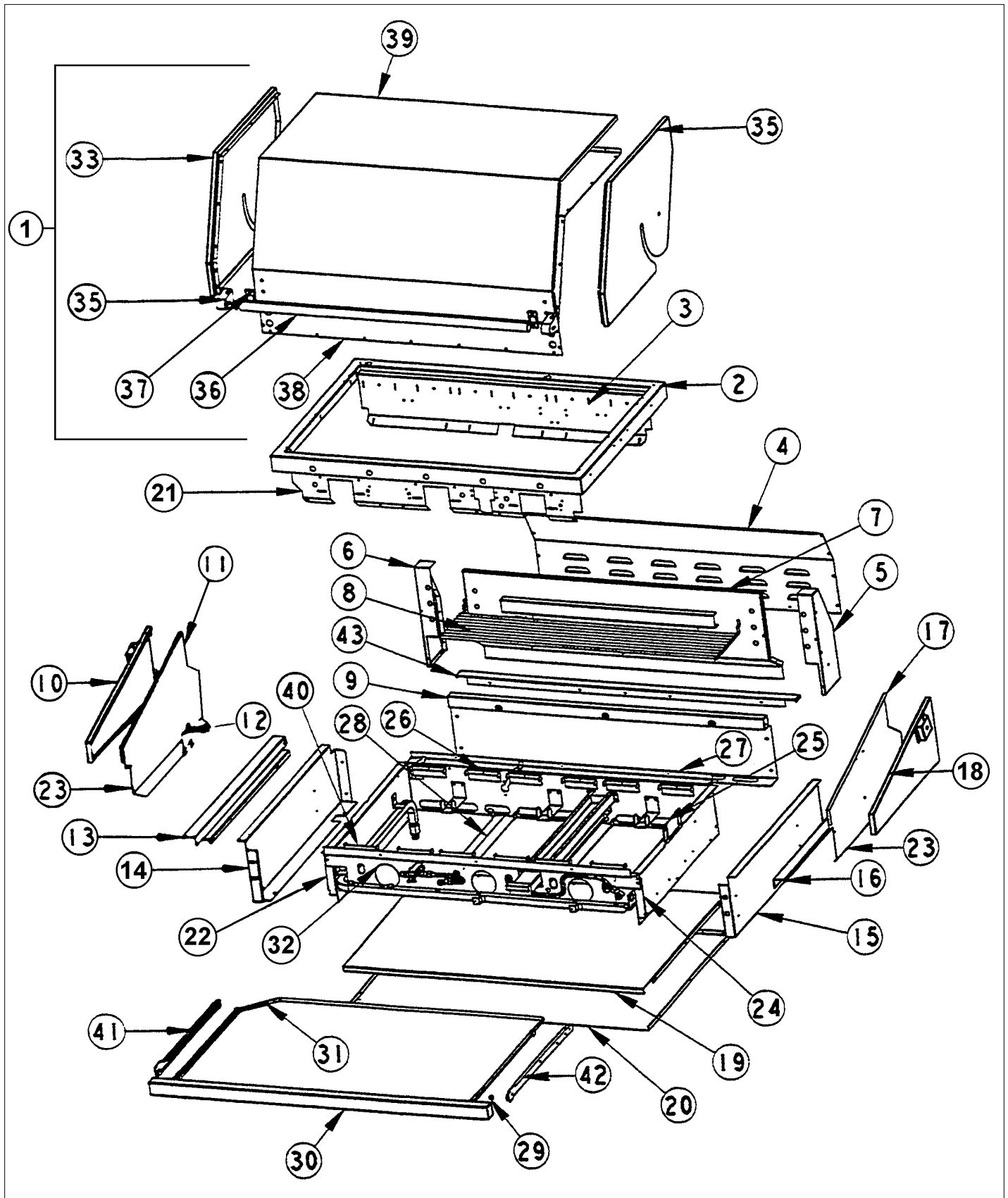
Item	Part No.	Name	Qty	Uom	NOTES
19	PA020023	DUAL OUTPUT IGNITION SWITCH-(VGBQ) 1691-04	1	EA	
20	PA020022	SINGLE OUTPUT IGNITION SWITCH-(VGBQ (1691.06)	1	EA	
21	PA050060	UNIVERSAL MANIFOLD 41	1	EA	
22	B2003261	VALVE BRKT - BBQ GRILL W/ ROTIS.	1	EA	
23	G3003227	LANDING LEDGE ASSY - 36" BBQ GRILL	1	EA	Not available online / Call for pricing and availability
24	PE010142	3" LOGO *BK**CHROME	1	EA	
24	PE010143	3" LOGO, BK/BR	1	EA	
NI	PD030006	CAPPED WASHER PAL NUT	1	EA	
25	B9203230	CTRL PAN (VGBQ4103R) *SLK SCR*	1	EA	
26	PB010159	SAFETY VALVE KNOB	1	EA	
27	PB010156	IGNITION SWITCH KNOB (BBQ GRILL) 1390-16	1	EA	
28	PA010039	TOP GRILL KNOB*BK* (VGRC) (N/STYLE	1	EA	
29	050172-000	BEZEL, KNOB	1	EA	
29	PB010209	Bezel - BR	1	EA	
30	B2003340	SMOKER TRAY SUPTS (VGBQ)	1	EA	
31	G3203341	SMOKER TRAY ASSY - (VGBQ)	1	EA	
32	PB020081	SMOKER TUBING (P1 GRILL)	1	EA	NO LONGER AVAILABLE
33	PB040046	1/2" CLOSE NIPPLE	1	EA	
34	023653-000	Nipple-Coupler Assy	1	EA	
Comments for Part Num. 023653-000 gboltz@VikingRange.com on Dec 6, 2019 See TO-0008A-SP Bulletin					
35	PA070006	PRESSURE REG.(NAT.)-4"-FOR BBQ GRILL	1	EA	
35	PA070005	PRESSURE REG.(LP) RV47L-77-10.0	1	EA	
36	PB040146	1/2" X 3/8" FLARE ADAPTER (VGBQ)	1	EA	

Item	Part No.	Name	Qty	Uom	NOTES
37	PB020227	HIGH PRESSURE LP HOSE (30")	1	EA	
38	PA070007	LP TANK REGULATOR (VGBQ)	1	EA	
39	PB040147	5LPA-10C PLUG (VGBQ LP)	1	EA	
NI	G3004936	REGULATOR ASSY NAT	1	EA	
NI	G3004937	REGULATOR ASSY - L.P. W/ 30" HOSE	1	EA	
NI	G5004200	LIGHTING WAND ASSY (VGBQ)	1	EA	
NI	E9107933	BROILER PAN	1	EA	NO LONGER AVAILABLE
NI	E9107934	BROILER PAN INSERT - NLA	1	EA	
NI	PE070233	GRILL IGNITER WIRE	1	EA	
NI	G4004963	WIRING IR BURNER BBQ60	1	EA	

Functional Parts

Item	Part No.	Name	Qty	Uom	NOTES
1	G5004548	SS BURNER KIT REP PA080035	1	EA	
2	G3204910	ROTIS MOTOR REPL G3203346	1	EA	NO LONGER AVAILABLE
3	PA020023	DUAL OUTPUT IGNITION SWITCH-(VGBQ) 1691-04	1	EA	
4	PA010078	GRILL VALVE - L.P.	1	EA	SEE 2003-13P
5	G50010142	GRILL VALVE/KNOB SERVICE KIT (NAT.)	1	EA	
6	G5004200	LIGHTING WAND ASSY (VGBQ)	1	EA	
7	G3103322	IR ASSY - 36/48/60" BBQ GRILL - NLA	1	EA	
8	PB010158	SAFETY VALVE -(IR) (BBQ GRILL)	1	EA	
9	PA010030	GRILL VALVE-(VGRT)	1	EA	SEE TC-0073A-P
10	PB040122	IGNITOR FOR (BBQ GRILL) (1647-89)	1	EA	
11	PE070189	ELECTRICAL SUPPLY CORD - BBQ GRILL	1	EA	
12	G3004937	REGULATOR ASSY - L.P. W/ 30" HOSE	1	EA	
13	G3004936	REGULATOR ASSY NAT	1	EA	
14	PE070184	ROTISSERIE MOTOR	1	EA	
15	PA020022	SINGLE OUTPUT IGNITION SWITCH-(VGBQ) (1691.06)	1	EA	
16	PB050058	PHASE 1 SMOKER BURNER (NO SUPPLIER)	1	EA	NO LONGER AVAILABLE

GRILL SUBASSY



Item	Part No.	Name	Qty	Uom	NOTES
1	G3204916FG	CANOPY ASSY 41/532 (P1 GRILL) *FG*	1	EA	NO LONGER AVAILABLE, Not available online / Call for pricing and availability
1	G3204916FGBR	COMPLETE CANOPY ASSY. - FGBR	1	EA	Not available online / Call for pricing and availability
1	G3204916GG	CANOPY ASSY 41/532 (P1 GRILL) *GG*	1	EA	NO LONGER AVAILABLE, Not available online / Call for pricing and availability
1	G3204916GGBR	COMPLETE CANOPY ASSY. - GGBR	1	EA	Not available online / Call for pricing and availability
1	G3204916SS	CANOPY ASSY 41/532 P1 REPL.B2003336	1	EA	NO LONGER AVAILABLE
1	G3204916SSBR	COMPLETE CANOPY ASSY. - SSBR	1	EA	Not available online / Call for pricing and availability
1	G3204916VB	CANOPY ASSY 41/532 (P1 GRILL) *VB*	1	EA	NO LONGER AVAILABLE, Not available online / Call for pricing and availability
1	G3204916VBBR	COMPLETE CANOPY ASSY. - VBBR	1	EA	Not available online / Call for pricing and availability
2	B2004233	GRILL BASE VGBQ5323RN REPL G3003262	1	EA	NO LONGER AVAILABLE
3	B2004904	REAR SHIELD - 41 (P1 GRILL)	1	EA	Not available online / Call for pricing and availability
4	B2003331	REAR COVER BBQ GRILL 48"	1	EA	NO LONGER AVAILABLE
5	B3003320	IR SUPT END RH - BBQ GRILL	1	EA	
6	B3003321	IR SUPT END LH - BBQ GRILL	1	EA	
7	G9103313	IR HOUSING ASSY-48/36" BBQ GRILL	1	EA	
8	PB060027	WARMING RACK - 53"	1	EA	
9	B2004929	REAR PANEL - 30" (P1 GRILL)	1	EA	NO LONGER AVAILABLE

Item	Part No.	Name	Qty	Uom	NOTES
10	G3003303	O/S WINDSHIELD LH-BBQ GRILL	1	EA	Not available online / Call for pricing and availability
11	B2004958	INSIDE WINDSHIELD LH	1	EA	
12	B2003307	ROTIS SADDLE - BBQ GRILL	1	EA	NO LONGER AVAILABLE
13	B2004926	GRILL SIDE TRIM - LH (P1 GRILL)	1	EA	NO LONGER AVAILABLE, Not available online / Call for pricing and availability
14	B2003242	SIDE PANEL LH BBQ GRILL 48"	1	EA	NO LONGER AVAILABLE
15	B2003241	SIDE PANEL RH BBQ GRILL 48"	1	EA	Not available online / Call for pricing and availability
16	B2004925	GRILL SIDE TRIM - RH (P1 GRILL)	1	EA	NO LONGER AVAILABLE, Not available online / Call for pricing and availability
17	B2004957	INSIDE WINDSHIELD RH	1	EA	NO LONGER AVAILABLE
18	G3003302	O/S WINDSHEILD RH-BBQ GRILL	1	EA	
19	B2003223	BTM INSUL. SHIELD BBQ GRILL 36"	1	EA	NO LONGER AVAILABLE, Not available online / Call for pricing and availability
20	B2003222	BURNER BOX BTM BBQ GRILL 36"	1	EA	NO LONGER AVAILABLE, Not available online / Call for pricing and availability
21	B2004938	FRONT SHIELD 4S03R (P1 GRILL)	1	EA	NO LONGER AVAILABLE, Not available online / Call for pricing and availability
22	B2004908	BURNER BOX SIDE LH (P1 GRILL)	1	EA	NO LONGER AVAILABLE, Not available online / Call for pricing and availability
23	B2004955	SIDE SHIELD R/H & L/H	1	EA	

Item	Part No.	Name	Qty	Uom	NOTES
24	B2004907	BURNER BOX SIDE RH (P1 GRILL)	1	EA	NO LONGER AVAILABLE, Not available online / Call for pricing and availability
25	B2003306	ROTIS MOUNTING BRKT-BBQ	1	EA	
26	B2004924	REAR FLAVOR GRID SUPPORT (P1 GRILL)	1	EA	
27	B2003224	REAR SUPT BBQ GRILL 36"	1	EA	NO LONGER AVAILABLE, Not available online / Call for pricing and availability
28	B2003791	CENTER SHIELD (VGBQ)	1	EA	
29	PD040004	GROMMET BUMPER	1	EA	
30	B3003231	DRIP TRAY HANDLE BBQ GRILL 41"	1	EA	
NI	PD020078	' #10-24 X 1/2" PH.TR. M.S.*SS* NYLOK	1	EA	
31	G3103286	DRIP TRAY/ASSY-41" BBQ REP G3104215, NLA	1	EA	
32	B2003225	FRONT SUPT BBQ GRILL 36"	1	EA	NO LONGER AVAILABLE
33	B2004919	CANOPY END LH (P1 GRILL)	1	EA	
34	B2004918	CANOPY END RH (P1 GRILL)	1	EA	NO LONGER AVAILABLE
35	000268-000	HANDLE ENDCAP	1	EA	
35	PE030001PVD	END CAP DOOR HANDLE *BR	1	EA	
36	PE030040	DOOR/CNPY HNDLE - RPLCS PE930090	1	EA	NO LONGER AVAILABLE
36	PE030044PVD	CNPY HDLE 41/53 PVD F0005408	1	EA	NO LONGER AVAILABLE
NI	PD020069	CAP SCREW 1/4-20 X 3/4 SS	1	EA	
37	PD040010	DOOR HANDLE SPACER	1	EA	NO LONGER AVAILABLE
38	B2004920	CANOPY HEAT SHIELD (P1 GRILL)	1	EA	NO LONGER AVAILABLE
39	B2004917	CANOPY 41/53 (P1 GRILL)	1	EA	NO LONGER AVAILABLE, Not available online / Call for pricing and availability

Item	Part No.	Name	Qty	Uom	NOTES
39	B9004917FG	CANOPY BODY *FG* (P1 GRILL) 41/532	1	EA	NO LONGER AVAILABLE, Not available online / Call for pricing and availability
39	B9004917GG	CANOPY BODY *GG* (P1 GRILL) 41/532	1	EA	NO LONGER AVAILABLE, Not available online / Call for pricing and availability
39	B9004917VB	CANOPY BODY *VB* (P1 GRILL) 41/532	1	EA	NO LONGER AVAILABLE, Not available online / Call for pricing and availability
40	B2004923	FRONT BURNER BRACKET (P1 GRILL)	1	EA	
41	PK000007	DRIP TRAY GUIDE - LH (VGRT)	1	EA	NO LONGER AVAILABLE
42	PK000008	Drip Tray Guide - RH	1	EA	NO LONGER AVAILABLE
NI	PC040014	POP RIVOT-SS42 *SS*	1	EA	



Appendix A:Pages Index

BURNER GRATE ASSEMBLY 1
CONTROL-VALVE ASSY 2
FUNCTIONAL PARTS 3
GRILL SUBASSY4



Appendix B:Parts Index

000268-000	4	B2004938	4
000645-000	1	B2004955	4
000646-000	1	B2004957	4
007905-000	1	B2004958	4
023653-000	2, 2	B3003231	4
032881-000	1	B3003320	4
042576-000	2	B3003321	4
050172-000	2	B9004917FG	4
B1001138	2	B9004917GG	4
B2003222	4	B9004917VB	4
B2003223	4	B9203230	2
B2003224	4	E9107933	2
B2003225	4	E9107934	2
B2003241	4	G3003227	2
B2003242	4	G3003302	4
B2003261	2	G3003303	4
B2003270	1	G3004936	2, 3
B2003273	1	G3004937	2, 3
B2003306	4	G3103286	4
B2003307	4	G3103322	2, 3
B2003318	2	G3203341	2
B2003319	2	G3204910	1, 3
B2003331	4	G3204916FG	4
B2003340	2	G3204916FGBR	4
B2003546	1	G3204916GG	4
B2003791	4	G3204916GGBR	4
B2004233	4	G3204916SS	4
B2004904	4	G3204916SSBR	4
B2004907	4	G3204916VB	4
B2004908	4	G3204916VBBR	4
B2004917	4	G4004963	2
B2004918	4	G50010142	2, 3
B2004919	4	G5004200	2, 3
B2004920	4	G5004548	1, 3
B2004922	1	G9103313	4
B2004923	4	PA010012	2
B2004924	4	PA010030	2, 3
B2004925	4	PA010039	2
B2004926	4	PA010078	2, 3
B2004929	4	PA020022	2, 3
		PA020023	2, 3



PA050060	2	PE030044PVD	4
PA070005	2	PE070184	1, 3
PA070006	2	PE070189	1, 3
PA070007	2	PE070233	2, 2
PB010156	2	PK000007	4
PB010158	2, 3	PK000008	4
PB010159	2		
PB010209	2		
PB020081	2		
PB020096	2		
PB020190	2		
PB020227	2		
PB040046	2		
PB040122	2, 3		
PB040129	2		
PB040144	2		
PB040145	2		
PB040146	2		
PB040147	2		
PB040150	2		
PB040169	1		
PB050058	1, 3		
PB060027	4		
PB060031	1		
PB060049	1		
PC040014	4		
PD020055	1		
PD020062	1		
PD020069	4		
PD020078	4		
PD030006	2		
PD030048	2		
PD030049	2		
PD030050	1		
PD040004	4		
PD040010	4		
PE010142	2		
PE010143	2		
PE030001PVD	4		
PE030039	1		
PE030040	4		