

This Owner's Manual is provided and hosted by [Appliance Factory Parts](#).



# Sharp SMC2265GS Owner's Manual

[Shop genuine replacement parts for Sharp SMC2265GS](#)



[Find Your Sharp Microwave Parts - Select From 1248 Models](#)

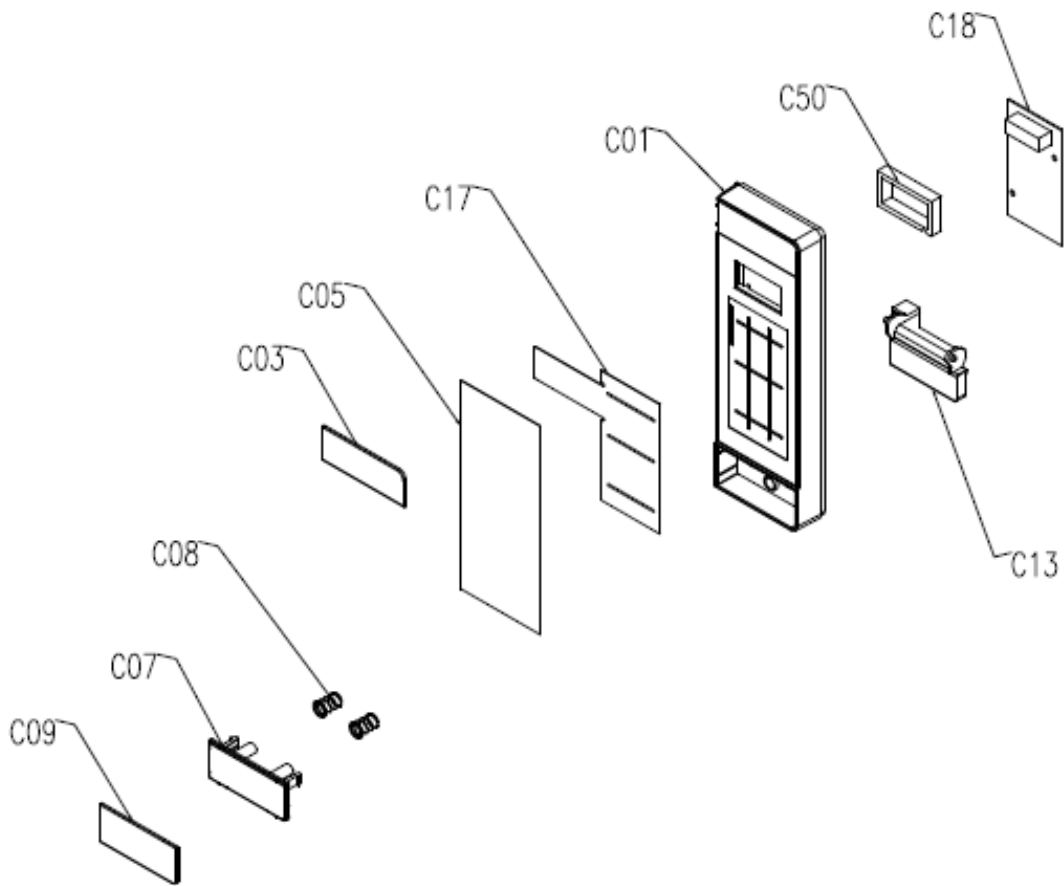
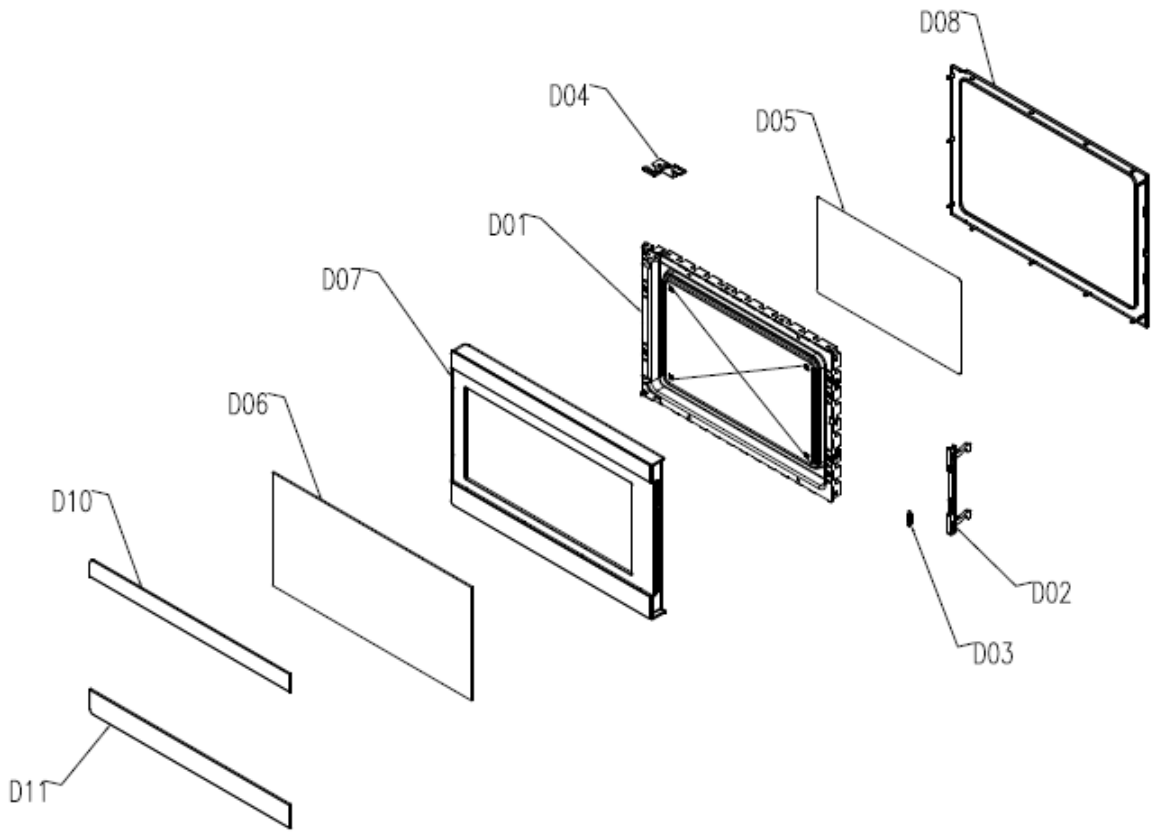
----- Manual continues below part list -----

## Available Replacement Parts for Sharp SMC2265GS

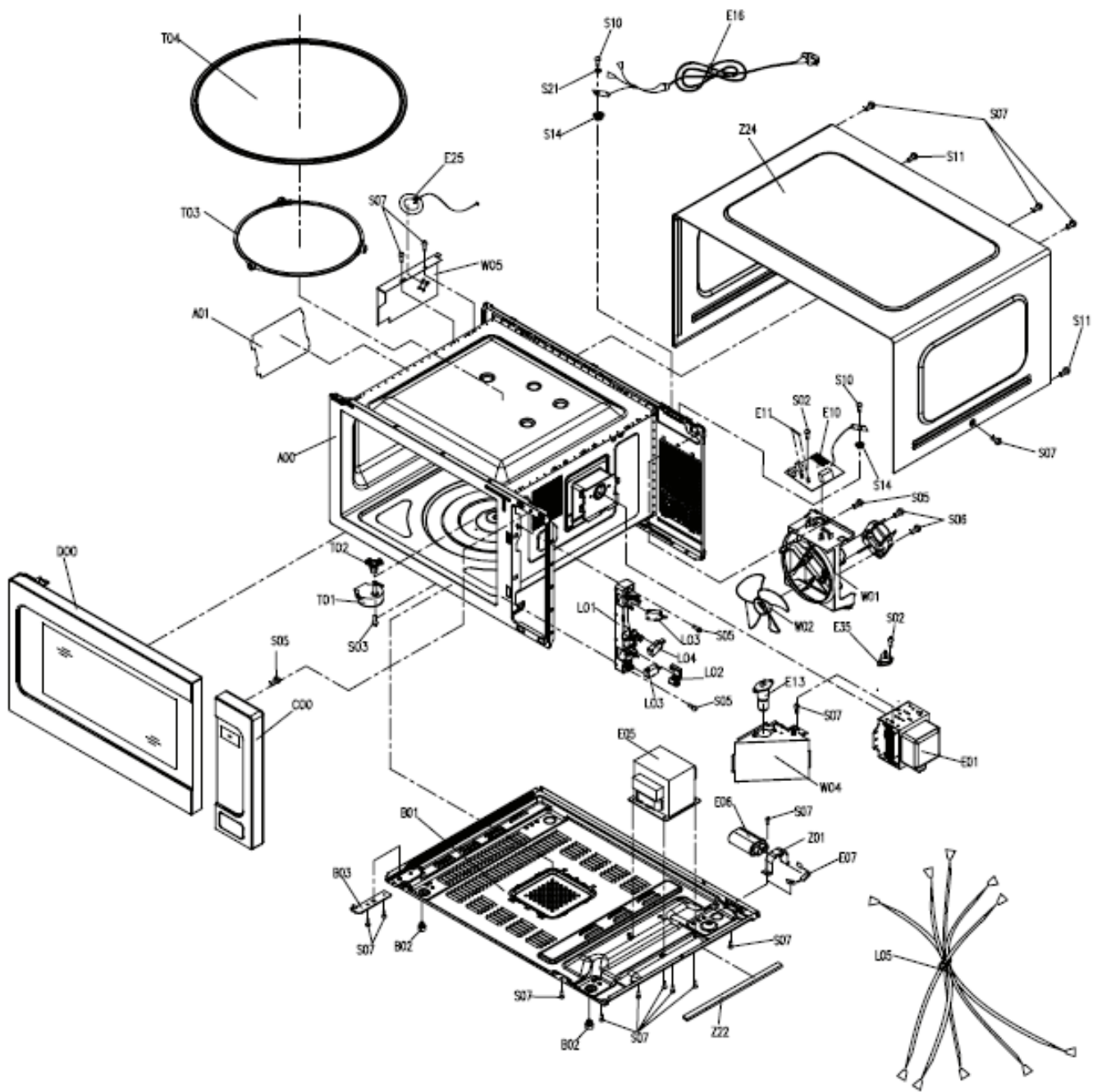
[9KL12170000004306](#)

GUIDE ROLLER

# EXPLODED VIEWS-Appearance



# EXPLODED VIEWS-Platform



## REPLACEMENT PARTS LIST

**NOTE:**

When ordering replacement parts, please use part numbers shown in this part list.

Do not use name of the part.

For Model: SMC2265GS

Ref No.	Part code	Part Name	Pcs
A00	9KL12270000041654	Cavity Assembly	1
A01	9KL12570000001036	Splash Cover	1
B01	9KL12270000005080	Baseplate	1
B02	9KL12170000000192	Foot	2
B03	9KL12270000006186	Hinge Assembly	1
C00	9KL17270000B81701+9KL16070000B47101+9KL17170000A06049	Control Panel Assembly	1
C01	9KL12170000037428	Control Panel	1
C02	9KL12270000043660	Control Panel Decoration	1
C05	9KL16070000B47101	Membrane Decoration	1
C07	9KL12170000037427	Door Open Button	1
C08	9KL12970000000400	Spring	1
C09	9KL12270000043659	Button Decoration	1
C13	9KL12170000009459	Door Open Lever	1
C18	9KL17170000031182	Program Chip	1
C17	9KL17170000A06049	Membrane Switch Circuit	1
D00	9KL12270000B64744+9KL12570000A35298	Door Assembly	1
D01	9KL12270000003805	Door Frame Assembly	1
D02	9KL12170000023687	Latch	1
D03	9KL12970000000365	Latch Spring	1
D04	9KL12270000006169	Hinge Assembly	1
D05	9KL12170000009502	Door Film	1
D06	9KL12570000A35298	Glass Door Screen	1
D07	9KL12170000037429	Door Panel	1
D08	9KL12170000009536	Door Gasket	1
D10	9KL12270000043661	Door Panel Decoration	1
D11	9KL12270000043662	Door Panel Decoration	1
E01	9KL17470000000819	Magnetron	1
E05	9KL17470000010443	H.V.Transformer	1
E06	9KL17470000000689	H.V.Capacitor	1
E07	9KL17470000001007	H.V.Diode	1
E10	9KL17170000A06810	Mi Assembly	1
E11	9KL17470000001552	Fuse	1
E13	9KL17470000013887	Integrated Lamp	1
E16	9KL17470000000183	Power Cord	1
E25	9KL11201004000002	Humidity sensor	1
E32	9KL17470000009111	Thermostat 120/80°C	1
E35	9KL17470000001493	Thermostat 160/95°C	1
L00	9KL17470000009607	Interlock Assembly	1
L01	9KL12170000003401	Latch Board	1

L02	9KL12170000010256	Interlock Lever	1
L03	9KL17470000008423	Microswitch Interlock	1
L03	9KL17470000009203	Microswitch Interlock	1
L04	9KL17470000008424	Microswitch Monitor	1
L05	9KL17470000001445	Main Wire Harness	1
T01	9KL11002014A00326	Synchronous motor	1
T02	9KL12170000000425	Coupler	1
T03	9KL12170000004306	Swivel Assembly	1
T04	9KL12570000000991	Glass Turntable	1
W00	9KL17470000000544	Fan Assembly	1
W01	9KL12170000004293	Fan Guide	1
W02	9KL12170000000206	Fan	1
W03	9KL11002017000375	Brushless DC Motor	1
W04	9KL12270000040301	Wind Guide Cover	1
W05	9KL12270000006304	Heat Insulator	1
W16	9KL12270000000150	Wind Guide Cover	1
Z01	9KL12270000006211	Capacitor Holder	1
Z22	9KL12670000000424	Shockproof Bar	2
Z24	9KL12270000005925	Cover	1
\	9KL16170000A85747	User Manual	1
\	9KL16270000A74996	Gift Box	1
\	9KL16370000000419	Packing *Lower	1
\	9KL16370000000409	Packing *Upper	1