

This Owner's Manual is provided and hosted by [Appliance Factory Parts](#).



MIDEA DLFSHCH09XAK Owner's Manual

[Shop genuine replacement parts for MIDEA
DLFSHCH09XAK](#)



[Find Your MIDEA Air Conditioner Parts - Select From 1912 Models](#)

----- Manual continues below part list -----

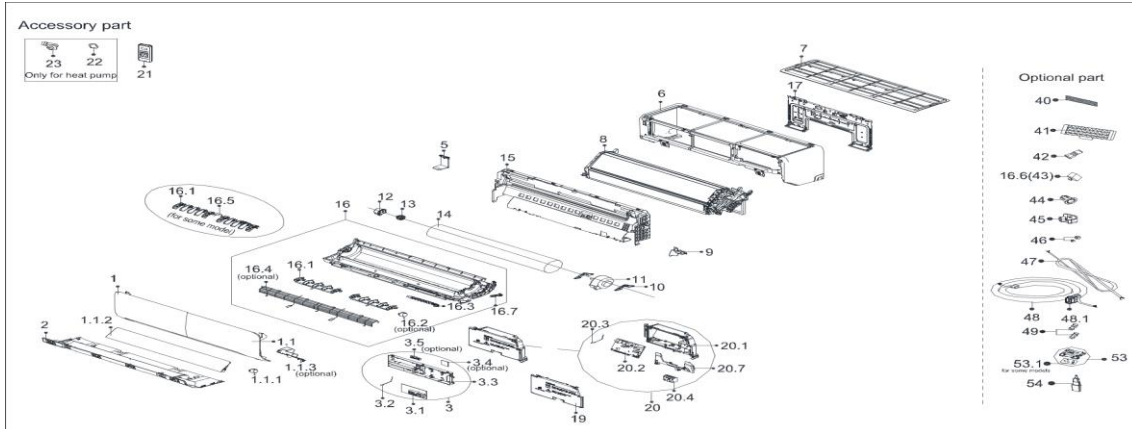
Available Replacement Parts for MIDEA DLFSHCH09XAK

12122000026607	Panel Assembly
17122000050501	Main Control Board Subassembly

Exploded View



Model Number: DLF5HCH09XAK



Spare Parts

EX_ID	Part Name(EN)	Original Spare Parts Code	Qty.	Spare Parts Code for Replacement	Remarks
1	Panel assembly	12122000026610	1		
1.1	Panel assembly	12122000026611	1		
1.1.3	Smart Eye Subassembly	17422000004555	1		
1.1.4	Panel assembly	12122000035735	1		
1.1.4.1	Stepper Motor	11002010000326	1		
1.1.4.2	Louver Subassembly	12122000027051	1		
2	Panel Assembly	12122000026607	1		
3	Display box subassembly	17222000A65496	1		
3.1	Display board subassembly	17122000058533	1		
3.2	Room Temperature Sensor	11201007003103	1		
3.3	Display box	12122000026921	1		
3.4	Humidity Sensor Subassembly	17120100000394	1		
5	Chassis support I	12122000026621	1		
6	Panel Frame Assembly	12122000026423	1		
7	Filter Assembly	12122000026428	1		
8	Evaporator assembly	15822000A18343	1		
9	pipe clamp board	12122000026609	1		
10	Fixing board of fan motor	12122000011994	2		
11	Brushless DC Motor	11002015000051	1	11002015A01257	
12	Bearing Sleeve	12122000000350	1		
13	Bearing Block Assembly	12622000000131	1	12622000A00001	
14	Cross Flow Fan	12100102000696	1	12100102A00186	
15	Chassis assembly(above)	12122000026603	1		
16	Chassis assembly(below)	12122000028661	1		
16.1	Horizontal Louver	12122000026617	4		
16.2	Stepper Motor	11002010001486	1		
16.3	Drain Hose	12100501000032	1		
16.4	Protective wire	12922000001991	1		
16.5	Connecting rod of louver	12122000026618	1		
16.7	Drainage plug	12622000000030	1		
17	Installation plate subassembly	12222000A06973	1		
19	Cover of Electronic Control Box Subassembly	12122000026601	1		
20	Electronic control box subassembly (Mid-and low-end)	17222000032943	1		
20.1	Electronic control box subassembly	12122000026606	1		
20.2	Main control board subassembly	17122000050501	1		
20.3	Pipe Temperature Sensor	11201007003445	1		
20.4	Wire Joint	17400401000577	1		
20.7	Electrical Control Box holder	12122000026605	1		
21	Remote controller	17317000007664	1		
40	Cold Catalyst Air Filter	12100204000685	1		
42	Pin Valve	15500209000001	1		
45	Bracket of Remote Controller	12122000029201	1		
46	Flare Nut	15500406000010	1	15500406000015	
46	Flare Nut	15500406000016	1		
54	WiFi Module Assembly	17310900003164	1		