

Sunbeam® GRILLMASTER SERIES

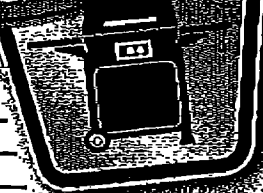
LOOK INSIDE FOR:

- EASY ASSEMBLY INSTRUCTIONS
- IMPORTANT WARRANTY INFORMATION
- SAFETY AND MAINTENANCE TIPS

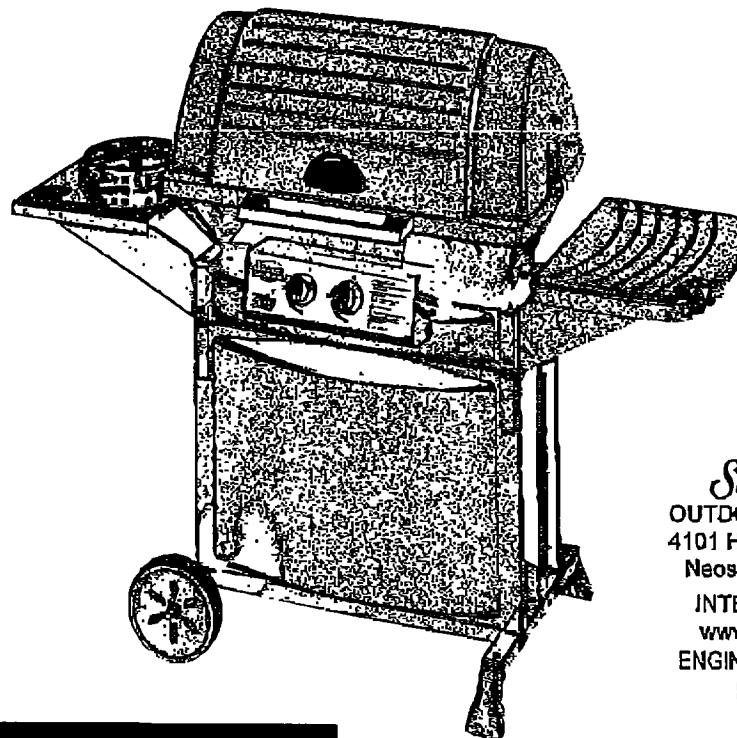
NOTE:

- HARDWARE SHOWN IS ACTUAL SIZE IN MATERIAL

**ASSEMBLY
QUICK-N-EASY**



MODEL B66522RPB



Sunbeam

OUTDOOR COOKING
4101 Howard Bush Dr.
Neosho, Mo. 64850

INTERNET SITE:
www.bbqhq.com
ENGINEERING CODE
SDJ11314

**FOR YOUR CONVENIENCE,
EXTRA HARDWARE MAY BE
INCLUDED.**

ASSEMBLER/INSTALLER:

LEAVE THESE INSTRUCTIONS WITH THE
CONSUMER.

CONSUMER/USER:

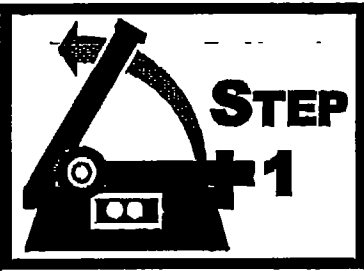
READ ALL THESE INSTRUCTIONS AND
KEEP THEM IN A SAFE PLACE FOR
FUTURE REFERENCE.

⚠ WARNING:

THE EDGES OF SHEET METAL PARTS CAN
CAUSE INJURY IF NOT HANDLED WITH CARE.
USE EXTREME CAUTION!

⚠ IMPORTANT!

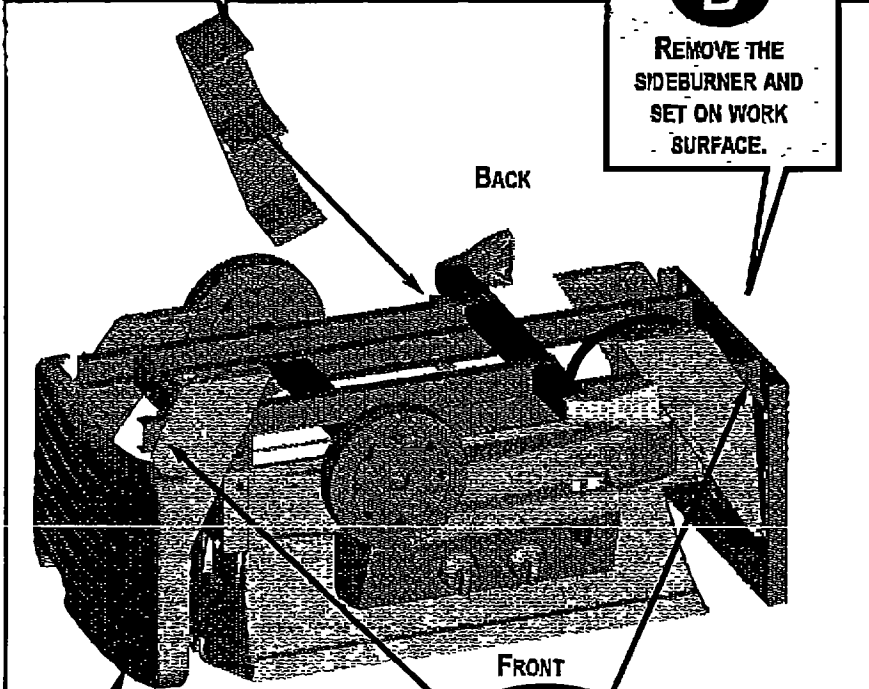
TO ENSURE PROPER GAS FLOW, BURNER
CONTROL VALVES **MUST BE "OFF" BEFORE**
OPENING THE GAS CYLINDER VALVE.



⚠ WARNING:
BEFORE SETTING THE GRILL UPRIGHT, UNFOLD THE LEGS AND SECURE WITH SIX SCREWS AS SHOWN IN STEPS 1 AND 2.

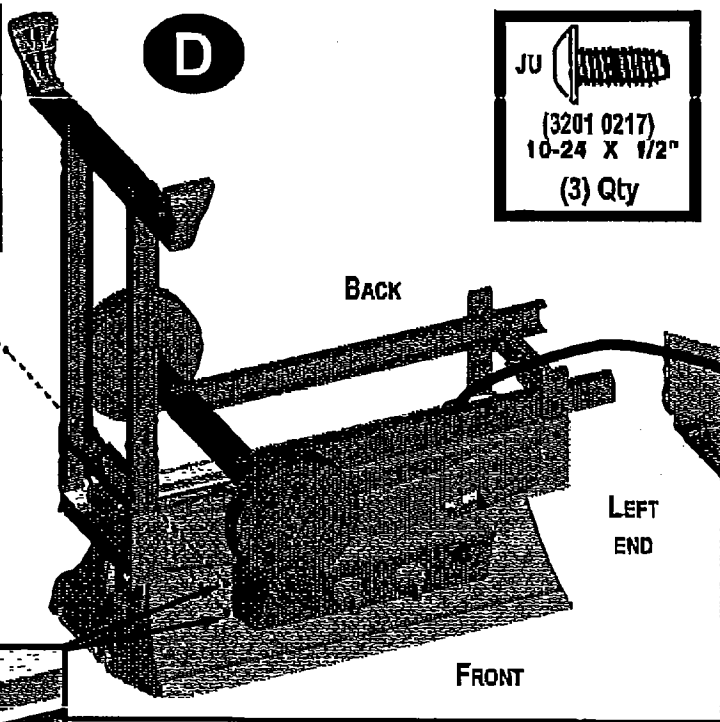
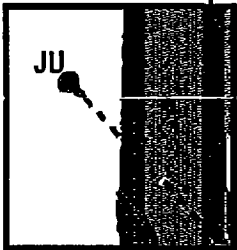
A REMOVE THE LEG CLIP AND THROW AWAY. FOR SHIPPING USE ONLY.

B REMOVE THE SIDEBURNER AND SET ON WORK SURFACE.

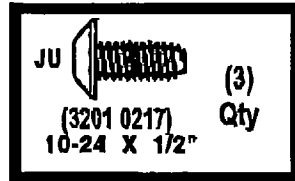
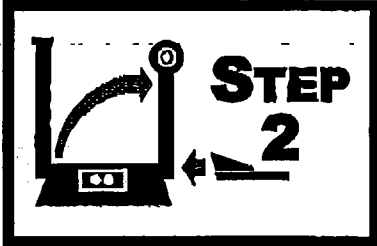


C REMOVE THE SIDETABLE AND SET ON WORK SURFACE.

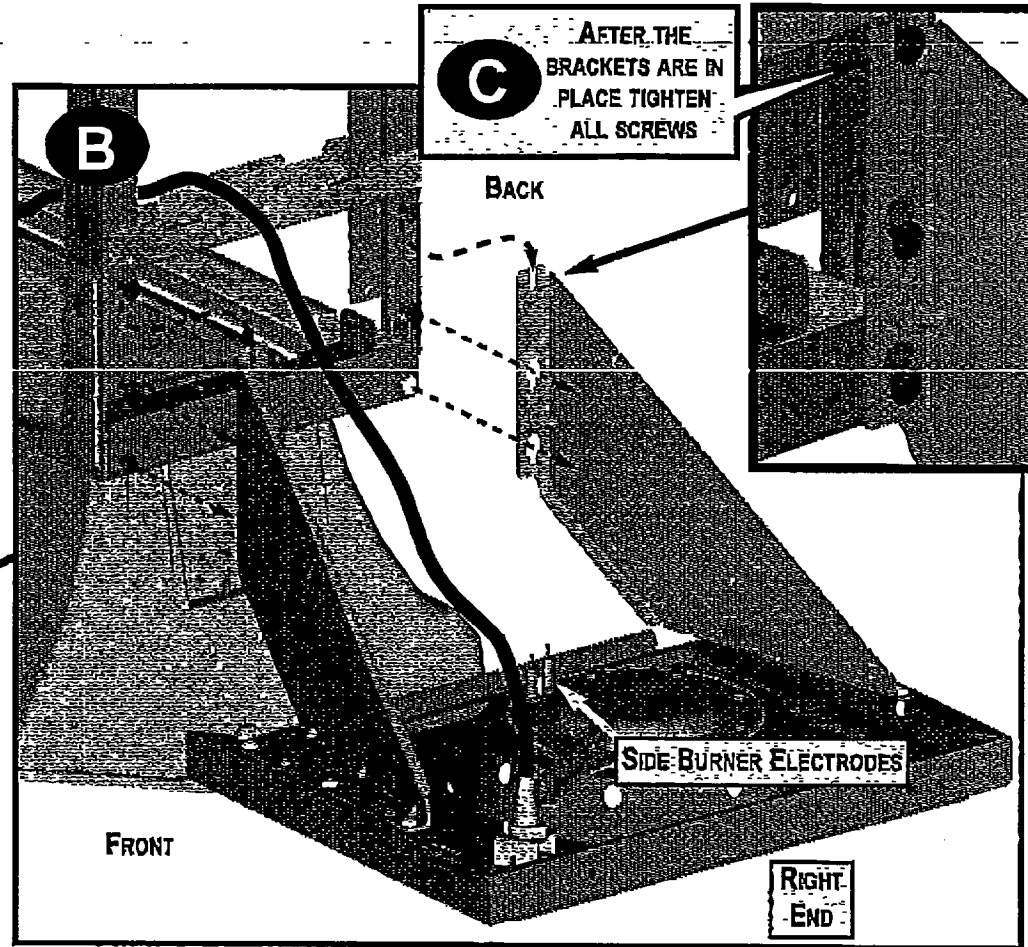
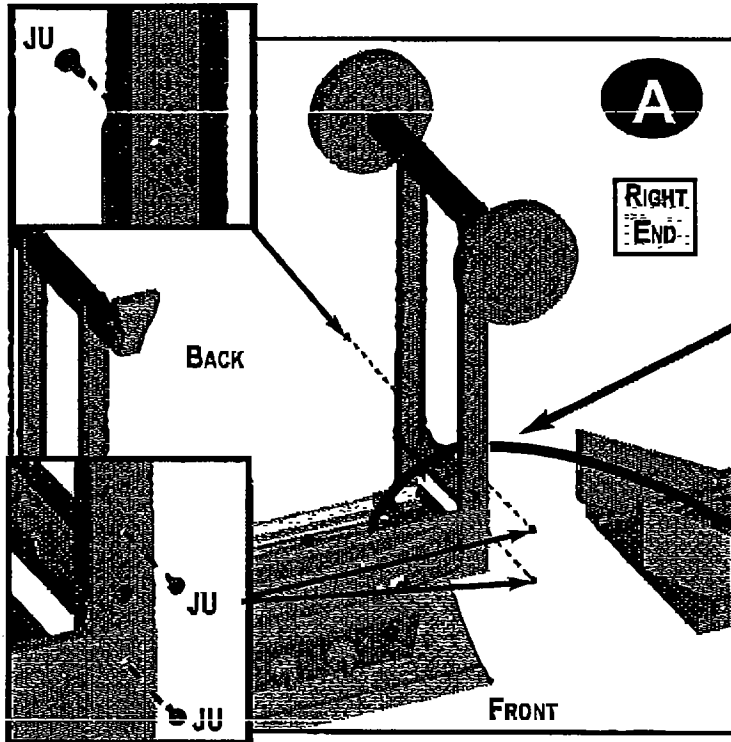
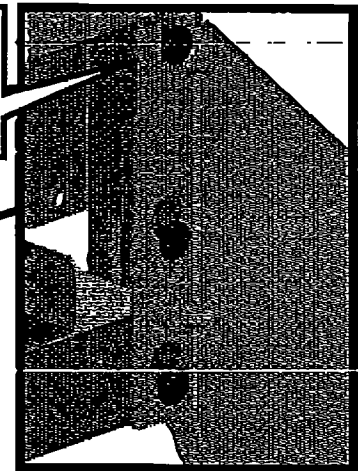
⚠ CAUTION:
PINCH POINTS!
USE EXTREME CAUTION!



⚠ WARNING:
Combustion by-products produced when using this product contains chemicals known to the State of California to cause cancer, birth defects, or other reproductive harm.



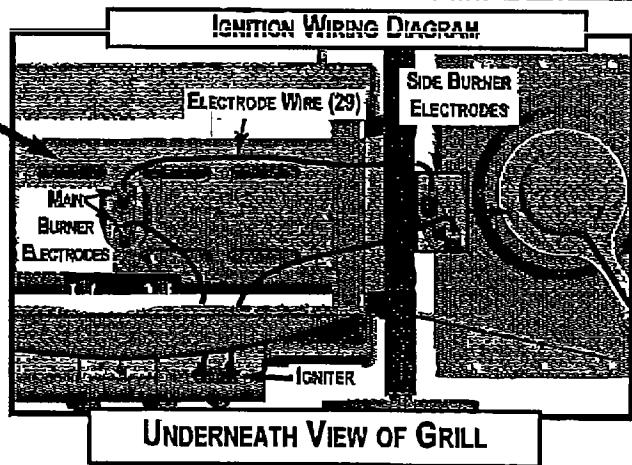
C AFTER THE BRACKETS ARE IN PLACE TIGHTEN ALL SCREWS

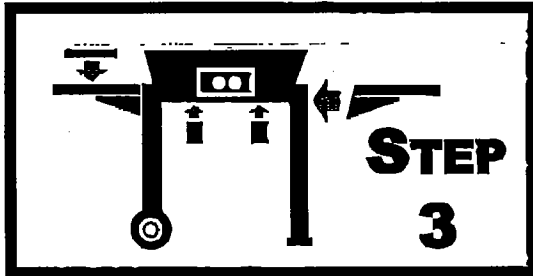


D

ATTACH THE IGNITER WIRES ON THE IGNITER AS FOLLOWS:

1. THE SHORTER WIRE ATTACHES TO EITHER OF THE MAIN BURNER ELECTRODES.
2. THE LONGER WIRE ATTACHES TO EITHER OF THE SIDE BURNER ELECTRODES.
3. ATTACH THE 32" ELECTRODE WIRE (29) TO THE REMAINING MAIN BURNER ELECTRODE AND THE SIDE BURNER ELECTRODE.

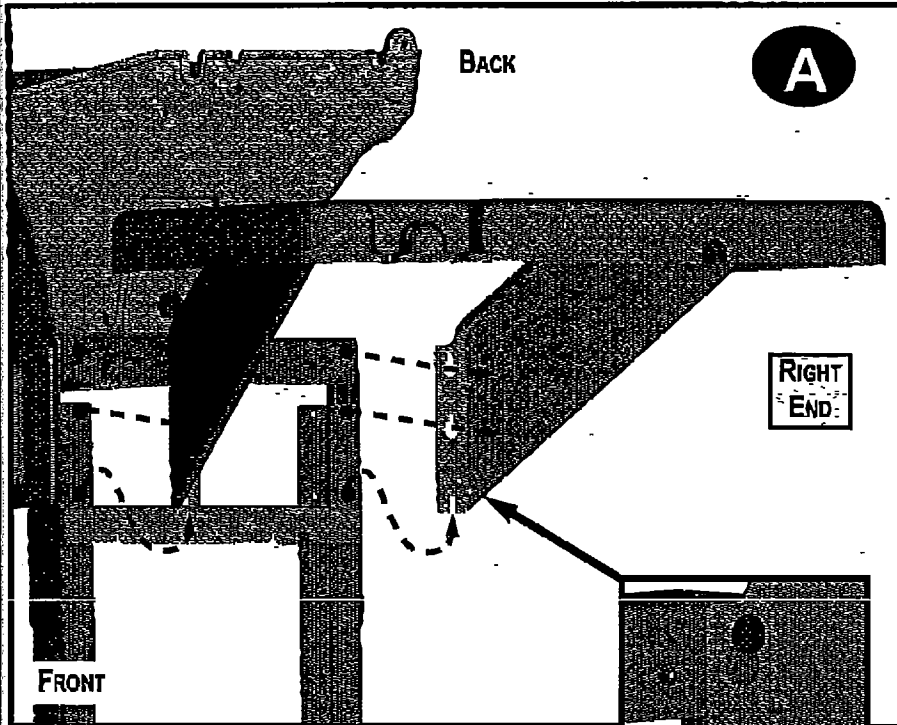
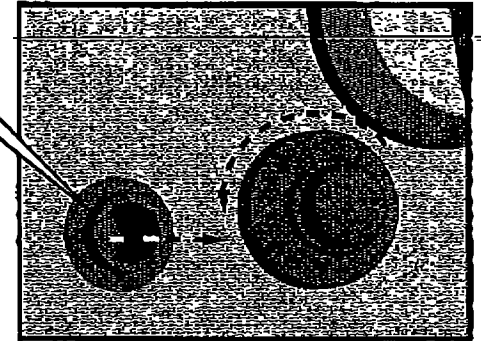




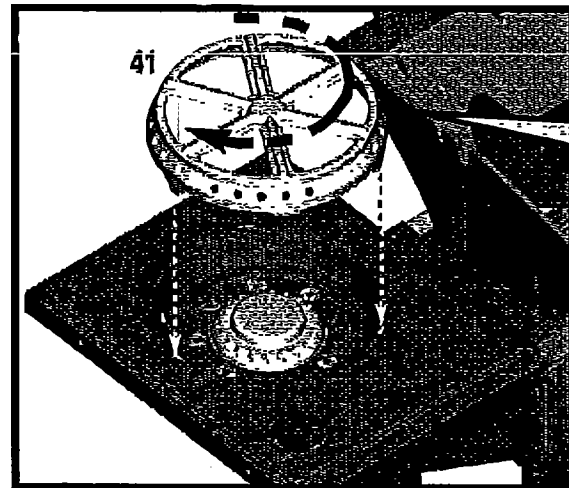
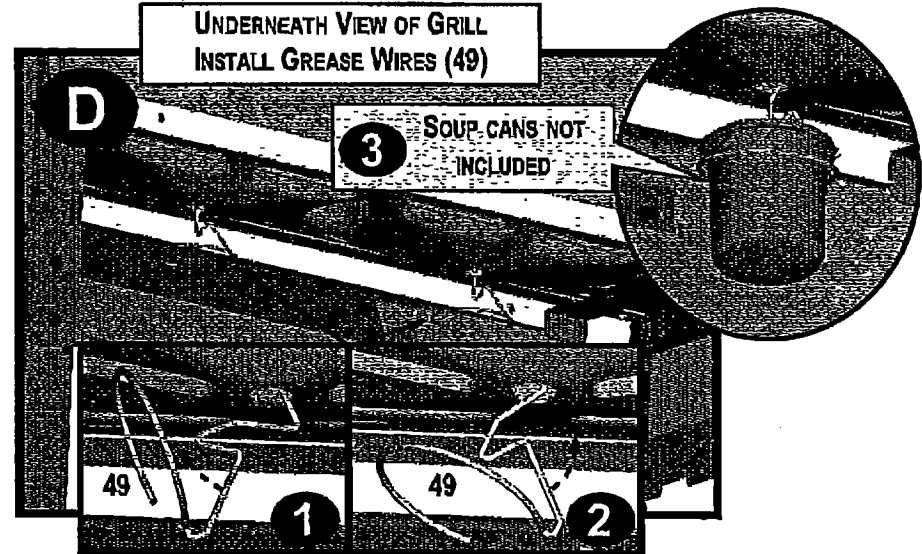
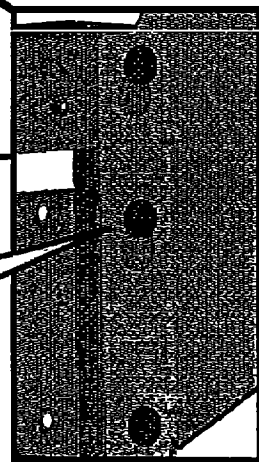
C REMOVE IGNITER CAP AND PLACE THE AAA BATTERY INSIDE. REPLACE CAP.

TEST THE IGNITER: A SPARK SHOULD APPEAR AT ELECTRODE TIP. IF THE SPARK DOES NOT APPEAR:

- CHECK THE WIRE CONNECTION TO THE IGNITER.
- CHECK THE WIRE CONNECTIONS TO THE MAIN BURNER AND SIDE BURNER ELECTRODES.
- CHECK THE BATTERY POSITION.

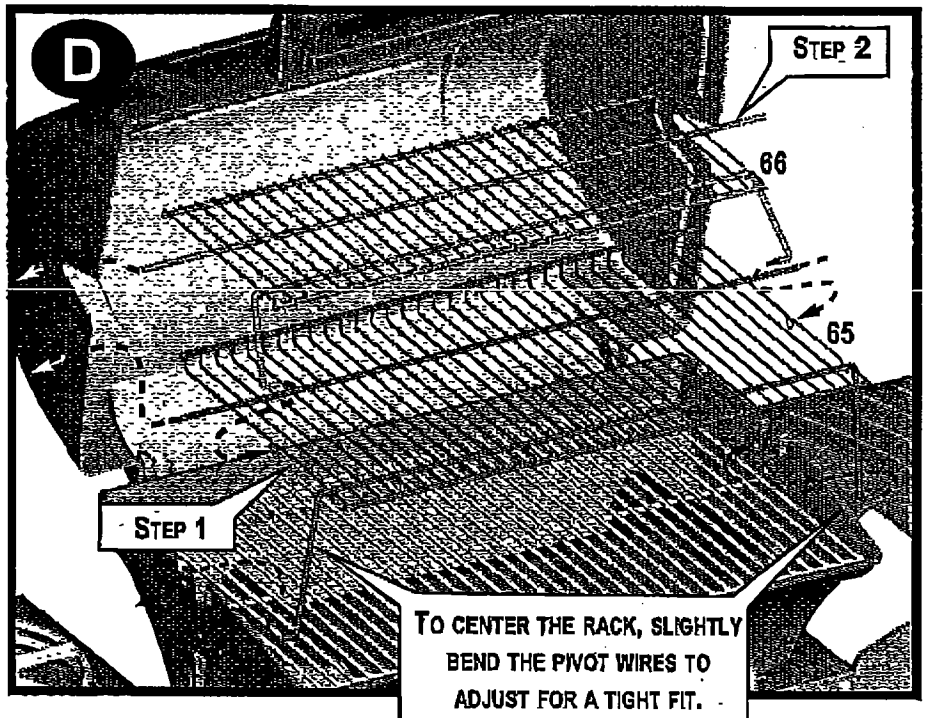
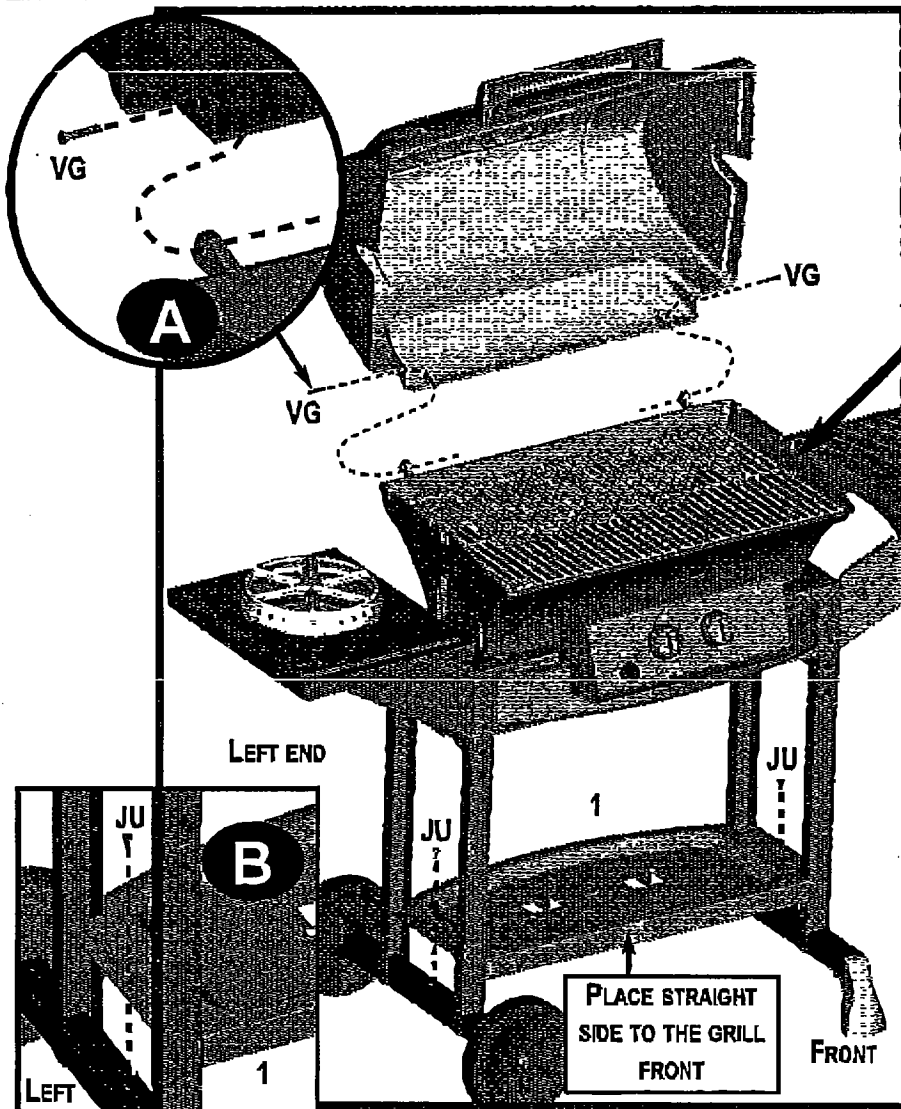
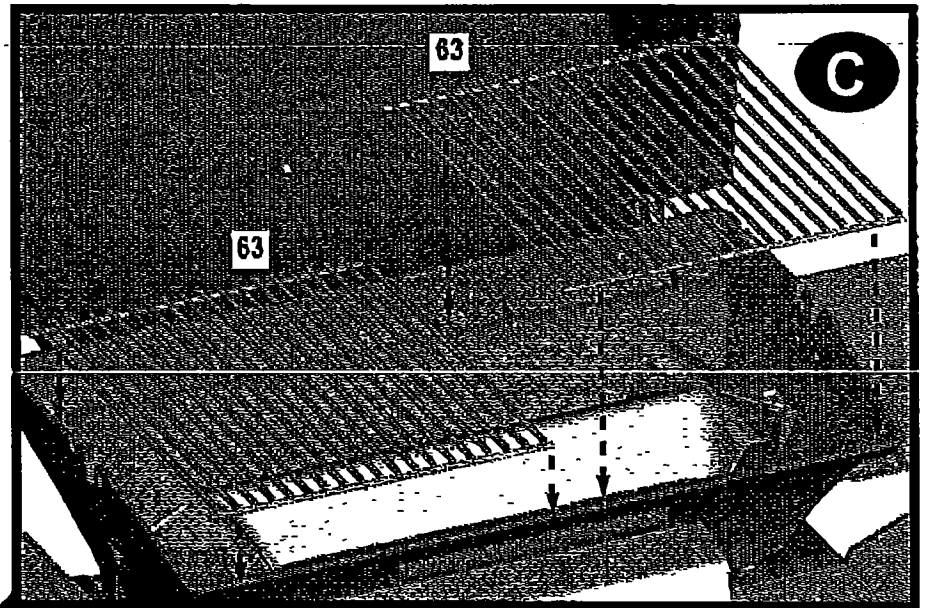
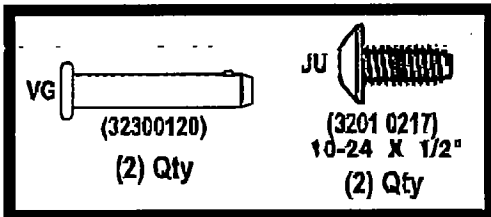
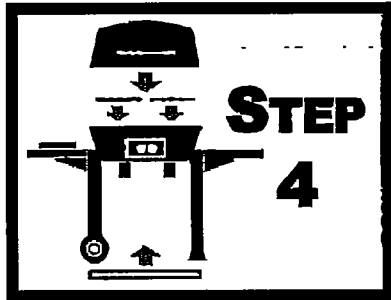


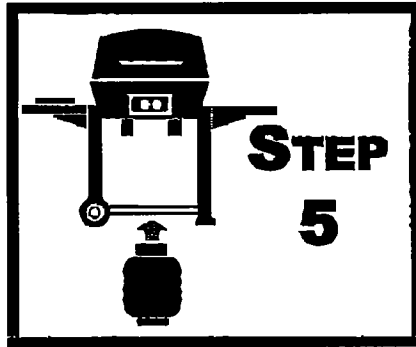
B AFTER THE BRACKETS ARE IN PLACE, TIGHTEN ALL SCREWS



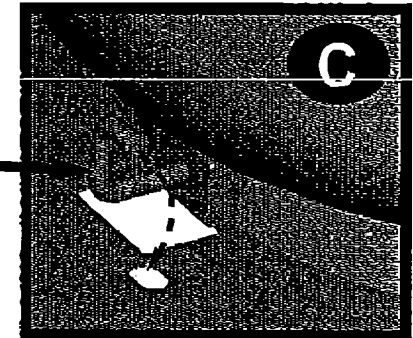
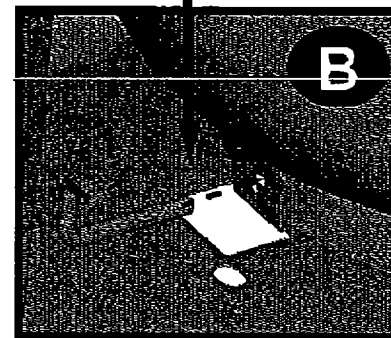
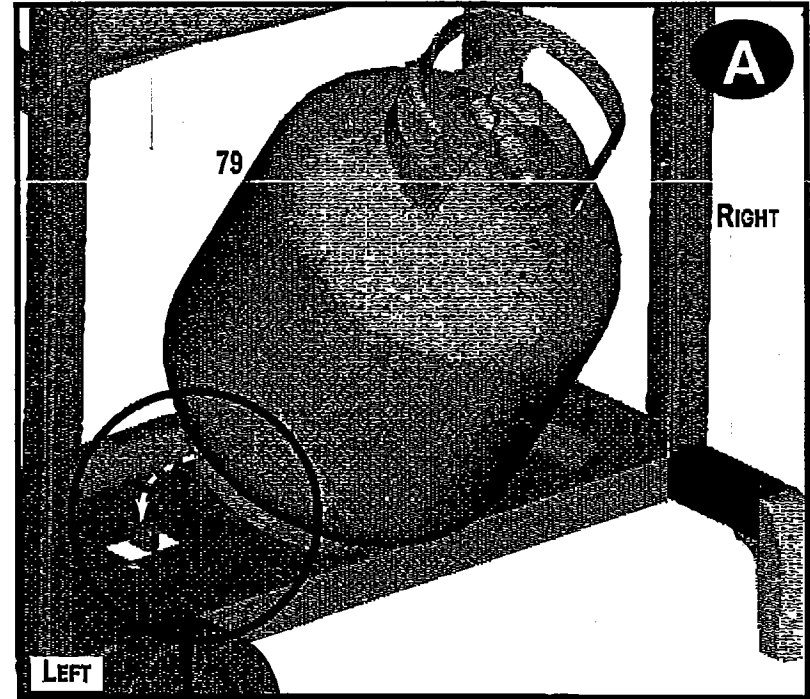
E Set the SIDE BURNER TRIVET (41) on the side burner base matching tabs to the slots.

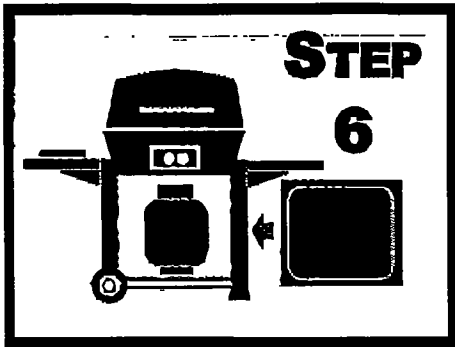
NOTE: Turn side burner trivet until it stops. Before each use, check to see that the side burner trivet is secure.



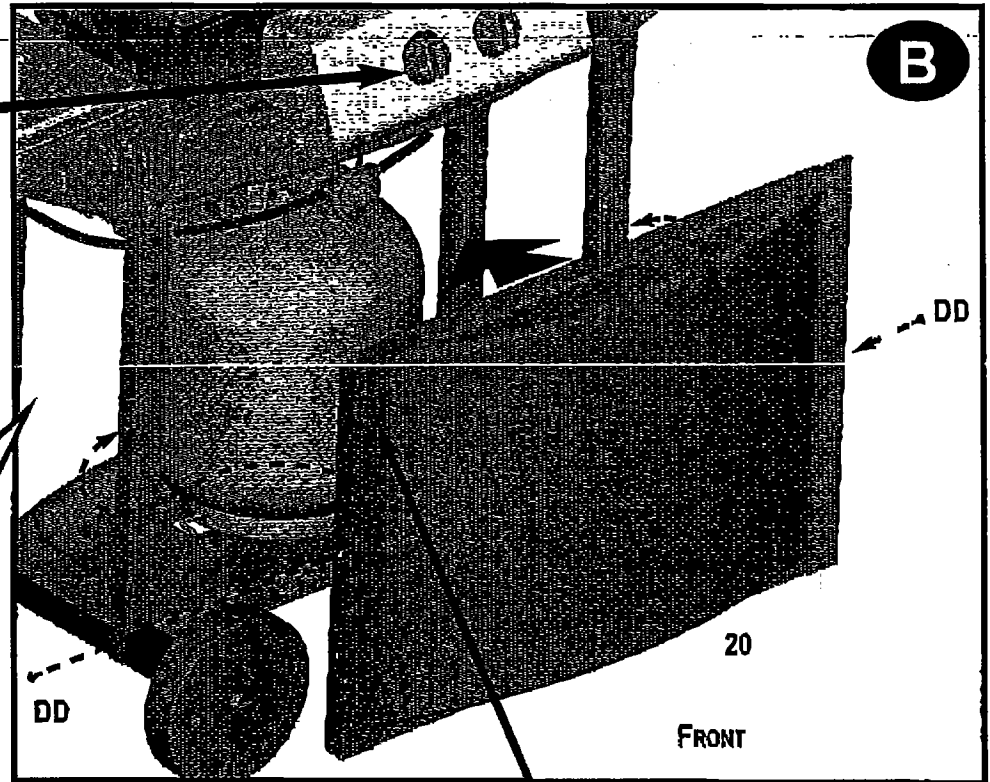


⚠ WARNING:
During assembly of grill and when attaching or replacing the L.P. gas cylinder, insure that the gas supply hose is free of kinks and/or damage and is at least 3" away from hot surfaces such as the grill casting.



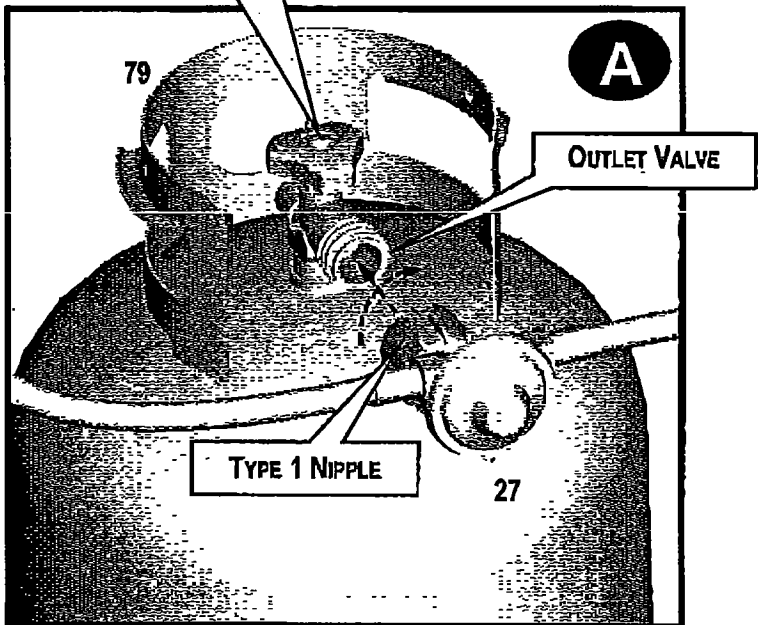


IMPORTANT! TO ENSURE PROPER GAS FLOW, BURNER CONTROL VALVES MUST BE "OFF" BEFORE OPENING THE GAS CYLINDER VALVE.

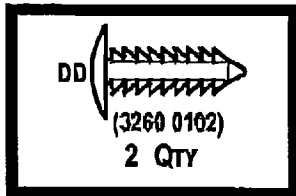
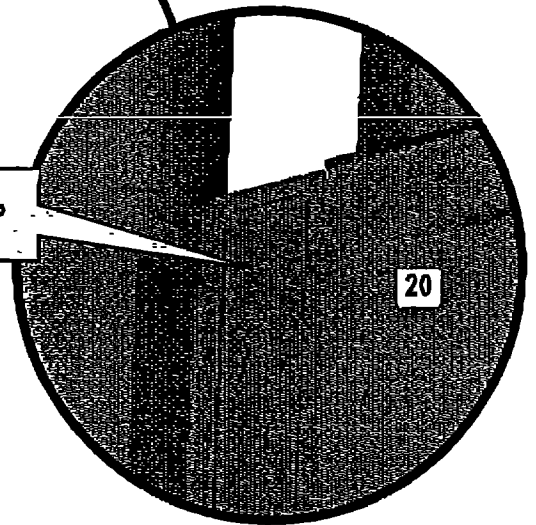


THE CYLINDER CAN BE REMOVED FROM THE BACK OF THE GRILL.

GAS CYLINDER VALVE



C EMBOSS INDICATES THE TOP



LIMITED WARRANTY

Sunbeam Outdoor Cooking ("Sunbeam") warrants that this product will be free from defects in material and workmanship. This warranty applies to the following parts for the following time periods: the aluminum castings are warranted for a **LIMITED LIFETIME** against burn through; the burner is warranted for five (5) years; and all other parts are warranted for one (1) year, except the propane cylinder and paint finish. We **DO NOT WARRANT** in any way the propane cylinder (see label on cylinder for cylinder manufacturer's warranty) or the paint finish of the product. Sunbeam at its option, will repair or replace this product or any component of the product found to be defective during the warranty period. Replacement will be made with a new or remanufactured product or component. If the product is no longer available, replacement may be made with a similar product of equal or greater value. This is your exclusive warranty.

This warranty is valid for the original retail purchaser from the date of initial retail purchase and is not transferable. Keep the original sales receipt. Proof of purchase is required to obtain warranty performance. Sunbeam dealers, service centers, or retail stores selling Sunbeam products do not have the right to alter, modify or any way change the terms and conditions of this warranty.

This warranty does not cover normal wear of parts or damage resulting from any of the following: negligent use or misuse of the product, use on improper voltage or current, use contrary to the operating instructions, disassembly, repair or alteration by anyone other than Sunbeam or an authorized service center. Further, the warranty does not cover Acts of God, such as fire, flood, hurricanes and tornadoes.

Sunbeam shall not be liable for any incidental or consequential damages caused by the breach of any express or implied warranty. Except to the extent prohibited by applicable law, any implied warranty of merchantability or fitness for a particular purpose is limited in duration to the duration of the above warranty. Some states, provinces or jurisdictions do not allow the exclusion or limitation of incidental or consequential damages or limitations on how long an implied warranty lasts, so the above limitations or exclusion may not apply to you. This warranty gives you specific legal rights, and you may also have other rights that vary from state to state or province to province.

DO NOT RETURN THIS PRODUCT TO THE PLACE OF PURCHASE.

Take the product to an authorized Sunbeam service center. You can find the nearest authorized Sunbeam service center by calling 1-800-641-2100.

NOT VALID IN MEXICO.

FOR WARRANTY, SERVICE and PARTS

Locate your model number and serial number on the label found on the back of your grill.

BEFORE USING YOUR GRILL

READ OWNER'S USE AND CARE MANUAL:

- For proper filling and purging of the cylinder
- For leak testing all gas supply connections
- For correct grill lighting instructions
- For use and storage of the grill and cylinder

⚠ WARNING! The edges of sheet metal parts can cause injury if not handled with care. USE EXTREME CAUTION!

⚠ WARNING! WHEN LEAK TESTING:

- DO NOT** smoke.
- DO NOT** use fire to test for leaks.

⚠ DANGER:

NEVER store a spare LP gas supply cylinder under the grill body nor inside grill enclosure to avoid the possibility of an explosion. Refer to the Use and Care manual.

⚠ IMPORTANT:

Be sure to tighten up all hardware (screws, nuts, bolts, etc.) at least once a year or each grilling season.

