

Sunbeam

LOOK INSIDE FOR:

- EASY ASSEMBLY INSTRUCTIONS
- IMPORTANT WARRANTY INFORMATION
- SAFETY AND MAINTENANCE TIPS

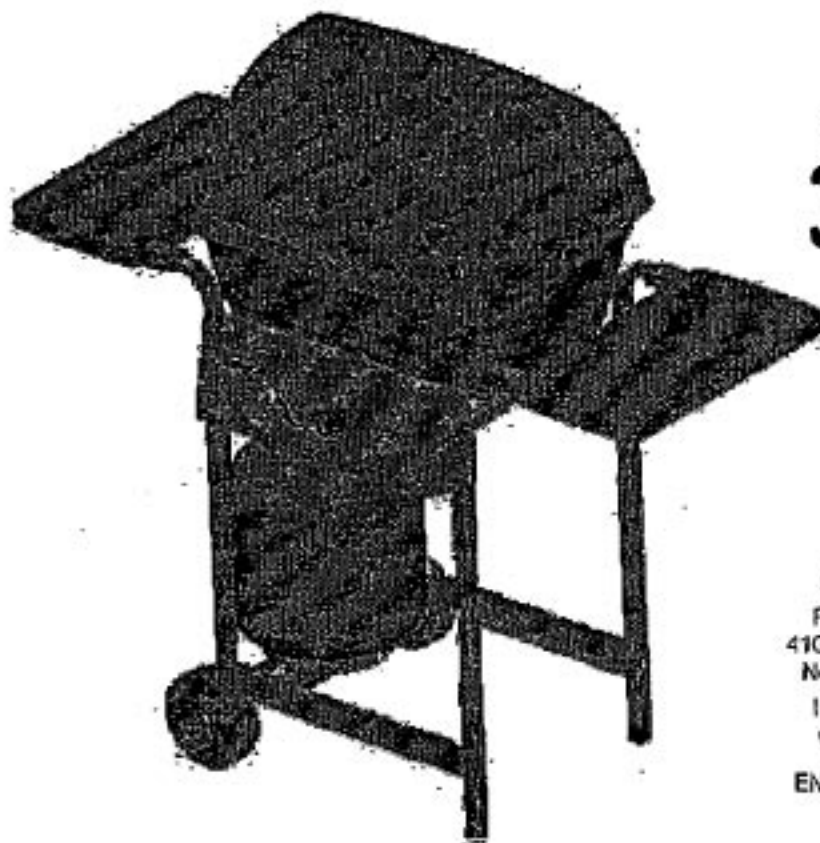
NOTE

- HARDWARE SHOWN ACTUAL SIZE IN MANUAL

FOR YOUR CONVENIENCE, EXTRA HARDWARE MAY BE INCLUDED.



MODEL WG3401



SERIES 340

Sunbeam

PRODUCTS INC.
4101 Howard Bush Dr.
Neosho, Mo. 64850

INTERNET SITE:
www.bbqhq.com

ENGINEERING CODE
SC112633



WARNING:

THE EDGES OF SHEET METAL PARTS CAN CAUSE INJURY IF NOT HANDLED WITH CARE.

USE EXTREME CAUTION!

IMPORTANT!

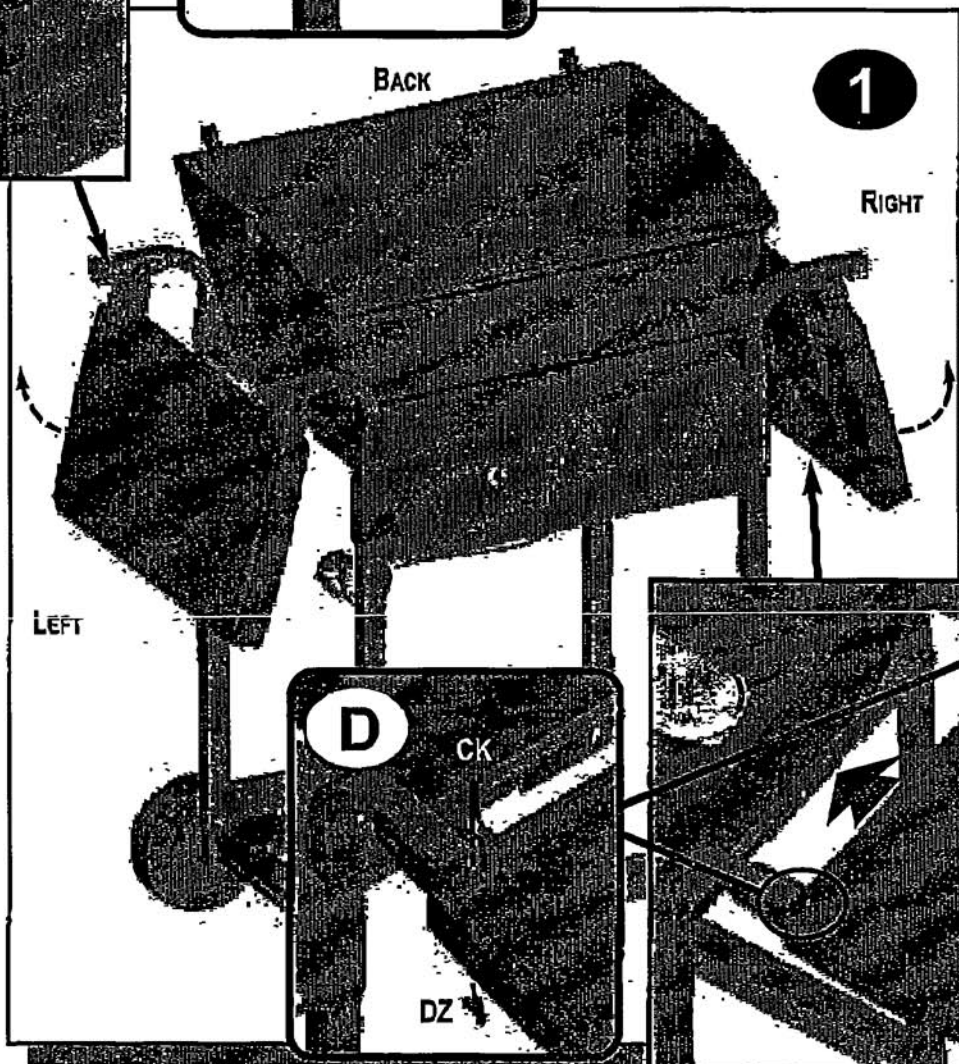
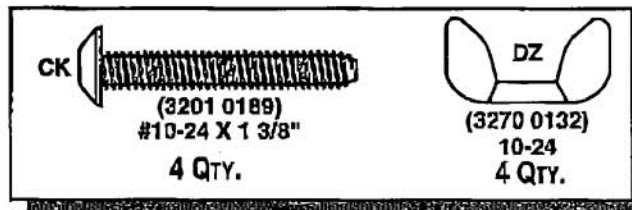
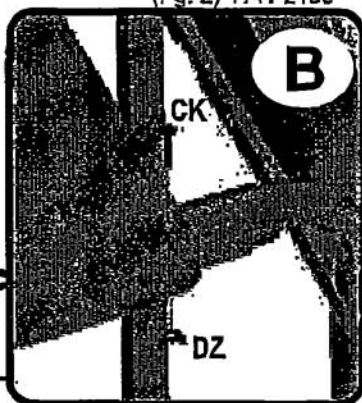
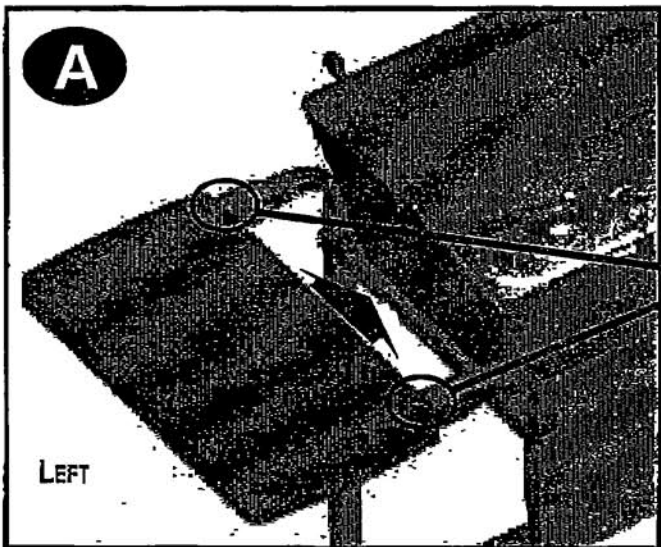
TO ENSURE PROPER GAS FLOW, BURNER CONTROL VALVES MUST BE "OFF" BEFORE OPENING THE GAS CYLINDER VALVE.

ASSEMBLER/INSTALLER:

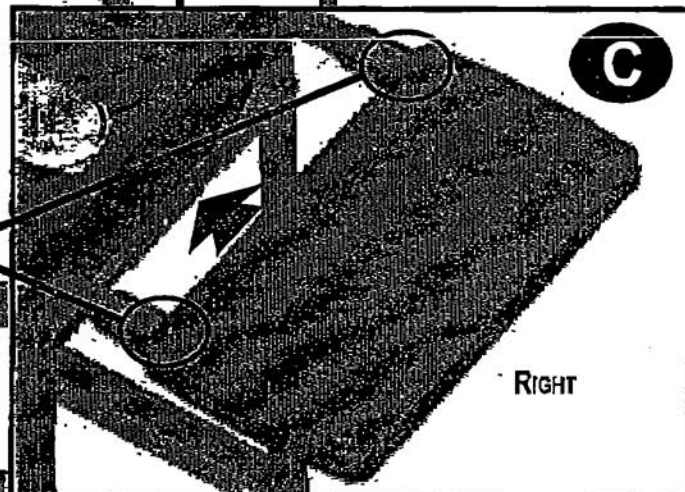
LEAVE THESE INSTRUCTIONS WITH THE CONSUMER.

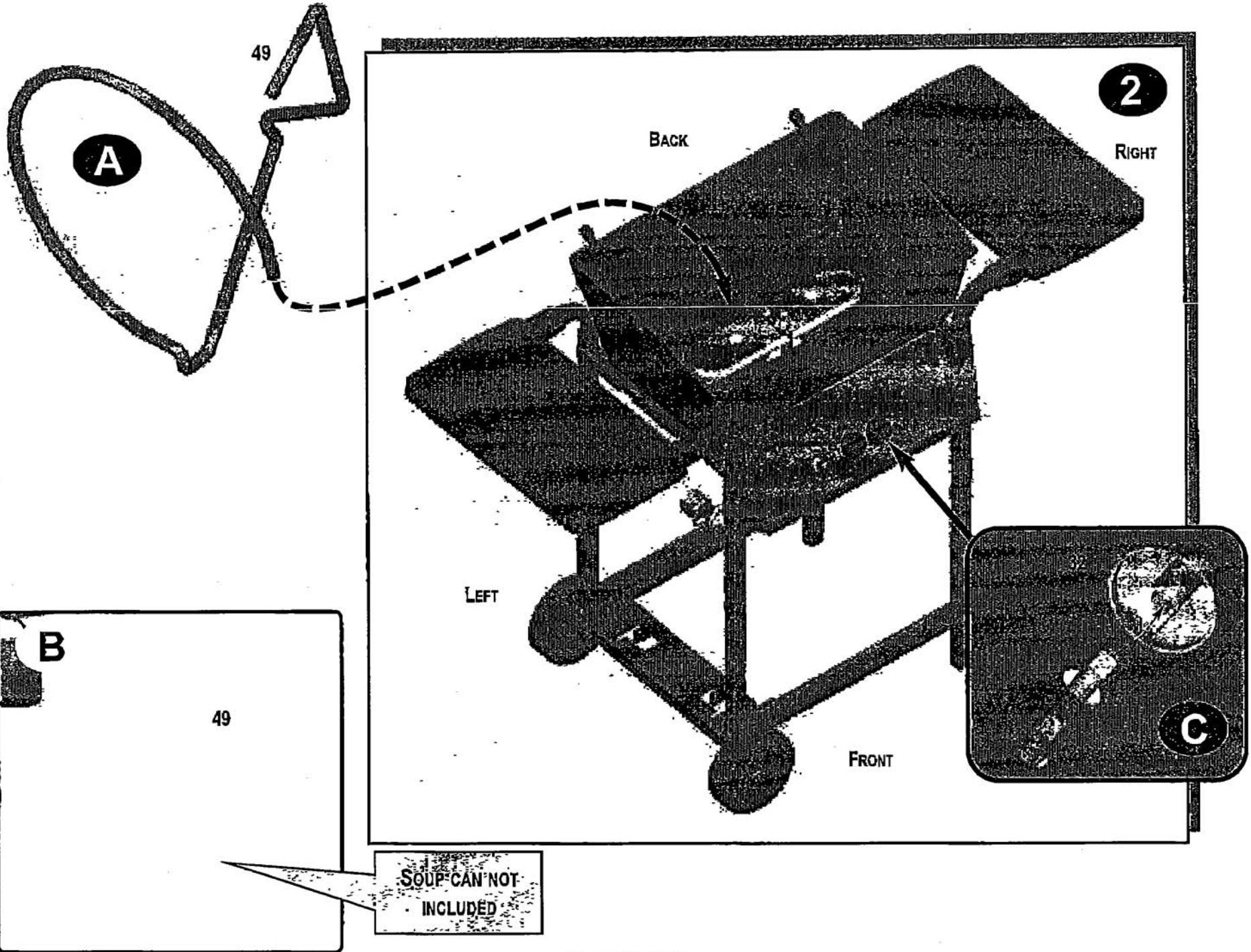
CONSUMER USER:

READ ALL THESE INSTRUCTIONS AND KEEP THEM IN A SAFE PLACE FOR FUTURE REFERENCE.

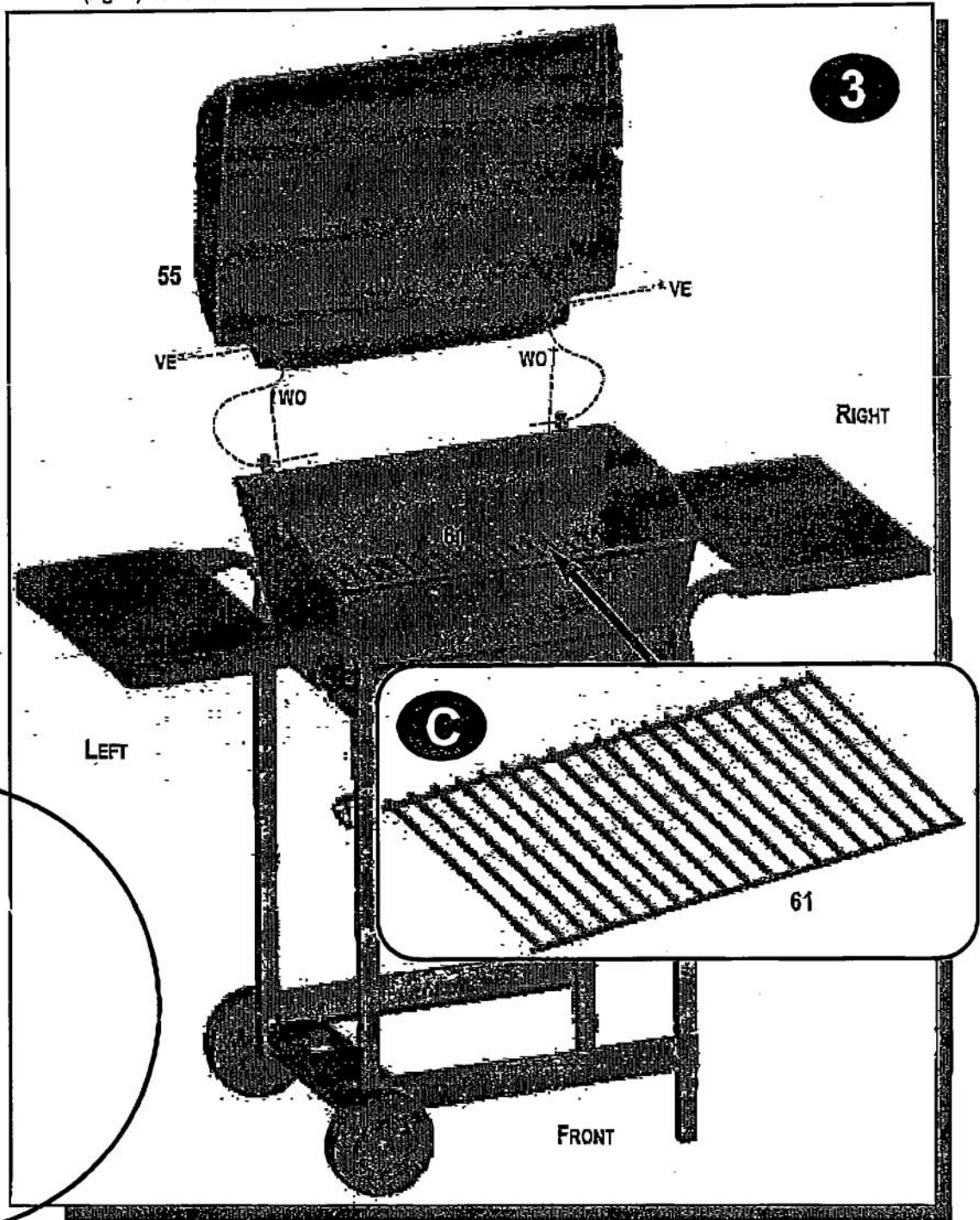
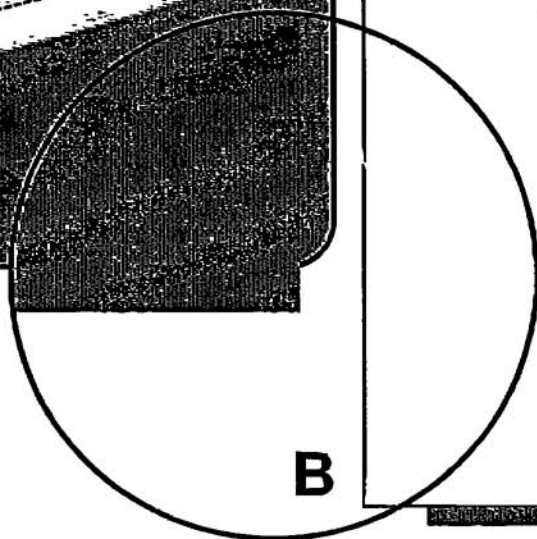
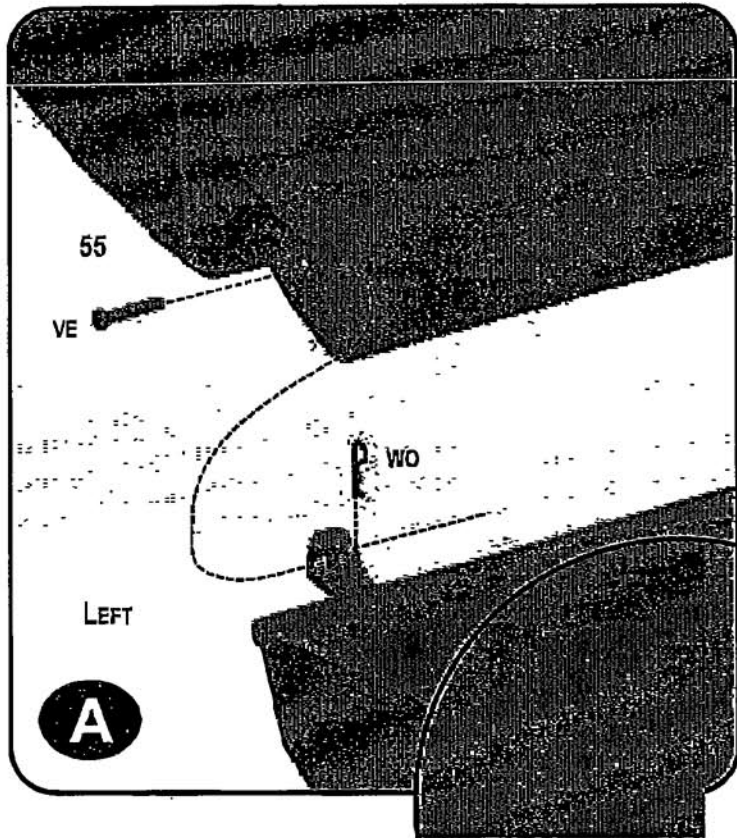
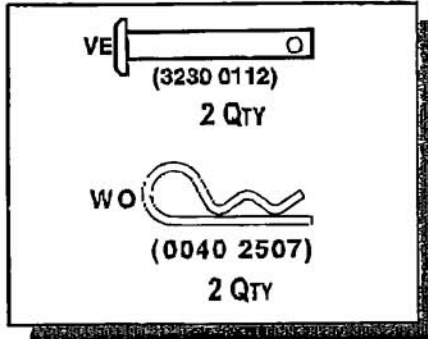


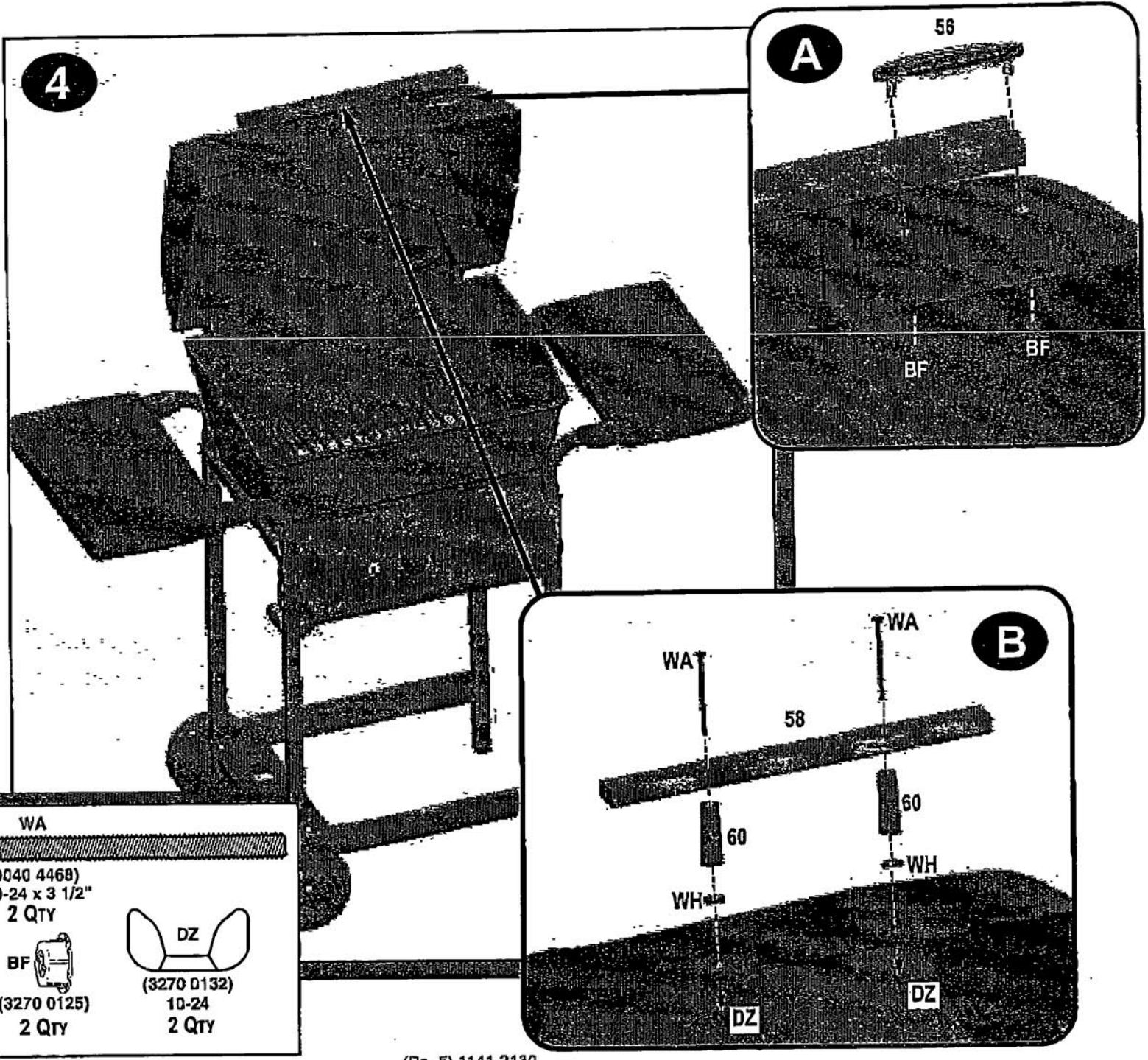
⚠ WARNING:
Combustion by-products produced when using this product contains chemicals known to the State of California to cause cancer, birth defects, or other reproductive harm.


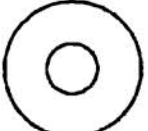

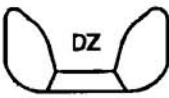




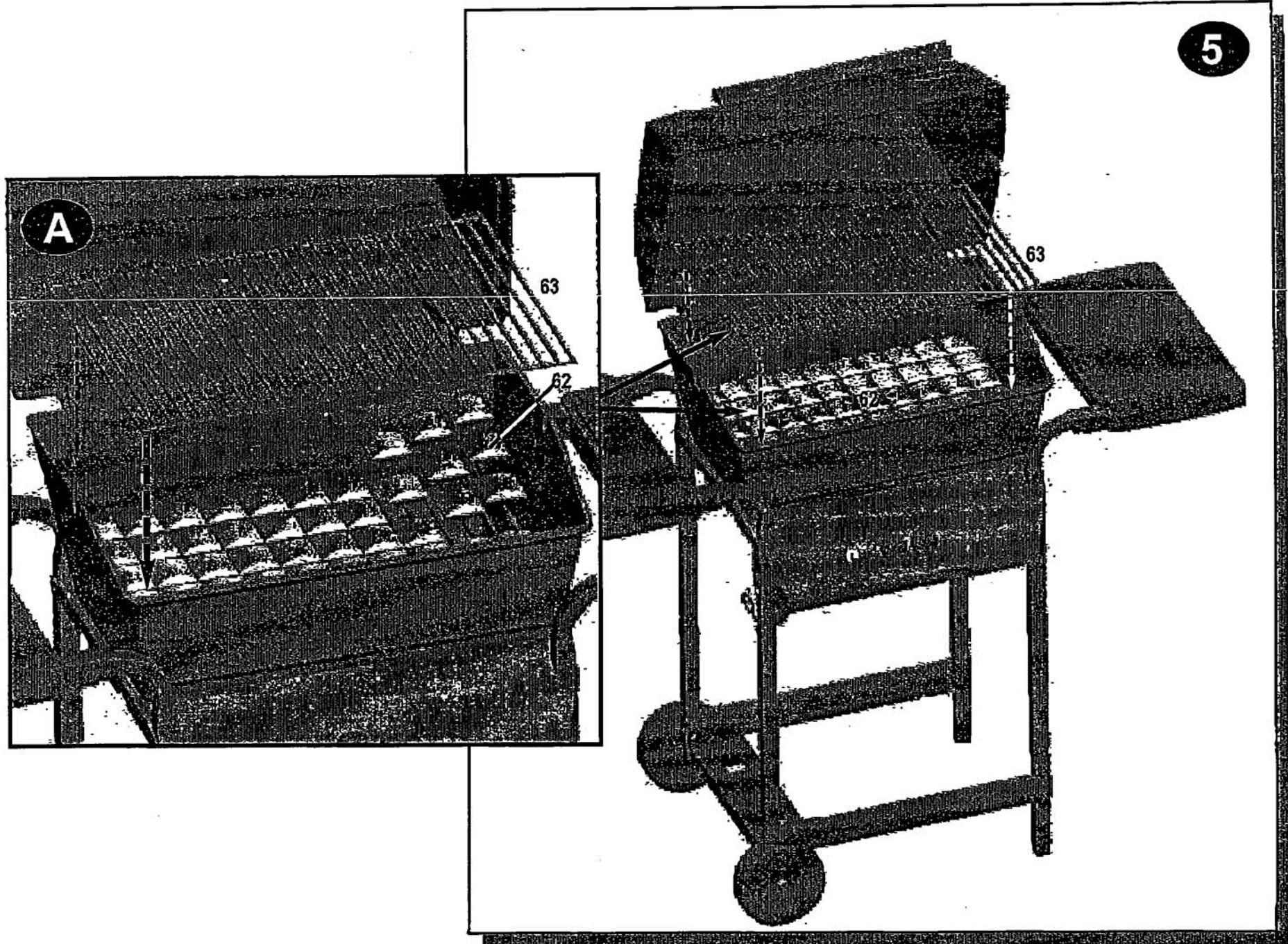
(Fig. 3) 1141-2130

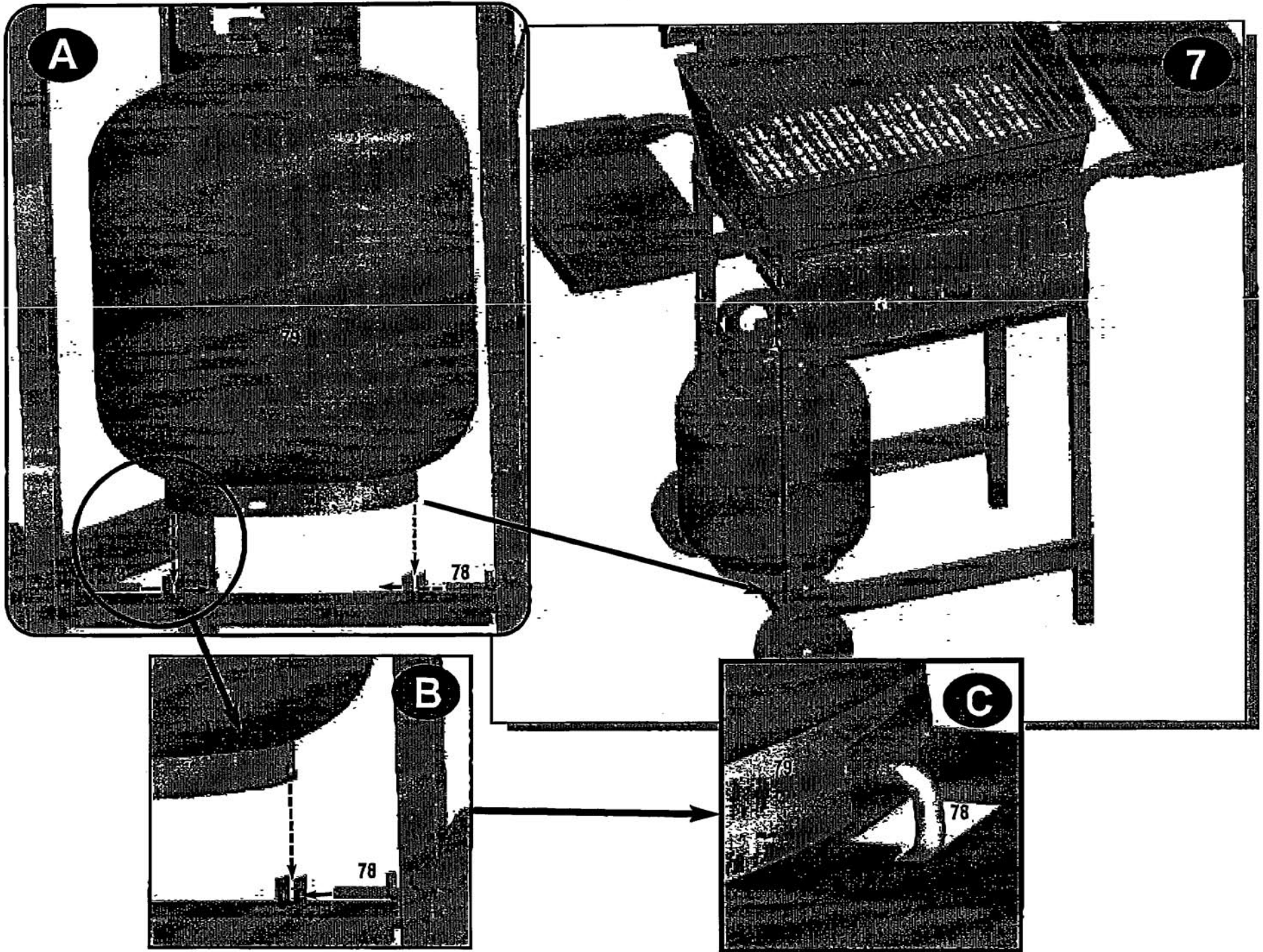




WA		
		
(0040 4468) #10-24 x 3 1/2" 2 QTY		
WH		
(3220 0106) 2 QTY	(3270 0125) 2 QTY	
		(3270 0132) 10-24 2 QTY

(Pg. 5) 1141-2130





(Pg. 7) 1141-2130A

WARNING

During assembly of grill and when attaching or replacing the L.P. gas cylinder, insure that the gas supply hose is free of kinks and/or damage and is at least 3" away from hot surfaces such as the grill casting.

IMPORTANT! ENSURE PROPER GAS FLOW. BURNER REGULATOR VALVES MUST BE SET TO CORRECT PRESSURE. THE GAS CYLINDER VALVE

Gas Cylinder Valve

A

Outlet Valve

Type 1 Nipple

8

