



4637119

**NO TOOLS
REQUIRED!**

If you have questions or need assistance
during assembly, please call
1-800-241-7548.

**Char-Broil.**

ASSEMBLY MANUAL



**This Grill is for
Outdoor Use Only**

Caution:

Read and follow all
Safety Statements,
Assembly Instructions, and
Use and Care Directions
before attempting to
assemble and cook.

Installer / assembler:

Leave these instructions
with consumer.

To Consumer: Keep this
manual for future reference.

▲ WARNING

- Failure to follow all manufacturer's instructions could result in serious personal injury and/or property damage.

▲ CAUTION

- Some parts may contain sharp edges - especially as noted in the manual! Wear protective gloves if necessary.

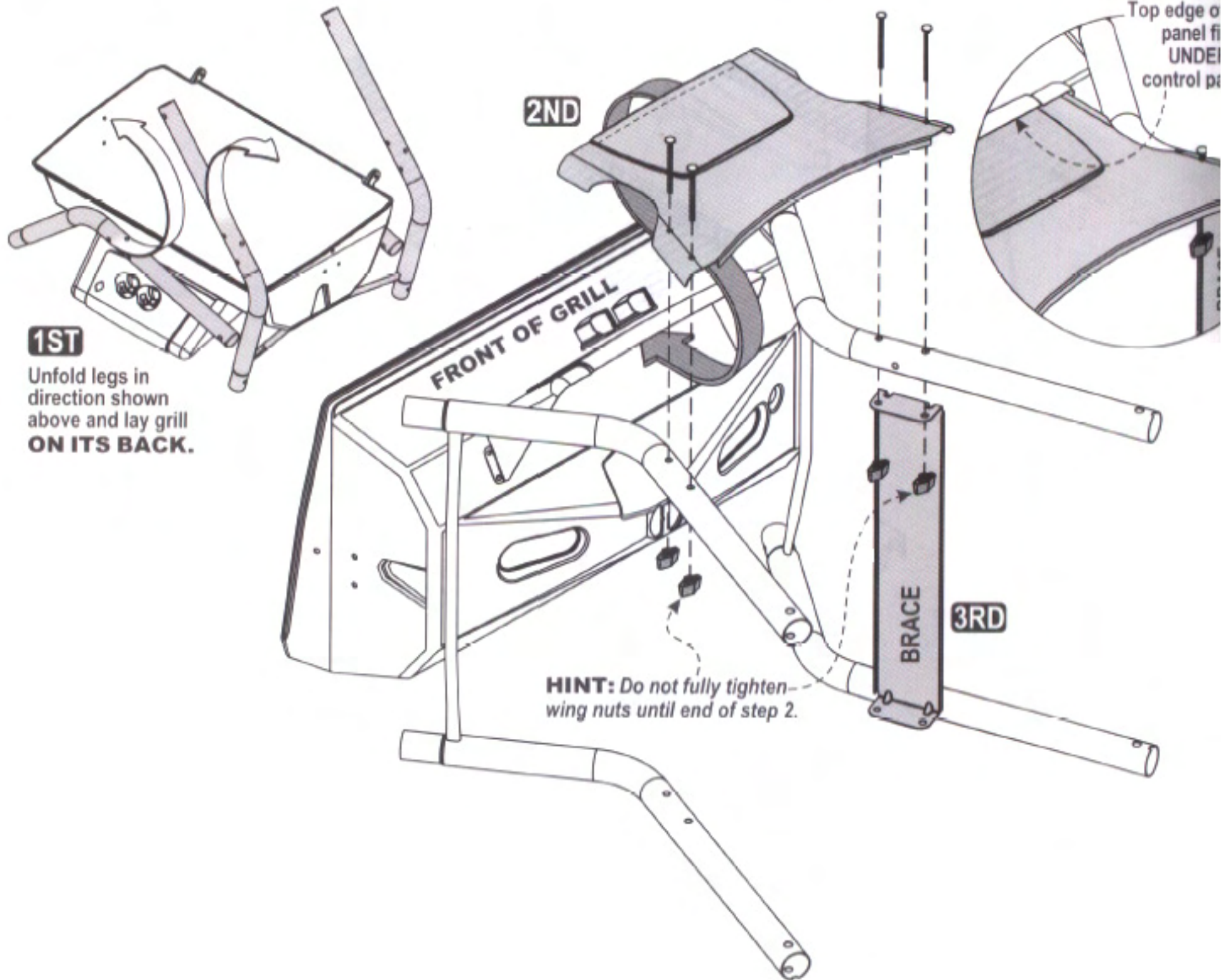
4637119-VA / 0 - 4164896 (02-13-01)

1

1. Unfold legs to position shown, laying grill **ON ITS BACK**. Place top of front panel **UNDER** control panel. Rest lower portion of panel on legs, aligning panel holes with leg holes.

2. Attach panel and brace with four bolts and nuts. **BRACE ATTACHES TO RIGHT SIDE.**

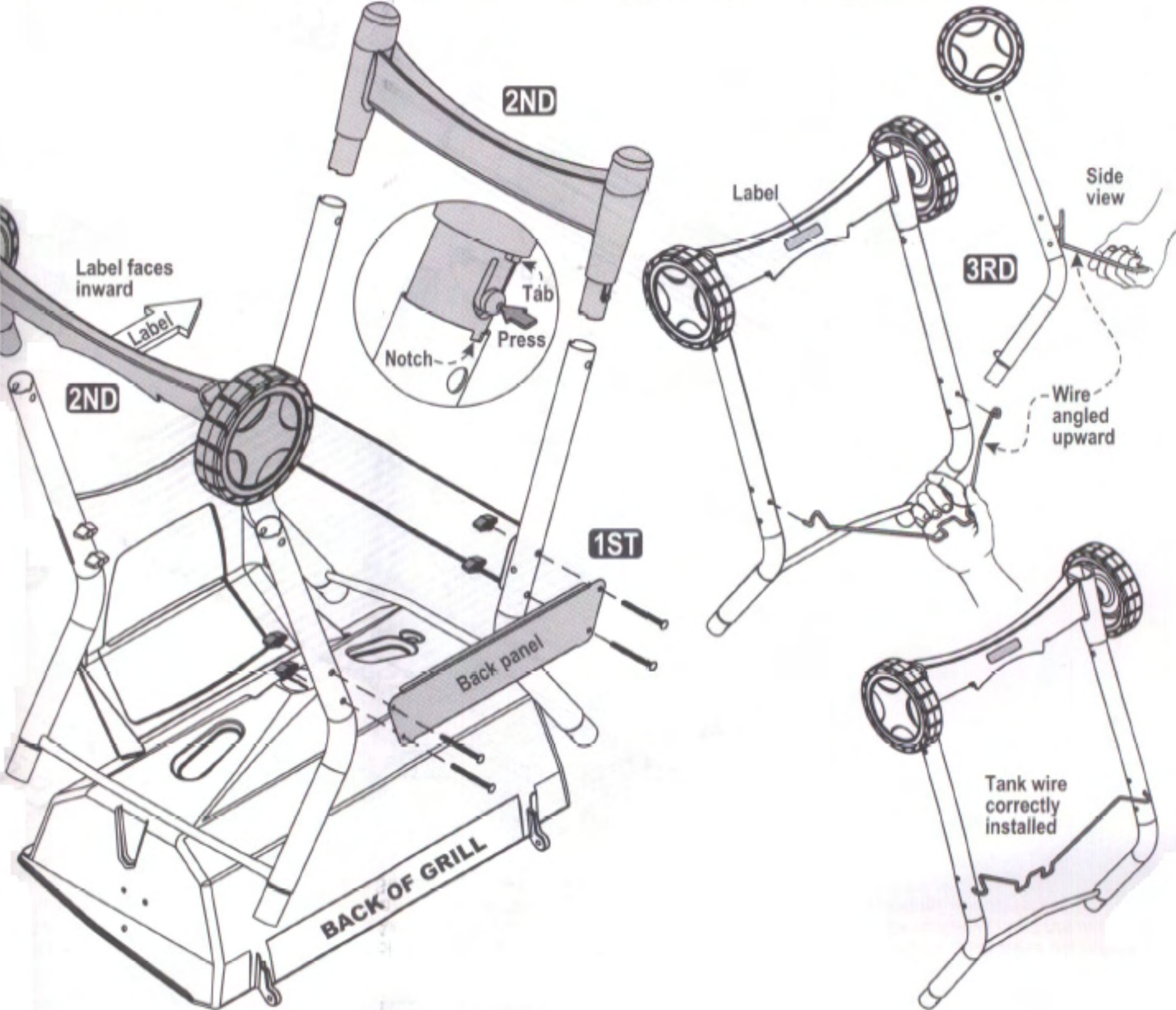
NOTE: To prevent scratching, lay grill on packing material to assemble.



1. Stand grill upside-down and attach back panel to legs and brace with four bolts and nuts.

2. Facing back of grill, depress buttons and snap feet into legs on your right and wheels (label facing inward) into legs on your left. **IMPORTANT:** Align tabs on feet and wheels with notches in legs (see inset).

3. Position tank wire with wire ends toward left legs and ends of wire angled upward. Insert ends of wire into holes on inside of left legs and rotate wire downward.



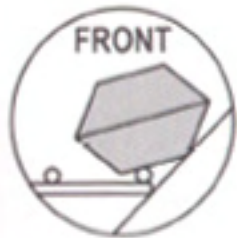
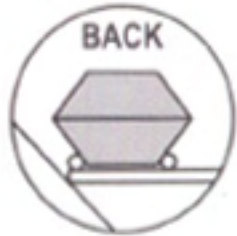
3

1. Place 16 briquets onto briquet grate. Do not layer, just enough to cover grate surface.

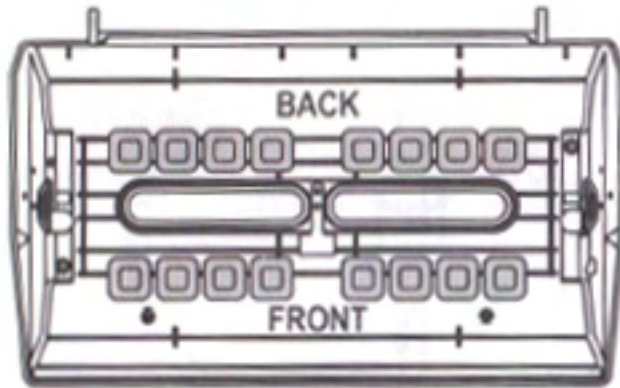
2. Position Drip VapoRISER Bar as shown and place above burner, resting on supports at each end of grill bottom.

3. Place lid onto grill bottom in closed position. Attach with two hinge pins and two hitch pins.

4. Be sure clips are attached to logo plate posts, snap logo plate into grill lid.

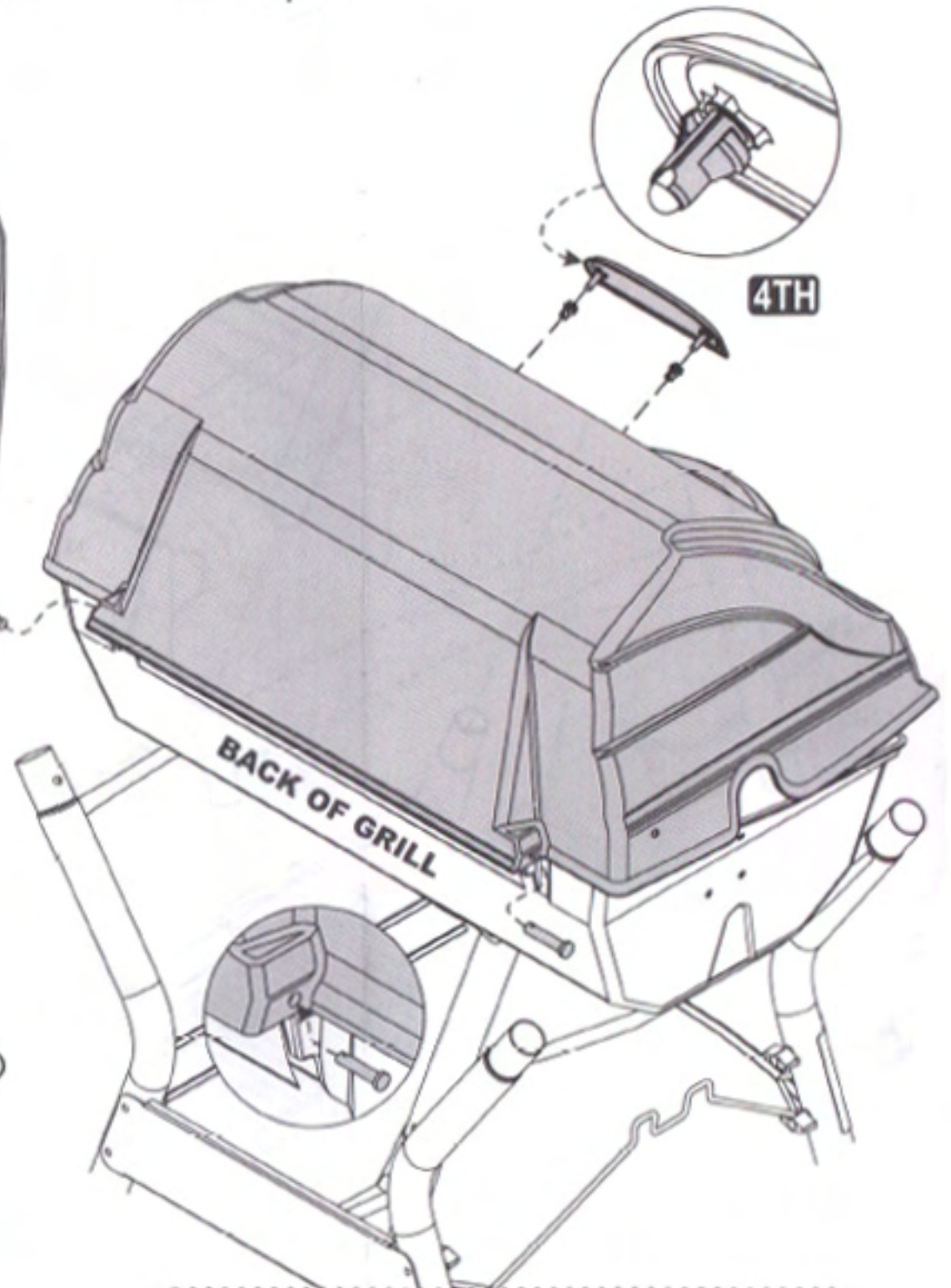
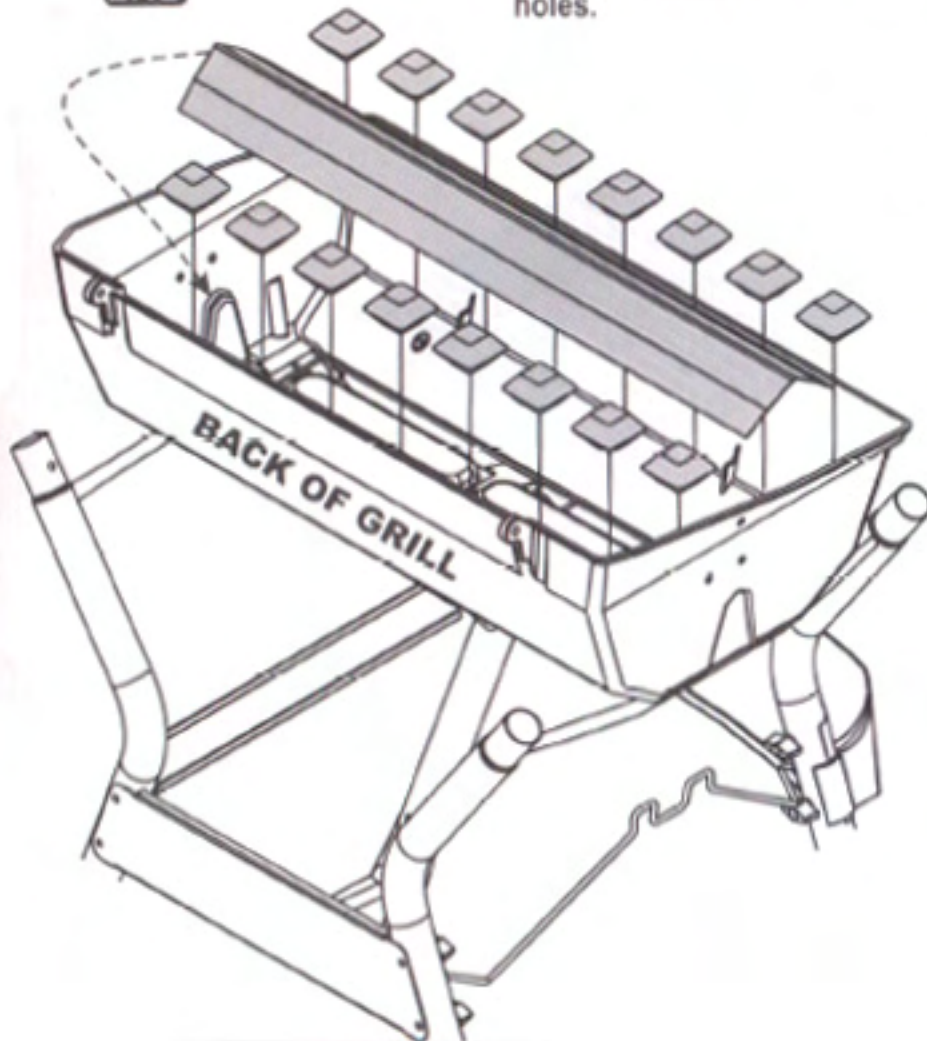


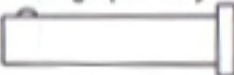
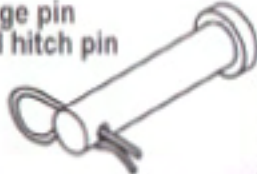
Briquets



1ST Do not let briquets cover burner port holes.

2ND



You may have:  OR  Hinge pin and hitch pin

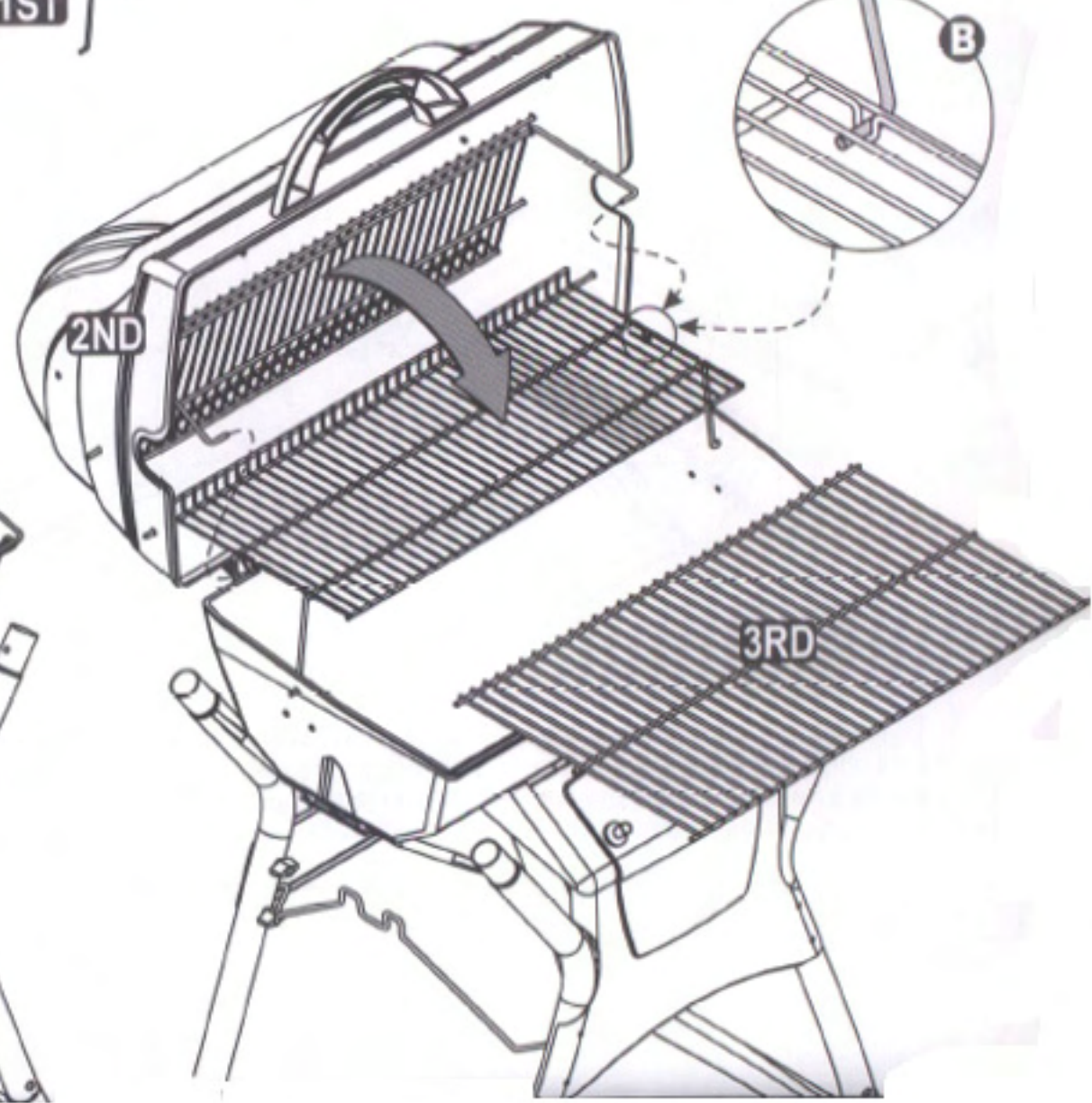
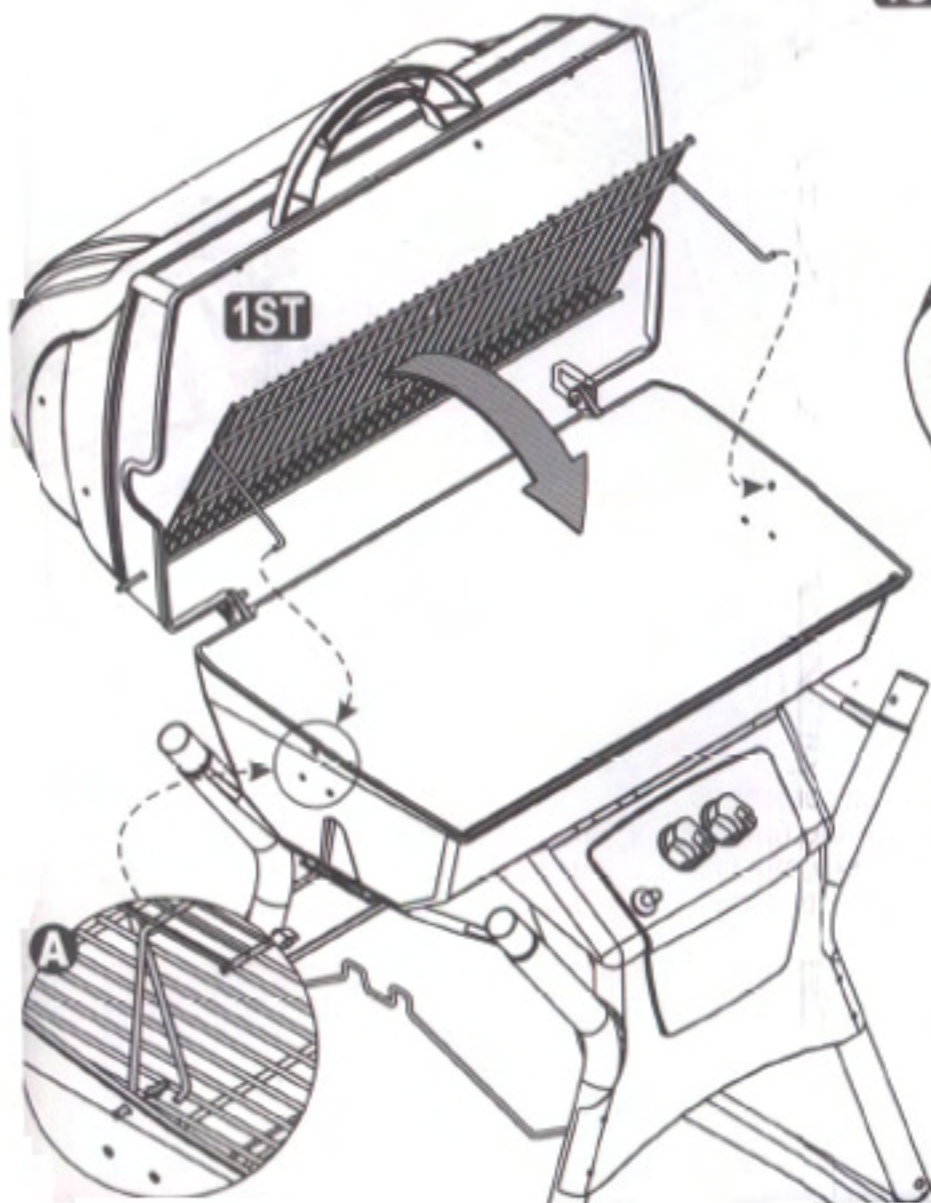
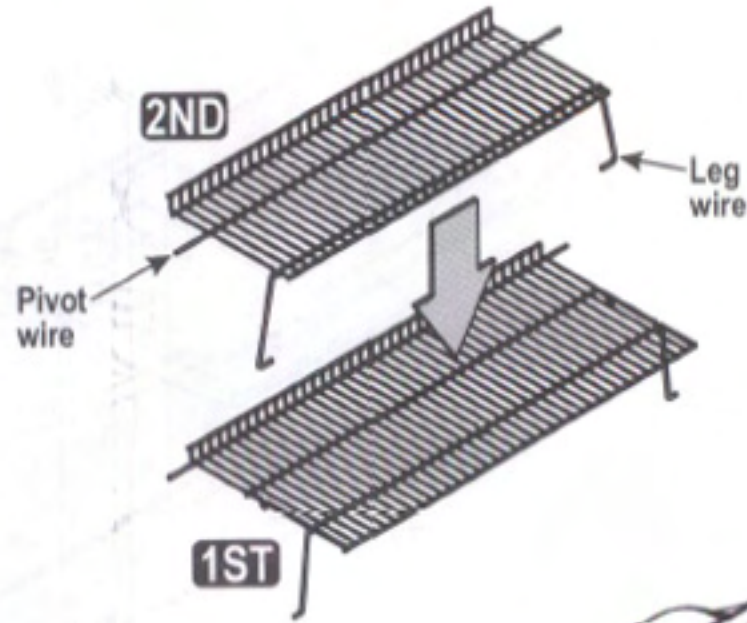
4

1. Insert pivot wire of lower SwingAway into lid as shown. Flex leg wires to insert into grill bottom (see inset A).

2. Insert pivot wire of upper SwingAway into lid. Flex leg wires to insert into loops of lower SwingAway (see inset B).

3. Place cooking grate onto grill bottom.

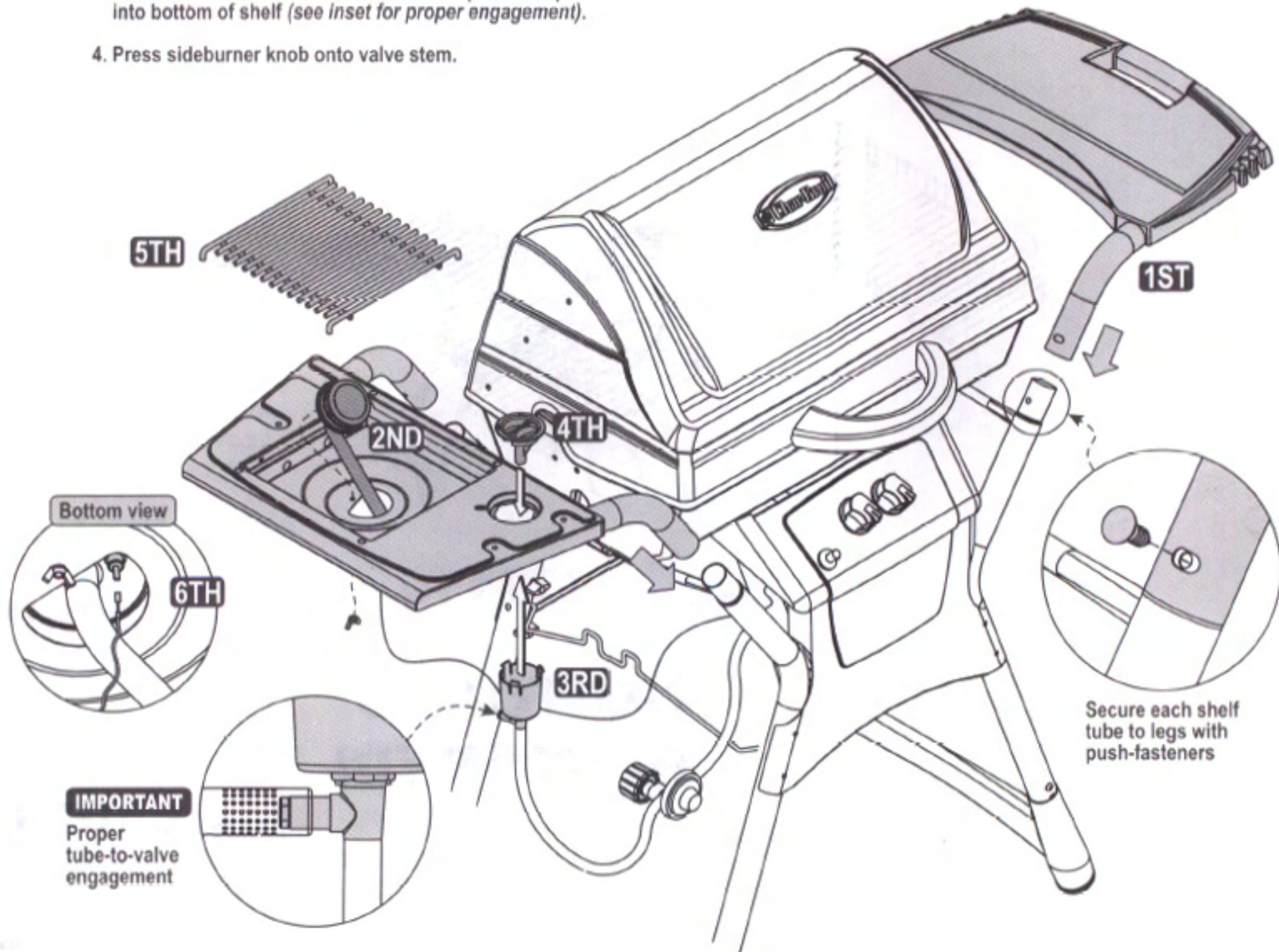
Pivot and leg wires of both SwingAways must run underneath SwingAway surface.



5

1. Attach side shelves (sideburner on left) by sliding shelf tubes over ends of leg tubes. Press firmly so that holes are aligned and secure with push-fasteners.
2. Place sideburner into left shelf as shown. Secure burner to shelf with wing nut.
3. Insert valve into sideburner tube and snap valve cup into bottom of shelf (see inset for proper engagement).
4. Press sideburner knob onto valve stem.

5. Place sideburner grate onto left shelf.
6. Attach long wire from beneath control panel to electrode beneath sideburner.



Secure each shelf tube to legs with push-fasteners

IMPORTANT

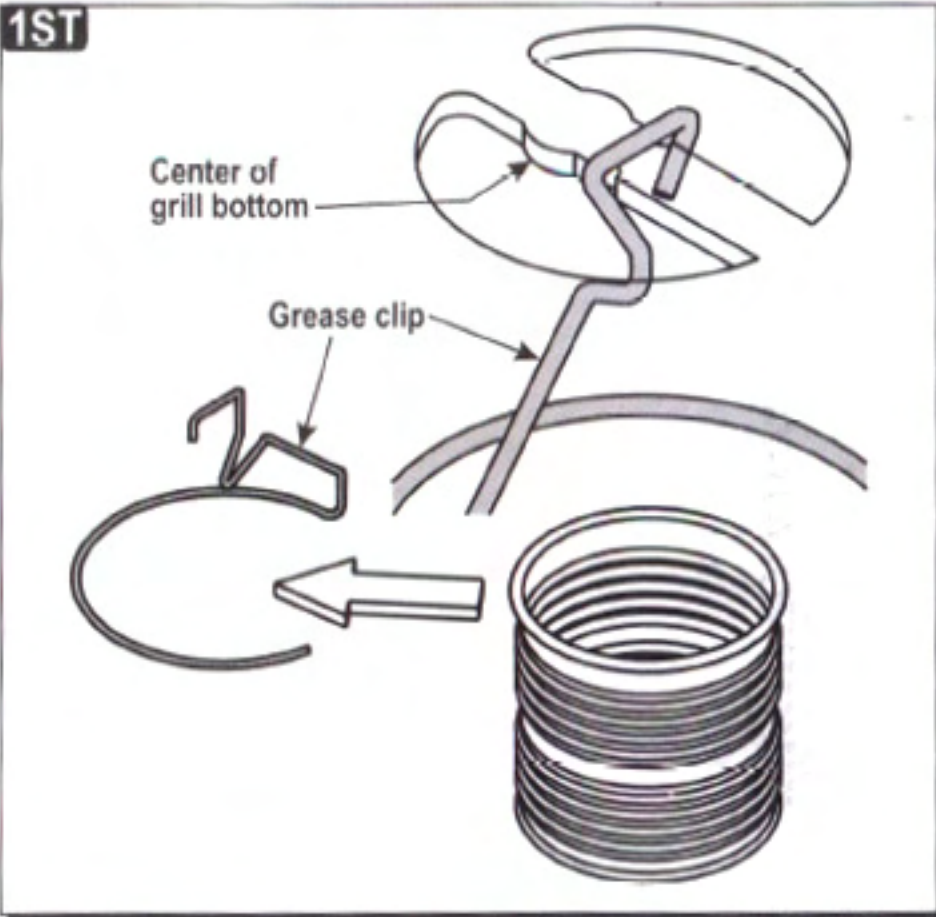
Proper tube-to-valve engagement

6

▲ CAUTION

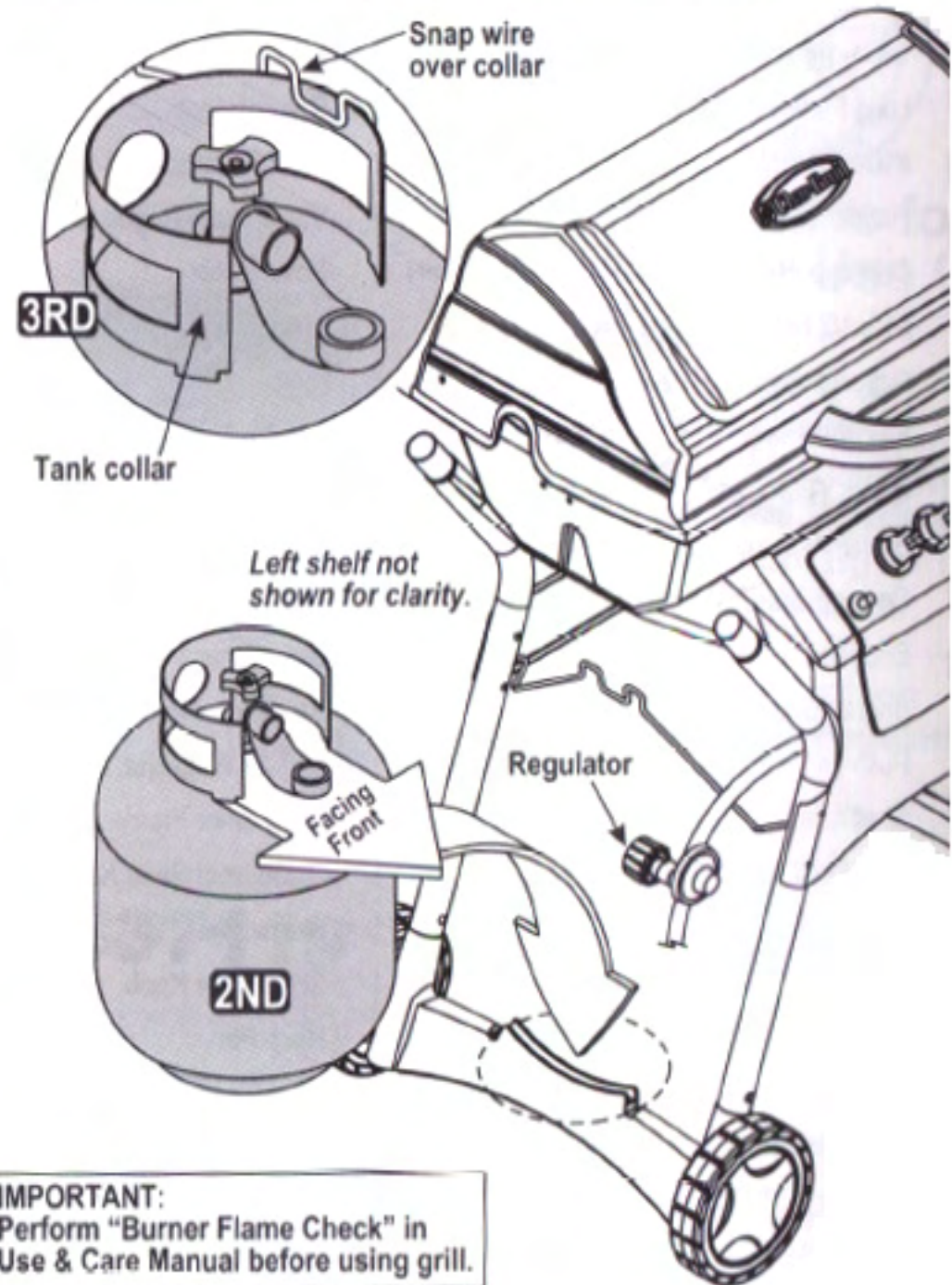
- Failure to install can in clip will cause hot grease to drip from bottom of grill with risk of fire or property damage.

1. Hang grease clip from center of grill bottom. Use an empty soup can (not included) to hang from grease clip.
2. LP GAS TANK IS SOLD SEPARATELY. Fill and leak-check tank before attaching to grill and regulator. See Use & Care Manual.
3. Center base of tank in notches between wheels. Snap tank wire over tank collar as shown in inset. Center section of tank wire should be inside of tank collar.



▲ CAUTION

- Tank collar opening must face to front of cart once tank is attached.
- Failure to install tank correctly may allow gas hose to be damaged in operation, resulting in the risk of fire.



IMPORTANT:
Perform "Burner Flame Check" in
Use & Care Manual before using grill.

See Use & Care Manual for important safety instructions before using.

463711

Parts List - Model 4637119

<u>Key Qty.</u>	<u>Description</u>	<u>Part #</u>	<u>Key Qty.</u>	<u>Description</u>	<u>Part #</u>
A 1	Grill Lid	4580047	CC 1	Console	4525936
B 2	1/4x1-1/8 Hinge Pin	4156513	DD 1	Ignitor	5156113
C 1	Logo Plate w/Clips	4157152	EE 2	Control Knob	4154470
D 2	#10-24 Pal Nut	4080042	FF 2	Valve/Burner Tube Clip	4156172
E 1	Handle	4154488	GG 1	Valve/Hose/Regulator	4524080
F 1	Drip VapoRISER Bar	4156417	HH 1	Front Panel	4503071
G 1	#10x1/2 Self-Tap Screw	4080059	II 1	Wheel Assembly	4158097
H 1	Collector Box	4500208	JJ 1	Feet	4154467
I 1	Electrode	5156119	KK 1	Bottom SwingAway	4152124
J 1	Ignitor Wire	4153720	LL 1	Top SwingAway	4156448
K 1	Burner Assembly	4505008	MM 1	Sideburner Grate	4156376
L 1	Cooking Grate	4152739	NN 2	#6-32x3/8 Self-Tap Screw	4080361
M ---	Briquets	4159300	OO 1	Sideburner Valve Cup	4154476
N 1	Briquet Grate	4157101	PP 1	Sideburner Ignitor Wire	5156109
O 4	Push Fastener	4080679	QQ 1	#10-24 Wing Nut	4080063
P 2	Shelf Arm	4150404	RR 1	Sideburner Frame	4500026
Q 1	Side Shelf	4154454	SS 1	Sideburner Shelf Assembly	4503073
R 4	#10x1-1/4 Screw	4080041	TT 1	Sideburner	5068013
S 8	1/4-20x2 Carriage Bolt	4080044	UU 1	Sideburner Knob	4154471
T 1	Back Panel	4503070	VV 2	Hitch Pin	4080062
U 8	1/4-20 Wing Nut	4080061			
V 1	Grill Bottom	4580077			
W 8	#10-24x1/2 T20 Screw	4080043			
X 2	Casting Seat Bracket	4150406			
Y 2	Leg Assembly	4503064			
Z 1	Tank Wire	4156152			
AA 1	Grease Clip	5156607			
BB 1	Brace	4503093			

For replacement of components

G, H, I, J, DD, and PP, order

Ignition Module Bag **4506710**