

# ***FIRENZY***

## ***OUTDOOR FIREPLACE***

MODEL 02505740 / 03505784

# **Assembly Instructions**

Rev. 08/01/02



p/n 42802105



**CAUTION ! This unit is heavy.**

Tools needed: Adjustable wrench and screwdriver.

**DO NOT** assemble without a helper.



**WARNING !** Do not use this unit on a wood deck or on combustible surfaces such as dry grass, leaves, mulch, etc. Do not use this unit near heat sensitive or combustible structures such as vinyl or wood siding.

**WARNING**

**CARBON MONOXIDE HAZARD**

Burning charcoal inside can kill you. It gives off carbon monoxide, which has no odor.

**NEVER** burn wood or charcoal inside homes, vehicles or tents.



**CAUTION!**

Read and follow all Safety Statements, Warnings, Assembly Instructions and Use & Care directions before attempting to assemble.



**CAUTION!**

Some parts may contain sharp edges. Wear protective gloves as necessary.

# STOP!

## Missing a part? No Need To Go Back To The Store!

The store where you made your purchase  
does not stock parts for this item.

If you need parts,  
whether they are missing or damaged,  
call the Customer Service  
toll free Help Line.

Call us and we will gladly ship the  
part you need  
**FREE OF CHARGE.**

## Call Our Help Line 1-800-232-3398

### OUTDOOR FIREPLACE PARTS LIST

Description	Quantity	Part Number
Hardware Bag	1	42000001
10-24 x 1/2" Combo, Truss Head Screw	18	
10-24 KEPS Nuts	18	
Leg	4	29000006
Fire Box	1	29000003
Side Panel	2	29000028
Door	2	29000029
Top Cap	1	29000030

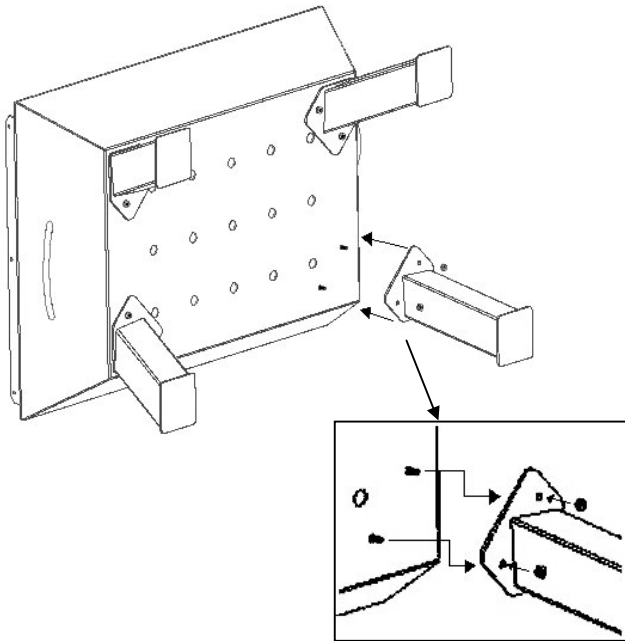
### LIMITED WARRANTY

The manufacturer warrants this *fireplace* for replacement or repair of parts and or workmanship for a period of 90 days. The manufacturer warrants to the original *Fireplace* owner repair or replacement of the pan only, should "burn-out" or "rust-through" occur for a period of 1 year. Paint is not warranted and will require touch-up.

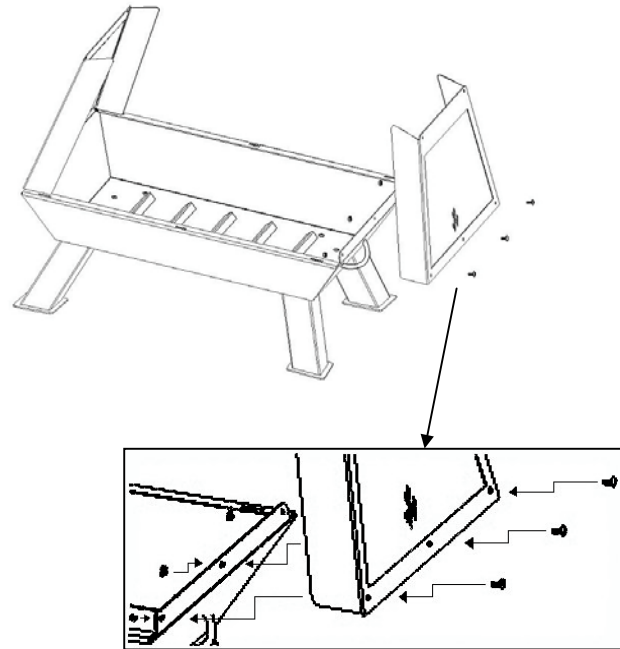
These limited warranties are made exclusively to the original customer presenting proof of purchase. These warranties are limited to non-commercial usage. Any returned goods must be clearly marked with the manufacturers *Return Authorization Number* and shipped prepaid. These limited warranties do not cover normal wear and tear, damages resulting from abuse or mis-use. This warranty excludes incidental or consequential cost due to damage or losses to persons or property of any nature.

NOTICE: Some states do not allow the exclusion or limitation of incidental or consequential damages or limitations on how long an implied warranty lasts, so the above limitations or exclusions may not apply to you. This warranty gives you specific legal rights and you may also have other legal rights which may vary from state to state.

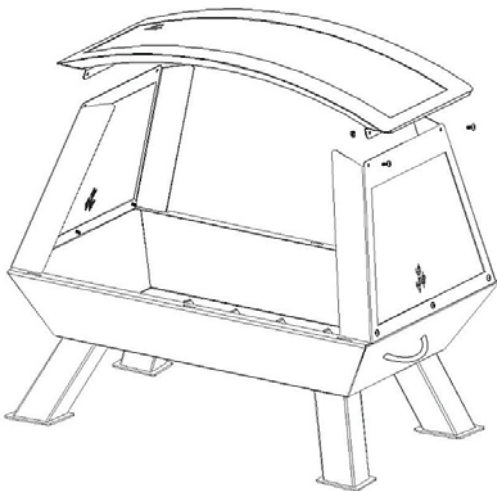
**STEP 1.** With the aid of a helper, stand firebox on its side and attach legs (as shown) using 2 #10-24 x 1/2" Combo truss head screws from the inside of firebox and 2 #10-24 KEPS nuts. After all legs are attached and tight, set fireplace upright on legs to complete remaining steps.



**STEP 2.** Attach 1 side panel to each short end of firebox using 3 #10-24 x 1/2" Combo truss head screws from the outside of firebox and attach 3 #10-24 KEPS nuts to screws from the inside. Tighten all screws and nuts.



**STEP 3.** Set the top cap assembly down onto the side panels. Make sure the side panels are on the outside of the top cap mounting flange. Attach top cap using 2 #10-24 x 1/2" Combo truss head screw per side and 2 #10-24 KEPS nuts. Attach screws from outside of fireplace (as shown). Tighten all screws and nuts.



**STEP 4.** Insert remaining two side panels into slots (as shown). Your Outdoor fireplace is now ready for use.

