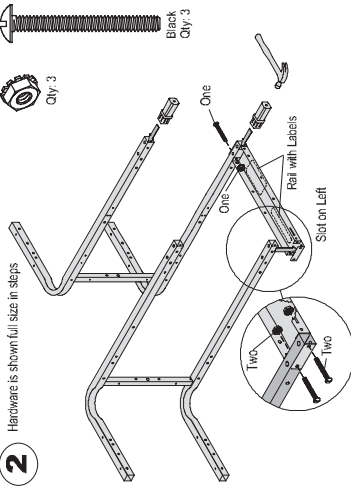


1

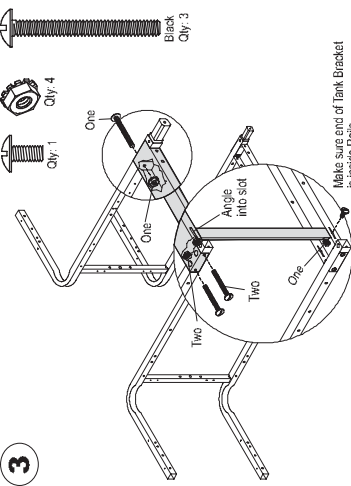


This label contains the model and serial number for your grill. You should write this information on page 2 of the LP Gas Grill Use and Care in the "Warranty Information" box.

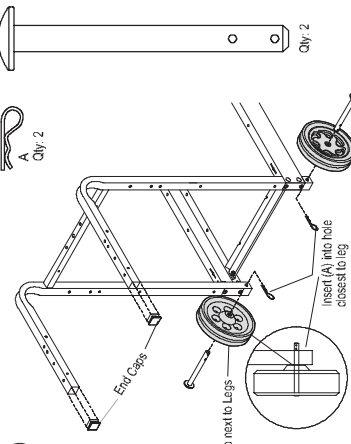
2



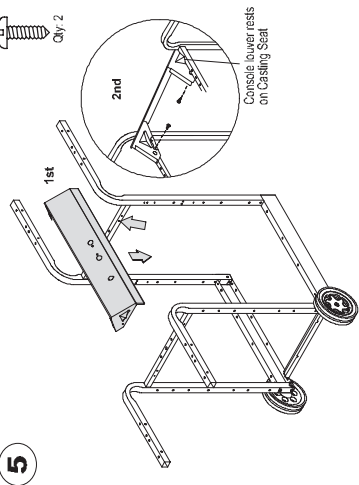
3



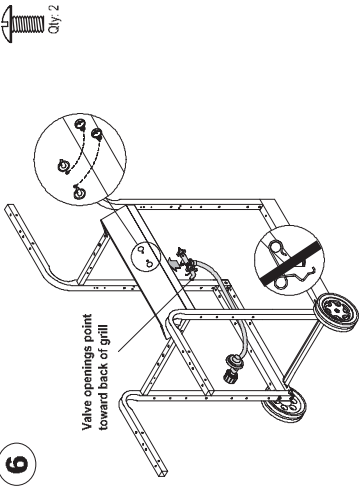
4



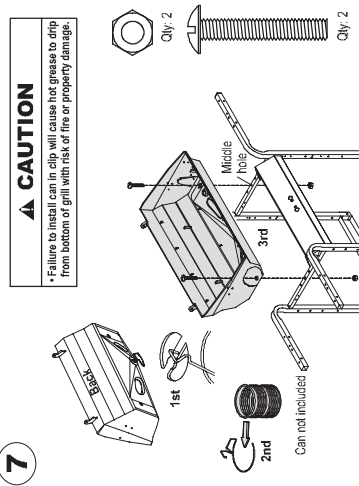
5



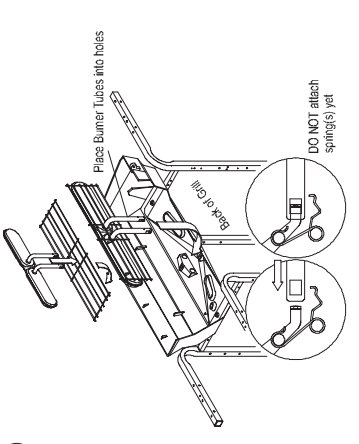
6



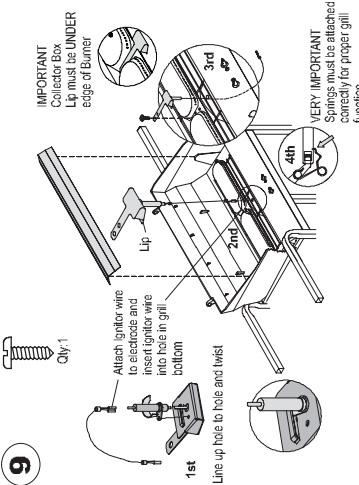
7



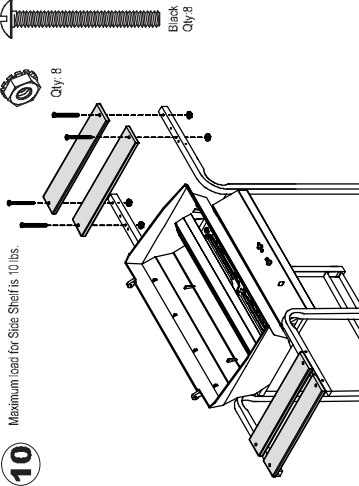
8



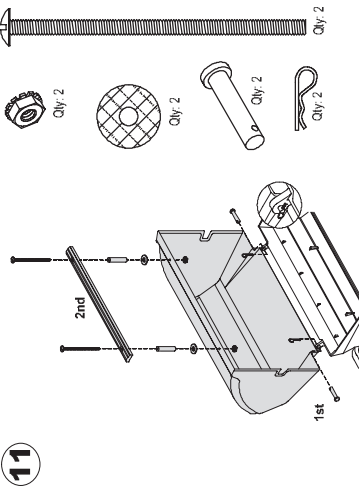
9



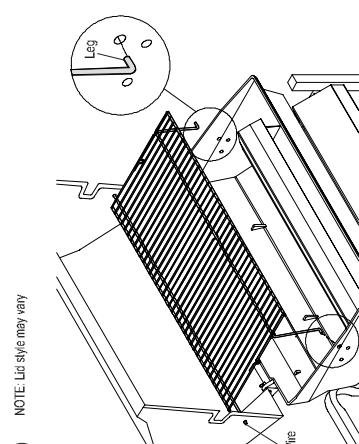
10



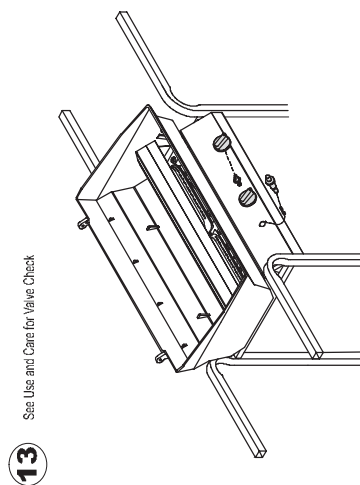
11



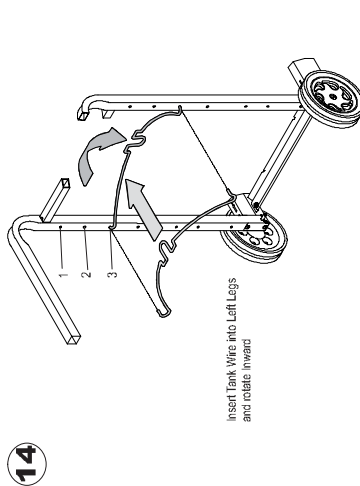
12



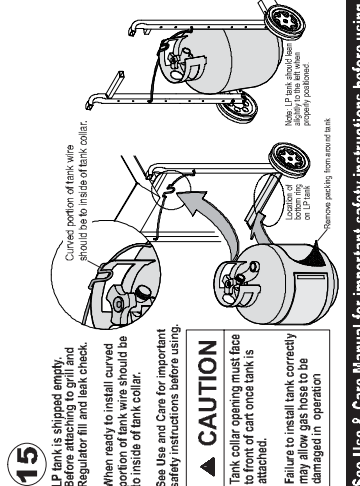
13



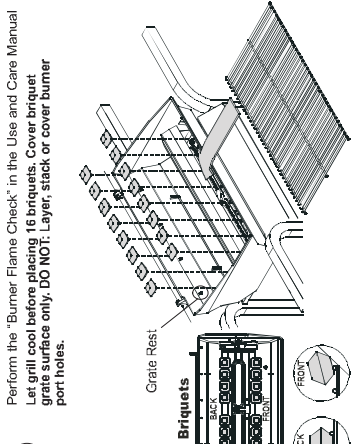
14



15



16



See Use & Care Manual for important safety instructions before using.