

1 Remove end of rating label located on your grill's back panel (see parts list to identify) and apply to your warranty card in box B5. If label cannot be removed, write the numbers on your warranty card.

NEVER Store a spare near this barbecue. **NEVER** fill the tank or the cooking chamber or vent. **NE JAMAIS** remplir le barbecue avec du gaz. **NE JAMAIS** remplir le réservoir de cuisson ou le ventilateur. **NE JAMAIS** stocker un réservoir de gaz près de cet appareil.

Model Number: 4618226

Serial Number: 4618226

This label contains the model and serial number for your grill. You should also write this information on page 2 of your Use and Care Manual in the "Warranty Information" box.

2

1. Detach legs to position stove, laying grill **ON ITS BACK**. Place top of front panel **UNDER** control panel. Fasten lower portion of position legs, aligning panel holes with leg holes.

2. Attach panel with four bolts and four nuts. **LEAVE NUTS ON RIGHT SIDE LOOSE.**

IMPORTANT! To prevent scratching, lay grill on packing materials inside.

3

1. Slide grill upside down and, facing back of grill, attach back panel using two (2) bolts and four nuts on the back and two (2) bolts, spacer, and two nuts on front. **LEAVE NUTS ON RIGHT SIDE LOOSE.**

2. Facing back of grill, depress lock and on spring mechanism. Push top of front panel forward to evenly level legs and insert into slot. **IMPORTANT!** Align tabs with notches in legs.

4

1. Position lock wire with side ends. Insert lock legs on inside of wire angled upward. Insert ends of wire into holes on inside of leg and rotate wire downward.

5

1. Place 18 briquets into briquet grate. Arrange briquets as shown below.

2. Position drip liquid collector on burner and place above burner, setting at supports of each end of grill bottom.

Briquet Placement

FRONT BACK

Do not use briquets. Cover burner port holes.

6

1. Place briquet grate below. Attach with fastening pins.

2. Insert handle into grill lid. Reach with two wing nuts.

3. Be sure clips are attached to legs prior to grill lid. Snap legs into grill lid.

4. Place heat indicator bar under handle on outside of grill lid. Secure with handle and wing nuts. Tighten wing nuts to secure wing nut on handle.

7

1. Install front panel by sliding hooked hooks over leg bolts on right side. On rear leg, hook ends must be between panel and not fully visible on side.

8

1. Insert front wire of lower warming rack into lid as shown. Flip leg wires to insert into grill bottom (see Part A).

2. Insert front wire of upper warming rack into lid. Flip leg wires to insert into loops of lower rack (see Part B).

3. Place cooking grate into grill bottom.

9

1. Insert right side shaft by sliding shaft between rear ends of leg tubes. Press firmly so that tubes are aligned. Secure with leg post fasteners.

10

1. Install side burner shelf by sliding shelf tubes over ends of leg tubes. Press down on shelf tubes to align. Secure with two push fasteners.

2. Place side burner into shelf as shown. Secure with side wing nut.

3. Insert valve into side burner tube and wire valve cap into bottom of shelf (see next for proper engagement).

4. Place side burner knob onto valve stem.

5. Place side burner into shelf.

6. Attach long wire from control panel to valve stem.

11

1. **UP AND DOWN IS SOLD SEPARATELY. PLEASE READ CAREFULLY BEFORE ATTACHING TO GRILL AND LEGS. See Use & Care Manual.**

2. Center base of tank in notch between wheels. Strap tank into over tank collar as shown in inset. Center section of tank wire should be inside of tank collar.

CAUTION

- Tank collar opening must face to front of propane tank to attach.
- Failure to install tank correctly may allow gas leaks to develop in operation, resulting in the risk of fire.

See Use & Care Manual to perform "Burner Flame Check" and for important safety instructions before using.

12

1. Snap bottom shelf panels into front and rear legs. Pull down wheel assembly and leg extension assembly.

2. Hang grass clip from center of grill bottom. Use always step on post including to hang from grass clip.

CAUTION

Failure to install use in step will cause hot grass to slip into bottom of grill with risk of fire or property damage.

13

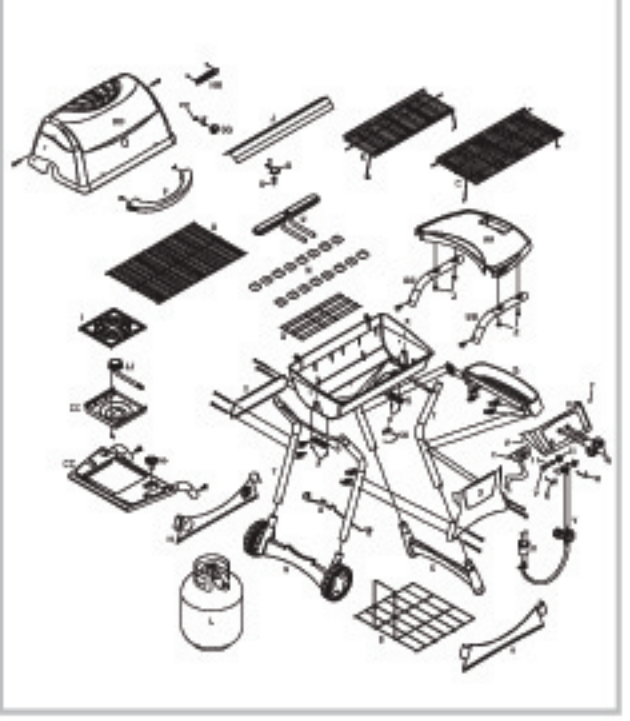
1. Place bottom shelf into cart with lid end to the left.

2. Insert handle at front and rear of shelf into holes in shelf posts.

3. Place battery into holder in control panel (positive + and negative - wires go into bottom of holder).

Parts List - Model 4618226

Qty	Qty	Description	Part #	Qty	Qty	Description	Part #
A	1	Tank Wire	4151000	M	2	Control Knob	4154470
B	1	Bottom Shelf	4151001	X	1	Call Bottom	4051740
C	1	Lower Warming Rack	4152125	Y	1	Call Panel	4052094
D	1	Cooking Grate	4152141	Z	4	#10x1/8" Self-Tap Screw	4055941
E	1	Leg Extension Assembly	4154405	AA	1	Side Shelf	4154405
F	1	Handle	4154416	BB	2	Shelf Wire	4052101
G	1	Carburetor Bracket	4154405	CC	1	Sideburner Shelf Assembly	4052037
H	1	Bottom Shelf Front Cap	4154508	DD	1	Call Lid	4051036
I	1	Sideburner Cap	4151172	EE	1	#10x24 Wing Nut	4055032
J	1	Drip/Vapor SCR Bar	4154419	FF	1	Sideburner Knob	4154471
K	1	Upper Warming Rack	4154442	GG	1	Heat Indicator with Bracket	4155800
L	1	UP Gas Valve	4158115	HH	1	Legs Plate Assembly	4151744
MM	1	Wheel Assembly	4152100	II	1	Suburban Delivery Pack	4151020
NN	1	Knob (1/8")	4158125	JJ	1	Sideburner	9098120
OO	1	Front Panel	4503232	KK	1	Grass Clip	5155807
PP	6	#10x1/2" S-20 Self-Tap Screw	4285914	LL	1	Hardware Bag	4055800
QQ	1	Delight Grate	4151002	MM	1	Hardware Bag - Cook Grates	4055800
RR	2	Wire Clip	4158172	NN	1	Replacement Upper Warming Rack	9098207
SS	2	Cooking Grate Bracket	4503232				
TT	2	Leg Assembly	4052105				
UU	1	Control Panel Assembly	4503239				
VV	1	Control Panel Assembly	4503215				



QUICKSET™
4618226
ASSEMBLY MANUAL

THIS GRILL IS FOR OUTDOOR USE ONLY

CAUTION: Read and follow all safety instructions, assembly instructions, and use and care directions before attempting to assemble and cook.

INSTALLER/ASSEMBLER: Leave these instructions with consumer.

CONSUMER: Keep this manual for future reference.

WARNING
Failure to follow manufacturer's instructions could result in serious personal injury or death.

CAUTION
Some parts may contain sharp edges - especially as noted in the manual. Wear protective gloves if necessary.

If you have any questions or need assistance during assembly, please call 1-800-341-7444.

NO TOOLS REQUIRED

4618226-1-4618226-1 (12-2-06)

THERMOS.