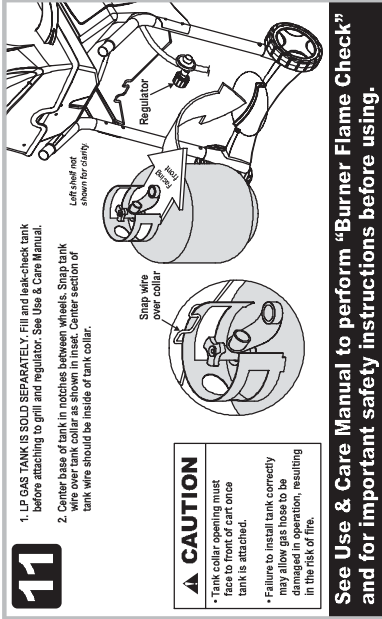


10

1. Place sideburner into shelf as shown. Secure with one wing nut.
2. Place sideburner grate onto shelf.
3. Insert valve into sideburner tube and snap valve clip into bottom of shelf (see inset for proper engagement).
4. Press sideburner knob onto valve stem.
5. Place sideburner grate onto shelf.
6. Attach long wire from beneath control panel to electrode beneath sideburner.

13

1. Place bottom shelf into cart. With tail end to the left.
2. Insert hooks at front and rear of shelf into holes in shelf panels.



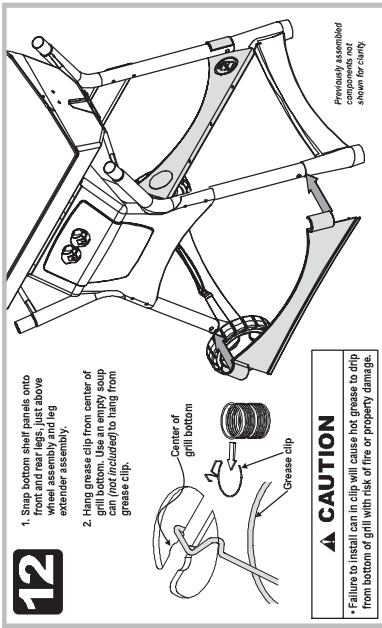
11

1. LP GAS TANK IS SOLD SEPARATELY. Fill and leak-check tank before attaching to grill and regulator. See Use & Care Manual.
2. Center base of tank in notches between wheels. Snap tank wire over tank collar as shown in inset. Center section of tank wire should be inside of tank collar.

CAUTION

- Tank collar opening must face to front of cart once tank is attached.
- Failure to install tank correctly may allow gas hose to be damaged in operation, resulting in the risk of fire.

See Use & Care Manual to perform "Burner Flame Check" and for important safety instructions before using.



12

1. Snap bottom shelf panels onto front and rear legs, just above wheel assembly and leg extender assembly.
2. Hang grease clip from center of grill bottom. Use an empty soup can (not included) to hang from grease clip.

CAUTION

- Failure to install can in clip will cause hot grease to drip from bottom of grill with risk of fire or property damage.

Parts List - Model 4637241

Key Qty.	Description	Part #	Key Qty.	Description	Part #	
A	1	Bottom Shelf	W	1	Grill Bottom	4580147
B	1	Lower Warning Rack	X	1	Back Panel	4500251
C	1	Cooking Grate	Y	1	Sideburner Shelf Assembly	4520024
D	1	Leg Extender Assembly	Z	4	#10x1-1/4" Self-Tap Screw	4080041
E	1	Handle	AA	1	Side Shelf	4154453
F	1	Condition Basket	BB	2	Shelf Arm	4502124
G	1	Bottom Shelf Panel Set	CC	1	Grill Lid	4581974
H	1	Tank Wire	DD	1	Sideburner Knob	4154471
I	1	Sideburner Grate	EE	1	Logo Plate Assembly	4157147
J	1	Dip Vaporizer Bar	FF	1	Sideburner	5056017
K	1	Upper Warning Rack	GG	1	Grease Clip	5156607
L	1	Wheels (1 bag)		1	Hardware Bag	4253590
M	...	Brackets (1 bag)			Replacement Ignition Module Bag	4506710
N	1	Front Panel				
O	6	#10x12" T-20 Self-Tap Screw				
P	2	Valve Clip				
Q	1	Bracket Grate				
R	2	Casting Seat Bracket				
S	2	Leg Assembly				
T	1	Burner/Collector Assembly				
U	1	Control Panel Assembly				
V	2	Control Knob				

NO TOOLS REQUIRED

QUICKSET®
4637241
ASSEMBLY MANUAL

THIS GRILL IS FOR OUTDOOR USE ONLY

CAUTION: Read and follow all safety statements, assembly instructions and use and care directions before attempting to assemble and cook.

INSTALLER/ASSEMBLER: Leave these instructions with consumer.

CONSUMER: Keep this manual for future reference.

WARNING
Failure to follow all manufacturer's instructions could result in serious personal injury and/or property damage.

CAUTION
Some parts may contain sharp edges - especially as noted in the manual! Wear protective gloves if necessary. If you have any questions or need assistance with assembly, please call 1-800-241-1758.

Visit us on the web at www.charbroil.com

Char-Broil

4637241 / 10-464887 (10-07-02)