

1

**NOTE:** To prevent scratching, lay grill on packing material to assemble.



This label contains the model and serial number for your grill. You should write this information on page 2 of the LP Gas Grill Use and Care in the "Warranty Information" box.

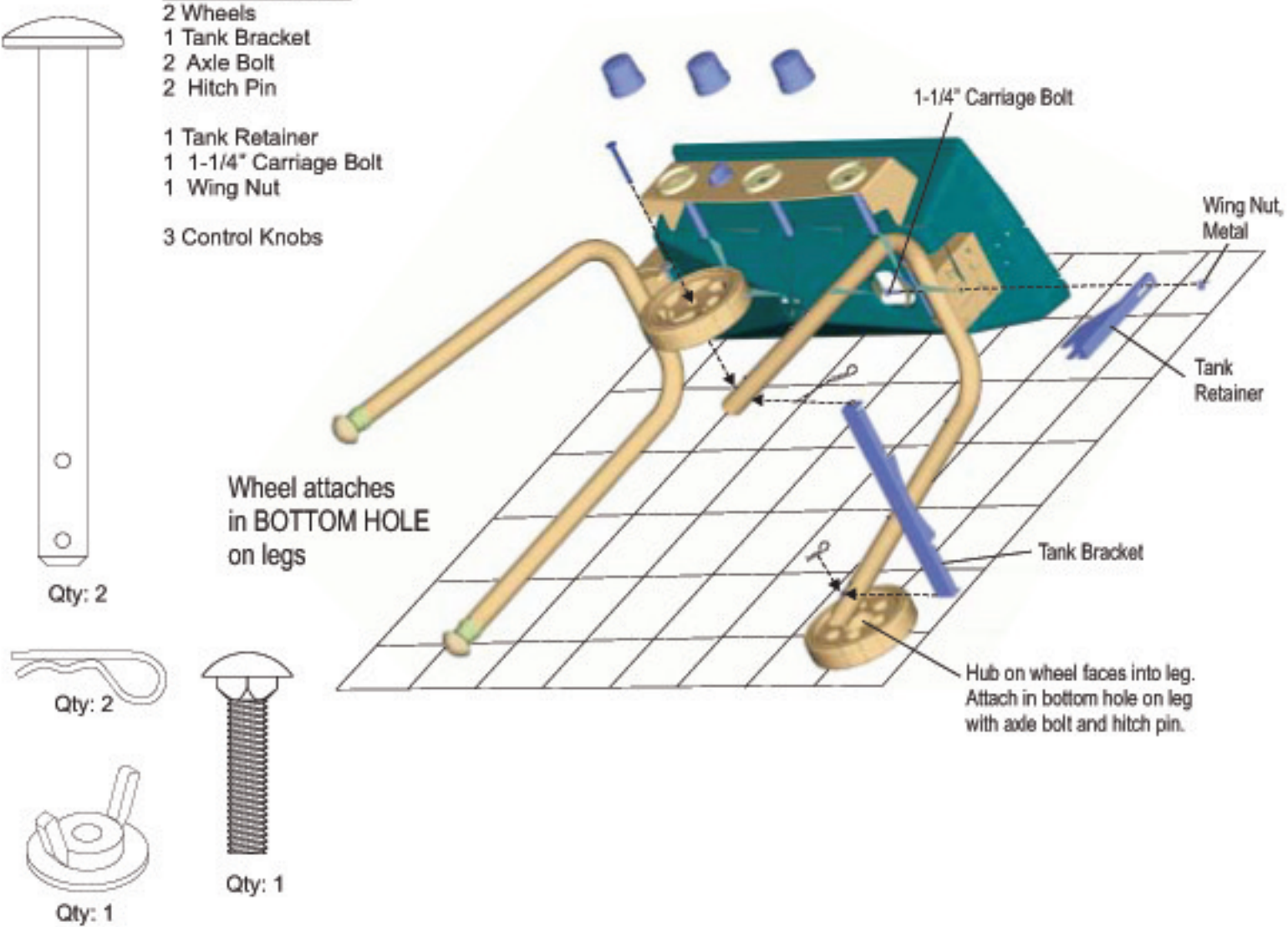
2

**1st: Unfold legs. Do not stand cart up until front panel is attached. The front panel stabilizes the cart.**

**Items to Assemble:**  
2 Wheels  
1 Tank Bracket  
2 Axle Bolt  
2 Hitch Pin

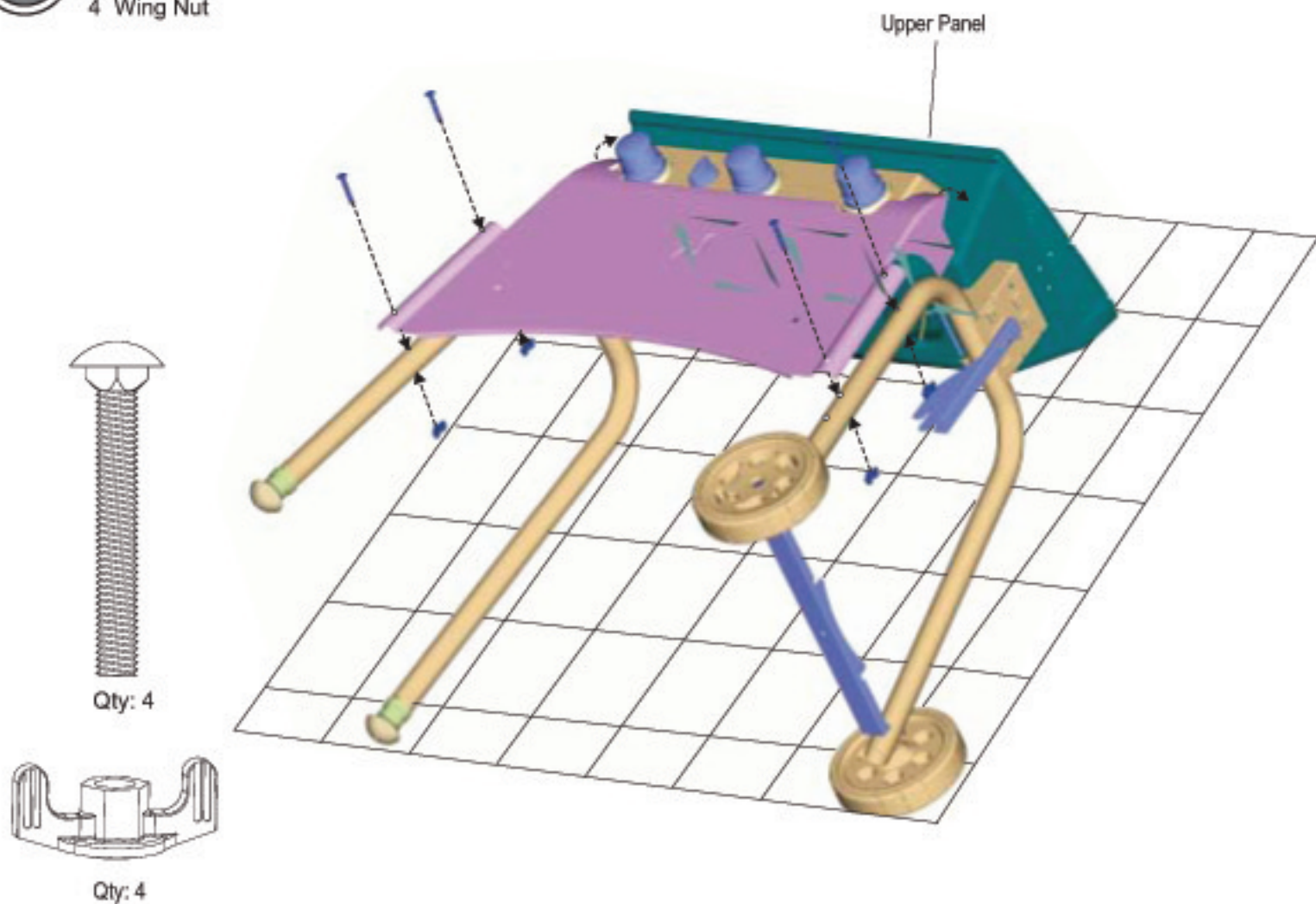
1 Tank Retainer  
1 1-1/4" Carriage Bolt  
1 Wing Nut

3 Control Knobs



3

**Items to Assemble:**  
1 Upper Panel  
4 2" Carriage Bolt  
4 Wing Nut



4

**Stand Cart Upright**

**Items to Assemble:**  
1 Right Shelf  
2 3/4" Carriage Bolt  
2 Wing Nut, Metal  
2 Wing Screw, "AB" point

**Repeat for Left Side**  
1 Left Shelf  
2 3/4" Carriage Bolt  
2 Wing Nut, Metal  
2 Wing Screw, "AB" point

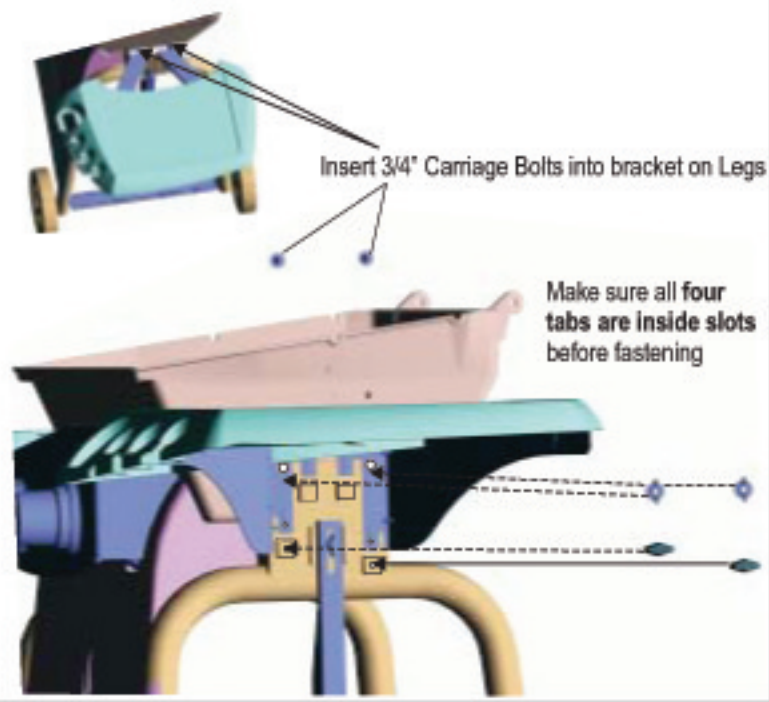


Qty: 4  
End has sharp point "AB"



Metal  
Qty: 4

View looking down

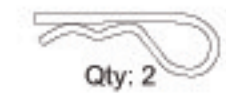


Insert 3/4" Carriage Bolts into bracket on Legs

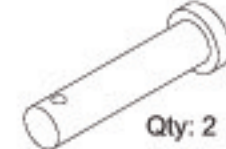
Make sure all four tabs are inside slots before fastening

5

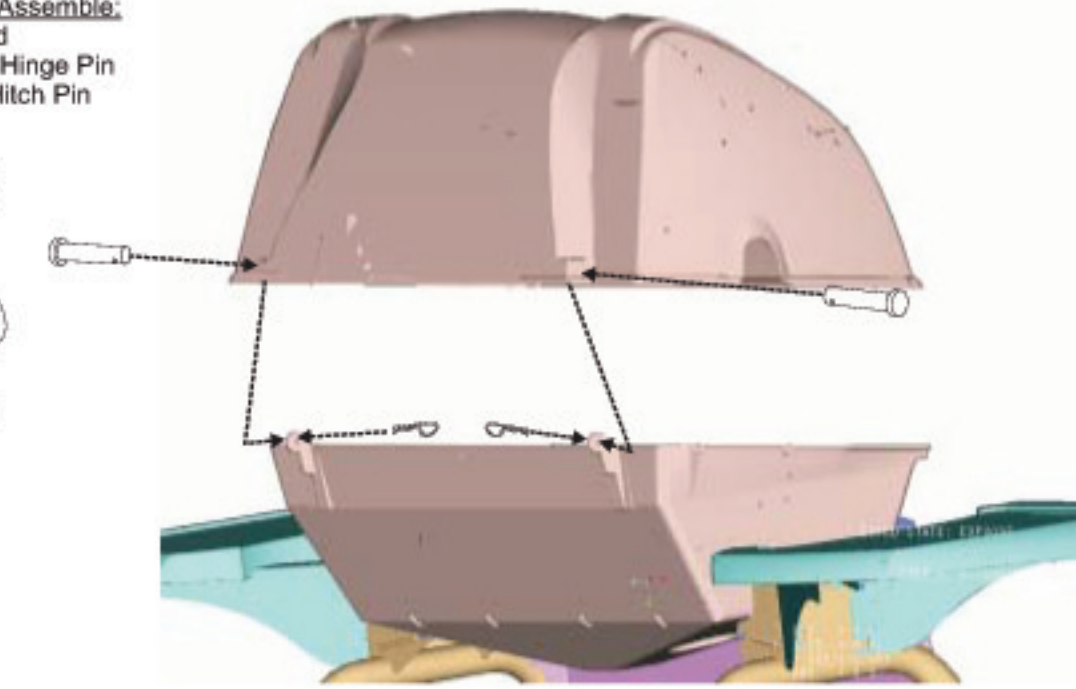
**Items to Assemble:**  
1 Grill Lid  
2 #6513 Hinge Pin  
2 #062 Hitch Pin



Qty: 2



Qty: 2

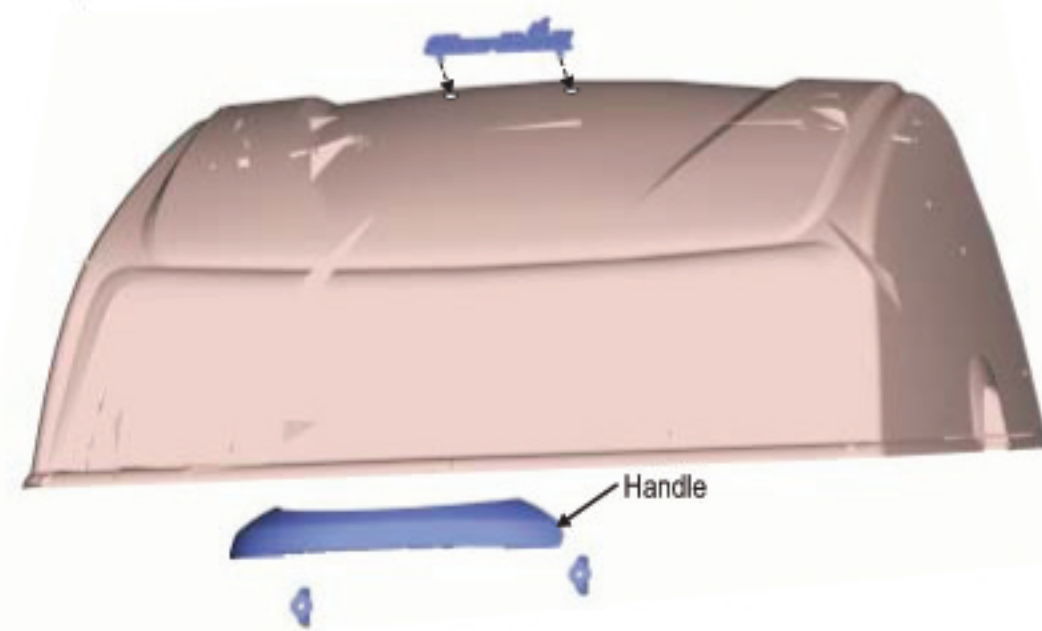


2nd

**Items to Assemble:**  
1 Logo Plate with clips  
1 Handle  
2 Wing Nuts



Qty: 2



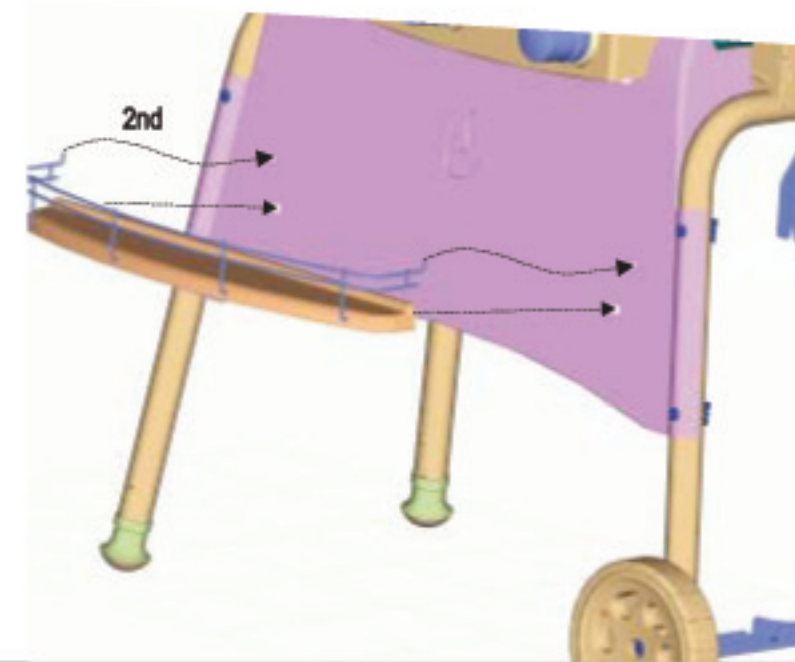
Handle

6

**Items to Assemble:**  
1 Condiment Wire  
1 Condiment Tray



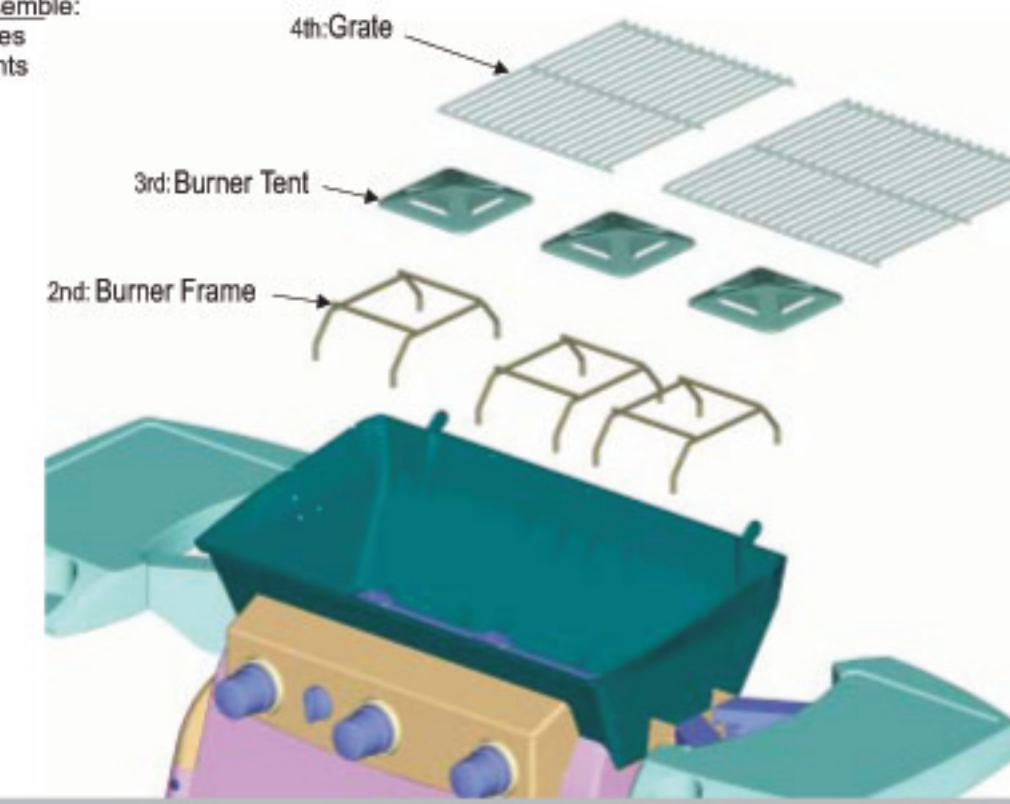
1st



2nd

7

**1st: Remove styrofoam pad**  
**Items to Assemble:**  
3 Tent Frames  
3 Burner Tents  
2 Grates



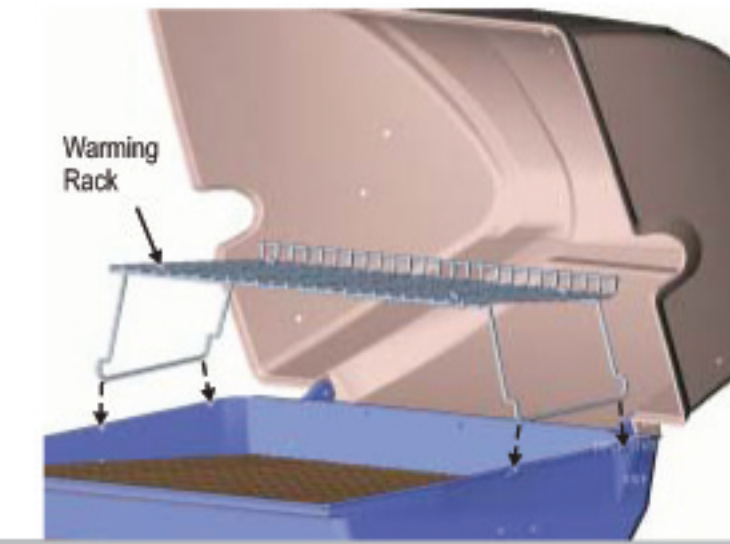
4th: Grate

3rd: Burner Tent

2nd: Burner Frame

8

**Items to Assemble:**  
1 Warming Rack

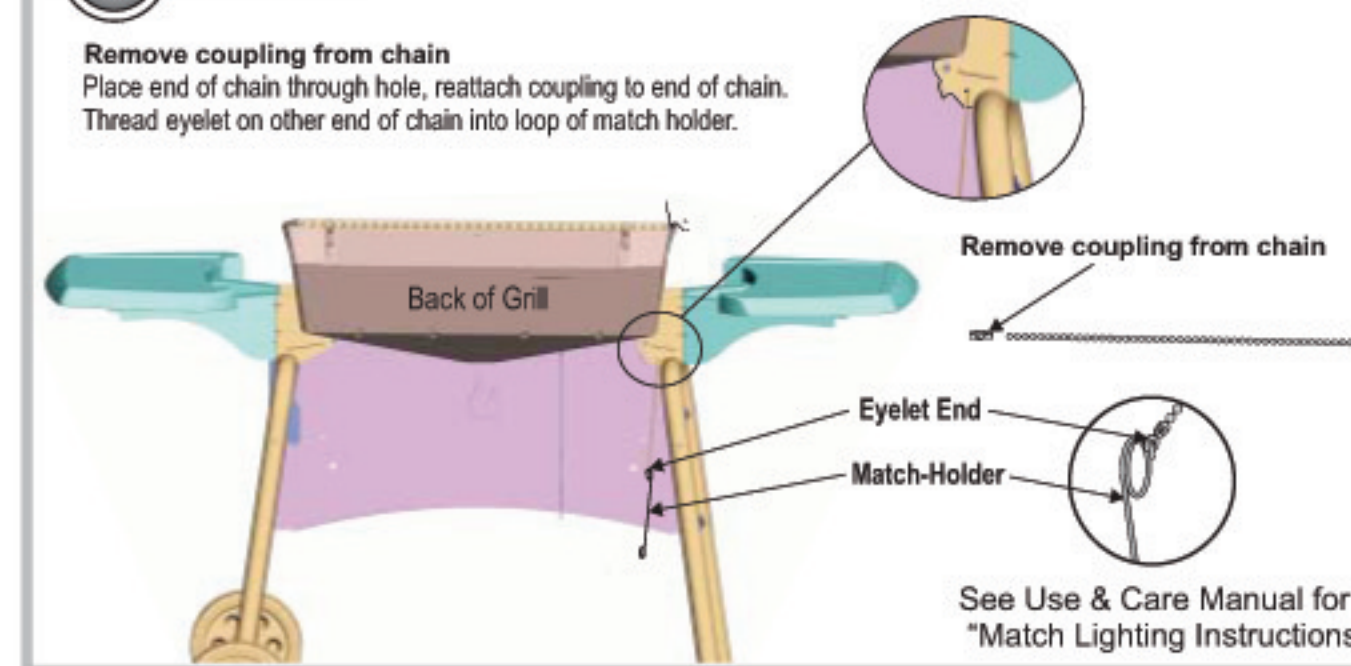


Warming Rack

9

**Items to Assemble:**  
1 Chain with Coupling  
1 Match-Holder

**Remove coupling from chain**  
Place end of chain through hole, reattach coupling to end of chain. Thread eyelet on other end of chain into loop of match holder.



Remove coupling from chain

Eyelet End

Match-Holder

See Use & Care Manual for "Match Lighting Instructions"

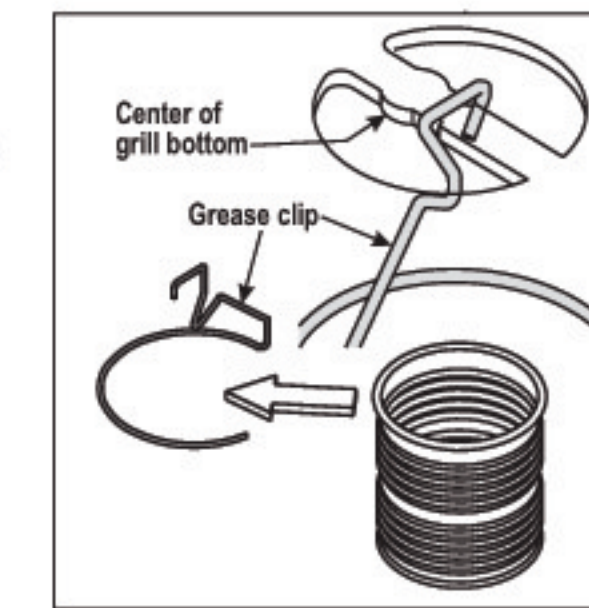
10

**Items to Assemble:**  
1 Grease Clip

Hang grease clip from center of grill bottom. Use an empty soup can (not included) to hang from grease clip.

**CAUTION**

• Failure to install can in clip will cause hot grease to drip from bottom of grill with risk of fire or property damage.



Center of grill bottom

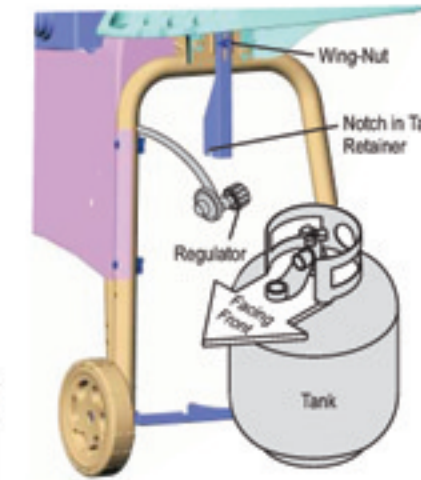
Grease clip

**Items to Assemble:**  
1 LP Tank

Loosen wing-nut on tank retainer. Center base of tank in notches between wheels. Lower tank retainer onto tank and tighten the wing-out. LP tank is shipped empty. Fill and leak check before attaching to grill and regulator. See Use and Care to perform the "Burner Flame Check" and important safety instructions before using.

**CAUTION**

• Tank collar opening must face to front of cart once tank is attached.  
• Failure to install tank correctly may allow gas hose to be damaged in operation, resulting in the risk of fire.



Wing Nut

Notch in Tank Retainer

Regulator

Tank