

1

NOTE: To prevent scratching, lay grill on packing material to assemble.

Remove end of rating label on back of upper panel and apply to your warranty card in box #6. If label is missing, please contact us regarding the warranty on your warranty card.

OUTDOOR GAS GRILL

NEVER Store a spare propane tank in your home, garage, or other enclosed area. NEVER use a spare propane tank for cooking or fire. NEVER use a spare propane tank for anything other than its intended purpose. NEVER use a spare propane tank if it is damaged, leaking, or if it has been exposed to fire. NEVER use a spare propane tank if it is not labeled for use in the United States. NEVER use a spare propane tank if it is not labeled for use in the United States. NEVER use a spare propane tank if it is not labeled for use in the United States.

This label contains the model and serial number for your grill. You should write this information on page 2 of the LP Gas Grill Use and Care in the "Warranty Information" box.

2

1st: Do not stand cart up until front panel is attached. The front panel stabilizes the cart.

Items to Assemble:

- 2 Wheels
- 1 Tank Bracket
- 2 Axle Bolts
- 2 Hitch Pins

- 1 Tank Retainer
- 1 1-1/4" Carriage Bolt
- 1 Wing Nut, Metal

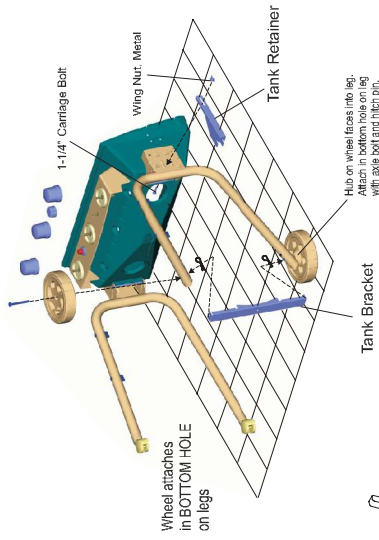
- 3 Carrot Knobs
- 1 Rollers Foot



Qty: 2



Qty: 1



Qty: 2

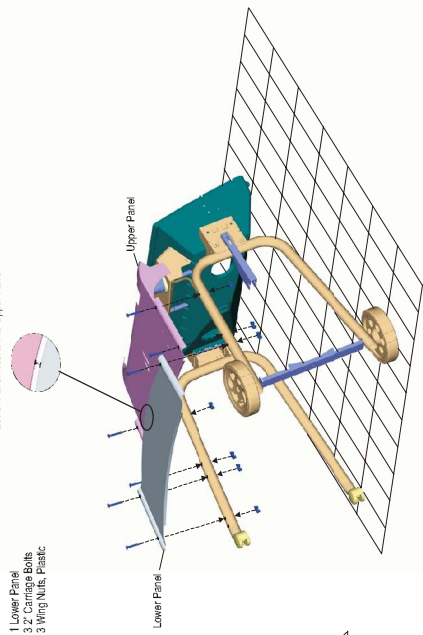


Qty: 1

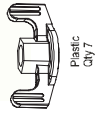
3

- Items to Assemble:
- 1 Upper Panel
- 4 Upper Carriage Bolts
- 4 Wing Nuts, Plastic
- 1 Lower Panel
- 3 Carriage Bolts
- 3 Wing Nuts, Plastic

Lower Panel Inserts into Upper Panel



Qty: 7



Qty: 7

4

Stand Cart Upright

Items to Assemble:

- 1 Roller Bumper



Qty: 1



Qty: 2

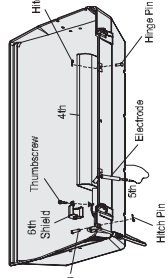


Qty: 2



Qty: 2

- 1st: Shape tubing around and away from the grill bottom as shown. Tubing must not have any kinks or loops to work properly.
- 2nd: Place Gas Tube onto back of grill.
- 3rd: Insert Hinge Pin into clip on Gas Tube. Attach with Hitch Pin.
- 4th: Insert 5/8\"/>
- 5th: Attach flat end of Rollers Bumper to Electrode. Electrode must remain on outside of grill. Electrode may have to be adjusted toward second burner hole.
- 6th: Attach flat end of Rollers Bumper to Electrode.
- 7th: Attach flat end of Rollers Bumper to Electrode.
- 8th: Place Shield over Burner Tube, secure with thumbscrew.



Electrode must remain on outside of grill. Electrode may have to be adjusted toward second burner hole.

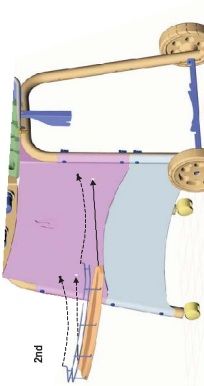
5

Items to Assemble:

- 1 Condiment Tray
- 1 Condiment Tray



1st



6

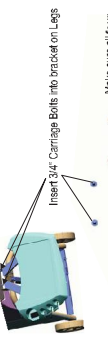
Items to Assemble:

- 1 Thumb Screw
- 2 3/4\"/>
- 2 Wing Nut, Metal
- 2 Wing Screw, AB point

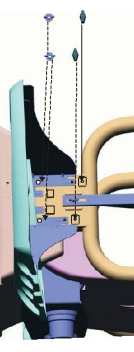


Qty: 4

View looking down



Make sure all four tabs are inside slots before fastening



7

1st: Remove styrofoam pad

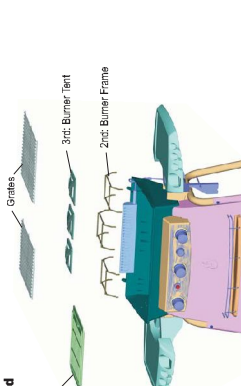
Items to Assemble:

- 3 Burner Frames
- 2 Burner Feet
- 2 Grids
- 1 Grids

Qty: 4

End has sharp point

AB



8

Items to Assemble:

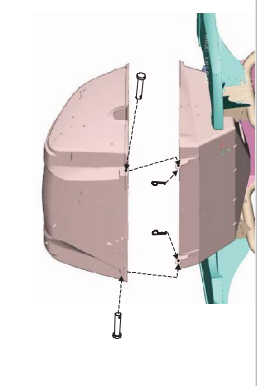
- 2 Grill LP
- 2 Hitch Pin



Qty: 2



1-1/8"



Qty: 2

1-1/8"

Hinge Pin

and Hitch Pin

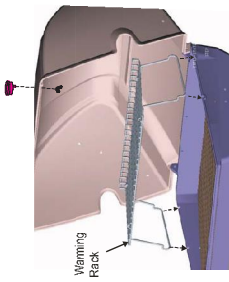
9

Items to Assemble:

- 1 Warning Rack
- 1 Heat Indicator



Qty: 1



10

Place "AAA" battery into module, secure with button.



11

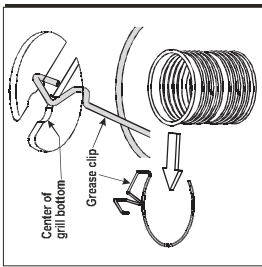
Items to Assemble:

- 1 Grease Clip

Qty: 1

Center of grill bottom

Grease clip



Here, grease clip from center of grill bottom. Use an empty soap can (not included) to hang from grease clip.

CAUTION

Failure to install can in clip will cause hot grease to drip from bottom of grill with risk of fire or property damage.

12

Items to Assemble:

- 1 Chain with Coupling
- 1 Match-Holder

Qty: 1

Remove coupling from chain.

Place end of chain through hole, reattach coupling to end of chain.

Thread eyellet on other end of chain into loop of match holder.

See Use & Care Manual for "Match Lighting Instructions"

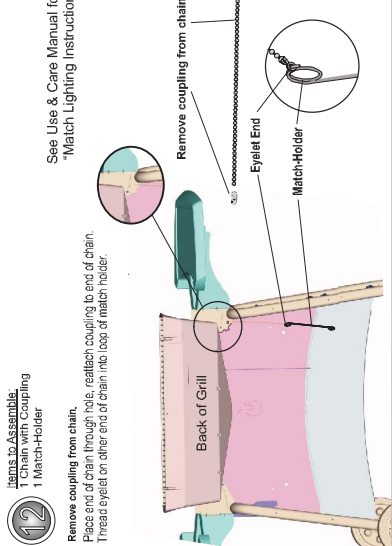
Remove coupling from chain.

Back of Grill

Remove coupling from chain

Eyelet End

Match-Holder



13

Items to Assemble:

- 1 LP Tank

Qty: 1

Loosen wing-nut on tank retainer.

Center base of tank in notches between wheels.

Lower tank retainer onto tank and tighten the wing-nut.

LP tank is sold separately. Fill and leak check before attaching to grill and regulator.

See Use and Care to perform the "Burner Flame Check" and important safety instructions before using.

Wing Nut

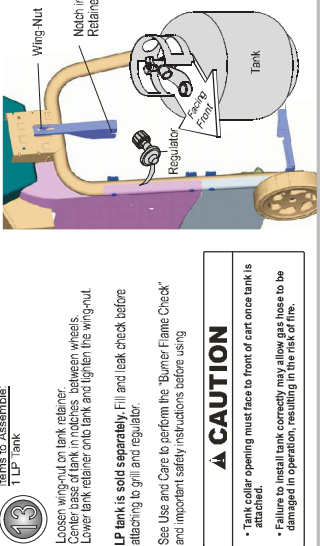
Nitch in Tank Retainer

Regulator

Piping

Flame

Tank



CAUTION

Tank filler opening must face to front of cart once tank is attached.

Failure to install tank correctly may allow gas to leak to be damaged in operation, resulting in the risk of fire.