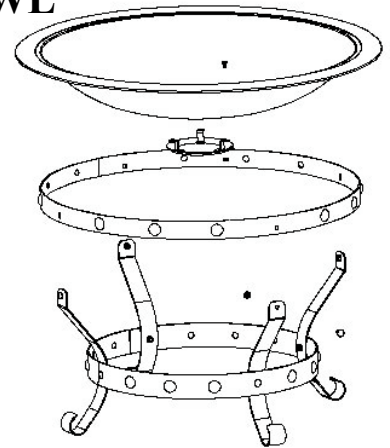


03505768/03505787 FIRE BOWL

Assembly Instructions

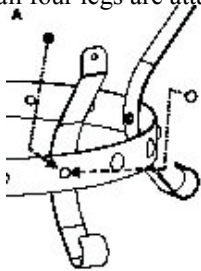


PARTS:

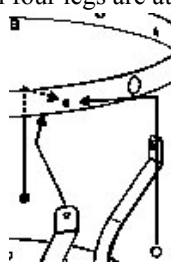
A. Bottom Ring	1
B. Top Ring	1
C. Legs	4
D. Ash Catcher	1
E. Fire Bowl	1
F. 10-24 Keps Lock Nuts	3
G. 10-24 x 3/8" Combo Truss Head Screws	3
H. 1/4-20 Keps Hex Nuts	8
I. 1/4-20 x 1/2" Carriage Bolts	8

TOOLS REQUIRED: Straight or Phillips Head Screwdriver, Adjustable Wrench

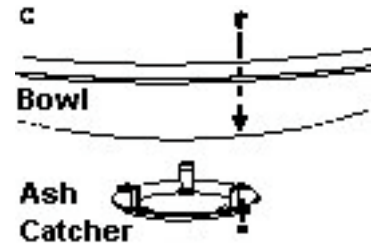
STEP 1. Making sure legs are on the inside of ring, attach legs to lower ring as shown using (4) 1/4-20 x 1/2" Carriage Bolts from the outside and (4) 1/4-20 Keps Nuts on the inside. Tighten nuts after all four legs are attached.



STEP 2. Making sure legs are on the inside of ring, attach legs to upper ring as shown using (4) 1/4-20 x 1/2" Carriage Bolts from the outside and (4) 1/4-20 Keps on the inside. Tighten nuts after all four legs are attached.



STEP 3. Using (3) 10-24 Combo Truss Head Screws from inside the bowl and (3) 10-24 keps nuts, attach ash catcher to bottom side of bowl. Tighten all nuts when Ash Catcher Bracket is attached to bowl.



FOR OUTDOOR USE ONLY !!



WARNING ! NEVER leave fire unattended.

Do not allow small children near flame. Hot embers can fly out of bowl in breezy conditions. Adequate fire extinguishing material should be readily available.



WARNING ! Do not use this unit on a wood deck or on combustible surfaces such as dry grass, leaves, mulch, etc. Do not use this unit near heat sensitive or combustible structures such as vinyl or wood siding.

WARNING

CARBON MONOXIDE HAZARD

Burning charcoal inside can kill you. It gives off carbon monoxide, which has no odor.

NEVER burn wood or charcoal inside homes, vehicles or tents.



CAUTION!

Read and follow all Safety Statements, Warnings, Assembly Instructions and Use & Care directions before attempting to assemble.



CAUTION!

Some parts may contain sharp edges. Wear protective gloves as necessary.

LIMITED WARRANTY

New Braunfels Smoker Company warrants this Fire Bowl for replacement or repair of parts and or workmanship for a period of 90 days. Paint is not warranted and may require touchup.

These limited warranties are made exclusively to the original customer presenting proof of purchase. These warranties are limited to non-commercial usage. Any returned goods must be clearly marked with a New Braunfels Smoker Company Return Authorization Number and shipped prepaid. These limited warranties do not cover normal wear and tear or damages resulting from abuse or misuse. This warranty excludes incidental or consequential cost due to damage or losses to persons or property of any nature.

NOTICE: Some states do not allow the exclusion or limitation of incidental or consequential damages or limitations on how long an implied warranty lasts so the above limitations or exclusions may not apply to you. This warranty gives you specific legal rights and you may also have other legal rights which may vary from state to state.

For Warranty Service CALL TOLL FREE: 1-800-232-3398