

# Arch Fireplace

MODEL 03505788 • Assembly Instructions  
**FOR OUTDOOR USE ONLY!**



Tools needed for assembly: Phillips screwdriver • Adjustable wrench



## WARNING



Do not use this unit on a wood deck or on combustible surfaces such as dry grass, leaves, mulch, etc. Do not use this unit near heat sensitive or combustible structures such as vinyl or wood siding.



## CAUTION



**THIS UNIT IS HEAVY!**  
**DO NOT assembly without a helper.**



## CAUTION



Some parts may contain sharp edges – especially as noted in manual. Wear protective gloves if necessary.



## CAUTION



Read and follow all safety statements, warnings, assembly instructions and use & care directions before attempting to assemble.



## WARNING



**NEVER LEAVE FIRE UNATTENDED!**  
Do not allow small children near flame. Hot embers can fly out of ring in breezy conditions. Adequate fire extinguishing material should be readily available.



## WARNING



**CARBON MONOXIDE HAZARD**  
Burning charcoal inside can kill you. It gives off carbon monoxide, which has no odor. **NEVER** burn charcoal inside homes, vehicles or tents.

# **STOP!**

**Missing a part?**

**No need to go back to the store!**

The store where you made your purchase does not stock parts for this item. If you need parts, whether they are missing or damaged, call the Customer Service toll free Help Line.

Call us and we will gladly ship  
the part you need

**FREE OF CHARGE.**

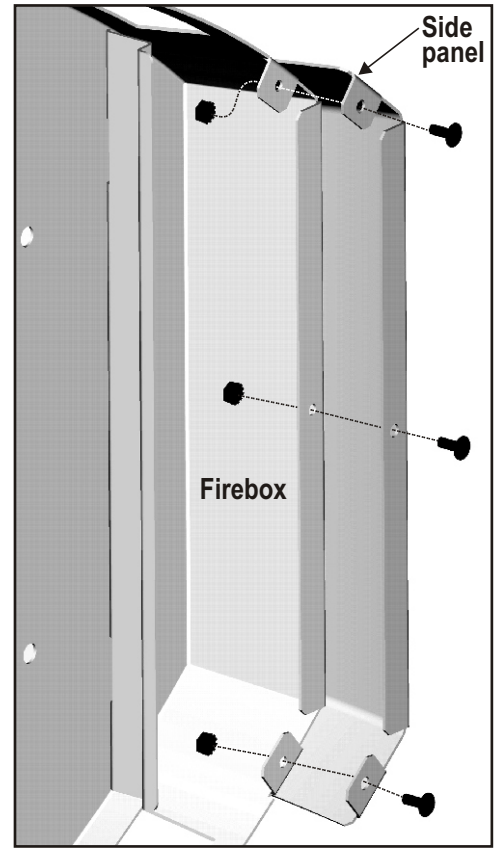
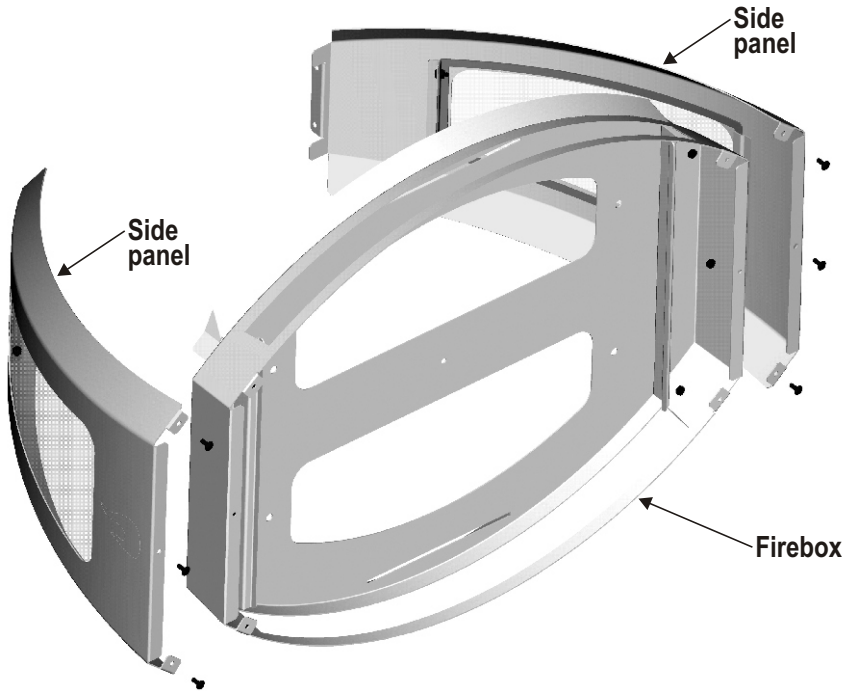
**Call Our Help Line**

**1-800-232-3398**

## **Parts List**

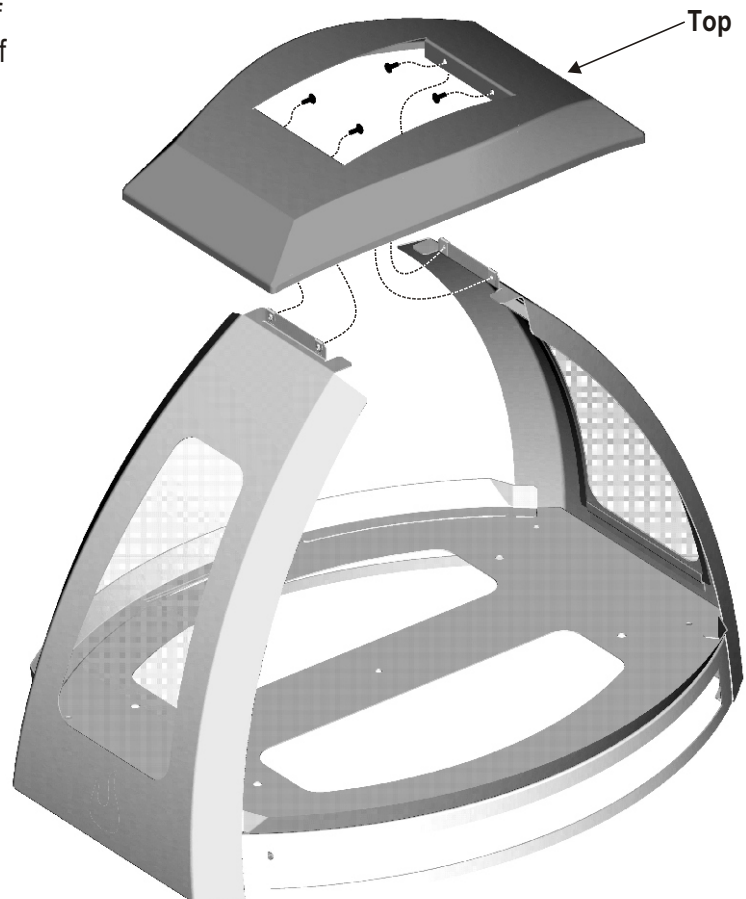
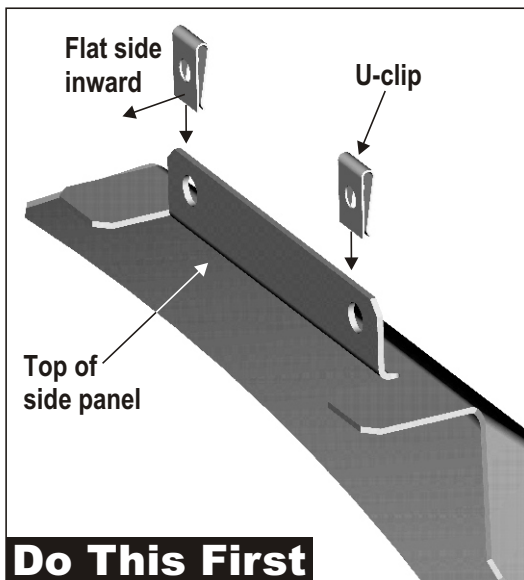
<b>Item</b>	<b>Description</b>
55700429	Base Kit
55700430	Firebox Kit
55700431	Side Panel Kit
55700432	Top Kit
40011188	Carton
29100105	Hood Cap
29100101	Screen
29000384	Ash Drawer
29100106	Log Rack
42000003	Hardware Bag
42803959	Assembly Instructions

- 1** Attach the two side panels to the firebox using three #10-24x1/2" machine screws and three #10-24 keps nuts on each side. *It may be helpful to have someone hold components in place as you attach screws and nuts.*

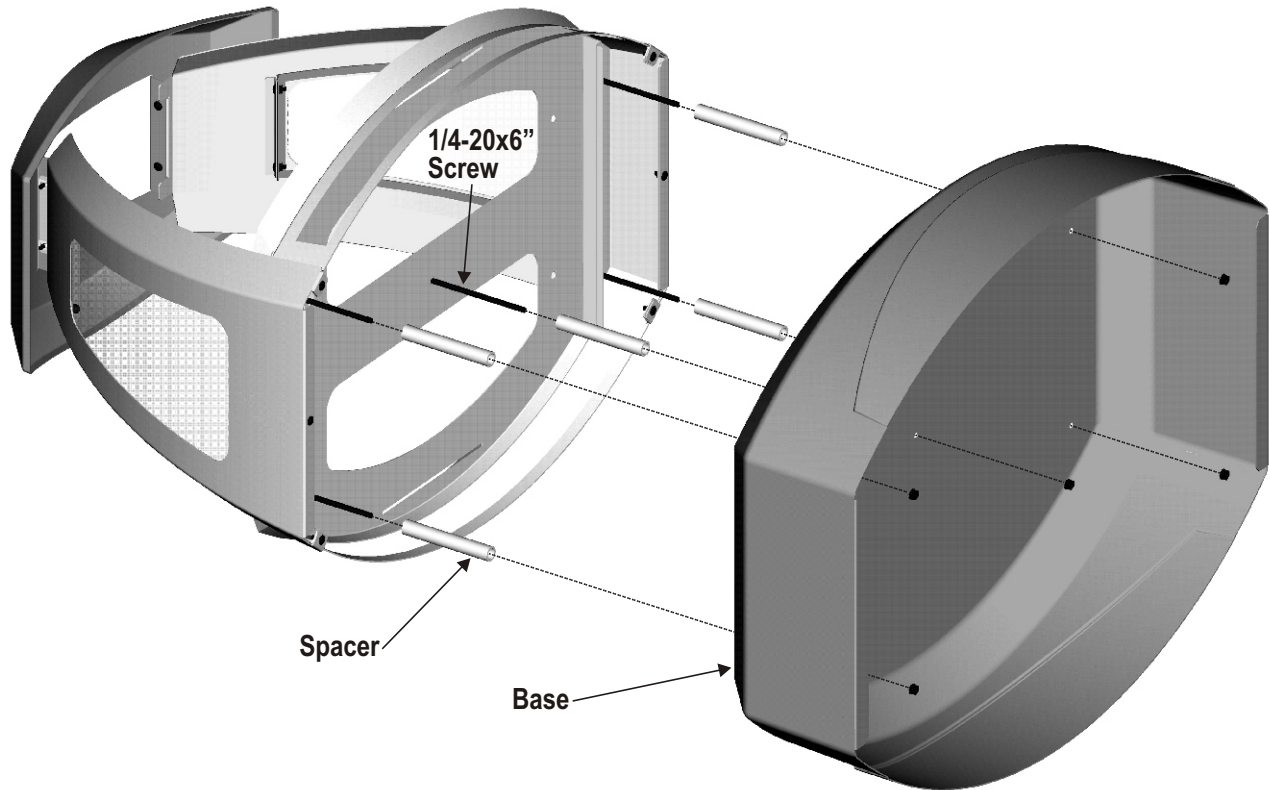


- 2** **FIRST**, push the U-clips over the holes at the top of the side panels, making sure that the **FLAT** sides of the U-clips face **inward**.

**NEXT**, place the top between the side panels and secure with two #10-24x1/2" machine screws on each side. **Screws should pass through the top first, then into the U-clips on the side panels.**



- 3** Attach the base to the firebox using five **1/4-20x6"** machine screws, **1/4-20** keps nuts, and spacers. Insert the five screws into holes in the top of the firebox. Slide the spacers onto the screws. Fit the base onto the ends of the screws and secure with keps nuts. *It may be helpful to have someone hold components in place as you attach screws, spacers, and nuts.*

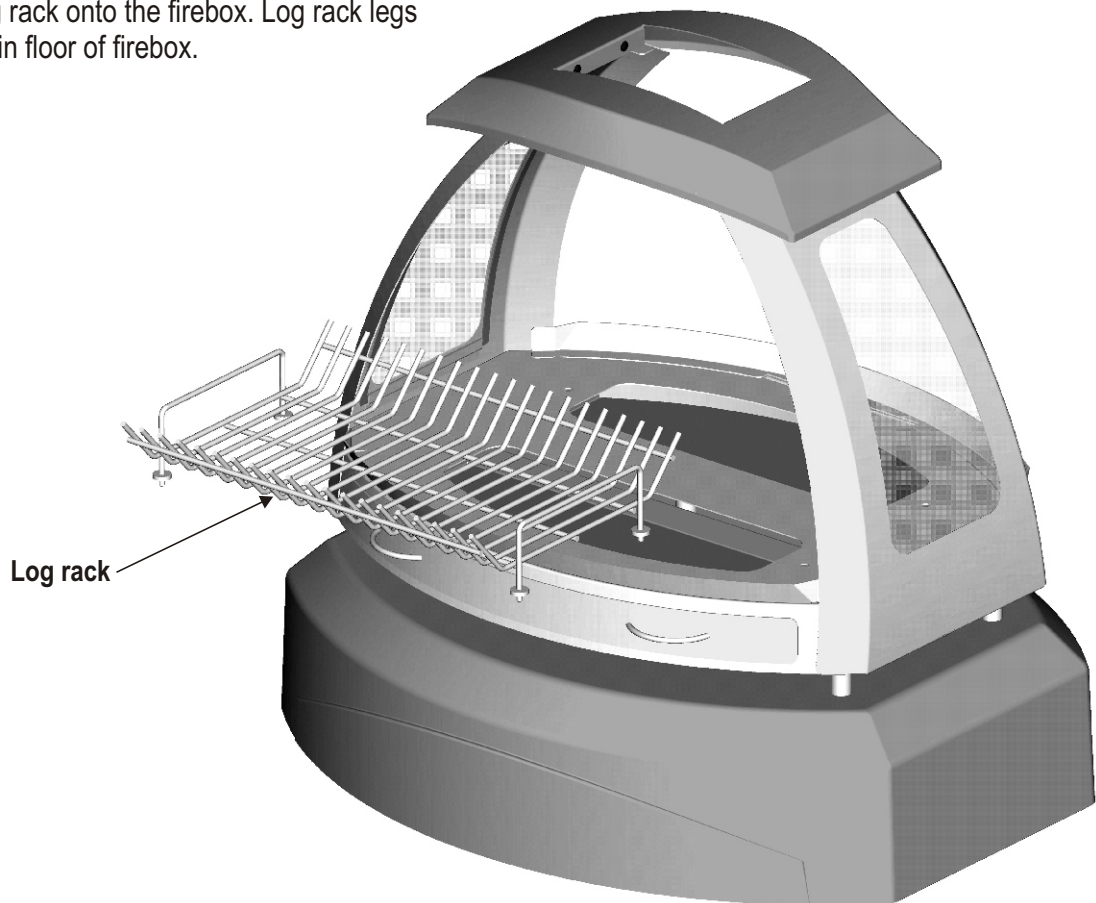


- 4** Slide an ash drawer into each side of the fireplace.





- 
- 5** Place the log rack onto the firebox. Log rack legs fit into holes in floor of firebox.



- 
- 6** To attach front and rear screens (screens are identical), place bottom lip of screens over outer edges of firebox, and lean screens against side panels.



- 
- 7** Place the top cap into the opening in the fireplace top.  
Your fireplace is now ready to use.



# HARDWARE LIST

Hardware is shown actual size. You may have spare hardware after assembly is complete.



#10-24x1/2"  
Machine Screw  
Qty. 10



U-Clip  
Qty. 4



#10-24 Keps Nut  
Qty. 6



1/4-20 Keps Nut  
Qty. 5



1/4-20x6" Machine Screw • Qty. 5

## Limited Warranty

The manufacturer warrants the product for replacement or repair of parts and/or workmanship for a period of 90 days. Paint is not warranted and will require touchup.

These limited warranties are made exclusively to the original customer presenting proof of purchase. These warranties are limited to non-commercial residential use only. Any returned goods must be shipped prepaid. These warranties do not cover normal wear and tear or damages resulting from abuse or misuse. This warranty excludes incidental or consequential cost due to damages or losses or property of any nature.

NOTICE: Some states do not allow the exclusion or limitation of incidental or consequential damages or limitations on how long an implied warranty lasts, so the above limitations or exclusions may not apply to you. This warranty gives you specific legal rights and you may also have other legal rights which may vary from state to state.

For further information, contact the manufacturer, toll free at 1-800-232-3398.

W.C. Bradley Co.  
Columbus, GA 31902