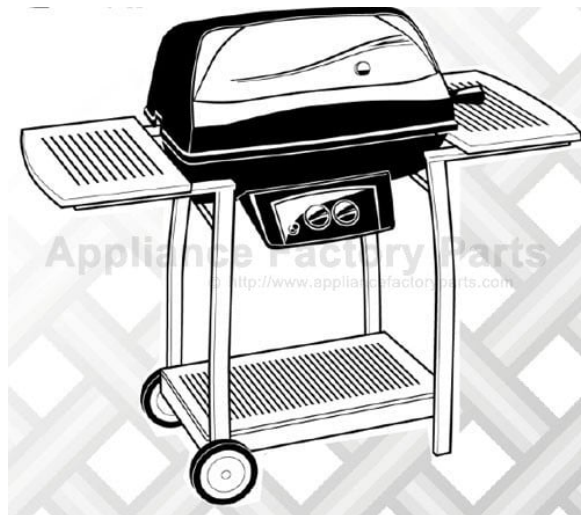


This Owner's Manual is provided and hosted by [Appliance Factory Parts](http://www.appliancefactoryparts.com).



# Charbroil 464636103 Owner's Manual

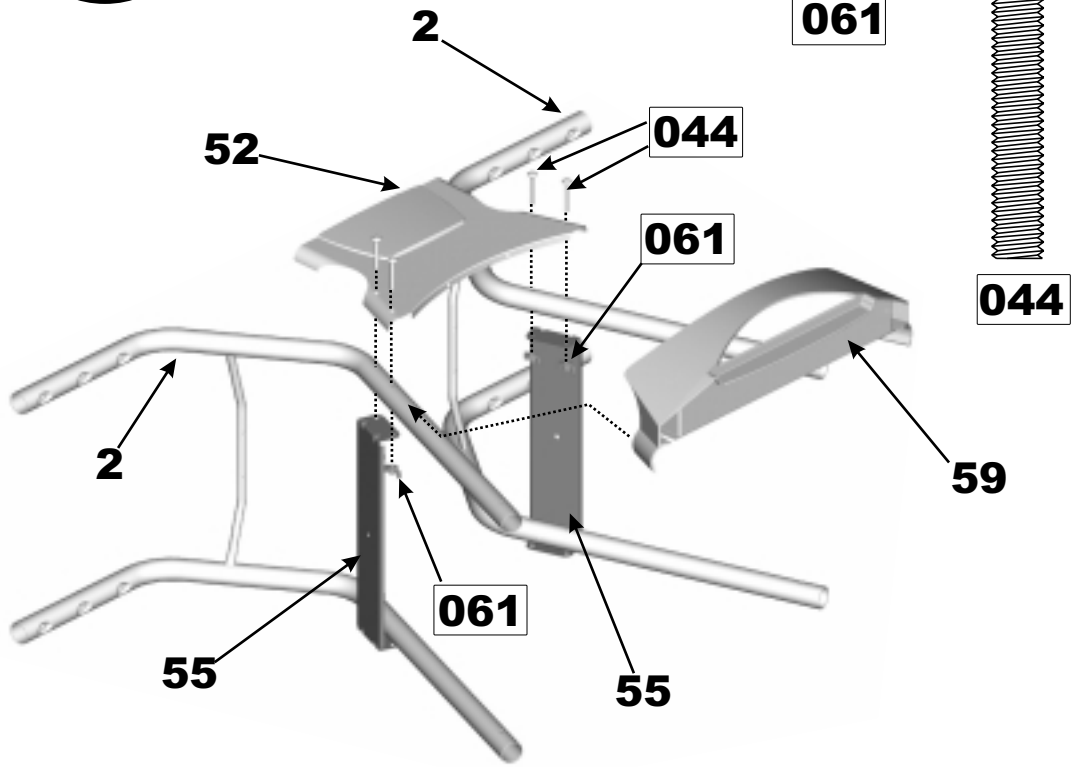
**[Shop genuine replacement parts for Charbroil  
464636103](#)**



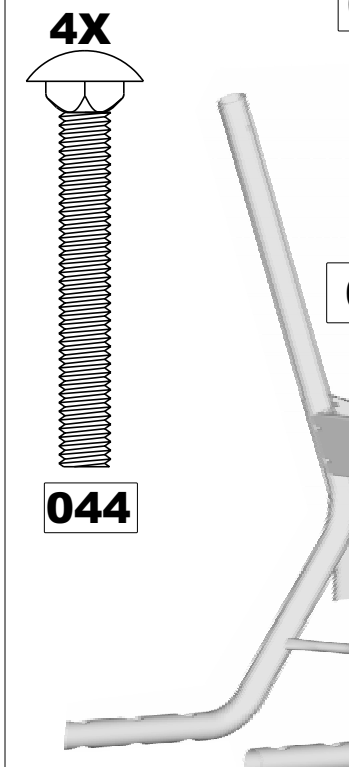
**[Find Your Charbroil Grill Parts - Select From 3592 Models](#)**

----- Manual continues below -----

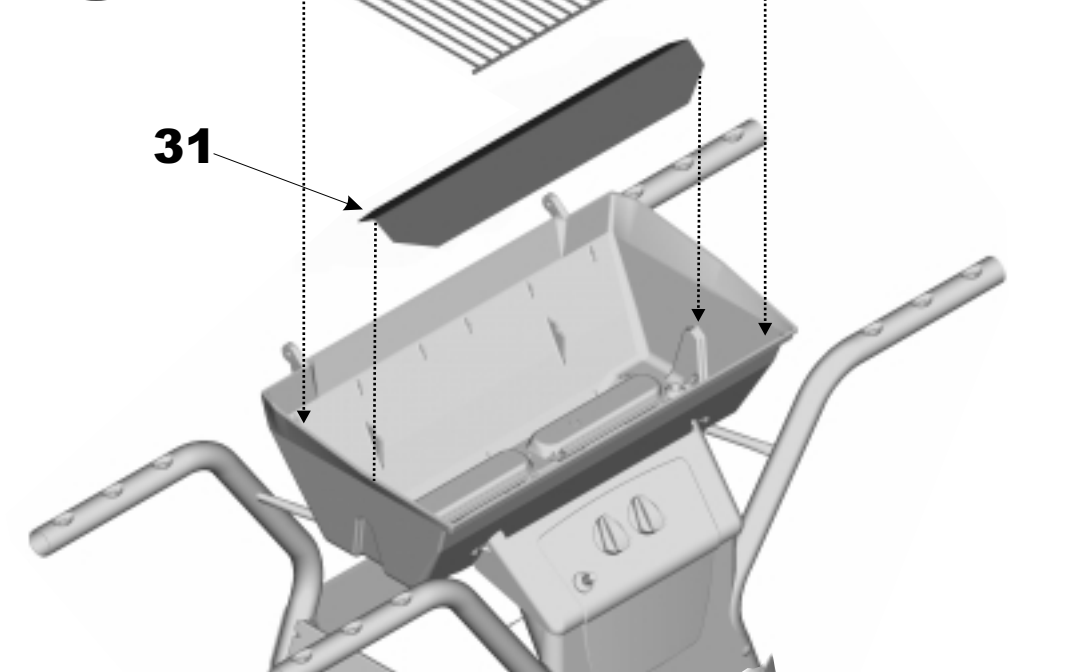
**1**



**2**



**5**



**6**

