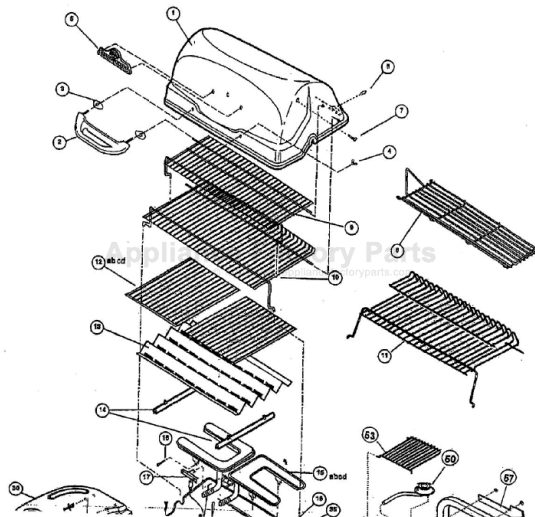


This Owner's Manual is provided and hosted by [Appliance Factory Parts](#).



Fiesta GT40045 Owner's Manual

[Shop genuine replacement parts for Fiesta GT40045](#)



[Find Your Fiesta Grill Parts - Select From 625 Models](#)

----- Manual continues below -----

2001

FIESTA GAS GRILLS



Outdoor Gas Barbeque/Grill

Use and Care / Assembly Manual

MODEL GT 40045

INSTALLATION

The installation of this appliance must be in accordance with:

1. All applicable local codes, or in the absence of local codes
2. i) Canada: must conform to current National Standard CAN/CGA - B149 .1/.2 - natural gas/propane installation code.
- ii) U.S.A.: must conform to National Fuel Gas Code, ANSI Z223.1, 1988 or latest edition.

Necessary Warranty Information:

Full Model No. from outer carton _____

Date Purchased _____

RETAIN PROOF OF PURCHASE TO VALIDATE WARRANTY

Fiesta Gas Grills LLC
One Fiesta Dr. Dickson TN, USA 37055

SAVE THIS MANUAL FOR FUTURE REFERENCE
Installer must leave instructions with the consumer for future reference.

NOTE: CUSTOMER SERVICE TOLL FREE 1-800-396-3838

WARNING

Hazardous Fire or Explosion may result if these instructions are ignored.

It is your responsibility to see that your grill is properly assembled, installed, and cared for. Failure to follow instructions in this manual could result in serious bodily injury and/or property damage.

FOR YOUR SAFETY

If you smell gas:

1. Shut off gas supply to appliance.
 2. Extinguish any open flame.
 3. Open lid.
 4. If odor continues, immediately call your gas supplier or your fire department.
- Leak test all connections after each tank refill.
 - Never check for leaks with a match or open flame.
 - Do not store or use gasoline or other flammable vapors and liquids in the vicinity of this or any other appliance.
 - An LP cylinder not connected for use shall not be stored in the vicinity of this or any other appliance.

THIS APPLIANCE IS FOR OUTDOOR USE ONLY **SP5043-37**

ASSEMBLY INSTRUCTIONS:

TOOLS REQUIRED:

7/16" Wrench, Small Adjustable Wrench,
#2 Phillips Screwdriver.

- Extra Common Hardware Parts are supplied.
- Refer to diagrams to assemble your grill.

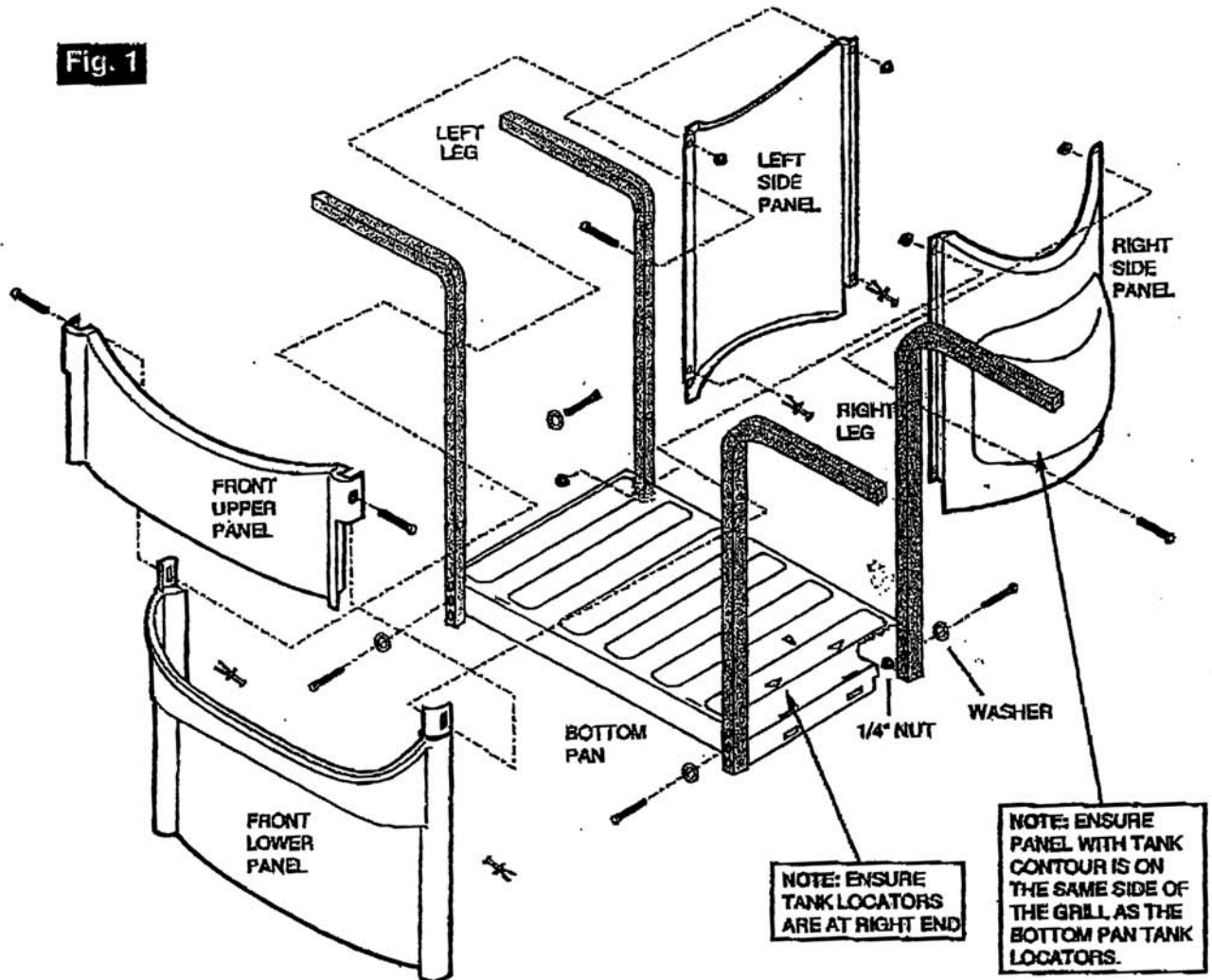
1/4"-20 X 1 1/2"
TRUSS HEAD
SCREW (8)

1/4"-20
NUT (8)

WASHER (4)

PUSH PIN (6)

Fig. 1



- 1 Attach legs to bottom pan using 1 1/2" screws, washers and nuts.
- 2 Position front lower panel around outside surfaces of legs. Attach using push pins at the middle tabs on the inside of the panel. Insert fingers of push pins into hole and then push the pin in to lock into place. The lower tabs on the inside of the panel rest on top of the bottom pan.
- 3 Position front upper panel at top of front lower panel.
- 4 Position left side panel inside of legs and push into place. Assemble using 1 1/2" screws and nuts at the top of the panel. Use push pins at the bottom holes on the inside of the side panel.
- 5 Repeat for right side panel.



1/4\"-20 X 1 1/2\"
TRUSS HEAD
SCREW (2)



1/4\" - 20
NUT (2)

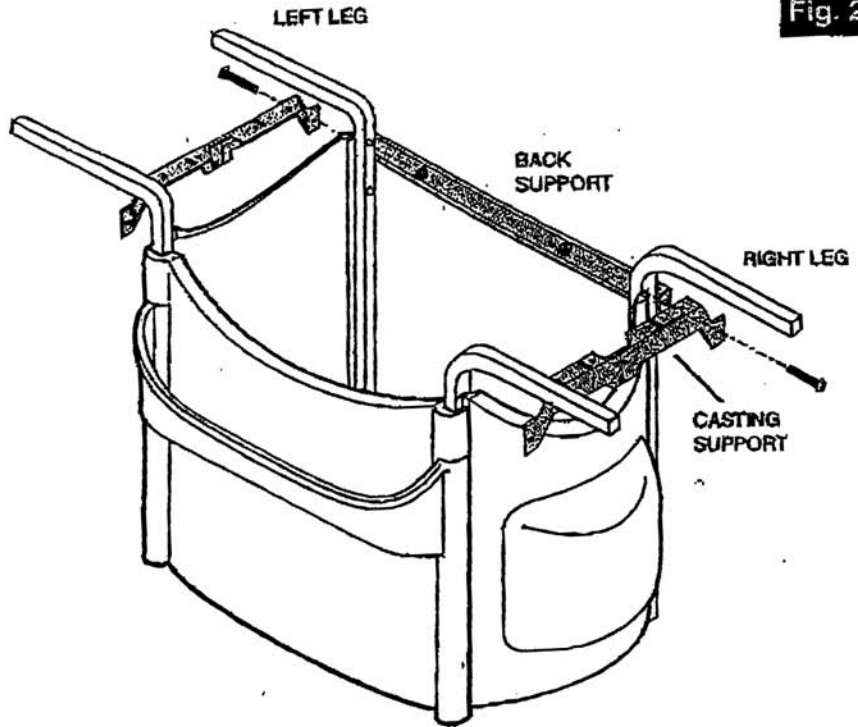
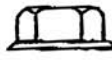


Fig. 2

- 1 Attach back support and (2) casting supports as shown using 1 1/2\" screws and nuts to rear legs only.



1/4\"-20 X 1 1/2\"
TRUSS HEAD
SCREW (2)



1/4\" - 20
NUT (2)

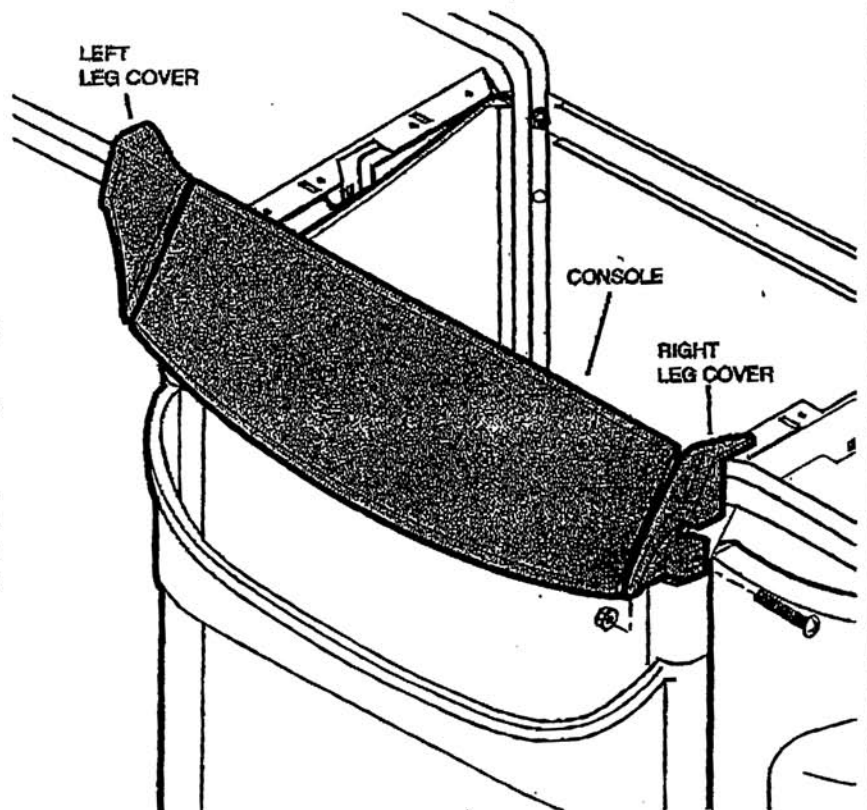


Fig. 3

- 1 Position console between legs as shown.
- 2 Assemble with 1 1/2\" screws and nuts but do not tighten.
- 3 Position left leg cover as shown. Push top tab into upper hole on side of console. Rotate leg cover down to push bottom tab into lower hole on side of console.
- 4 Repeat for right leg cover.
- 5 Tighten all connections.

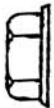
1 Position base on supports as shown and secure with 3/4" bolt and nuts.

2 Insert Grease clip through hole as shown.

3 Use a standard soup can in clip to catch grease. (Can is not supplied.)



1/4"-20 X 3/4" BOLT (4)



1/4"-20 NUT (4)

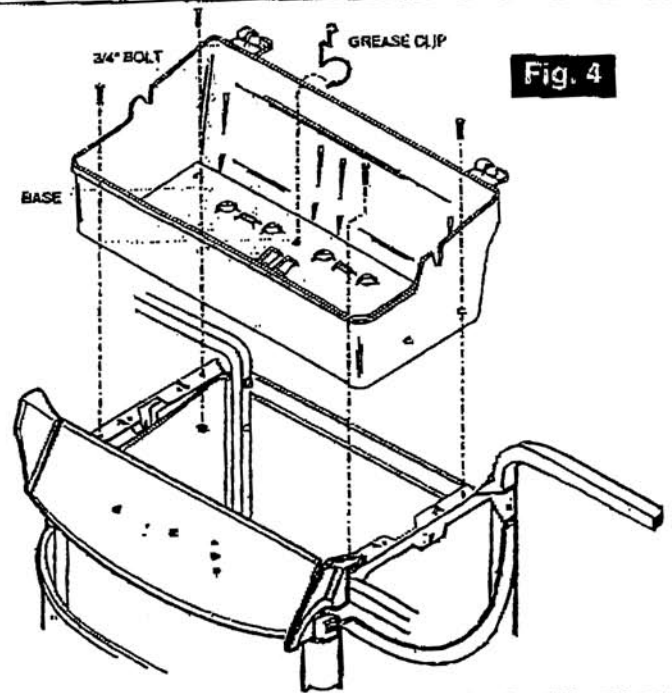


Fig. 4

1 Turn assembly onto back.

2 Insert caster plugs and casters as shown. NOTE: The front legs receive the locking casters.

3 Turn assembly upright.

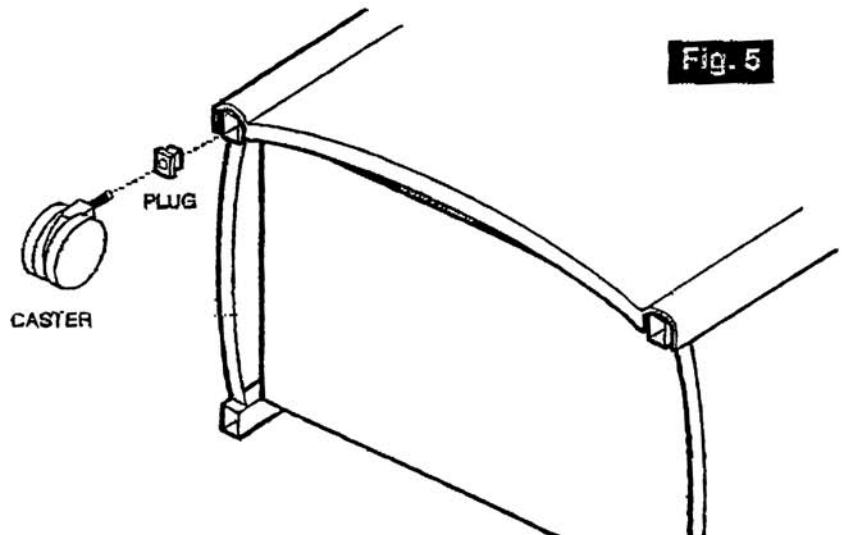



Fig. 5

 SCREW (2)
#6-32 X 3/8"

1 Attach valve / regulator assembly to console as shown using 3/8" screws.

2 Install control knobs

3 **ROTARY IGNITOR**
From behind console, align mounting holes in ignitor with holes in console. Install (2) screws as shown. Install ignitor knob. Attach adaptor wire round terminal to either terminal of rotary ignitor.

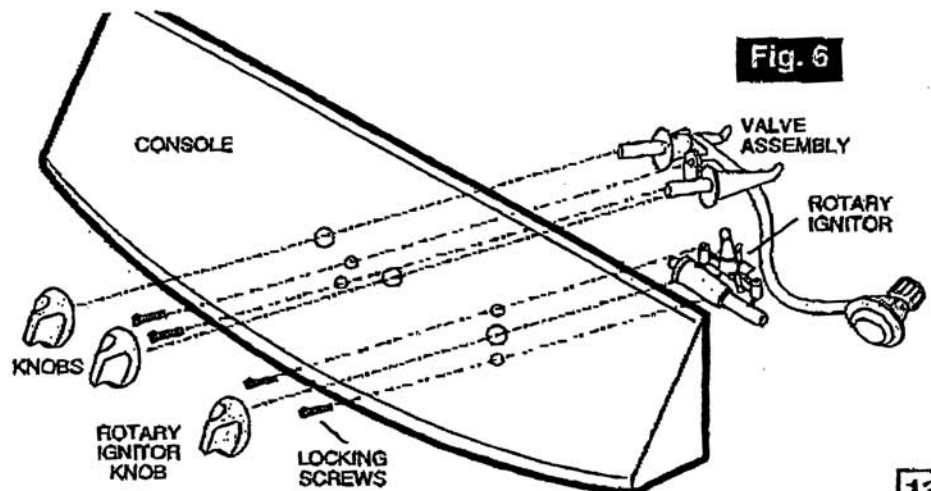
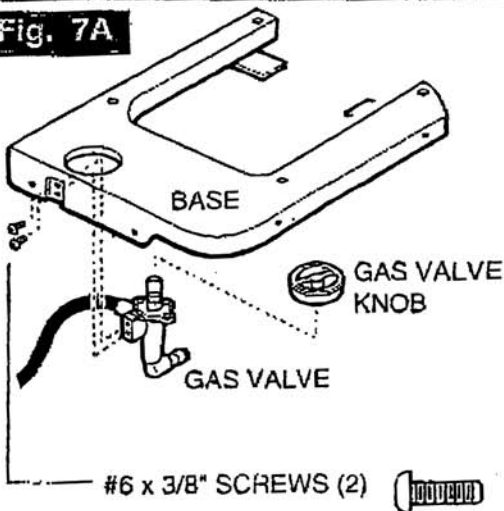


Fig. 6

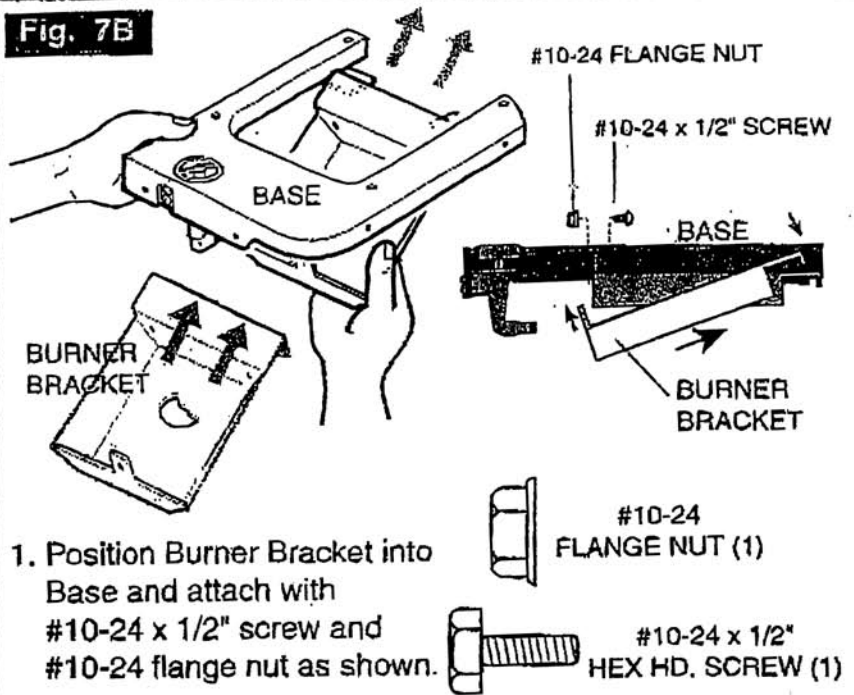
SHELF INSTALLATIONS

Fig. 7A



1. Install gas valve with #6 x 3/8" screws (2) as shown.
2. Install gas valve Knob as Shown.

Fig. 7B



1. Position Burner Bracket into Base and attach with #10-24 x 1/2" screw and #10-24 flange nut as shown.

1. Locate burner into burner bracket and over valve and attach with #10-24 nut as shown.

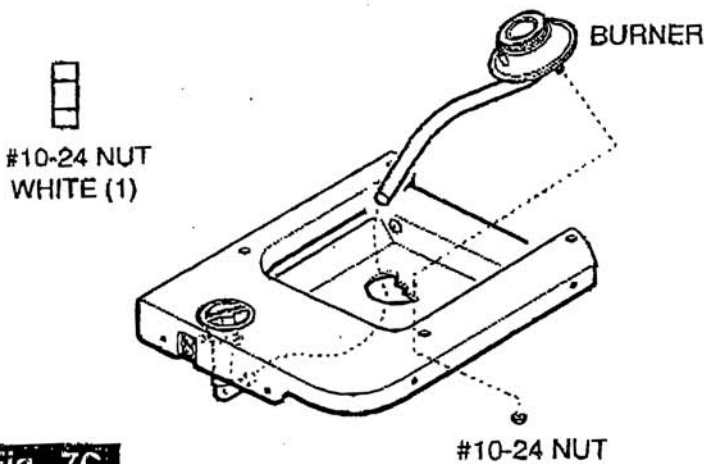
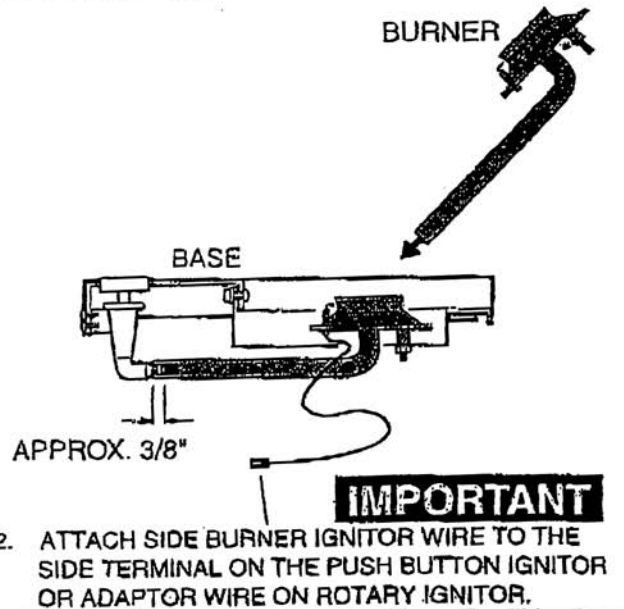


Fig. 7C



2. ATTACH SIDE BURNER IGNITOR WIRE TO THE SIDE TERMINAL ON THE PUSH BUTTON IGNITOR OR ADAPTOR WIRE ON ROTARY IGNITOR.

NOTE: ROTATE BURNER AND VIEW BOTTOM SIDE TO COMPLETE STEP 7D.

1. Loosely attach burner resin trim with (1) #10 - 24 x 1/2" screw and (1) #10 - 24 flange nut.

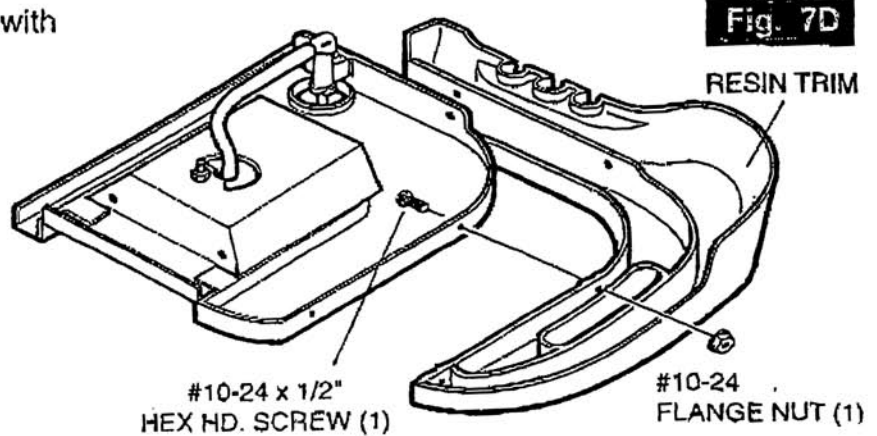
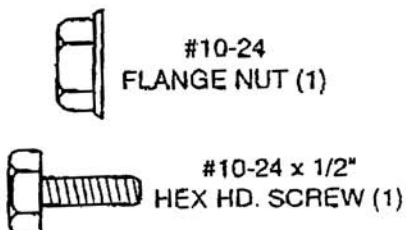


Fig. 7D

1A/B

Locate right side burner and loosely assemble (A) first, with (2) #10 - 24 x 1 1/2" screw and nuts, then (B) position support bracket as shown and assemble with (2) #10 - 24 x 1 1/2" screw and nuts, and (1) #10-24 x 3/4" screw and nut and tighten all connections.

2 Locate left shelf and assemble using (4) push pins. Insert fingers of push pin into hole and then push the pin in to lock into place.

3 Locate side burner grill and position into holes as shown.

UNDERNEATH VIEW OF SIDE BURNER ASSEMBLY

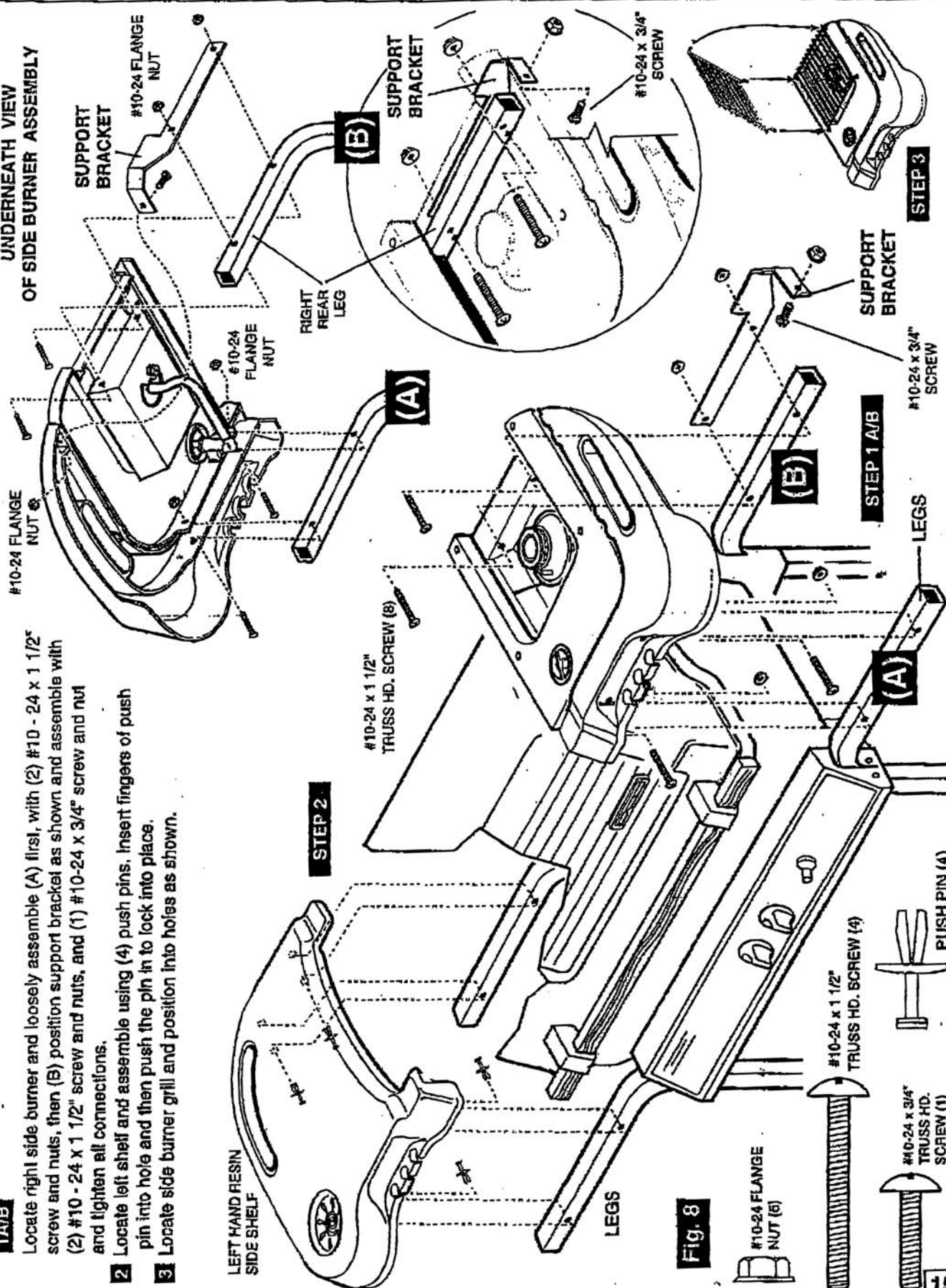
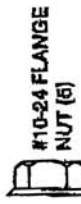


Fig. 8



#10-24 FLANGE NUT (5)



#10-24 x 1 1/2" TRUSS HD. SCREW (4)



#10-24 x 3/4" TRUSS HD. SCREW (1)



PUSH PIN (4)

- 1 Carefully insert and snap ignitor electrode to left with a twisting motion into ignitor clip as shown. Push ignitor clip between burner halves. Top surface of clip rests on top of burner flanges. Ensure clip is firmly in place.

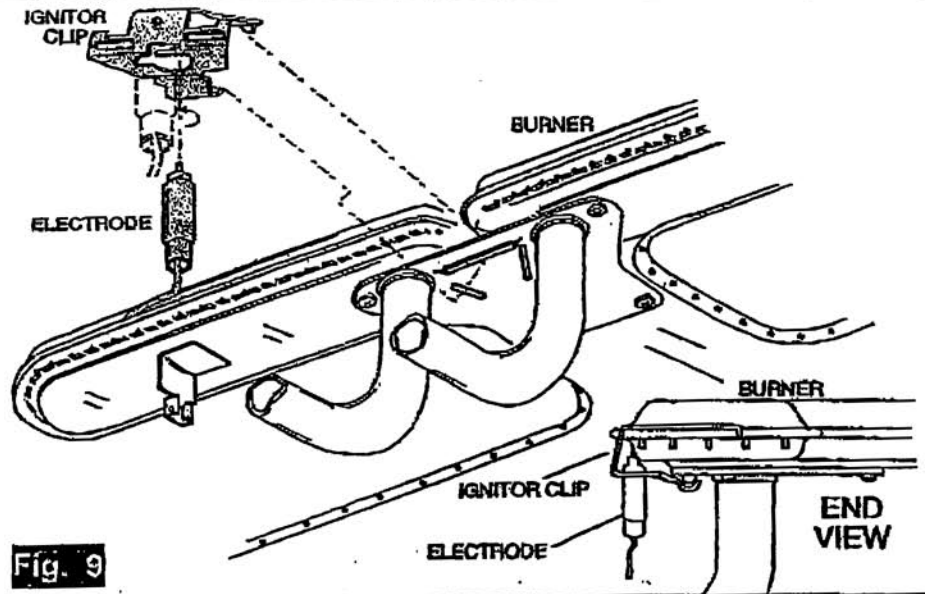


Fig. 9

- 1 Carefully install burner through holes in bottom of casting. Ensure end of ignitor electrode and wire fit down through hole in casting, and electrode does not get damaged. Also ensure burner legs fit into casting slots and that venturi tubes are centered over valve orifices by $3/8"$.
- 2 Attach wire to ignitor end terminal.
- 3 Secure (2) $1/16"$ cotter pins in 2 burner feet as shown.

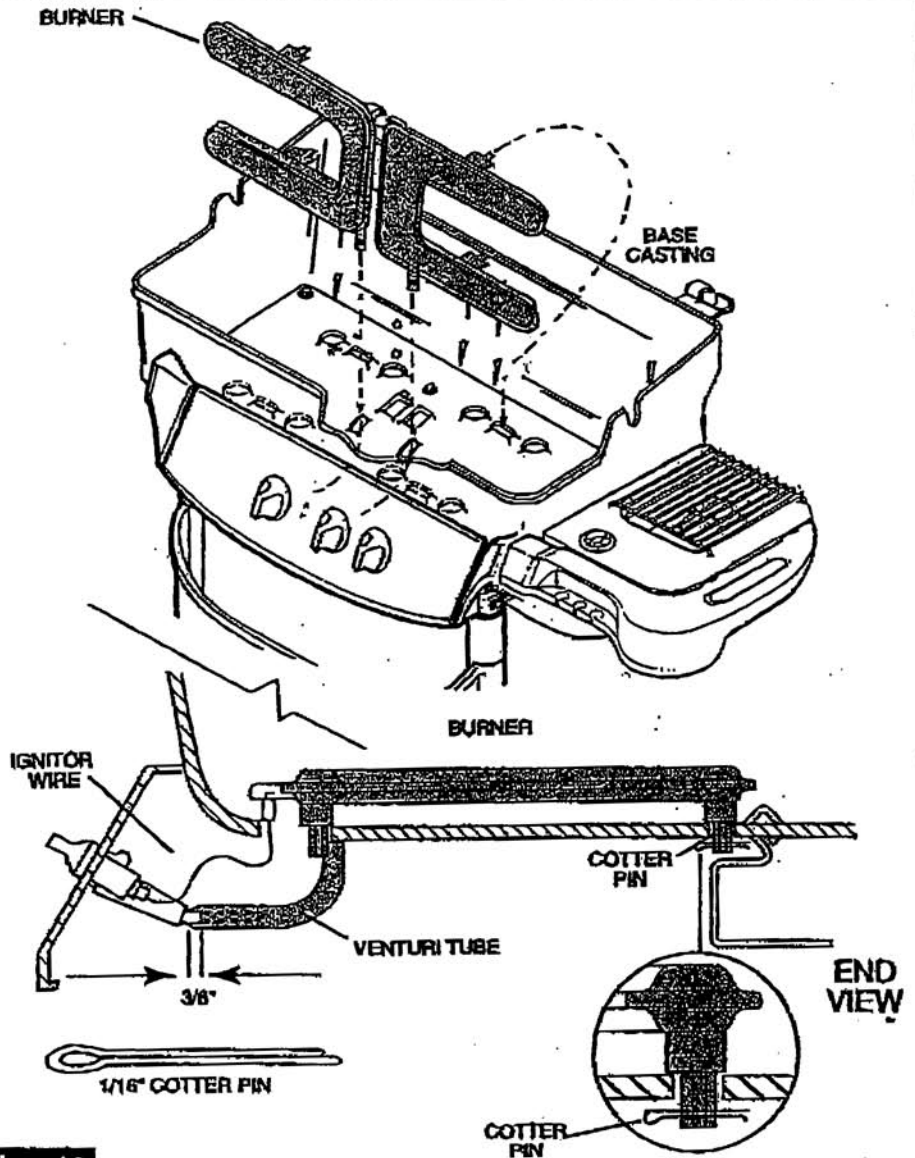


Fig. 10

1 Install two flame trap rods on 2nd from outside ribs inside base. Position flame trap with drain holes facing down on top of rods.

2a Install two porcelain wire cooking grids.
or

2b Install **OPTIONAL** porcelain steak grids.
or

2c Install **OPTIONAL** porcelain cast iron grids.

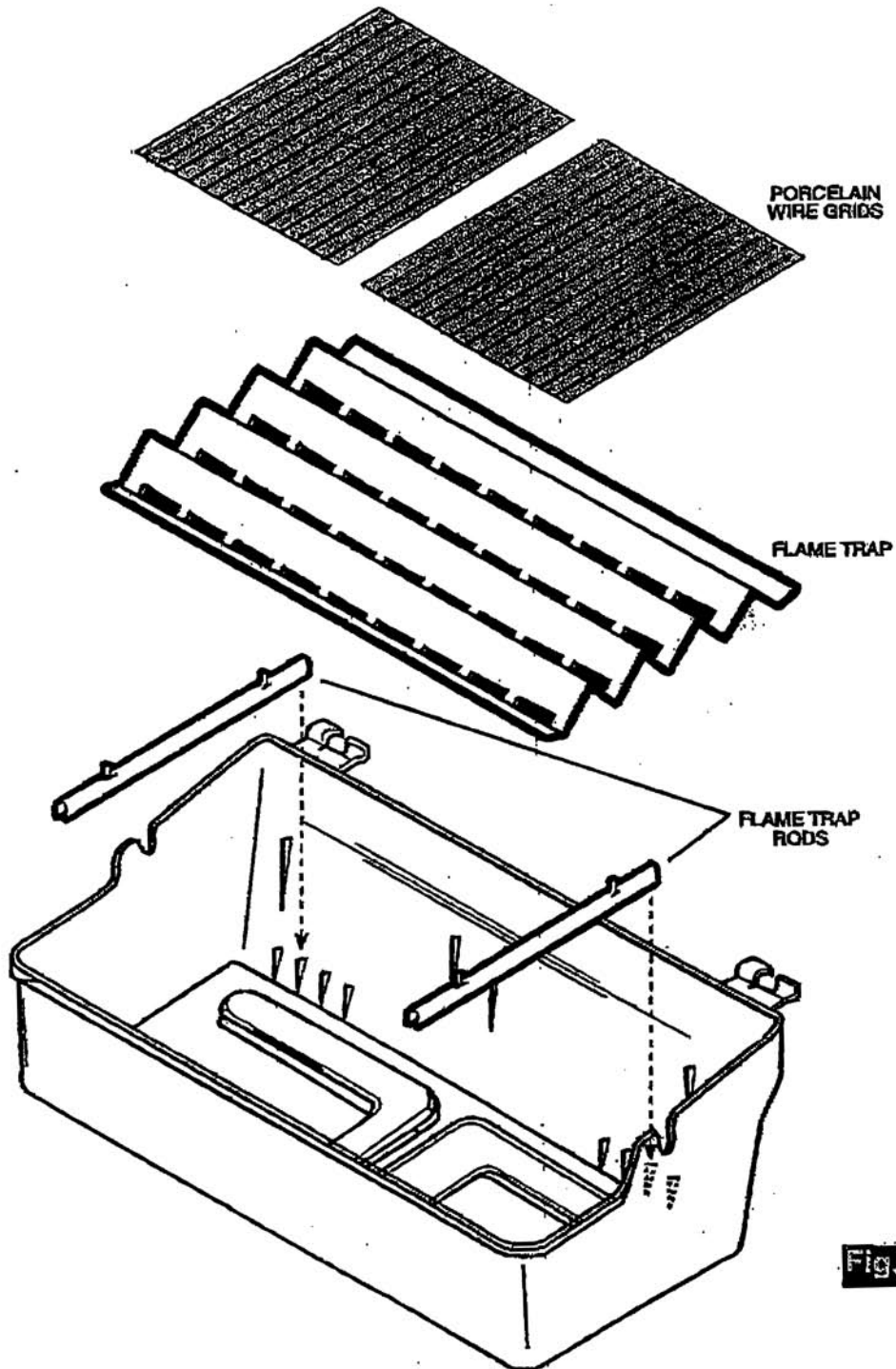


Fig. 11

12A • Position cover and secure with spring clip in groove on right hinge pin.

12B • Position plastic handle and gaskets as shown, and secure with (2) #10 - 24 wing nuts.

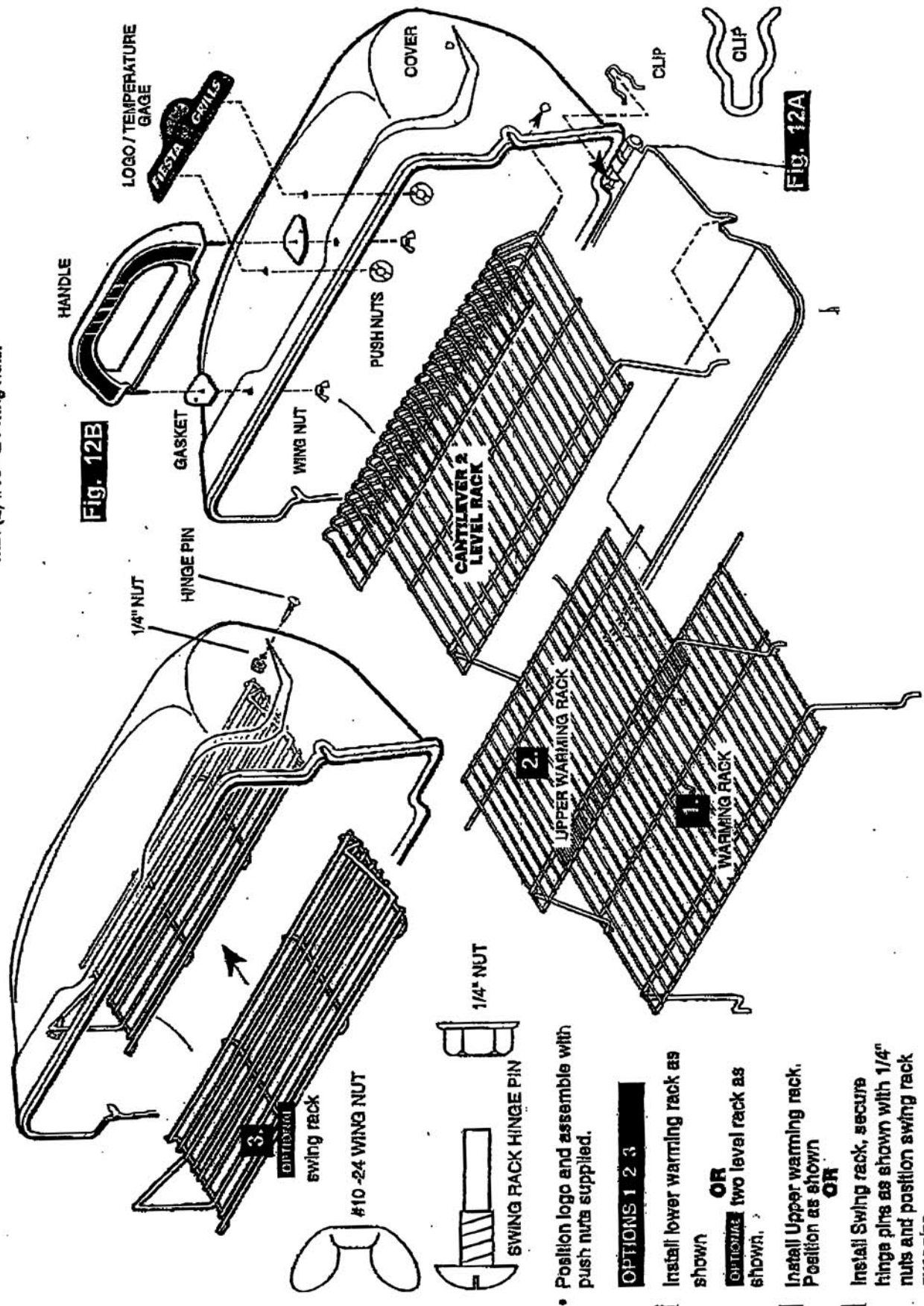


Fig. 12B

Fig. 12A

• Position logo and assemble with push nuts supplied.

OPTIONS 1 2 3

- 1** Install lower warming rack as shown **OR** **OPTIONAL** two level rack as shown.
- 2** Install Upper warming rack. Position as shown **OR**
- 3** Install Swing rack, secure hinge pins as shown with 1/4" nuts and position swing rack over pins.

12A • Position cover and secure with spring clip in groove on right hinge pin.

12B • Position plastic handle and gaskets as shown, and secure with (2) #10 - 24 wing nuts.

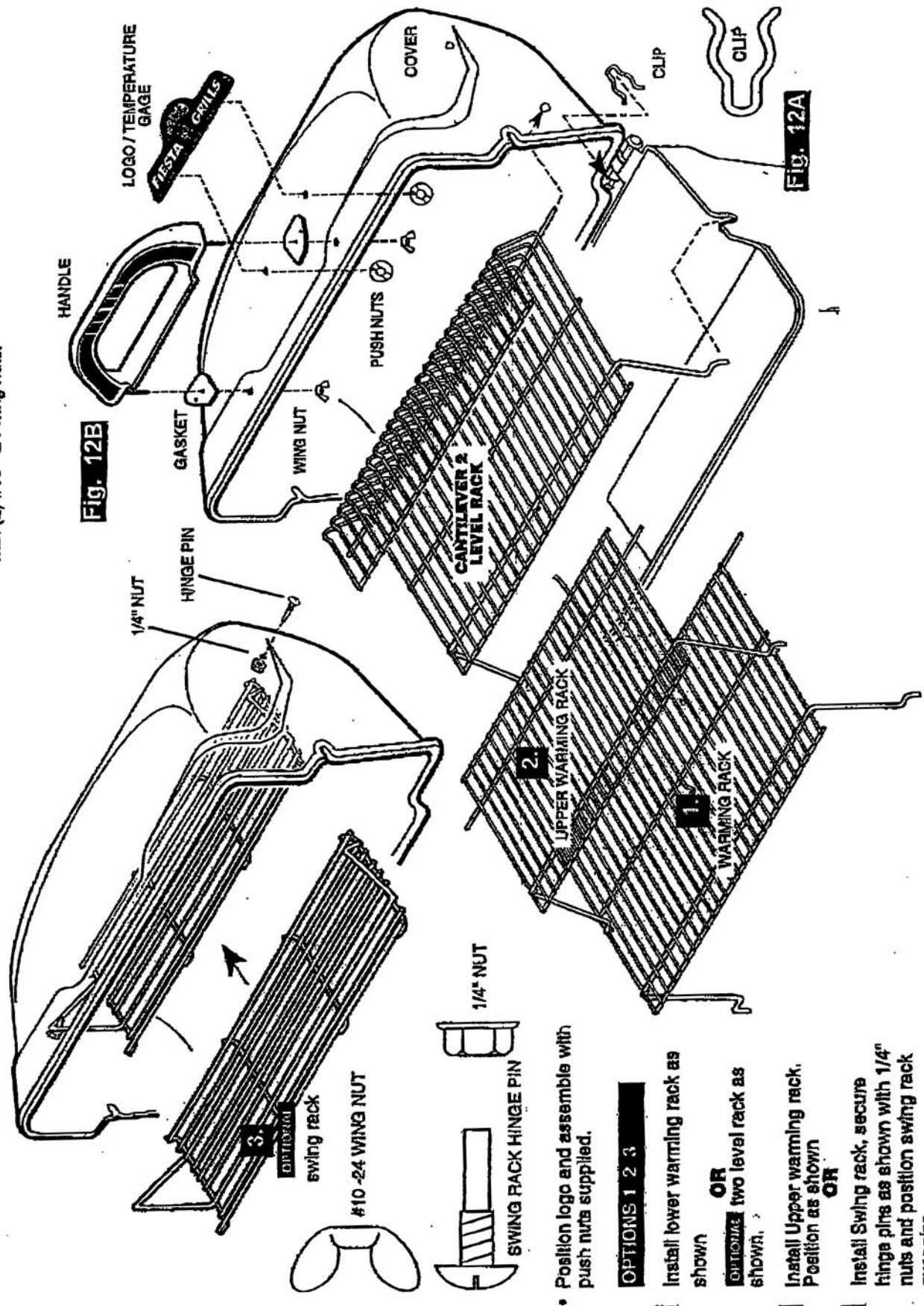


Fig. 12B

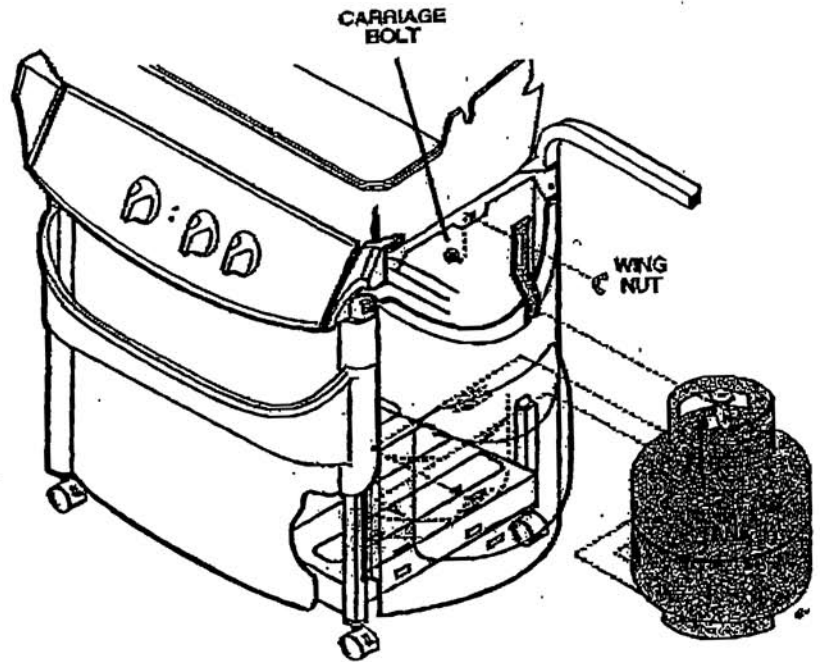
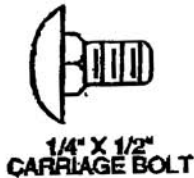
Fig. 12A

• Position logo and assemble with push nuts supplied.

OPTIONS 1 2 3

- 1** Install lower warming rack as shown **OR** **OPTIONAL** two level rack as shown.
- 2** Install Upper warming rack. Position as shown **OR**
- 3** Install Swing rack, secure hinge pins as shown with 1/4" nuts and position swing rack over pins.

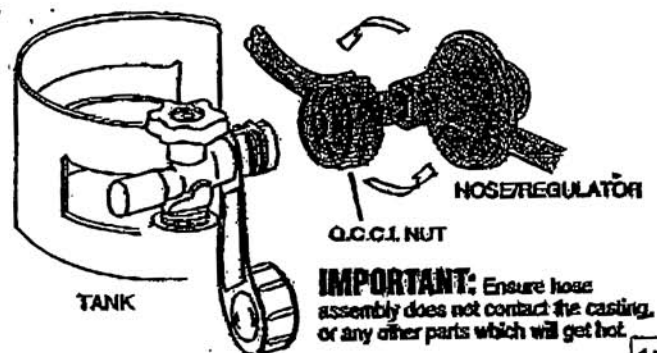
- 1 Loosely attach tank bracket using carriage bolt and wing nut.
- 2 Position tank on pan tank locator.
- 3 Raise tank bracket and position over tank ring.
- 4 Tighten wing nut.



WARNING: Before proceeding with the following steps, ensure you have read: • L.P. Gas Cylinder • Hose and Regulator Sections of the **USE AND CARE INSTRUCTIONS** located at the front of this manual. The L.P. gas cylinder, if supplied with your grill, has been shipped empty for safety reasons. The cylinder must be purged of air, and filled, prior to use. Follow all directions under "L.P. Gas Cylinder - Filling" section of the Use and Care Instructions.

- 1 Before attaching hose/regulator to tank, be sure cylinder valve and appliance valves are **OFF**. The Q.C.C.1 cylinder valve has an internal back check module which will not allow gas to flow until a connection has been made. The valve is turned off by rotating the handwheel (Fig. 2B, Use and Care) **Clockwise (left to right) until it stops**. When attaching regulator to tank, make sure that the small probe in the nipple is centered in the mating Q.C.C.1 cylinder valve, turn the right hand threaded Q.C.C.1 nut onto the valve in a clockwise motion until there is a positive stop. **DO NOT USE A WRENCH. HAND TIGHTEN ONLY.**

Fig. 14



ITEM NO.	PART NO.	DESCRIPTION	PARTS REQ. GT40045	OPTIONAL
1	SM48-1	COVER CASTING WITH LOGO & TEMP GAGE	1	X
2	SP29-19	COVER HANDLE WITH STUDS	1	
3	SP7-14	COVER HANDLE GASKETS	2	
4	SP24-16	#10-24 WING NUT	2	
5	SP11-30	FIESTA LOGO / TEMP GAUGE	1	
6	SP106-3	SWING RACK	1	X
7	SP48-24	SWING RACK HARDWARE (2 PINS W/NUTS)	1	X
8	SP4-15	COVER SPRING CLIP	1	
9	SP108-3	WARMING RACK UPPER	1	X
10	SP107-3	WARMING RACK LOWER	1	X
11	SP87-3	WARMING RACK - FORMED 2 LEVEL	1	X
12a	SP66-3	COOKING GRILL WIRE PORCELAIN	2	X
12b	SP5-3	COOKING GRILL WIRE PORCELAIN HEAVY	2	X
12c	SM2-3G	STEAK GRIDS STAMPED PORCELAIN	2	X
12d	SP121-3	STEAK GRIDS CAST PORCELAIN	2	X
13	SP25-9	FLAME TRAP BAR	1	
14	SP68-6	FLAME TRAP ROD	2	
15a	SM76-12	BURNER PROPANE - ALUMINIZED	1	X
15b	SM29-12	BURNER PROPANE - STAINLESS STEEL	1	X
15c	SM78-12	BURNER NATURAL ALUMINIZED	1	X
15d	SM43-12	BURNER NATURAL STAINLESS STEEL	1	X
16	SP2-32	COTTER PIN 1/16" X 1"	2	
17	SP17A-24	IGNITOR CLIP ON c/w ELECTRODE AND WIRE	1	
18	SM48-2	BASE CASTING	1	
19	SP6-15	GREASE CUP CLIP	1	
20	SP85-4	VALVE ASSEMBLY 45,000 B.T.U./HR - HOSE & REGULATOR	1	
21	SM26-31	CONSOLE (ROTARY IGNITOR GRILLS) SPECIFY PART # UNDER KNOB	1	
22	SP5A-7	KNOB ROTARY IGNITOR	1	
23	SP7-7	CONSOLE KNOB	2	
24	SP39B-24	ROTARY IGNITOR	1	
25	SM36-6	TANK BRACKET	1	
26	SM65-6	CASTING SUPPORT	2	
27	SM40-8	LEG	4	
28	SP2-17	WASHER	4	
29	SM12-9	BOTTOM PAN	1	
30	SP6A-9	L.H. RESIN SHELF	1	
31	SP26-15	PUSH PIN	10	
32	SP20-9	R.H. RESIN SHELF	1	
33	SP22-10	TANK 20 lb O.P.D.	1	X
34	SP11-18	1/4" FLANGE NUT	17	
35	SP5-18	1/4"-20 X 3/4" BOLT	4	
36	SP30-21	1/4"-20 X 1 1/2" TRUSS HEAD SCREW	12	
37	SP2-18	CARRIAGE BOLT	1	
38	SP2-16	WING NUT	1	
39	SP5-33	CASTER PLUG	4	
40	SP13-22	CASTER (LOCKING)	2	
41	SP14-22	CASTER (NON-LOCKING)	2	
42	SM30-6	BACK SUPPORT	1	
43	SP14-9	SIDE PANEL - RIGHT	1	
44	SP15-9	SIDE PANEL - LEFT	1	
45	SP16-9	FRONT PANEL - UPPER	1	
46	SP17-9	FRONT PANEL - LOWER	1	
47	SP18-9	LEG COVER - RIGHT	1	
48	SP19-9	LEG COVER - LEFT	1	

ITEM NO	PART NO	DESCRIPTION	PARTS REQ. GT48045	OPTIONAL
49	SM23B-2	SIDE BURNER BASE	1	
50	SP42-12	BURNER WITH IGNITOR	1	
51	SP23-16	#10-24 HEX NUT	7	
52	SM58-6	BURNER BRACKET	1	
53	SP91-3	SIDE BURNER GRILL	1	
54	SP41-18	#10-24 X 3/4" TRUSS HEAD SCREW	3	
55	SP6-7	SIDE BURNER KNOB	1	
56	SP40-18	#10-24 X 1 1/2" TRUSS HEAD SCREW	4	
57	SM60A-6	SUPPORT BRACKET	1	

CUSTOMER SERVICE TOLL FREE 1-800-396-3838

LEGEND

x } IDENTIFIES EITHER/OR OPTIONS
x }

x IDENTIFIES PART IS OPTIONAL DEPENDENT
ON FEATURES PURCHASED WITH GRILL

Fiesta Gas Barbeque Grill: MODEL GT 40045

How to Order Spare Parts: When ordering, always give the following information:

1. The Part Number
2. The Model Description
3. The Part Color
4. The Part Description
5. The Serial Number

