



the
Great Outdoors[®]
IRONWARE

Assembly and Owner's Manual

DG450 Portable Gas Grill



L.P. Gas
Cylinder
Not Included

ASSEMBLER / INSTALLER:

Leave these instructions with the consumer.

CONSUMER / USER:

Read all of these instructions and keep them in a safe place for future reference.

FOR YOUR SAFETY

If you smell gas:

- 1 Shut off gas to the appliance.
- 2 Extinguish any open flame.
- 3 Open lid.
- 4 If odor continues, immediately call your gas supplier or fire department.

FOR YOUR SAFETY

- 1 Do not store or use gasoline or other flammable vapors and liquids in the vicinity of this or any other appliance.
- 2 An unconnected liquid propane cylinder should not be stored in the vicinity of this or any other appliance.

FOR YOUR SAFETY: Never leave a grill unattended when in use.

Table of Contents

Page Number

Chapter 1 - INSTALLATION	4
Necessary Information	4
Choosing a Safe Location	4
Portable L.P. Gas Grills	5-7
L.P. Gas Dealer Instructions	8

Chapter 2 - ASSEMBLY INSTRUCTIONS	9
Step 1 (Identifying Parts)	10
Step 2 (Side Frames)	11
Step 3 (Grill Cart)	12
Step 4 (Grill Tub)	13
Step 5 (Side Tables)	14
Step 6 (Sideburner Valve)	15
Step 7 (Grill Lid)	16
Step 8 (Cooking Grids)	17
Step 9 (Warming Rack)	18
Step 10 (Drip Cup)	19
Installing an L.P. Gas Cylinder	20

Formerly: 

Now: 
CFM Corporation
2695 Meadowvale Boulevard
Mississauga, Ontario L5N 8A3 Canada
(800) 668-5323

www.cfmcorp.com

Service Note: If you are experiencing difficulties or are dissatisfied with your purchase, please contact CFM at the telephone number listed above prior to returning your grill to the store.

Ironware Series Gas Grill

Installation Chapter 1

Necessary Information to Safely Use a Gas Grill

The gas fuel used by this product is highly flammable and must be used in a responsible and cautious manner.

It is your responsibility to assemble, operate, and maintain your gas barbecue grill properly.



If these instructions are ignored, there is a possibility of a hazardous fire or explosion which could result in property damage, physical injury or death.

Choosing a Safe Location for a Gas Barbecue Grill

1. The gas barbecue grill may only be used for cooking out-of-doors.
 - Do not operate this barbecue in garages, breeze ways, sheds or any enclosed area.

- Operating this or any gas-fired appliance in an enclosed area can produce a build-up of carbon-monoxide, which could result in injury or death.

2. Installation must conform with local codes or, in the absence of local codes, with either the National Fuel Gas Code, ANSI Z223.1, NFPA 54 (USA), or CAN/CGA-B 149.2, Propane Installation Code (Canada) and CAN/CGA-B 149.1 Natural Gas Installation Code.

To check local codes, contact your local gas dealer or gas company listed in the Yellow Pages for recommended installation procedures and regulations.

3. This appliance is not intended to be installed in or on a recreational vehicle and/or boat.

4. Keep the barbecue grill at least 24 inches (61 cm) away from any combustible construction.

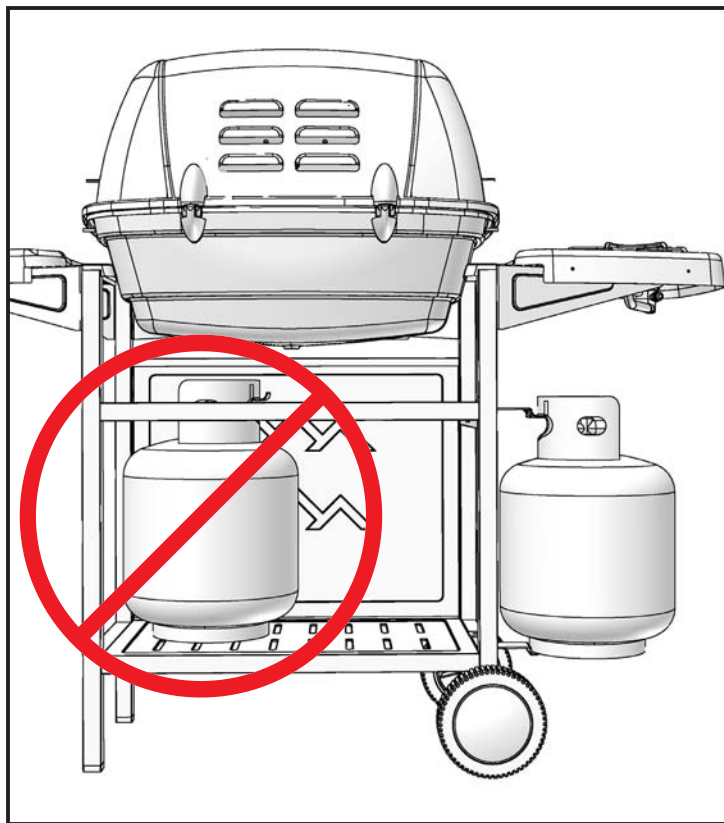
- Do not use a grill under a ceiling or cover where the heat or flame could cause damage.

- Choose a level surface where the grill is not facing directly into the wind.

- Avoid moving the grill during use.

5. The grill area must be clear and free from combustible materials, gasoline, and any other flammable liquids or vapors.

- Do not use lighter fluid or charcoal briquettes in a gas grill. The flow of combustion and ventilation air is not to be obstructed. The ventilation openings of the cylinder enclosure must be kept free and clear from other debris. Do not store grill covers or other items in the cylinder area.



6. Do Not store a spare L.P. gas cylinder under or near this appliance.

Do not store an L.P. cylinder in a building, garage or any other enclosed area. Instead, store the cylinder outdoors in a well ventilated area, away from people and out of the reach of children.

7. NOT FOR USE BY CHILDREN.

- Place your barbecue grill in a location away from children and pets.
- Do not leave grill unattended when in use.

8. The outside of the barbecue grill will become hot during use.

- To avoid burns, do not touch any hot grill surface. If necessary, use a protective glove when operating control knobs, tank shut-off valve, or lid handle.
- Do not place combustible material, such as cloth or plastic, on grill surface during use.
- Do not lean on side tables or place more than 15 pounds of weight on a side table.

9. Make sure that the drip pan is in place under the grill bottom.

- Hot drippings from cooking food could damage the fuel supply system.

IMPORTANT: NEVER leave a grill unattended when in use.

Portable L.P. Gas Barbecue Grills

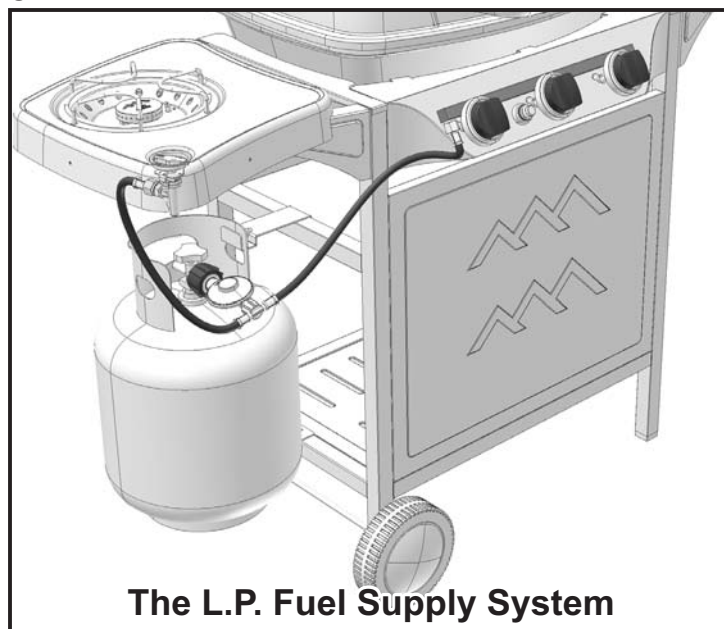
WARNING: Do not use natural gas in an appliance designed for L.P. gas. Use only liquid propane (L.P.) gas in an appliance designed for L.P. Gas.

L.P. Gas

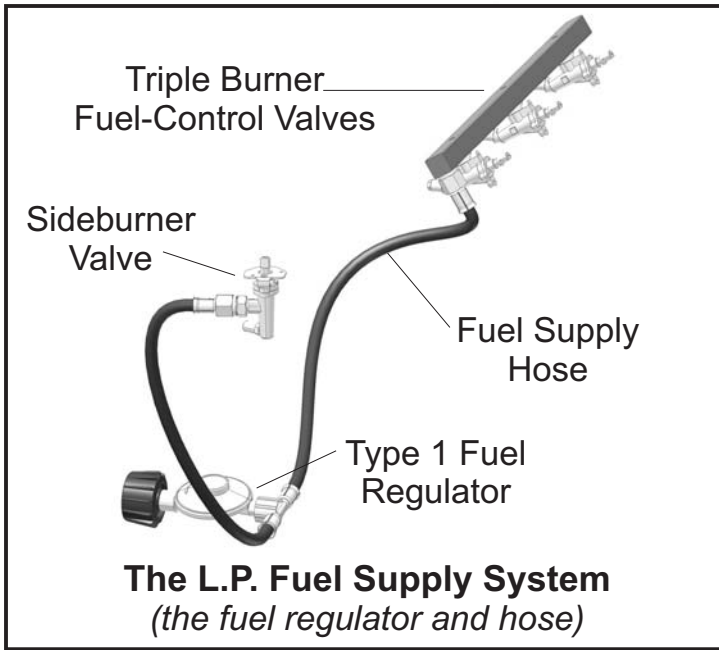
Liquid Propane (abbreviated L.P.) gas is stored under high pressure inside a cylinder and will vaporize when released. It is important that there are no leaky connections on the grill fuel supply system. Refer to the Leak Testing section of this manual.

The L.P. Fuel Supply System

An L.P. gas grill requires a fuel delivery system made up of a L.P. gas supply cylinder, a fuel regulator with hose and a gas-control valve.



The L.P. Fuel Supply System



FUEL REGULATOR AND HOSE

The fuel regulator supplied is equipped with a Type 1 coupling nut. Do not attempt to connect to any other L.P. cylinder not equipped with a mating Type 1 cylinder valve. This grill is not to be used with any other cylinder connection device.

The fuel regulator and hose assembly with the Type 1 fitting supplied must be used with the appliance. Do not use a hose and regulator assembly other than the one supplied with the grill or a manufacturer's replacement fuel pressure regulator assembly.

The Type 1 connection system has the following features:

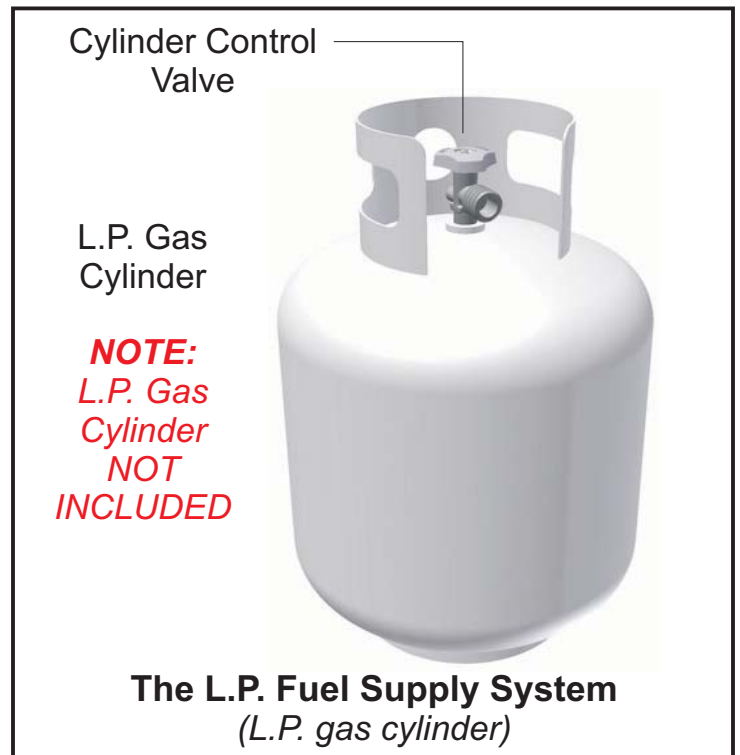
1. The system will not allow gas to flow until a positive connection has been made.
2. The system has a thermal element that will shut off the flow of gas between 240°F and 300°F.
3. The system has a flow-limiting device which, when activated, will limit the flow of gas to 10 cubic feet per hour.

4. The pressure regulator and hose assembly provided is factory set at an outlet pressure of 11 inches water column (.4 lb. per sq. Inch).

WARNING: Any attempt to adjust the regulator is dangerous and could create a situation causing personal injury or property damage. Consult your L.P. gas dealer if you think the regulator is not working properly.

L.P. GAS SUPPLY CYLINDER

L.P. Cylinders can be obtained at the store where you purchased your grill or from an authorized L.P. gas dealer.



L.P. GAS CYLINDER SPECIFICATIONS

Any L.P. gas-supply cylinder used with this grill must be approximately 12 inches diameter and 18 inches high. The maximum fuel capacity must be 20 pounds of propane. Full-cylinder weight should be approximately 38 pounds (43.7 lbs. Nominal water capacity).

The L.P. gas cylinder must have a shut-off valve terminating in a Type 1 L.P. gas-cylinder-valve outlet. A Type 1 compatible cylinder with a Type 1 cylinder valve has a positive seating connection that does not permit gas flow until a positive seal has been obtained.

The cylinder must be arranged for vapor withdrawal. It must also include a collar to protect the cylinder valve. A safety-relief device having direct communication with the vapor space of cylinder must be provided. This will expel high-pressure gas if the cylinder is overfilled or overheated.

All L.P. gas cylinders used with this appliance shall be constructed and marked in accordance with the specifications for L.P. gas cylinders of the U.S. Department of Transportation (DOT) or the National Standard of Canada, CAN/CSA-B339, Cylinders, Spheres and Tubes for Transportation of Dangerous Goods; and Commission, as applicable; and shall be provided with a listed overfilling-prevention device. Read labels on the L.P. gas-supply cylinder.

DANGER: Do not insert any foreign objects into the valve outlet. You may damage the back check, A damaged back check can cause a leak, which could result in explosion, fire, severe personal injury or death.

Allow only a qualified L.P. gas dealer to fill or repair an L.P. gas-supply cylinder.

Inform the gas dealer if it is a new or used cylinder to be filled. Caution the gas dealer not to overfill the fuel cylinder.

After filling, have the gas dealer check for leaks and that the relief valve remains free to function.

Have the gas dealer weigh the cylinder after filling to ensure that the cylinder is not overfilled.

DANGER:

- a.) Do not store a spare L.P. gas cylinder under or near this appliance.
- b.) Never fill the gas cylinder beyond 80 percent full.
- c.) If the information in (a.) and (b.) Is not followed exactly, a fire causing serious injury or death may occur.

TRANSPORTING A FULL CYLINDER

WARNING: Handle a full cylinder with care. Gas is under high pressure.

You should transport only one cylinder at a time. Transport the cylinder in an upright and secure manner with the control valve turned off and the POL dust cap in place.

Do not transport a cylinder in the passenger compartment of a vehicle.

Do not leave cylinder in direct sunlight or in a high-heat area such as a closed car trunk. High-heat areas could cause the relief valve to vent gas.

Use a cylinder cap on the cylinder-valve outlet during transport and when the cylinder is not connected to the grill. Keep cylinder valve closed when not in use.

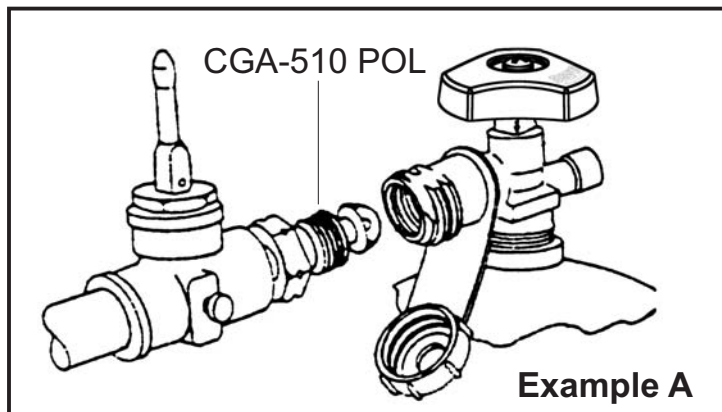
Take These Instructions to the L.P. Gas Dealer

When using a cylinder exchange, be sure the exchanged cylinder is a Type 1 cylinder; a 510 POL cylinder will not fit a Type 1 regulator.

FILLING AND PURGING TYPE 1 L.P. GAS CYLINDERS

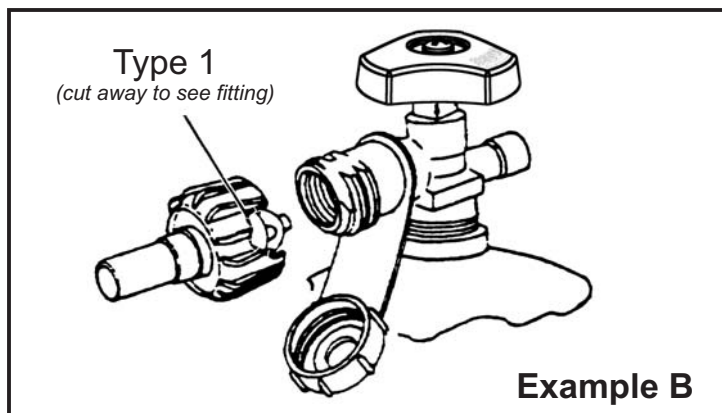
DANGER: Purging and filling of L.P. gas cylinders must be performed by personnel who have been thoroughly trained in accepted L.P. gas industry procedures. Failure to follow this instruction may result in explosion, fire, severe personal injury or death.

IMPORTANT: Purge new cylinders before filling. This tank is easily filled with a standard CGA 510 POL filling connection.



Filling a Type 1 Cylinder Valve

Example A: shows a CGA-510 POL fitting.
Example B: shows using a Type 1 POL fitting.



The L.P. gas cylinder has a Type 1 cylinder valve with a back-check module in its outlet that will not permit gas to flow until an evacuation device is installed. To purge the L.P. gas cylinder, the back-check module must be opened with an evacuation device.

PURGING AND EVACUATION DEVICES FOR L.P. GAS CYLINDER WITH TYPE 1 CYLINDER VALVES

A. Hose-end valve with a bleed port: Purging can be accomplished using a hose-end valve containing a bleed port, which also allows for evacuation without the use of an adapter.

B. Hose-end valve without a bleed port: When a hose-end valve does not have a bleed port, a separate device must be used for evacuation.

C. Purging using a Type 1 connection: L.P. gas cylinder evacuation can be accomplished during each purging by using a Type 1 connection. The Type 1 valve outlet has 1-5/16" external ACME right-hand thread that will accept this connection.

CAUTION: After purging or filling an L.P. gas cylinder, do not insert a POL plug into the valve outlet. Insertion of this plug will prevent the back-check from closing. Use ONLY the provided cap and strap attached to the outlet. Close the cylinder valve knob before returning the cylinder to the customer.

For proper purging procedures in the USA, refer to: Safety Bulletin NPGA # 133, "Purging L.P. Gas Cylinders," and Safety Bulletin NPGA #130, "Recommended Procedures for Filling Cylinders."

DANGER: Do not fill an L.P. gas cylinder beyond 80% full. If this information is not followed exactly, a fire causing serious injury or death may occur.

Ironware Series Gas Grill

Assembly Instructions Chapter 2

Getting Started

1. Please follow the steps in the order that they are presented.
2. Assemble the grill where you plan to use it.
3. You may want to place an old towel or cloth at the assembly site to prevent nuts and bolts from becoming lost.
4. Have a friend help. An assistant can make the assembly easier by holding the parts in place while you fasten the nuts and bolts.
5. To be ready to barbecue immediately, have the L.P. gas cylinder filled by an authorized L.P. dealer or cylinder exchange center.

Unpacking the Grill Parts

1. Remove and set aside all inner boxes and parts from the master carton.
2. Remove and set aside all wrapping paper and additional packaging from the parts.
3. Do not destroy carton or packing until your grill is completely assembled and operating to your satisfaction.

Tools needed to assemble grill: (tools included)

- Phillips-head screwdriver
- 17mm / 7mm open-end wrench*

* A socket set or an adjustable wrench may be used in place of the open-end wrenches if desired.

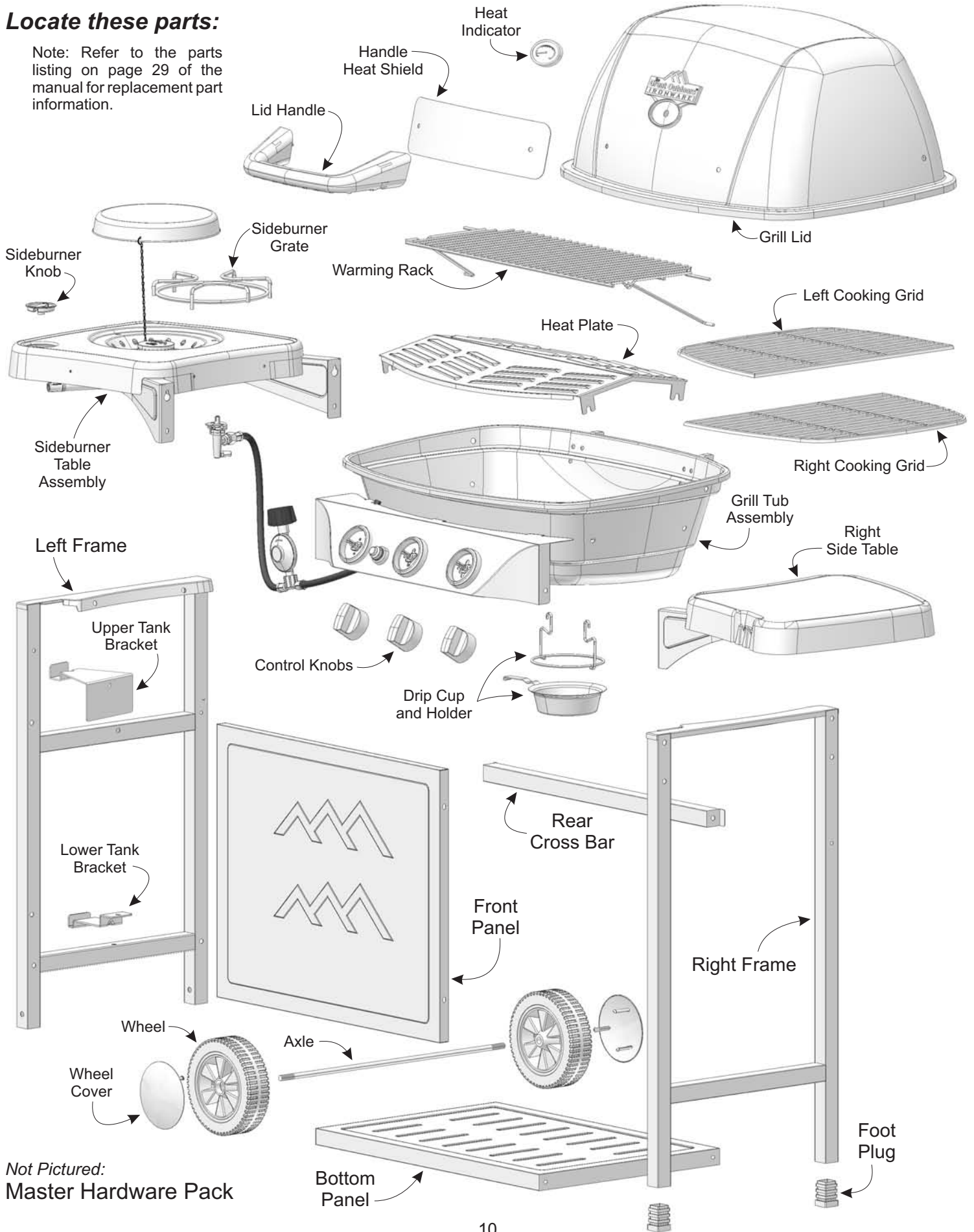


Assembly Step 1 - Identifying the Grill Parts

English

Locate these parts:

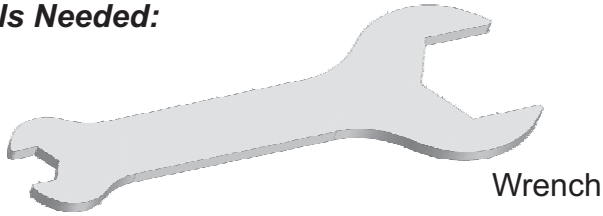
Note: Refer to the parts listing on page 29 of the manual for replacement part information.



Not Pictured:
Master Hardware Pack

Assembly Step 2 - Assemble the Side Frames

Tools Needed:

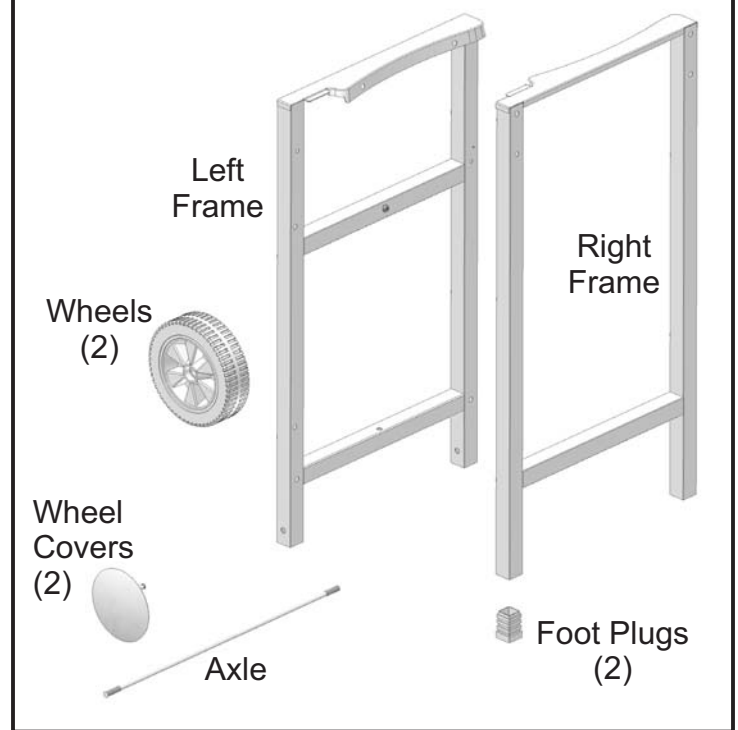


USE HARDWARE "A"

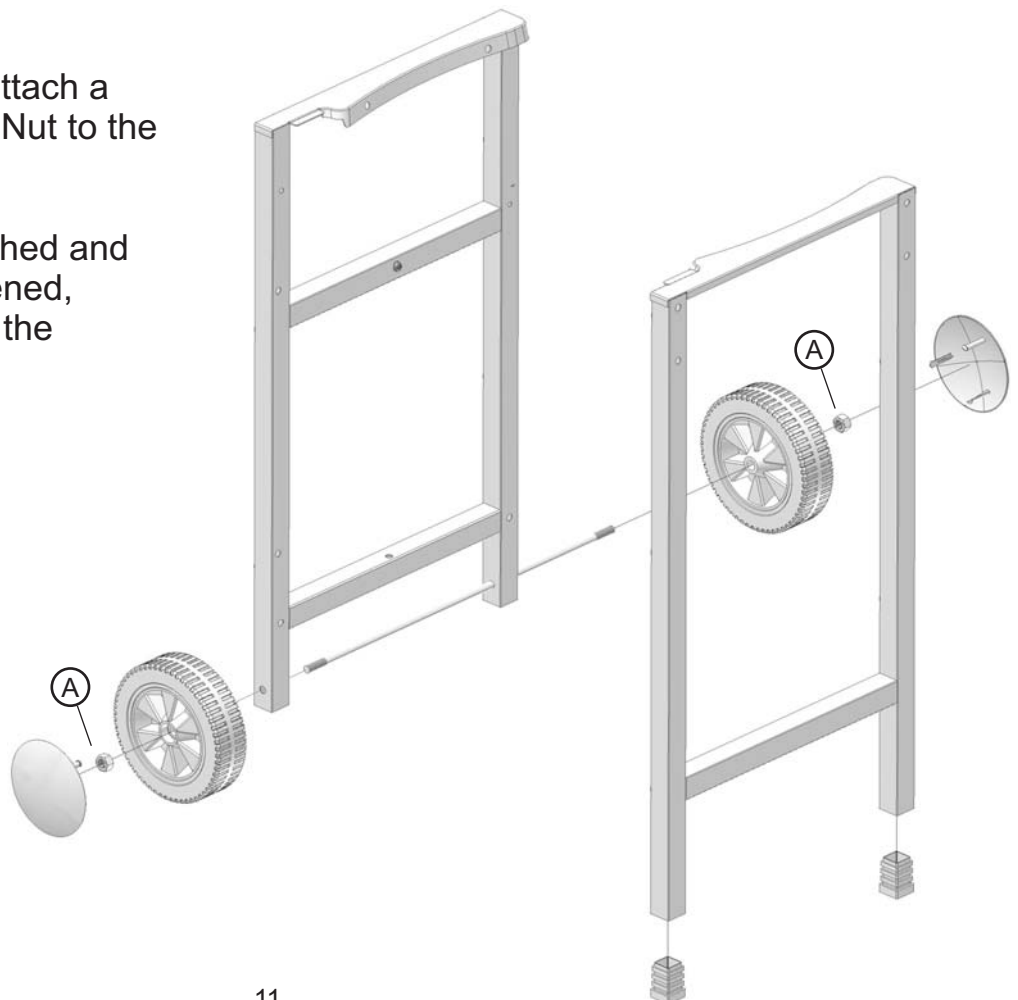


(A)
M10 Axle
Nut (2)

LOCATE THESE PARTS:



1. Insert the Foot Plugs into the ends of the Right Frame legs as shown.
2. Insert the Axle through the axle holes in the bottom of the Left Frame legs as shown.
3. For each end of the Axle, attach a wheel and tighten the Axle Nut to the end of the Axle.
4. After both wheels are attached and the nuts are securely tightened, place the Wheel Covers to the outside of the Wheels.



Assembly Step 3 - Assemble the Grill Cart

Tools Needed:



Phillips head screwdriver

USE HARDWARE "B"

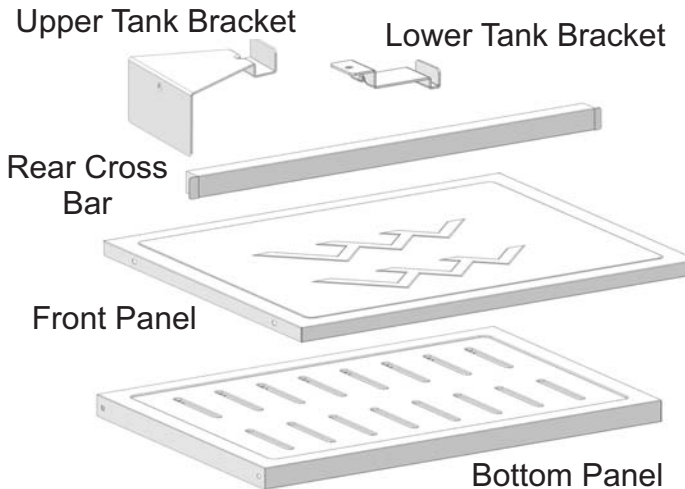


(A)
M6x10mm
Bolt (10)



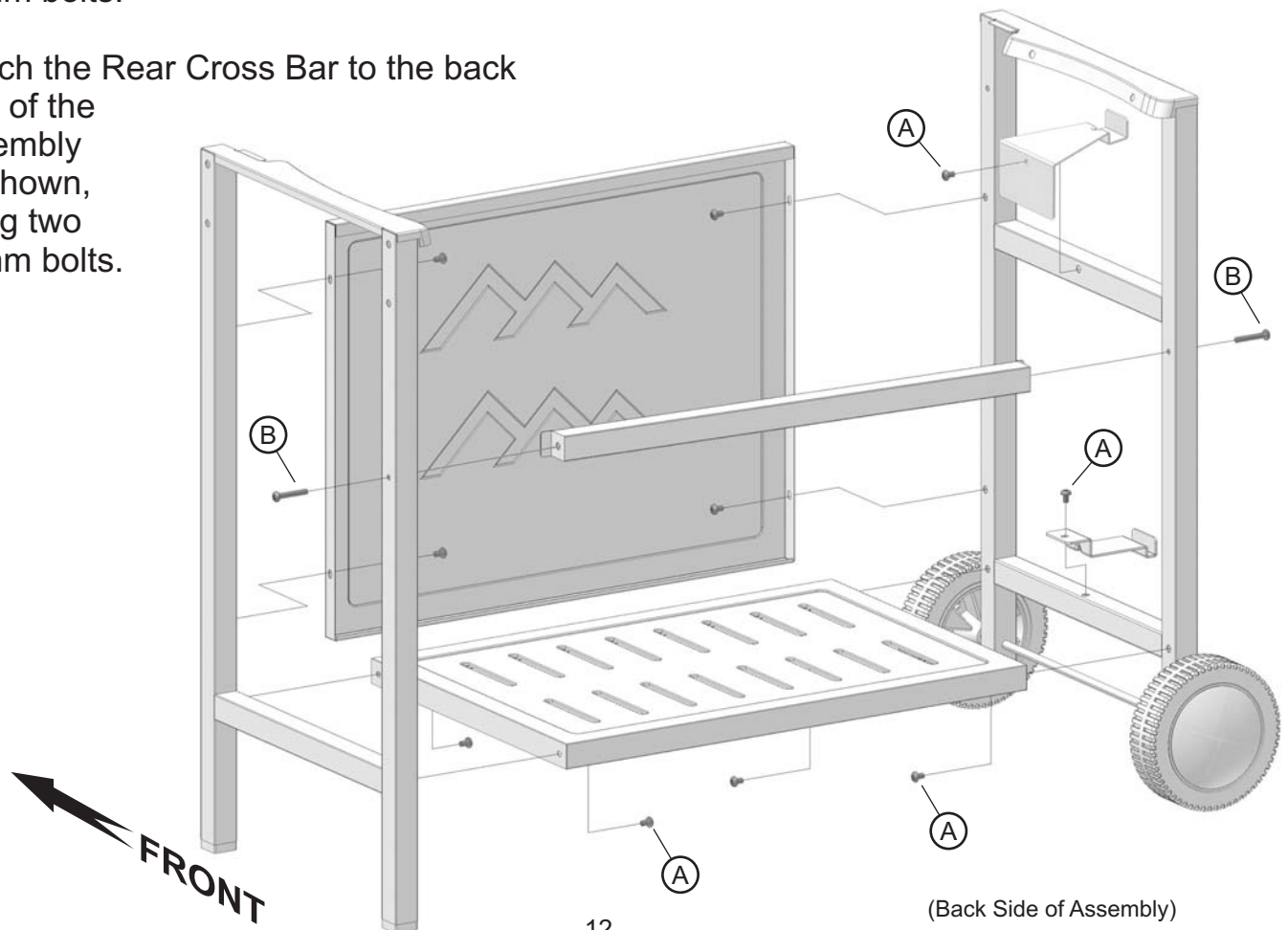
(B)
M6x40mm
Bolt (2)

LOCATE THESE PARTS:



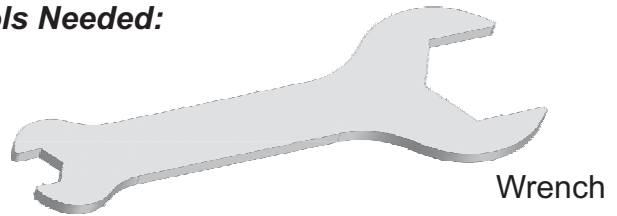
1. Attach the Bottom Panel to the Left and Right Side Frames as shown, using four 10mm bolts.
2. Attach the Front Panel to the Left and Right Side Frames as shown, using four 10mm bolts.
3. Attach the Rear Cross Bar to the back side of the assembly as shown, using two 40mm bolts.

4. Attach the Upper and Lower Tank Brackets to the Left Side Frame as shown, using the two remaining 10mm bolts.

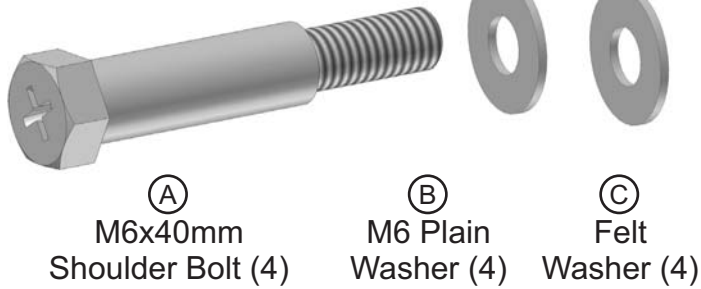


Assembly Step 4 - Attach the Grill Tub

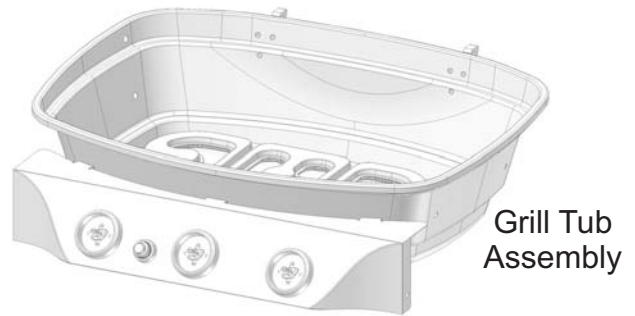
Tools Needed:



USE HARDWARE "C"



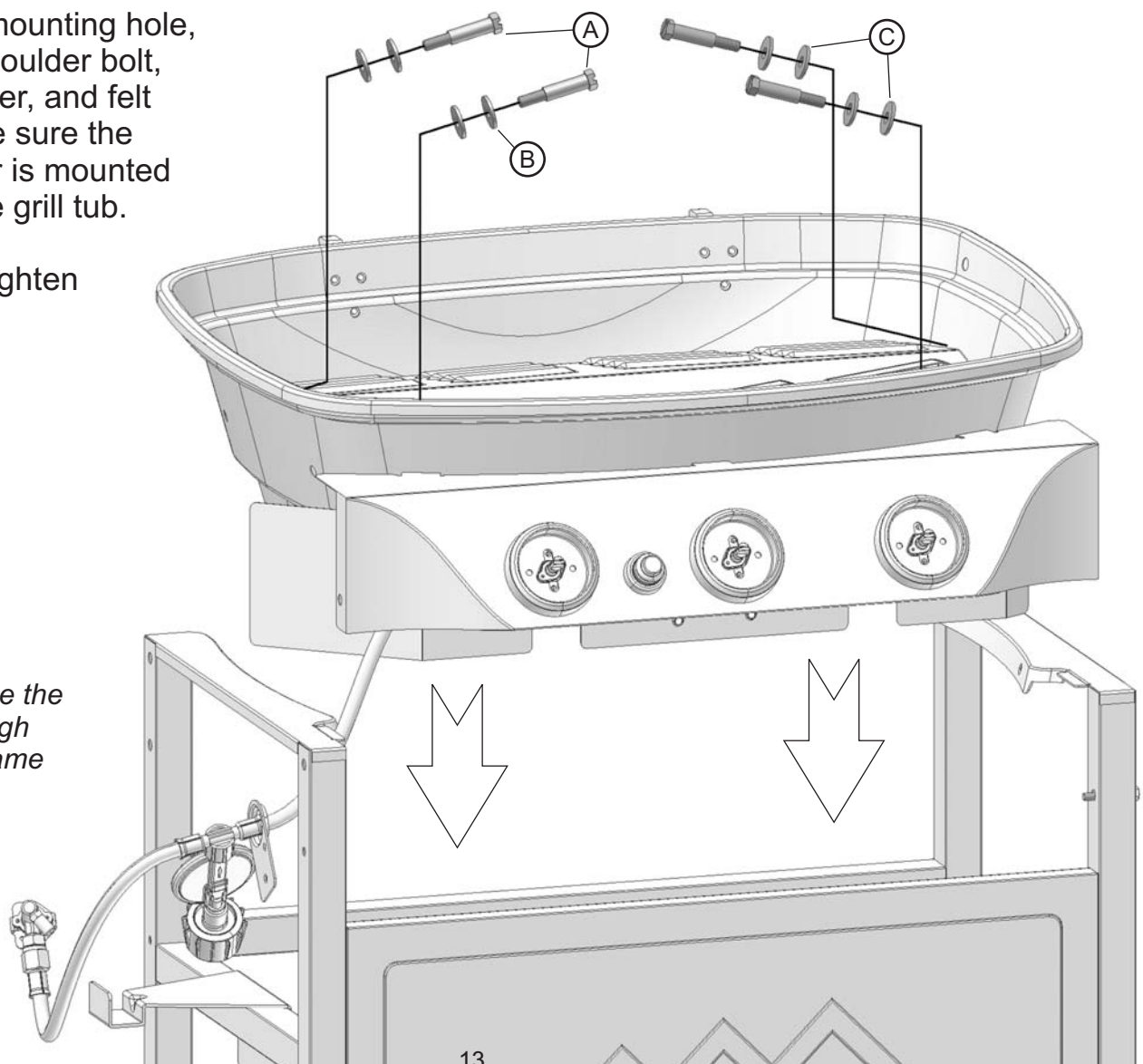
LOCATE THESE PARTS:



1. Set the Grill Tub Assembly onto the top of the frame assembly as shown.

The bolt holes are located at the left and right side on the inside of the grill tub. There are two bolt holes for each side.

2. For each mounting hole, insert a Shoulder bolt, plain washer, and felt washer. Be sure the felt washer is mounted against the grill tub.
3. Securely tighten the bolts.

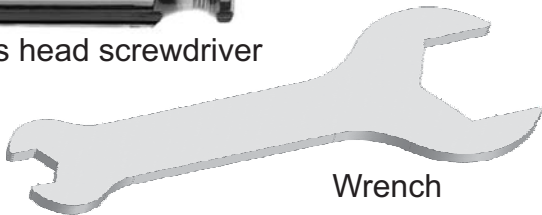


Assembly Step 5 - Attach the Side Tables

Tools Needed:



Phillips head screwdriver



Wrench

USE HARDWARE "D"

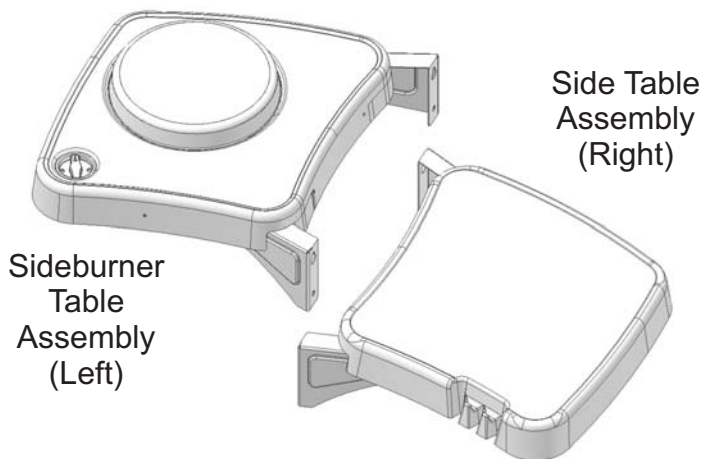
(A) M6x45mm Bolt (2)



(B) M6x15mm Bolt (6)

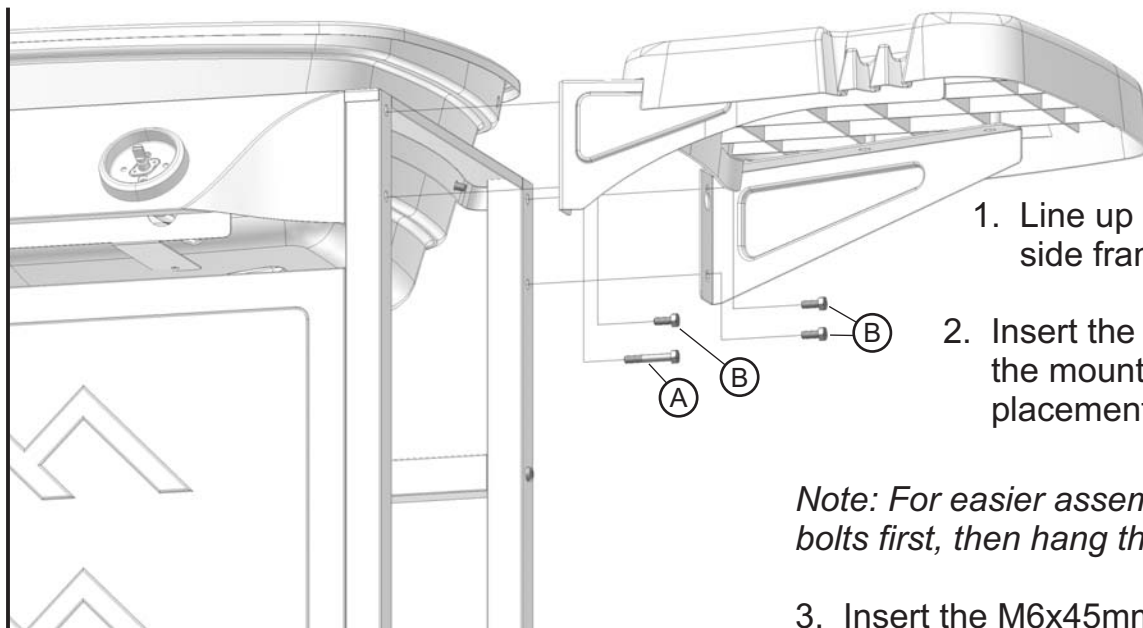


LOCATE THESE PARTS:



Side Table Assembly (Right)

Sideburner Table Assembly (Left)



Right Side Table Assembly Shown - Repeat steps for Left Sideburner Table Assembly

1. Line up the Side Table to the side frame as shown.

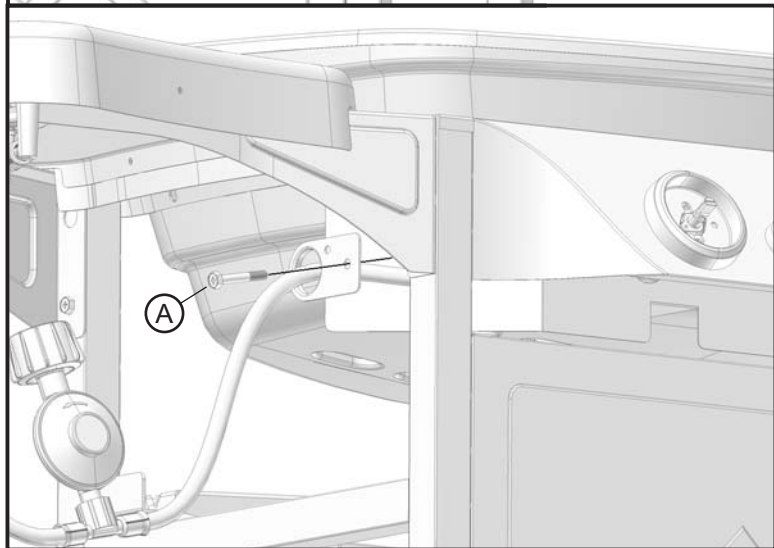
2. Insert the M6x15mm bolts into the mounting holes in the placement as shown.

Note: For easier assembly, insert the top two bolts first, then hang the table from them.

3. Insert the M6x45mm bolt into the mounting hole position shown. (Lower front position)

4. Securely tighten the bolts and repeat the steps for the other side table.

5. When installing the Sideburner Table, mount the hose bracket with the lower front bolt as shown. The hose bracket is already attached to the hose. Make sure there are no kinks in the hose.



Assembly Step 6 - Attach the Sideburner Valve

Tools Needed:



Phillips head screwdriver

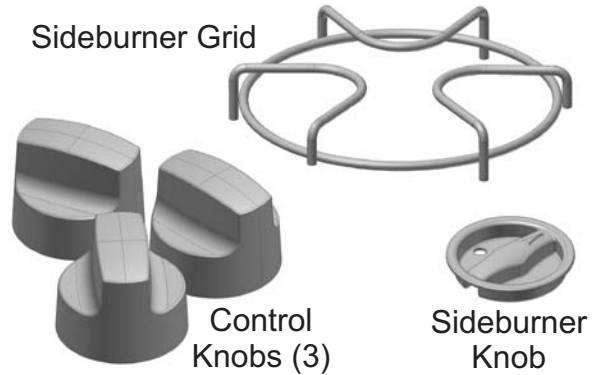
USE HARDWARE "E"

(A)
M4x8mm
Bolt (2)



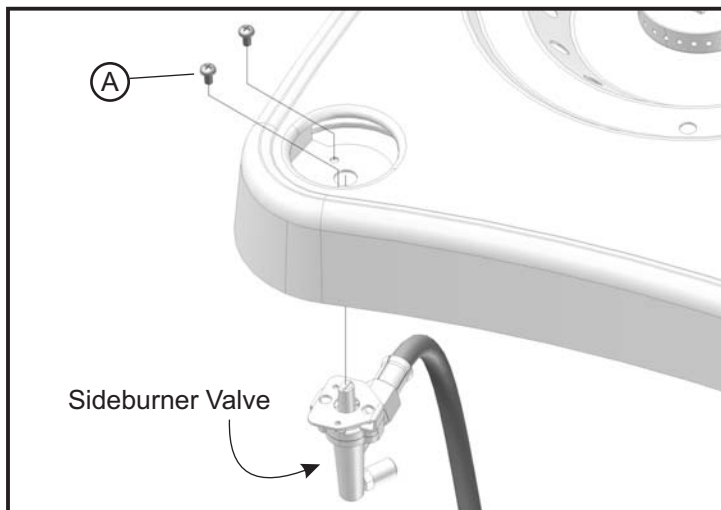
LOCATE THESE PARTS:

Sideburner Grid

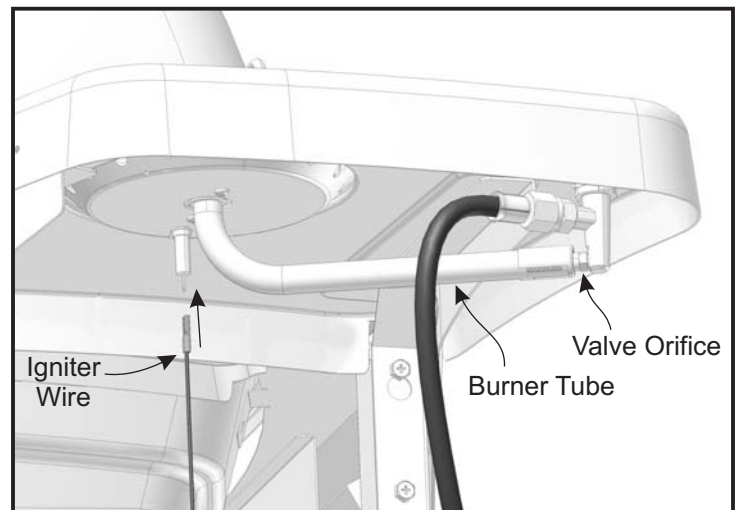


Control
Knobs (3)

Sideburner
Knob



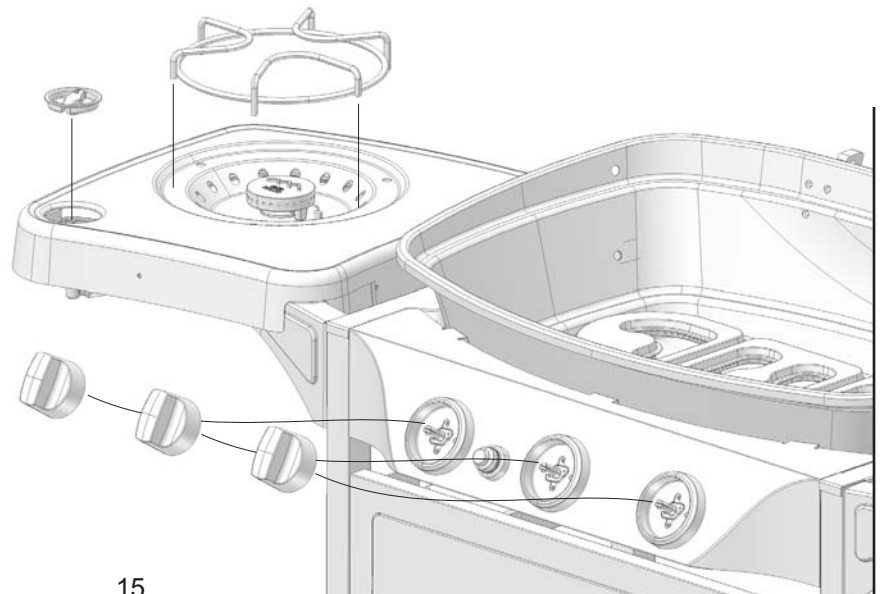
Sideburner Valve



Igniter
Wire

Valve Orifice
Burner Tube

1. Locate the Sideburner Valve at the end of the gas hose.
2. Insert the valve stem up through the bottom of the sideburner table as shown.
3. Insert the two M4x8mm bolts to secure the valve.
Make sure the orifice of the valve is inserted into the end of the burner tube as shown. It may be necessary to loosen the brass burner to get the orifice into the tube.
4. Locate the loose igniter wire under the control panel and attach it to the igniter electrode.
5. Push the three main burner control knobs onto the control valves on the control panel.
6. Push the sideburner control knob onto the sideburner control valve.
7. Set the sideburner grate onto the sideburner table.

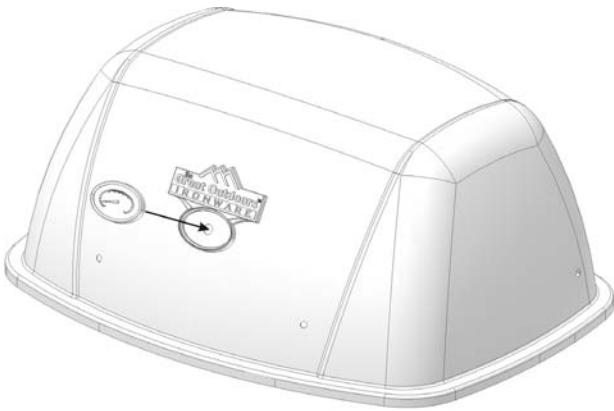
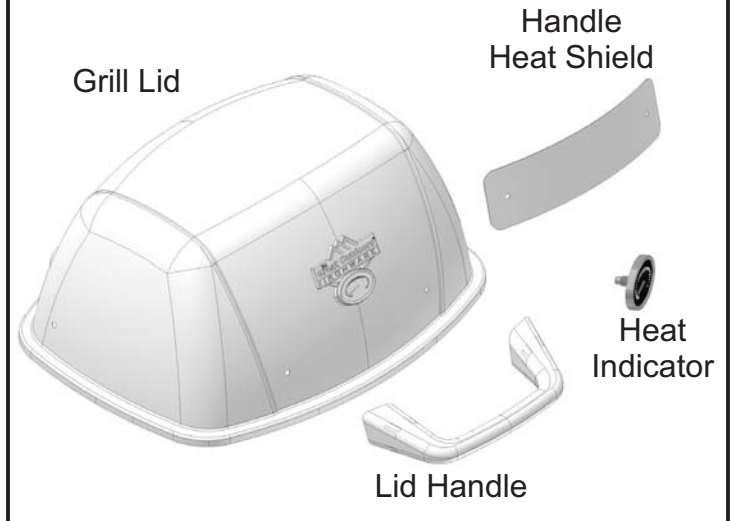


Assembly Step 7 - Install the Grill Lid

USE HARDWARE "F"

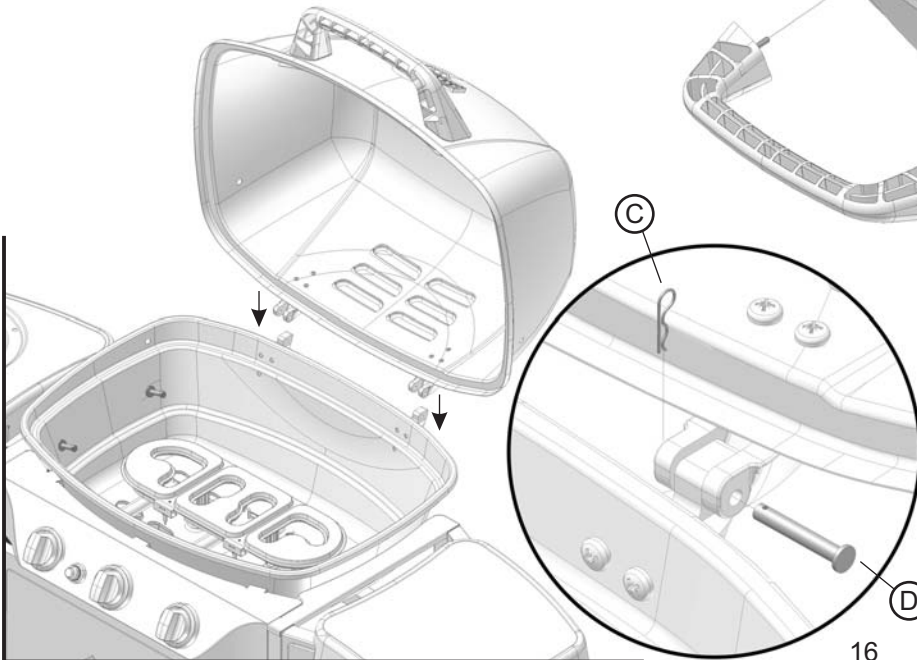
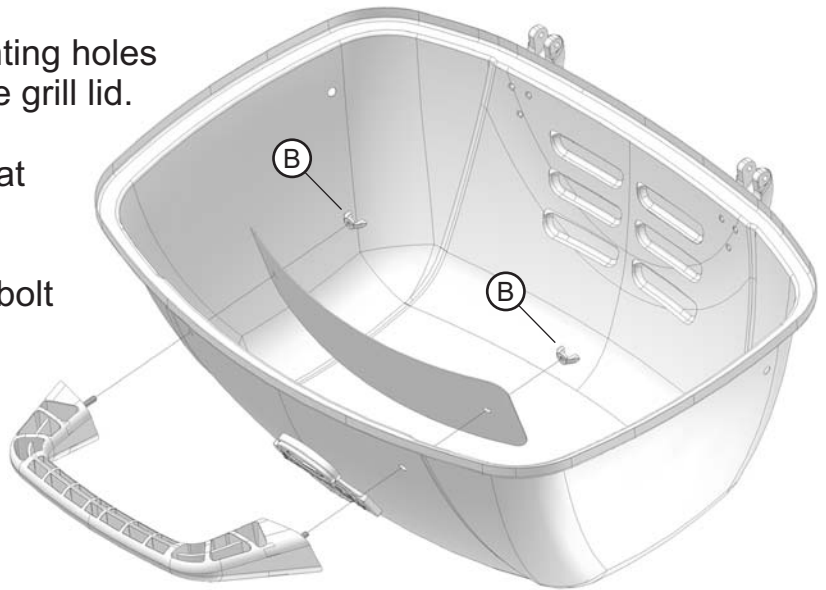


LOCATE THESE PARTS:



1. Insert the Heat Indicator into the front of the lid from the outside and secure it with the nut and washer (A) from the inside.

2. Align the lid handle bolts with the mounting holes in the lid and mount the handle onto the grill lid.
3. From the inside of the lid, place the Heat Shield onto the handle bolts.
4. Thread on a wing nut for each handle bolt and securely tighten the wing nuts.



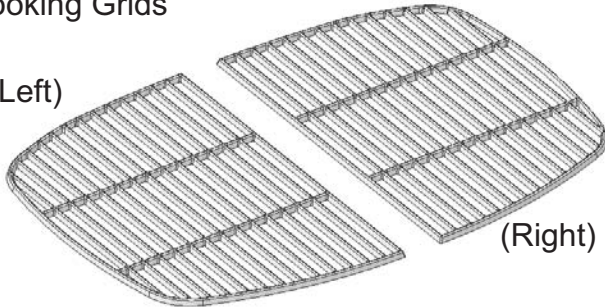
5. Line up the Grill Lid hinges with the Grill Tub hinges as shown at left.
6. For each hinge, insert a Hinge Pin and secure it with the Pin Clip.

Assembly Step 8 - Installing the Grids

LOCATE THESE PARTS:

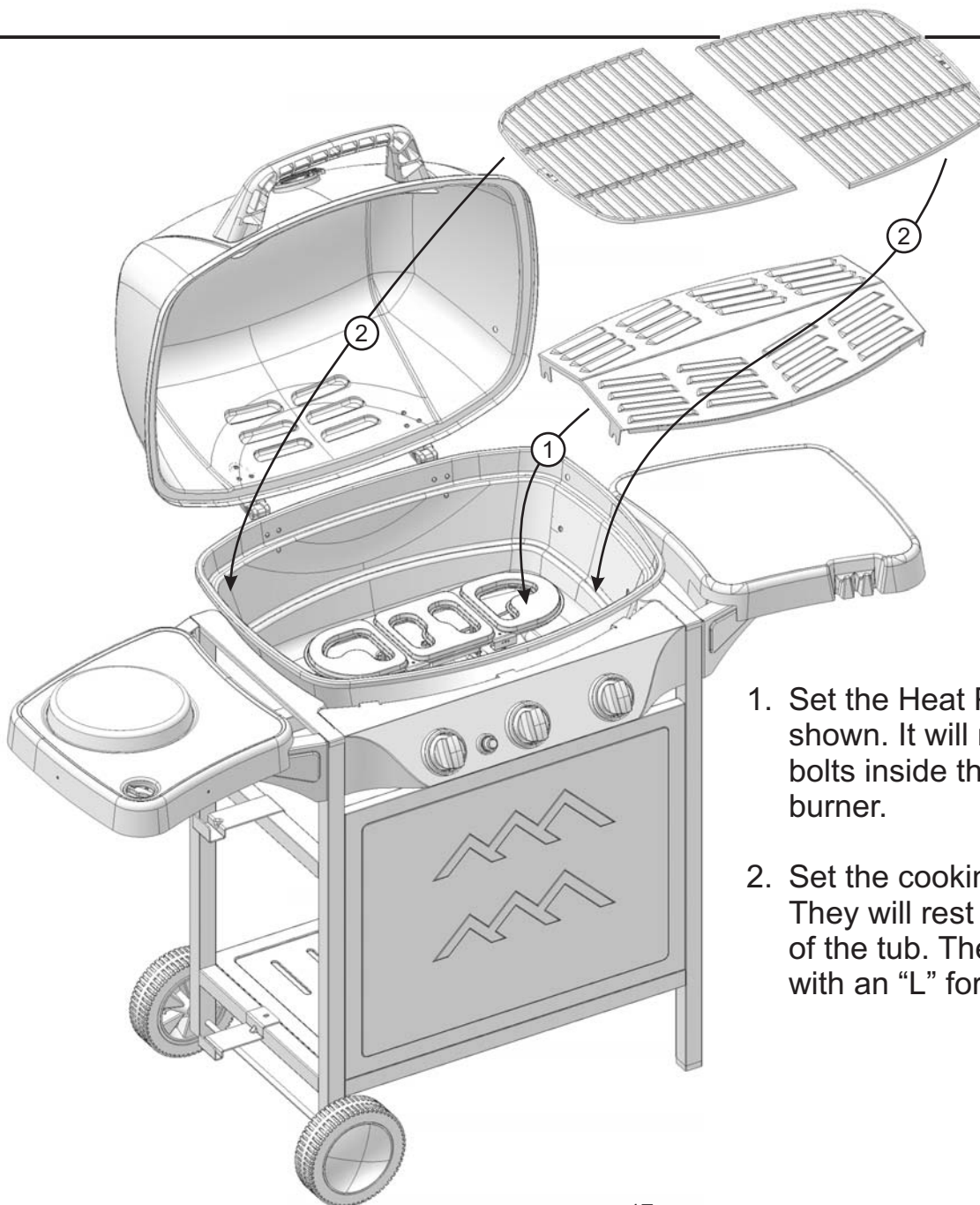
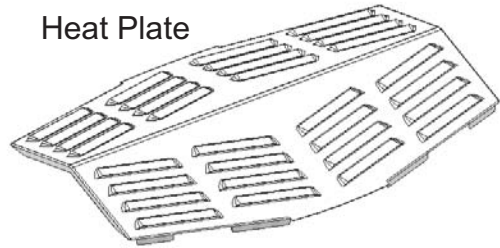
Cast Iron
Cooking Grids

(Left)



(Right)

Heat Plate



No tools are required
for this step.

1. Set the Heat Plate into the tub as shown. It will rest on the protruding bolts inside the tub, just above the burner.
2. Set the cooking grids into the tub. They will rest on the topmost ledge of the tub. The grids are marked with an "L" for left and "R" for right.

Assembly Step 9 - Install the Warming Rack

LOCATE THESE PARTS:



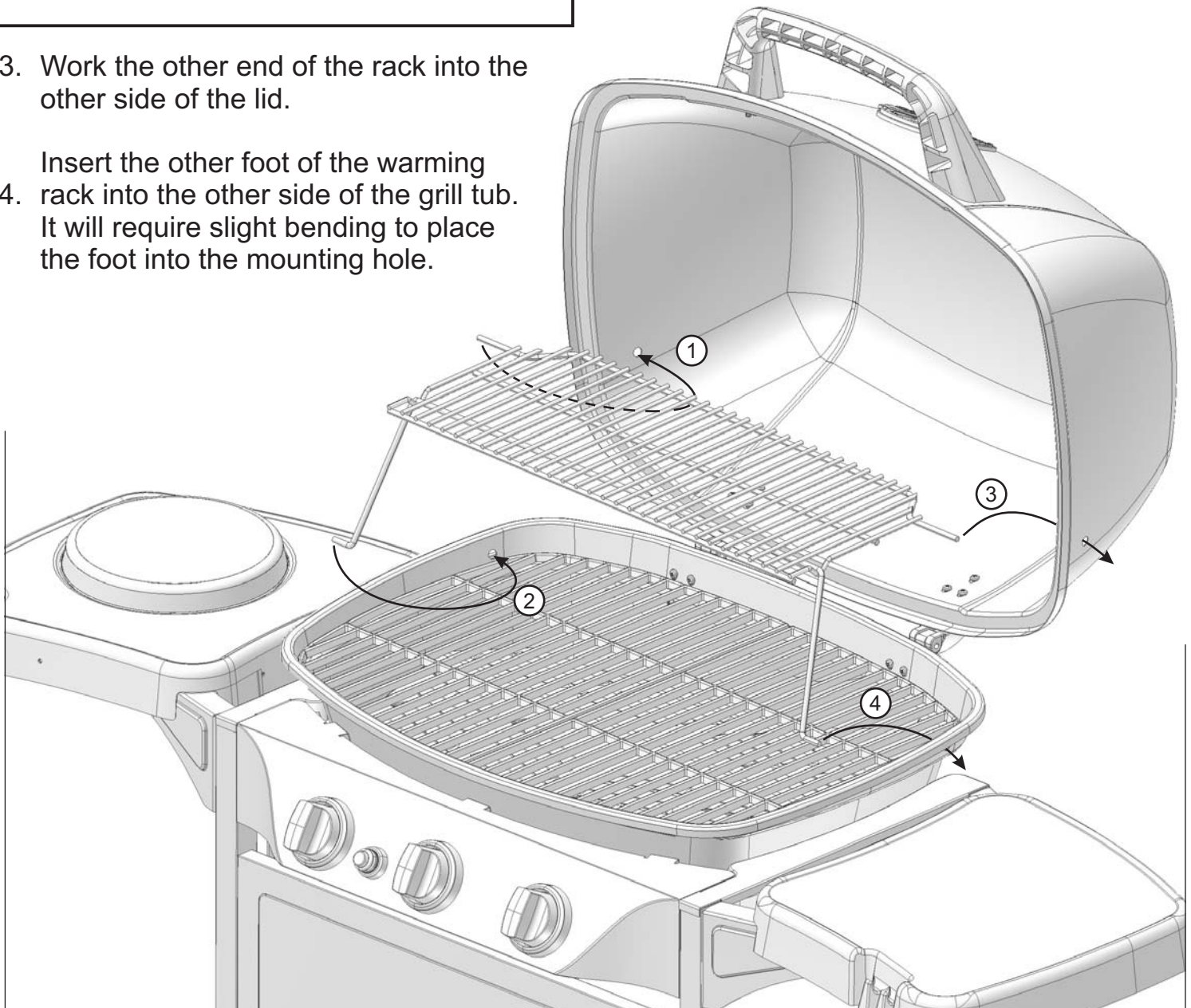
No tools are required for this step.

1. Position the warming rack as shown and insert one end of the rack into the lid as shown.
2. Working on the same side of the grill, insert one foot of the warming rack into the mounting hole near the top of the grill tub.

3. Work the other end of the rack into the other side of the lid.

Insert the other foot of the warming

4. rack into the other side of the grill tub. It will require slight bending to place the foot into the mounting hole.

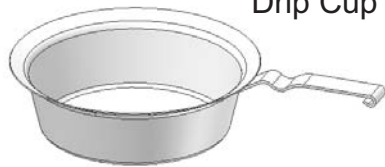


Assembly Step 10 - Install the Drip Cup

LOCATE THESE PARTS:



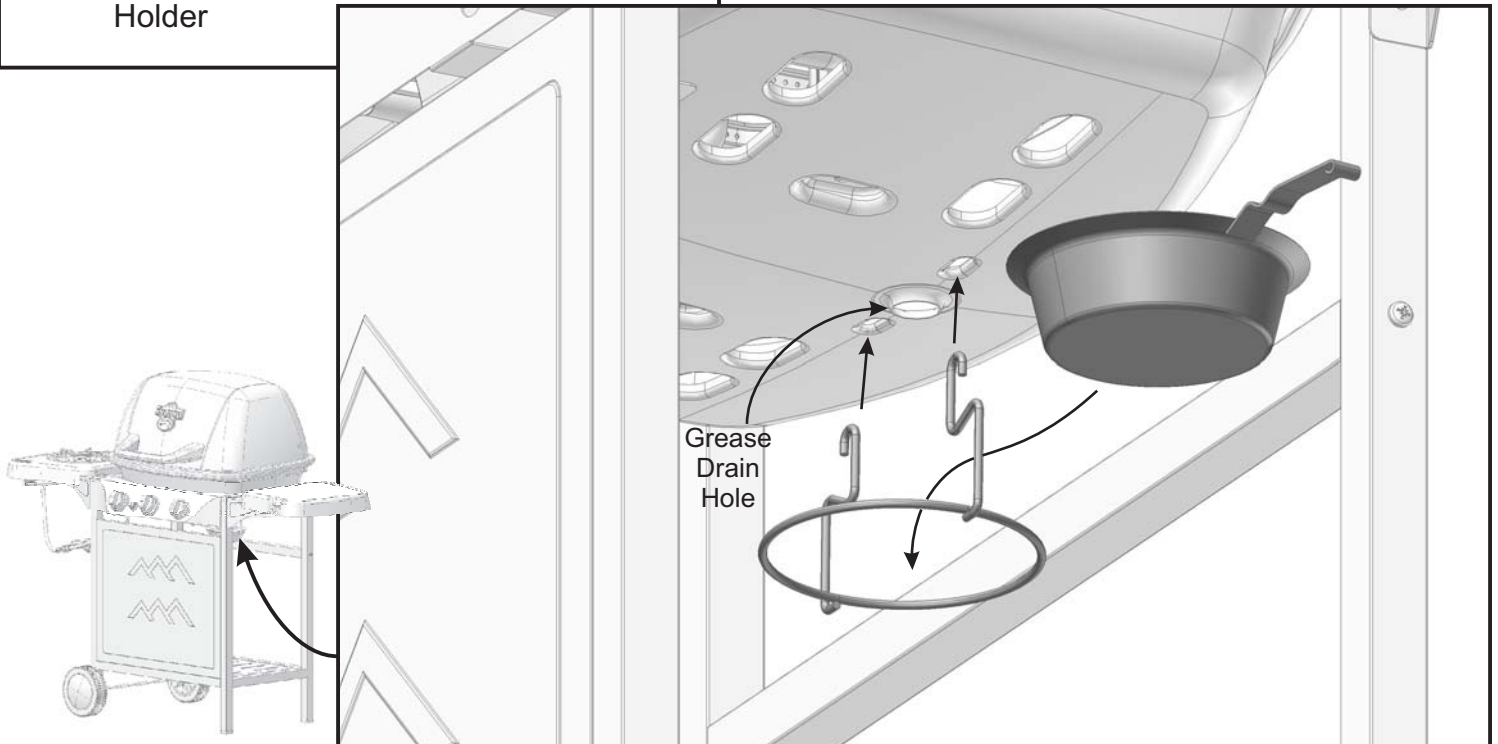
Drip Cup Holder



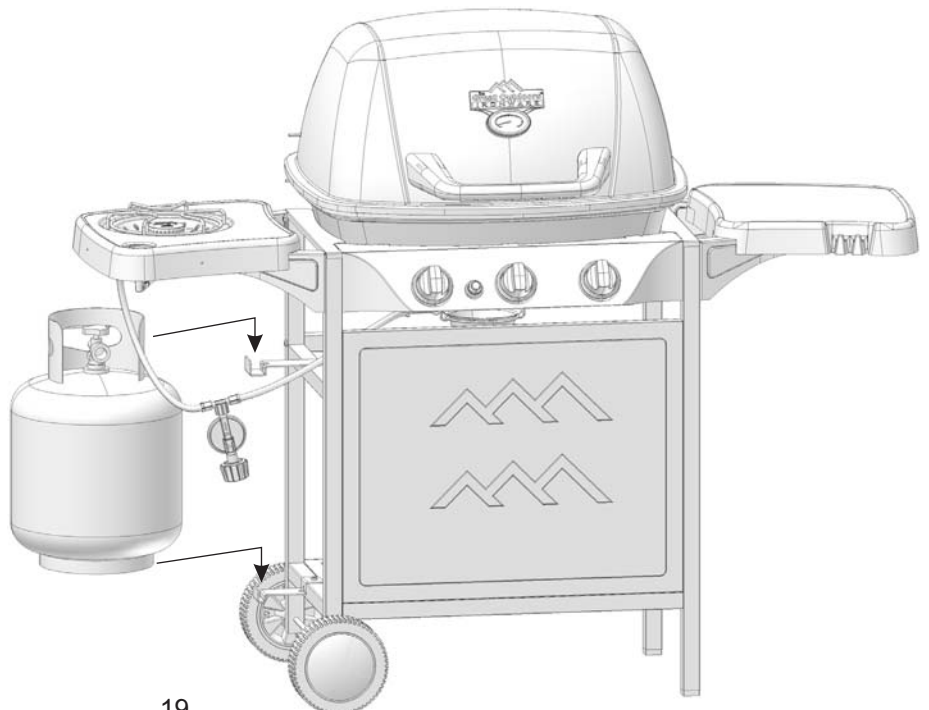
Drip Cup

No tools are required for these steps.

1. Underneath the grill tub, insert the drip cup holder into the mounting holes on either side of the grease drain hole.
2. Set the drip cup into the drip cup holder.



The L.P. Gas cylinder attaches to the brackets under the left sideburner table. The brackets hook to the base and the collar of the cylinder.



Connecting the L.P. Gas Cylinder



1. The top knob on the supply cylinder must be closed. See that the top cylinder knob is turned clockwise to a full stop.

2. Check that all the grill burner knobs are turned off.

3. Remove the protective caps from the cylinder valve and coupling nut, if present.

4. Hold the regulator in one hand and insert the nipple into the valve outlet. Be sure the nipple is centered in the valve outlet. The coupling nut connects to the large outside threads on the valve outlet. Use care not to cross thread the connection.

5. Hand tighten the coupling nut clockwise until it comes to a full stop. Tighten by hand only. Do not use tools.

6. **CAUTION:** In the connection process, the grill side of the connection will seal on the back check in the valve, resulting in a slight resistance. The connection requires

about one-half to three-quarters additional turn to complete the connection.

NOTE: If you cannot complete the final connection, disconnect the regulator and repeat steps 4 through 6. If you are still unable to complete the connection, do not use this valve and regulator.

7. Make sure the hose has no kinks or sharp bends and clears any areas that will become hot during use. Never put strain on the hose where it joins a fitting. The rubber fuel supply hose must not touch the bottom grill casting during use.

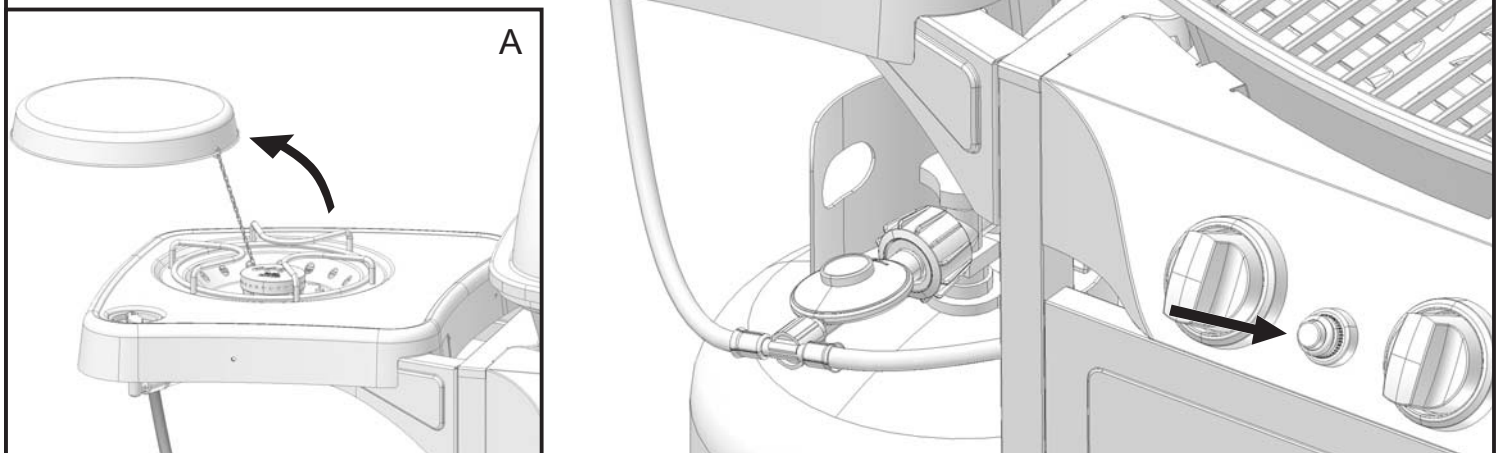
8. Before lighting grill, check all connections for leaks using a mild soapy-water solution.

9. Make sure the Drip Cup is in place underneath the grill tub. During use the cup will catch hot grease drippings that could damage the fuel supply system.

Side Burner Operation

Operating the Side Burner

Use the *SIDE BURNER* gas control knob, *PUSH IN* and rotate counter-clockwise to the *HIGH* position. *PRESS THE IGNITER BUTTON UNTIL IT CLICKS* rapidly to light the burner.



OPERATING THE SIDE BURNER

Before operating the side burner, you must first remove the burner cover.

A. Remove the burner cover and let it hang freely by the chain over the side of the side table

After using the side burner, wait until the unit is completely cool, then replace the burner cover.

IGNITING THE SIDE BURNER

(Read all the steps before beginning.)

STEP 1. Check the burner venturi tubes for blockage from an insect nest (see, "CLEANING THE BURNER VENTURI TUBES").

STEP 2. Ensure that the burner-control knob is in the OFF position.

CAUTION: Do not stand with head or arms over the grill.

STEP 3. To light using the igniter: Push in and turn the side burner-control knob counter-clockwise to the high (light) setting.

STEP 4. Immediately press the igniter button. You will hear rapid clicks. Repeat if necessary.

The burner should light within 3-5 seconds.

STEP 5. If the burner fails to light properly, turn the burner control knob off. Also turn off the L.P. cylinder valve. Wait five minutes before attempting to light the burner again. This will allow time for released gas to disperse.

HINT: If the burner does not light after trying again, turn off burner-control knob, the L.P. cylinder valve and try match lighting the grill once the gas has cleared.

Model DG450 Replacement Parts

Replacement parts are available direct from our warehouse. Some components are not available preassembled and may be ordered separately. For convenience, the following parts list is provided along with a representation of the items listed. Charges for replacement parts and shipping may apply. For warranty replacements, proof of ownership and

date of purchase is required. Please call to receive a return authorization number before returning any grill components. To order parts call toll free:

1-800-944-8982

Parts and Assemblies *(See page 10)*

<i>description</i>	<i>part no.</i>
Master Hardware Pack	50002704
Grill Lid Assembly	<i>See Right</i>
Lid Handle	50002709
Handle Heat Shield	50002717
Warming Rack	50002732
Left Cooking Grid	50002706
Right Cooking Grid	50002707
Heat Plate	50002708
Grill Tub Assembly	<i>See Right</i>
Drip Cup	50002710
Drip Cup Holder	50002711
Sideburner Table Assembly	<i>See Right</i>
Sideburner Knob	50002714
Sideburner Grate	50002716
Right Side Table Assembly	<i>See Right</i>
Control Knob	50002719
Left Frame	50002720
Right Frame	50002721
Front Panel	50002722
Bottom Panel	50002723
Rear Cross Bar	50002724
Wheel	50002725
Axle	50002726
Wheel Cover	50002727
Foot Plug	50002728
Upper Tank Bracket	50002729
Lower Tank Bracket	50002730
Assembly & Owner's Manual	50002731

Sub-Assemblies

<i>description</i>	<i>part no.</i>
Grill Lid Assembly	50002705
Grill Lid	50002737
Heat Indicator	50002734
Nameplate	50002749
Left Hinge Assembly (upper)	50002755
Right Hinge Assembly (upper)	50002733
Grill Tub Assembly	50002712
Grill Tub	50002735
Left Hinge Assembly (lower)	50002736
Right Hinge Assembly (lower)	50002738
Triple Burner	50002739
Valve Assembly	50002740
Hose/Regulator Assembly	50002741
Control Knob Bezel	50002742
Igniter Module w/ Wires	50002743
Igniter Battery	50002744
Heat Shield	50002745
Control Panel	50002746
Sideburner Table Assembly	50002715
Table Mounting Bracket (L) for Left Side Table Ass'y	50002748
Table Mounting Bracket (R) for Left Side Table Ass'y	50002750
Sideburner Table	50002751
Cast Brass Side Burner	50002752
Igniter Electrode	50002753
Burner Cover	50002855
Chain	50002856
Right Side Table Assembly	50002718
Table Mounting Bracket (L) for Right Side Table Ass'y	50002756
Table Mounting Bracket (R) for Right Side Table Ass'y	50002757
Side Table	50002758

