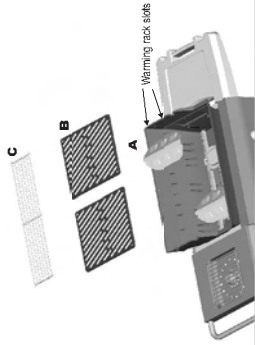


13 Items to Assemble:
3 Vaporizer Tents
2 Grates
1 Warming Rack

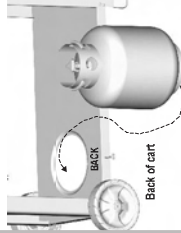


- A Note correct position of vaporizer tents directly over burners.
- B Place grates as shown.
- C Place warming rack in slots on bottom casting.

14 Items to Assemble:
1 Purchased LP Tank

LP tank is sold separately. Use only with an over-fill protection device (OFD) equipped LP tank. Fill and leak check before attaching to grill and regulator.

Please LP tank into hole in bottom shelf. Tighten thumb screw to hold LP tank securely in place.



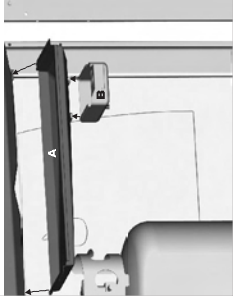
See the Use & Care manual to correctly install the LP tank. Leak Test and do the Burner Flame Check.

CAUTION

- Tank collar opening must face to front of cart once tank is attached.
- Failure to install tank correctly may allow gas hose to be damaged in operation, resulting in the risk of fire.

15 Items to Assemble:
1 Grease Tray Assembly

A Slide grease tray into brackets on bottom casting.
B Slide grease pan into brackets on grease tray.



CAUTION

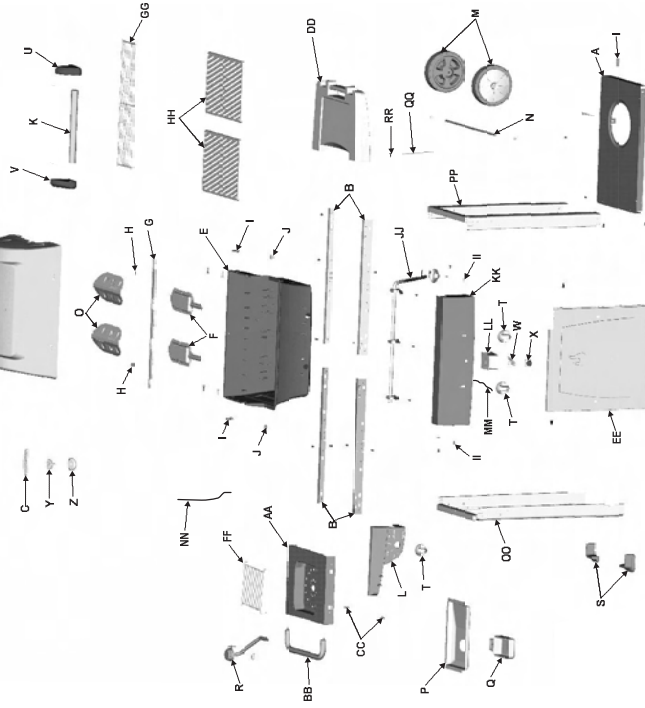
Failure to install the grease tray will cause hot grease to drip from bottom of grill with risk of fire or property damage.

You may have hardware left over after completing assembly of your grill. This hardware is not included in the parts list. We have included extra hardware to ensure you have enough.

Parts List - Model 461350805

Qty.	Description	Part #
A	Bottom Shelf	7000478
B	4 Rails	7000480
C	1 Logo Plate	415744
D	1 Top Casting	7000483
E	1 Bottom Casting	7000489
F	2 Burners	7000083
G	1 Carry-Over Tube	7000277
H	2 Pa Nuts	7000132
I	2 "U" Nuts	7000185
J	2 Casting Bumpers	7000184
K	1 Handle	7000189
L	1 Fascia, Left	7000266
M	1 Wireels	7000262
N	1 Axle Rod	7000265
O	2 Vaporizer Tents	7000082
P	1 Grease Tray Assy.	7000042
Q	1 Grease Pan	7000046
R	1 Stieburner Burner	7000036
S	2 Leg Extenders	7000230
T	3 Control Knobs	7000237
U	1 Handle Cap, Right	7000192
V	1 Handle Cap, Left	7000193
W	1 Electrode	7000378
X	1 Ignition Button w/Battery	7000162
Y	1 Temperature Gauge w/Wing Nut	4157171
Z	1 Temperature Gauge Bezel	4157169
AA	1 Stieburner Body	7000488
BB	1 Stieburner Handle	7000059
CC	2 Washer Head Hex Nuts	7000271
DD	1 Shelf	7000349
EE	1 Front Panel	7000489
FF	1 Stieburner Grate	4155276
GG	1 Warming Rack	7000180
HH	2 Grates	7000028
II	2 "10x3/8" Self Tap Screws	7000448
JJ	1 Valve Hose/Regulator Assy.	7000376
KK	1 Control Panel	7000491
LL	1 Ignition Module	7000160
MM	1 11" Ignitor Wire	7000693
NN	1 24" Ignitor Wire	7000894
OO	1 Leg Assembly, Long	7000483
PP	1 Leg Assembly, Short	7000499
QQ	1 Match Holder w/Chain	4080112
RR	1 Push Pin	7000740
..	1 Hardware Bag	7000740

Parts List - Model 461350805



THERMOS PERFORMANCE SERIES

ASSEMBLY MANUAL
461350805
THIS GRILL IS FOR OUTDOOR USE ONLY

CAUTION: Read and follow all safety statements, assembly instructions and use and care instructions before attempting to assemble and cook.

INSTALLER/ASSEMBLER: Leave these instructions with consumer.

CONSUMER: Keep this manual for future reference.

WARNING: Failure to follow all manufacturer's instructions could result in serious personal injury and/or property damage.

CAUTION: Some parts may contain sharp edges - especially as noted in the manual! Wear protective gloves if necessary.

If you have any questions or need assistance during assembly, please call 1-800-247-7548.

Visit us on the web at www.thermos.com

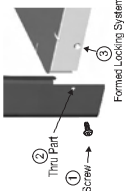


PRECISION GRILLING TECHNOLOGY

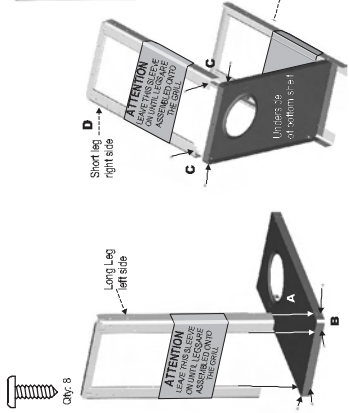
Necessary tools for assembly of your grill is a Phillips head screwdriver. CAUTION: When using a power screwdriver set to low torque, size and type of hardware used in assembly of your grill may vary, but will not affect grill integrity.

NEW! Torque Locking Method

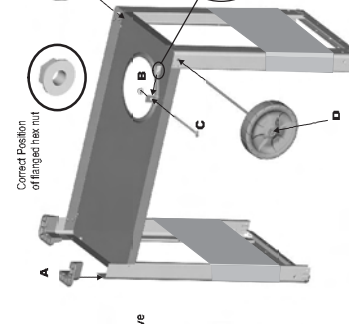
- 1. Screw
- 2. Thru Part
- 3. Formed Locking System



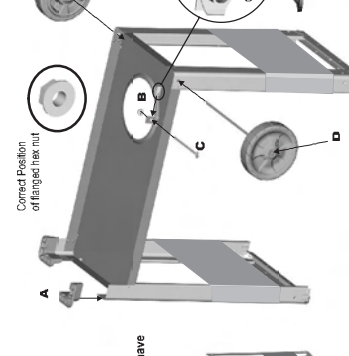
- 1** Items to Assemble
 1 Long Leg Assembly
 1 Short Leg Assembly
 8 Screws
- A Place bottom seal on table or grill container.
 - B Insert tabs on long leg assembly into bottom shelf.
 - C Attach leg assembly with one screw
 - D Repeat step B and C for short leg assembly.



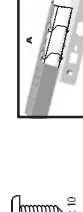
- 2** Items to Assemble
 2 Washers
 1 Axle Rod
 2 Washer Head Screw
 1 Tank Thumbscrew
 1 Fan Thumbscrew
 2 Leg Extenders
- CAUTION: Ends of screws have sharp points



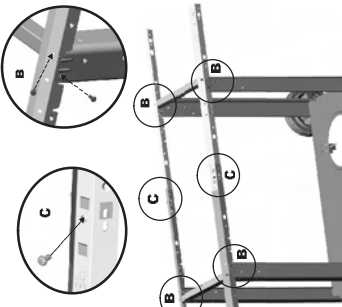
- A Attach the extenders. Check to make sure leg extender is seated at the bottom of the grill.
 B Attach unit to tab. See engagement of Unit for correct position.
 C Thread tank thumbscrew into hole and Unit. Screw flanged hex nut onto end of tank thumbscrew.
 D Attach washer head screw to axle rod. Slide wheel on axle rod. Insert axle rod into upper leg & bottom seat. Attach other wheel and axle rod to screw. Note: Hand hold axle rod to tighten washer head screw.



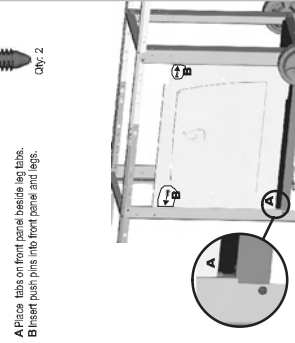
- 3** Items to Assemble
 1 Control Panel
 10 Screws (Identical)



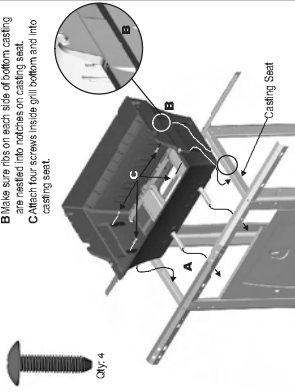
- A Overlap rails and hook tabs into slots. Pull rails to latch each corner.
- C Attach one screw in center of each rail.



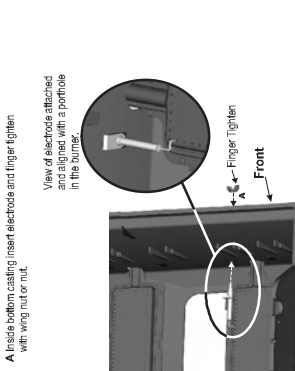
- 4** Items to Assemble
 1 Front Panel
 2 Push Pins



- 5** Items to Assemble
 1 Bottom Assembly
 4 Screws

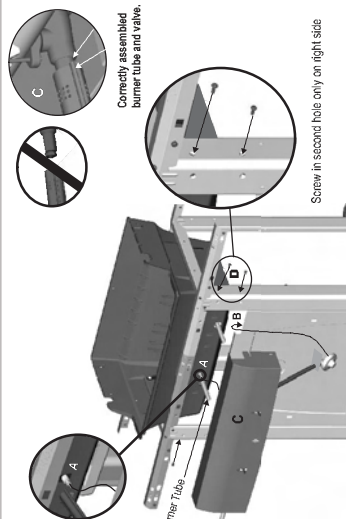


- 6** Items to Assemble
 1 Electrode Wiring Nut or Nut

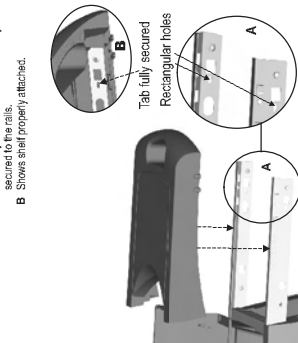


- 7** Items to Assemble
 1 Control Panel
 3 Screws

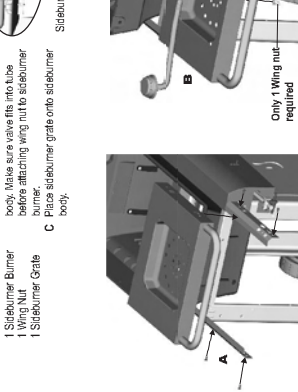
- A Loosen long wire and place behind front panel. Do not connect at this time.
- B Hold control panel close to bottom casting. Attach control panel to bottom casting.
- C Insert regulator into opening in front panel. Insert valves into burner tubes (see burner-valve view). Rotate control panel up and rest flange over rail.
- D Attach control panel to legs with a screw in second hole.



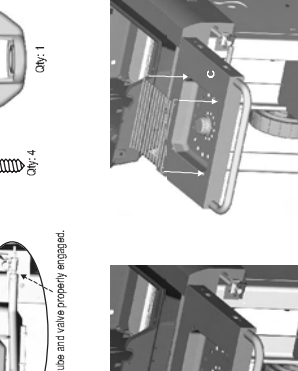
- 8** Items to Assemble
 1 Shelf
 2 Push Pins



- 9** Items to Assemble
 1 Sideburner Assembly
 4 Screws
 1 Sideburner Burner
 1 Wing Nut
 1 Sideburner Grate

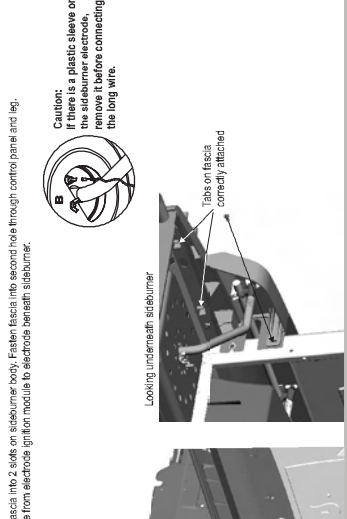


- 10** Items to Assemble
 1 Fascia
 1 Screw

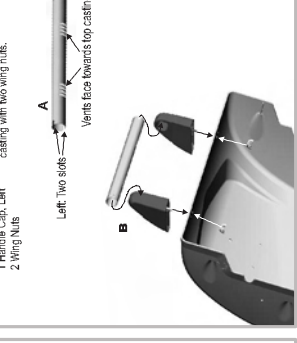


- 11** Items to Assemble
 1 Handle Cap, Right
 1 Handle Cap, Left
 2 Wing Nuts

- A Vents in handle face towards top casting.
- B Place right handle cap with one slot on right side of handle and left handle cap with two slots on left side. Fasten to top casting with two wing nuts.



- 12** Items to Assemble
 1 Top Casting
 2 Shoulder Bolts
 1 Control Knob
 1 AAA Battery



- 13** Items to Assemble
 1 Top Casting
 1 Sideburner Burner
 1 Sideburner Grate
 1 AAA Battery

