

# USER'S/ASSEMBLY MANUAL

## for Model JA480

### Gas Barbecue Grill



Use this manual in addition to manuals for Models J460/JA580. Some parts may look different; however, assembly is the same. For Step 9, follow instructions packed with the Side Burner kit.



### Lighting the Rotisserie Burner (Model JA480)

The Rotisserie burner provides the steady, even heat required to cook poultry and roasts to self-basted perfection.

**To start the Rotisserie burner:**

1. Always open the Hood completely before attempting to light the Grill.  
**WARNING:** Never stand with your head directly over the Grill when preparing to light the Rotisserie burner, to prevent possible bodily injury.
2. Always confirm that all of the burner control knobs are in the OFF position before opening the gas supply.
3. Turn on the propane gas supply valve at the tank (1 to 2 turns), or turn on the main natural gas supply valve.
4. Turn the Rotisserie Burner Control Knob to the HI position, by pushing down on the knob and turning it counterclockwise.
5. Immediately push the Igniter Button. The Rotisserie burner should light within four seconds.

**WARNING:** IF THE ROTISSERIE BURNER DOES NOT LIGHT, to prevent gas buildup, immediately turn the burner control knob to the OFF position. Wait five (5) minutes for the gas to clear, then repeat steps 1 through 5 above. If the burner will not light when using the Igniter, follow the match lighting instructions below.

6. Confirm that the burner is properly lit and that the flame pattern is proper. For proper flame patterns, refer to Fig. 9a, Fig. 9b and Fig. 9c in the JA460/JA580 User Manual. If the flame pattern is other than normal, consult the Troubleshooting Guide for corrective action.
7. Always preheat the Grill before starting to cook on the rotisserie.

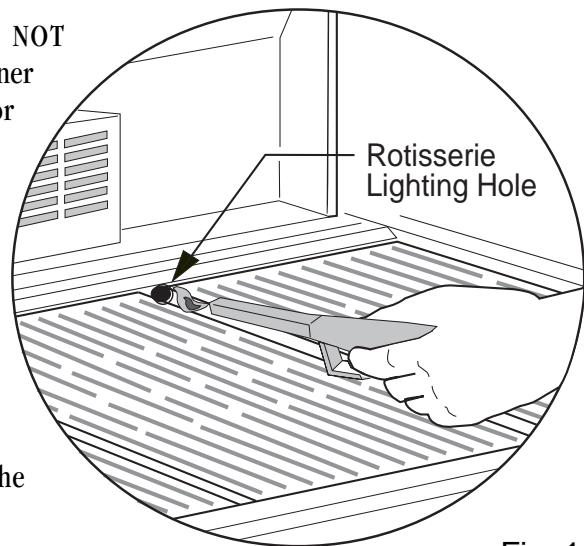


Fig. 1

**To match light the Rotisserie Burner:**

1. Always open the Hood completely, before attempting to light the Grill.

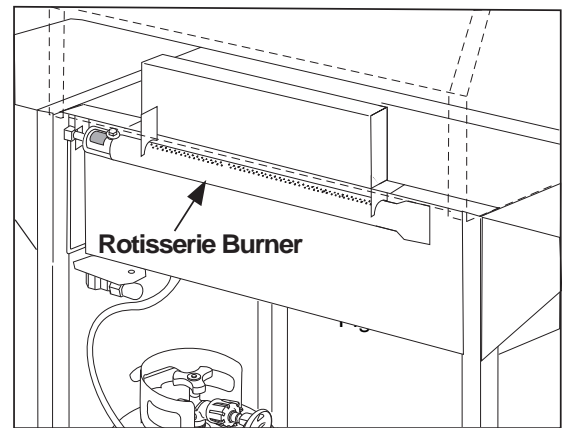
**WARNING:** Never stand with your head directly over the Grill when preparing to light the Rotisserie Burner, to prevent possible bodily injury.

2. Always confirm that all of the burner control knobs are in the OFF position before opening the gas supply.
3. Turn on the propane gas supply valve at the tank (1 to 2 turns), or turn on the main natural gas supply valve.
4. Insert a lit match or a butane lighter into the match lighting hole located below the rotisserie screen (see Fig. 1).
5. Turn the Rotisserie Control Knob to the HI position by pushing down on the knob and turning it counterclockwise.

**Rotisserie Burner**

**Inspect the Rotisserie burner as follows. Do this monthly, if the burner is used frequently.**

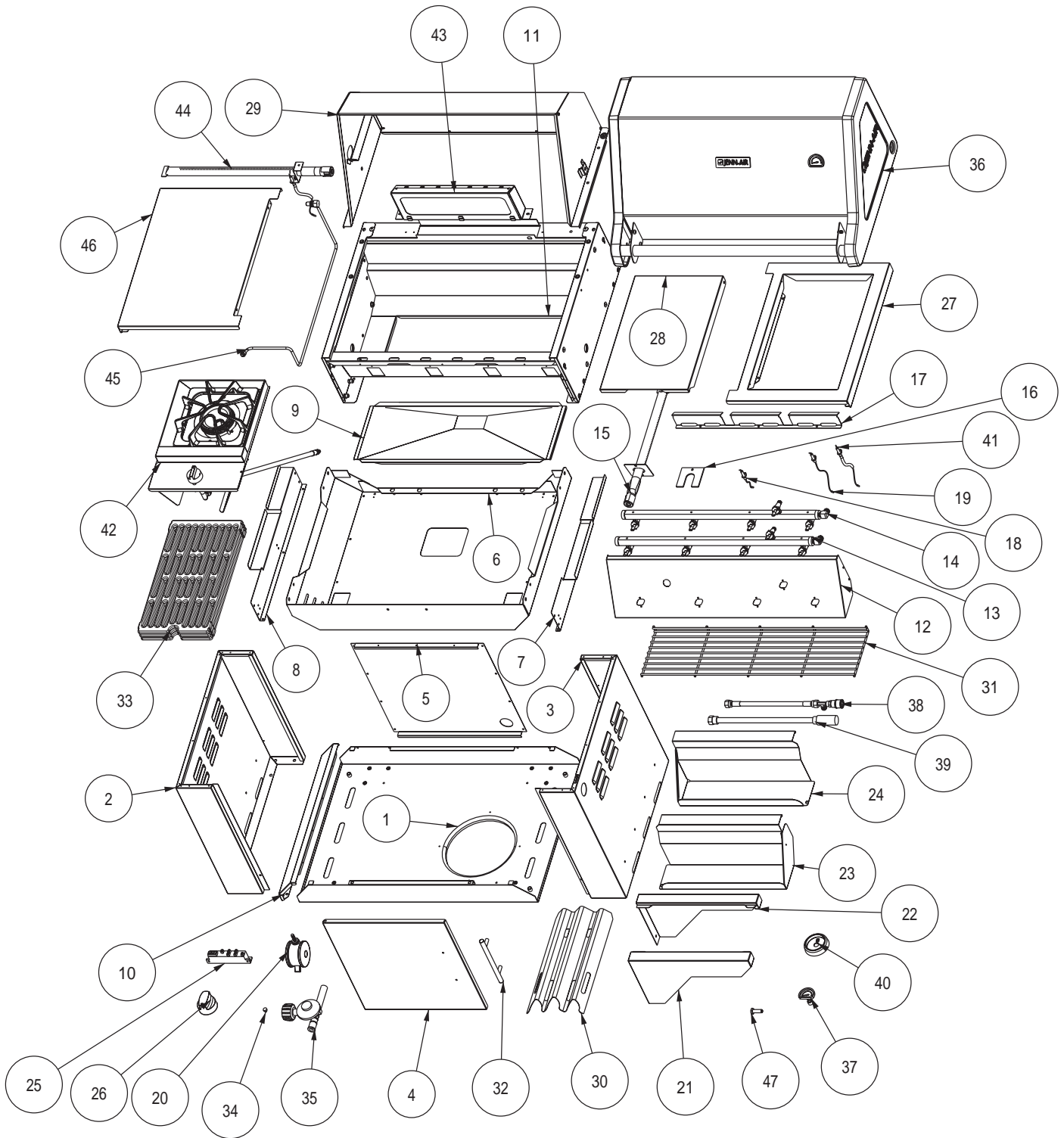
1. Remove the rear panel (four screws) to access the burner.
2. Confirm that the burner ports and air shutter screen are clear of food residue, cobwebs or other insect debris (see Fig. 2).



**Fig. 2** Rotisserie Burner

**NOTE:** The Conversion Kits referred to in the User's Guide, page 2, are NOT available.

Model JA480 Gas Barbecue Grill; Modele Rotisserie de Barbacoa JA480 De gas



## Model JA480 Parts List

ITEM	QTY.	PART#	DESCRIPTION
1	1	50001074	Cabinet Bottom Assy. HL-460
2	1	50001394	Cabinet Left Main HL-S/S
3	1	50001395	Cabinet Right Main HL-S/S
4	1	50000976	Door HL-4
5	1	50001410	Panel Back JA480-S/S
6	1	50000975	Cabinet Top HL-4
7	1	50000797	Support Drawer Right
8	1	50000798	Support Drawer Left
9	1	50000822	Grease Pan Assy-H4
10	2	50000983	Cabinet End-Wrap-HL
11	1	50001356	Base Assy-H4-Rotiss
12	1	50001396	Console JA480-S/S
13	1	50001402	Valve Assy LP H4 + Rotiss
14	1	50001423	Valve Assy NAT H4 + Rotiss
15	4	50000835	Burner Main Assy HBQ
16	4	50000892	Gasket Burner HBQ
17	1	50000879	Flash Tube - H4
18	2	50000431	Electrode-Main-Short
19	2	50000523	Electrode-Main-Long
20	4	50000809	Caster
21	2	50000820	Support Shelf L Black-H
22	2	50000821	Support Shelf R Black-H
23	1	50000984	Shelf Front R-HL
24	1	50000986	Shelf Front L-HL
25	1	50000808	Ignitor (6 Wire)
26	4	50001328	Knob - H Style
27	1	50001412	Shelf Top H-S/S
28	1	50000826	Shelf Insert S/S - H
29	1	50000860	Lid Assy Rear-H4
30	4	50000777	Plate Heat H S/S
31	1	50000802	Warming Rack Enamel-H4
32	1	50000313	Handle Door-Deluxe
33	1	50001226	Cook Grate (50001027) Set of 3
34	4	50000177	Lid Bumpers
35	1	50000804	Regulator - H
36	1	50001399	Lid Assy Front JA480-S/S
37	1	50000967	Gauge Temp
38	1	50000915	Connector Hose - 3/8 Q.D. Assy
39	1	50000198	12' Nat Gas Hose
40	4	50001327	Bezel
41	1	50000466	Electrode-Rotiss
42	1	50001417	Side Burner Assy. Elec.-H4/6 LP
43	1	50001416	Rotiss Housing/Screen Assy
44	1	50000558	Burner \ Electrode Assy-Rotiss
45	1	50001428	Tube/Orifice Assy H4-Nat
46	1	50001413	Shelf Top Solid
47	1	50000355	Pin Pivot Set

## Modelo Lista de Partes de JA480

CANTIDAD			
ARTÍCULO	PARTE#	DESCRIPCIÓN	
1	1	50001074	Gabinete de la Inferior Assy. HL-460
2	1	50001394	Gabinete Dejó(Abandonó) HL-S/S
3	1	50001395	Derecho de Gabinete HL-S/S Principal
4	1	50000976	Puerta HL-4
5	1	50001410	Panel detrás JA480-S/S
6	1	50000975	Cima de Gabinete HL-4
7	1	50000797	Derecho de Cajón de Apoyo
8	1	50000798	Cajón de Apoyo Dejado(Abandonado)
9	1	50000822	Cazuela de Grasa Assy-H4
10	2	50000983	Gabinete End-Wrap-HL
11	1	50001356	Base Assy-H4-Rotiss
12	1	50001396	Consola JA480-S/S
13	1	50001402	Válvula Assy LP H4 + Rotiss
14	1	50001423	Válvula Assy NAT H4 + Rotiss
15	4	50000835	Hornilla Assy Principal HBQ
16	4	50000892	Hornilla de Junta HBQ
17	1	50000879	Tubo de Destello - H4
18	2	50000431	Electrodo principal corto
19	2	50000523	Electrodo principal largo
20	4	50000809	Echador
21	2	50000820	L de Anaquel de Apoyo H negra
22	2	50000821	R de Anaquel de Apoyo H negra
23	1	50000984	R-HL de Frente de Anaquel
24	1	50000986	L-HL de Frente de Anaquel
25	1	50000808	Dispositivo de encendido (6 Cable)
26	4	50001328	Perilla - el Estilo de H
27	1	50001412	Cima de Anaquel H-S/S
28	1	50000826	S/S de Encarte de Anaquel - la H
29	1	50000860	Tapa Assy Cría-H4
30	4	50000777	S/S de H de Calor de Plato(Placa)
31	1	50000802	Esmalte-H4 de Estante Calentador
32	1	50000313	Maneja De lujo de puerta
33	1	50001226	Rejilla de Cocinero (50001027) el Juego de 3
34	4	50000177	Parachoques de Tapa
35	1	50000804	Regulador - la H
36	1	50001399	Tapa Assy Dirige (Presenta) JA480-S/S
37	1	50000967	Trabajador interino de Medida
38	1	50000915	Manguera de Conector - 3/8 Q.D. Assy
39	1	50000198	12' Nat Gas Manguera
40	4	50001327	Bisel
41	1	50000466	Electrodo-Rotiss
42	1	50001417	Hornilla de Lado Assy. Elec.-H4/6 LP
43	1	50001416	Rotiss Almacenán/Protegen Assy
44	1	50000558	Hornilla \ el Electrodo Assy-Rotiss
45	1	50001428	Tubo/Orificio Assy H4-Nat
46	1	50001413	Cima de Anaquel Sólido
47	1	50000355	Pivote de Alfiler Se pone



### Lifetime Warranty

- On all exterior Stainless Steel Components, such as the cart paneling & doors, shelving, condiment bins and handles, if so equipped.
- On all castings (1 year on paint).

### 10 Year Warranty

- On all porcelain on steel surfaces such as the hood and burn chamber.

### 5 Year Warranty

- On all remaining parts.

### 1 Year (Accessories)

- Rotisserie.

- The warranty is nontransferable.
- It does not cover failures due to misuse or improper installation or maintenance.
- The warranty is for replacement or repair of defective parts only. CFM will not be responsible for incidental or consequential damages or any labor costs.
- This limited warranty does not cover damage due to chipping and scratching of porcelain or painted surfaces nor does it cover corrosion or discoloring due to misuse, lack of maintenance, hostile environments, accident, alterations, abuse or neglect.
- This limited warranty does not cover any scratches, dents, corrosion or discoloring by heat, abrasive and chemical cleaners nor chipping on porcelain enamel parts, nor any components used in the installation of the gas grill.



CFM Corporation

1 (800) 668-5323  
[www.cfmcorp.com](http://www.cfmcorp.com)