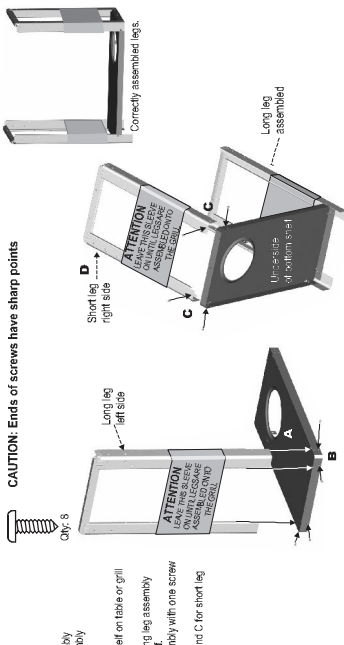


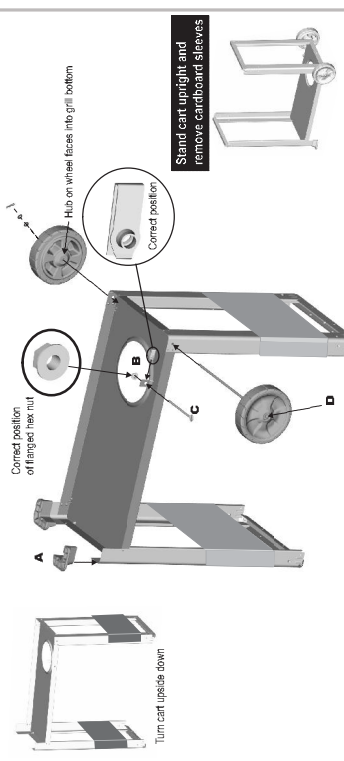
1 Items to Assemble
1 Long Leg Assembly
1 Short Leg Assembly
8 Screws



A Place bottom shelf on table or grill container.
B Insert tabs on long leg assembly into slots on grill base.
C Attach assembly with one screw on each side.
D Repeat step B and C for short leg assembly.

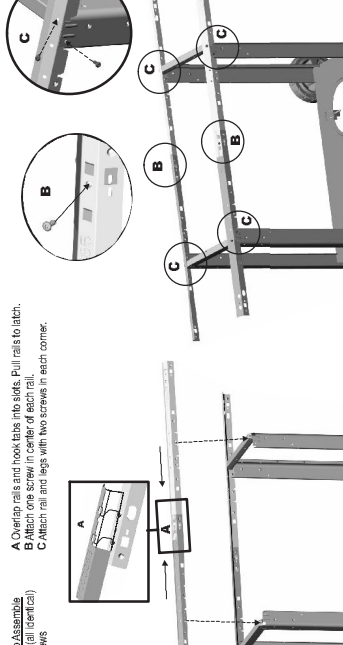
2 Items to Assemble
2 Leg Extenders
1 U-Nut
1 U-Nut
2 Washers
1 Axle Rod
2 Flash Pins
1 Hitch Pin

A Attach leg extenders. Check to make sure leg is seated all the way into the leg hole.
B Attach U-nut to tab. See engraving of U-nut for correct position.
C Thread cylinder thumbscrew into hole and U-nut. Screw flanged hex nut onto end of cylinder thumbscrew.
D Slide wheels on axle rod. Insert axle rod where into large hole in bottom seat. Attach other wheel with two washers and a hitch pin.



Turn cart upright, upside down.
Correct position of flanged hex nut.
Hub on wheel fits into grill bottom.
Correct position.
Stand cart upright and remove cardboard sleeves.

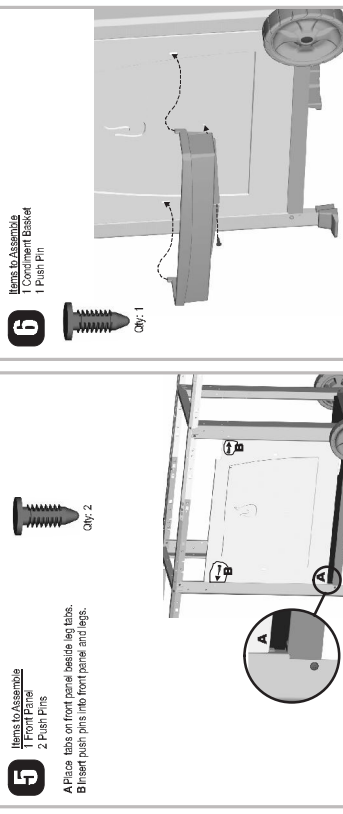
3 Items to Assemble
4 Bats (all identical)
10 Screws



A Overlay bats and hook tabs into slots. Pull rats to latch.
B Match one screw in center of each rail.
C Match rail and legs with two screws in each corner.

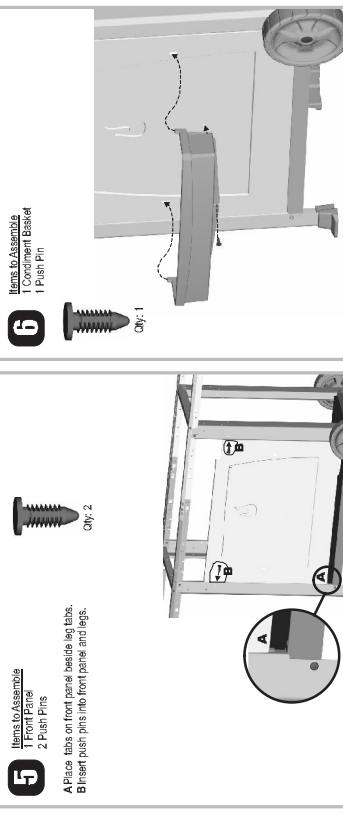
4 Items to Assemble
2 U-Nuts
Qty: 2
Not to scale

A Place U-nut as shown into indent on left and right side of grill bottom.
B Insert push pins into front panel and legs.

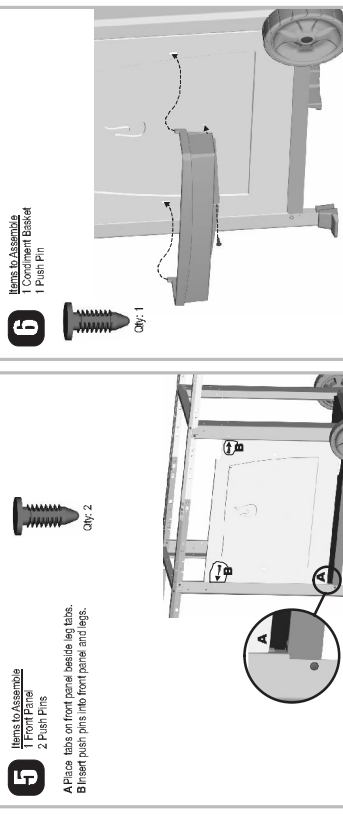


5 Items to Assemble
1 Front Panel
2 Flash Pins
Qty: 2

A Place tabs on front panel beside leg tabs.
B Insert push pins into front panel and legs.

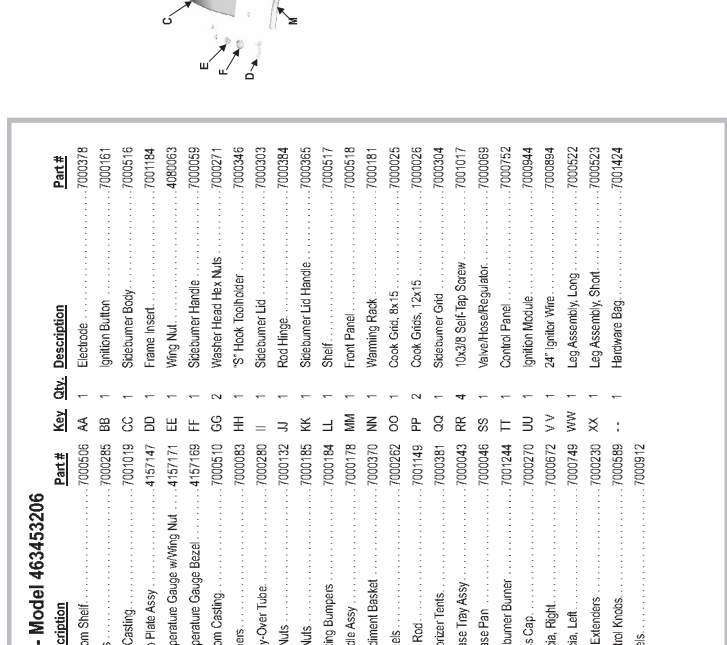


6 Items to Assemble
1 Condiment Basket
1 Push Pin
Qty: 1



Parts List - Model 463453206

Key	Qty.	Description	Part #	Key	Qty.	Description	Part #
A	1	Bottom Shelf	7000506	AA	1	Electrode	7000378
B	4	Rails	7000285	BB	1	Ignition Button	7000161
C	1	Top Casting	7001019	CC	1	Sticumer Body	7000516
D	1	Lego Plate Assy	4157147	DD	1	Frame Insert	7001184
E	1	Temperature Gauge w/Temp Nul	4157171	EE	1	Wing Nul	4080063
F	1	Temperature Gauge Bezel	4157169	FF	1	Sticumer Handle	7000059
G	1	Bottom Casting	7000510	GG	2	Washer Head Hex Nul	7000271
H	4	Burners	7000083	HH	1	"S" Hook Toolholder	7000346
I	1	Carry-Over Tube	7000280	II	1	Sticumer Lid	7000303
J	2	Pat Nuls	7000132	JJ	1	Rod Hinge	7000384
K	3	"U" Nuls	7000185	KK	1	Sticumer Lid Handle	7000385
L	2	Casting Bumpers	7000184	LL	1	Shelf	7000517
M	1	Handle Assy	7000178	MM	1	Front Panel	7000518
N	1	Condiment Basket	7000370	NN	1	Warning Rack	7000181
O	2	Wheels	7000262	OO	1	Cook Grid, 8x15	7000025
P	1	Axle Rod	7001149	PP	2	Cook Grids, 12x15	7000026
Q	4	Vaporizer Tents	7000381	QQ	1	Sticumer Grid	7000304
R	1	Grease Pan Assy	7000043	RR	4	10x3/8 Self-Tap Screw	7001017
S	1	Grease Pan	7000046	SS	1	Veveh Hose/Regulator	7000089
T	1	Sticumer Burner	7001244	TT	1	Control Panel	7000752
U	1	Brass Cap	7000270	UU	1	Ignition Module	7000944
V	1	Fascia, Right	7000672	VV	1	24" Igniter Wire	7000894
W	1	Fascia, Left	7000748	WW	1	Leg Assembly, Long	7000522
X	2	Leg Extenders	7000230	XX	1	Leg Assembly, Short	7000523
Y	5	Control Knobs	7000689	YY	1	Hardware Bag	7001424
Z	5	Bezels	7000912				



Char-Broil
KEEPERS OF THE FLAME

PERFORMANCE SERIES™

ASSEMBLY MANUAL
463453206
THIS GRILL IS FOR OUTDOOR USE ONLY

CAUTION: Read and follow all safety statements, assembly instructions and use and care directions before attempting to assemble and cook.

INSTALLER/ASSEMBLER: Leave these instructions with consumer.

WARNING: Failure to follow all manufacturer's instructions could result in serious personal injury and/or property damage.

CAUTION: Some parts may contain sharp edges - especially as noted in the manual. Wear protective gloves if necessary.

If you have any questions or need assistance during assembly, please call 1-800-241-7548.
Visit us on the Web
www.charbroil.com

PRECISION GRILLING TECHNOLOGY