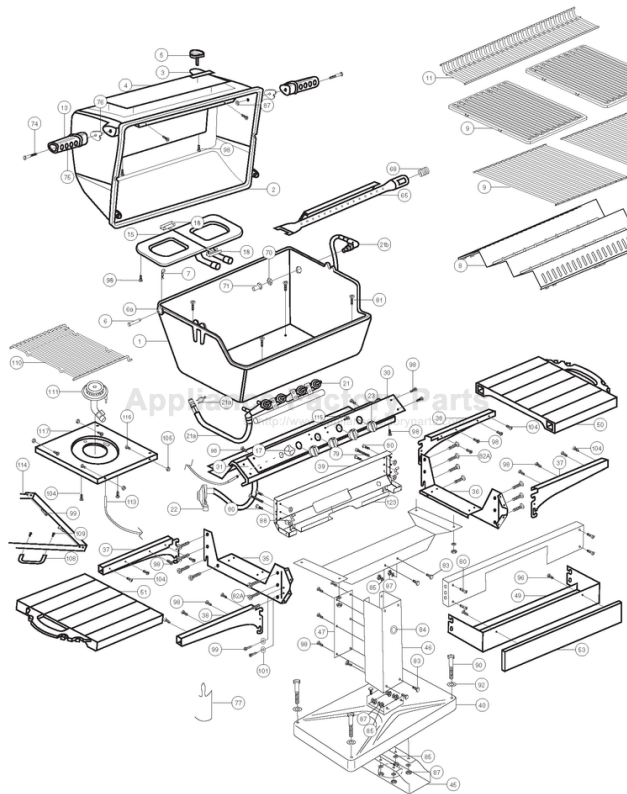


This Owner's Manual is provided and hosted by [Appliance Factory Parts](#).



Broil-Mate 742-8 Owner's Manual

[Shop genuine replacement parts for Broil-Mate 742-8](#)



[Find Your Broil-Mate Grill Parts - Select From 682 Models](#)

----- Manual continues below part list -----

Available Replacement Parts for Broil-Mate 742-8

03200	spark generator; Bmstr, DCS, Ducane
14625	warming rack universal, 15 x 6.5
10696-160	ORIFICE HOOD R/B 0.160MM NG
119-5000-0	GGK IGNITOR
10472-K36	KNOB GAS VALVE 1 3/4 #E +
18627GC	BURNER, DUAL 50,000 BTU
03230	spark generator; Ducane
10222-T42	GRATE 42/45 +
10156-K55	HEAT SHIELD 950 2600
18488	FLAV-R-WAVE - 50,000 BTU STAINLESS
S15500	IGNITOR ELECTRODE ASSY H B H BURNER
18013	LARGE PROBE HEAT INDICATOR
10184-K581	SHELF SUPPORT LFT BLK
10184-K591	SHELF SUPPORT RH BLK
S15111	GREASE CUP HOLDER ALL P8069A +
10225-T10	GRID PORCELAIN S/B
10393-K40	SIDE BURNER COVER 1.86
10110-91	TUBE R/B ASSY COMPR FITTING
S21124	SCREW PHCP #8 X 12 +
PB20-60A	S/B LID HANDLE WAGON ENCLOSER+ W/SCREWS
10390-E10	BURNER SIDE 10BTU W/ELEC #8 +
10393-R50	SIDE BURNER BODY 2002 +
10442-R54	CONTROL ASSEMBLY 75M 4V LP 2842
S14186	DECO PANEL 1730 BM 24 7/8
S14187	DECO PANEL 742 BM 24 7/8
10958-K531	POST BLACK
10239-7	HANDLE GASKET TRIANGULAR 1/8
Y-12220	S/B BUSHING SB 1.375 16 HEY
10342-T12	WIRE ELECTRODE S/B FLAT/FLAT
S14019	NAMEPLATE BROILMATE LG FLSH +

S11426	BOTTOM CASTING R/B + 2500/2700/400/700
02342	control knob; universal
10342-244	IGNITOR ELECTRONIC +
10111-K23	HOSE 23 INCH PIGTAIL FITTING POST
30260130	SHELF SIDE REV A +
10958-k561	POST BASE BRACKET BLACK
10472-k40	KNOB ROTARY IGNITOR #B
10958-K541	POST COVER BLACK
10184-K801	POST BASE SUPPORT BLACK 2.91
S12206	WARMING RACK 2500 1998 +
Y-11990	NUT HEX BRASS 3/8 27 RB LINE

broil-mate™

REDDI-BILT BARBECUES

ASSEMBLY MANUAL & PARTS LIST

MANUEL DE MONTAGE & LISTE DE PIÈCES



broil-mate™
702-8



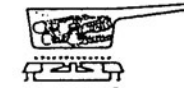
broil-mate™
712-8



broil-mate™
716-8



broil-mate™
732-8



broil-mate™
742-8



RETAIN FOR FUTURE REFERENCE

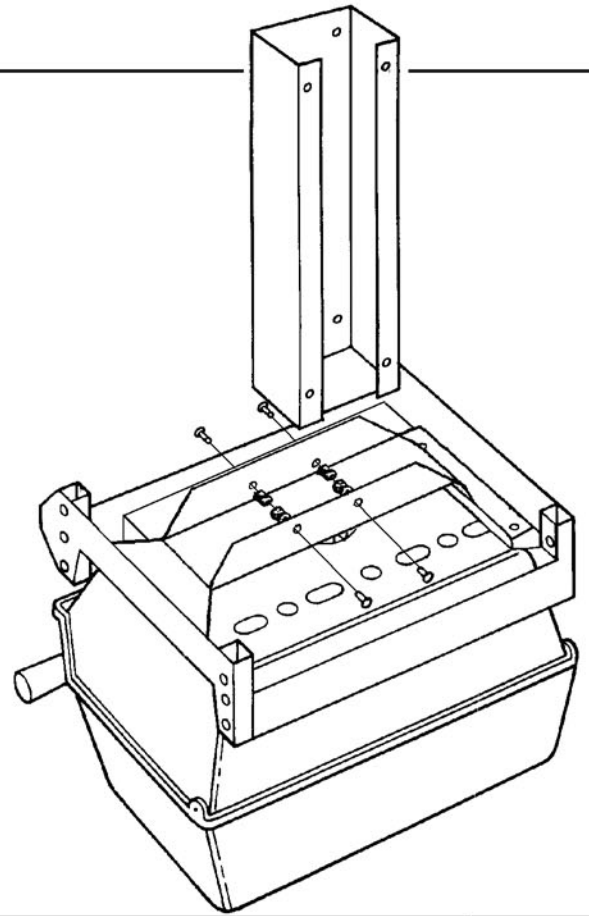
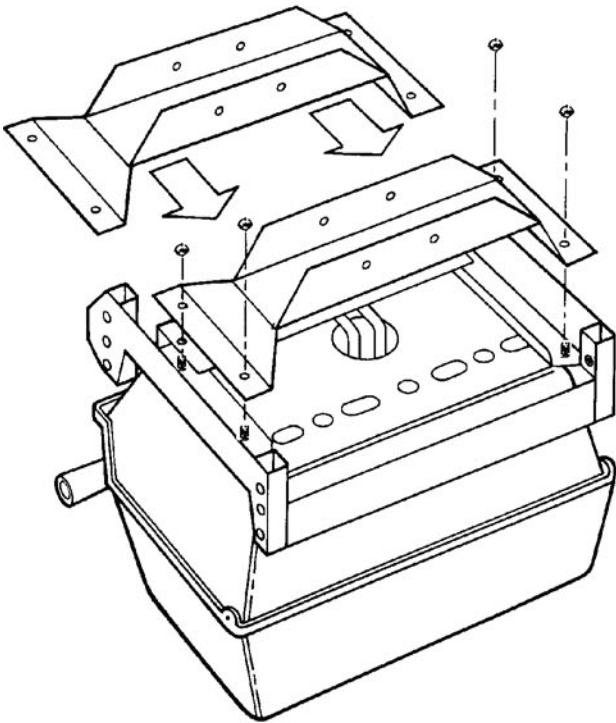
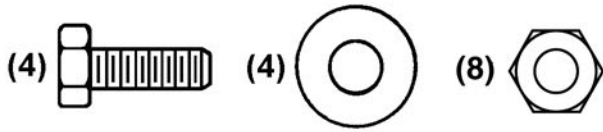
VEUILLEZ CONSERVER POUR REFERENCE ULTERIEURE

1-800-265-2150


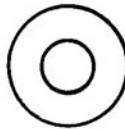

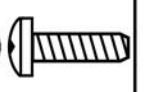
info@omcbbq.com

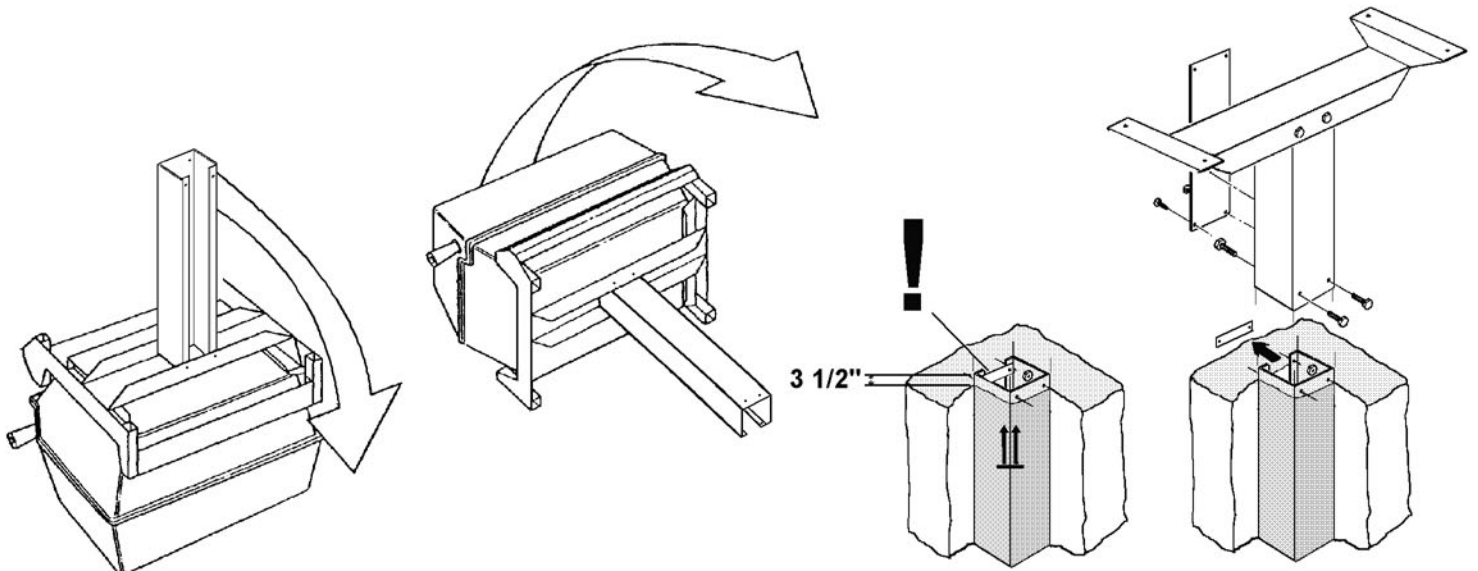
Onward
MANUFACTURING COMPANY
SINCE 1906
585 KUMPF DRIVE LIMITED
WATERLOO, ONTARIO, CANADA
N2V 1K3

1



2

11240 IN GROUND POST (OPTIONAL) (4)  (4)  (4)  (2) 



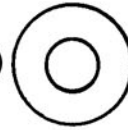
2

11300 DECK MOUNT
(OPTIONAL)

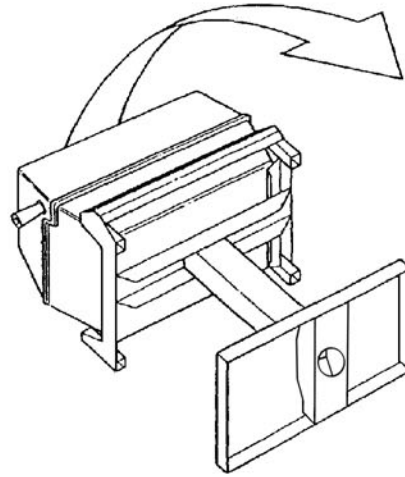
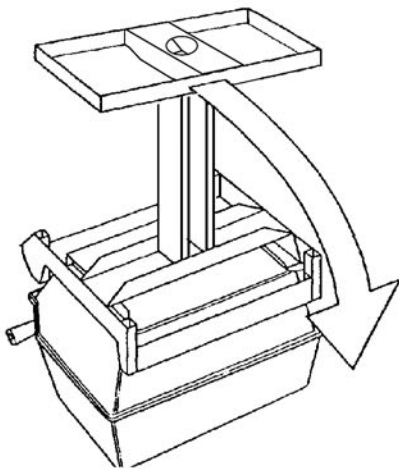
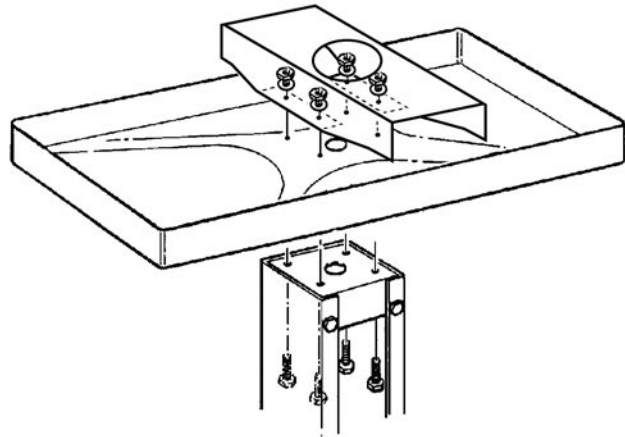
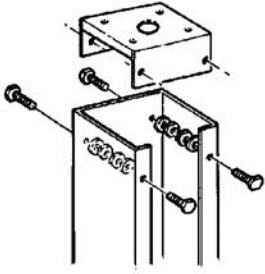
(8)



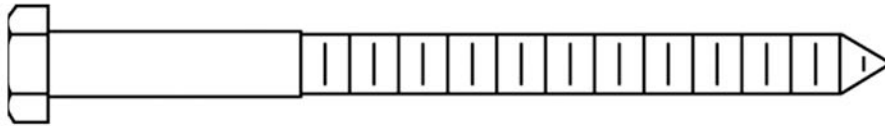
(8)



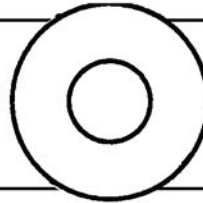
(8)



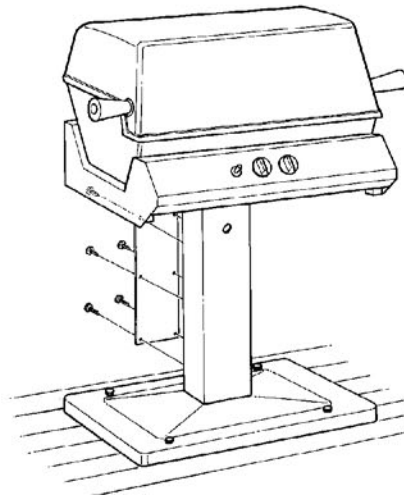
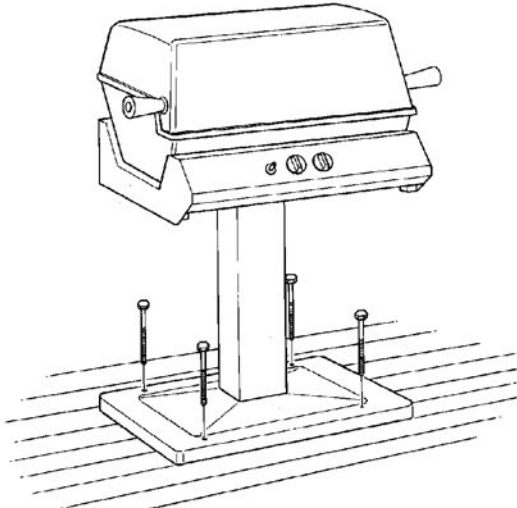
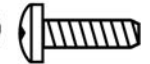
(4)



(4)



(6)

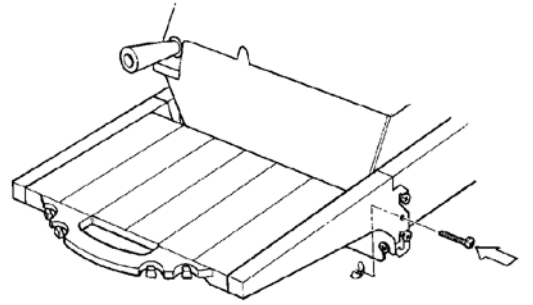
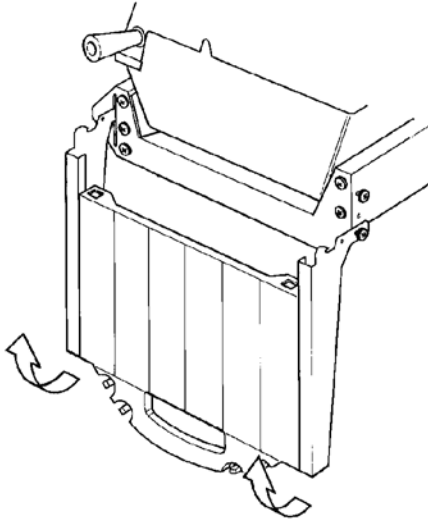
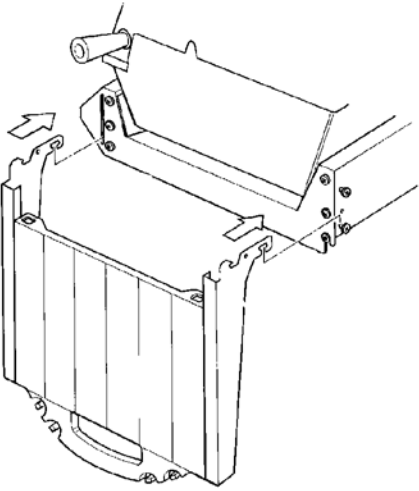
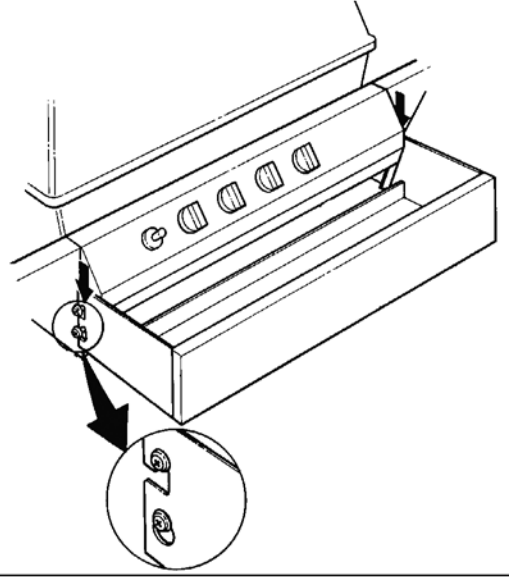
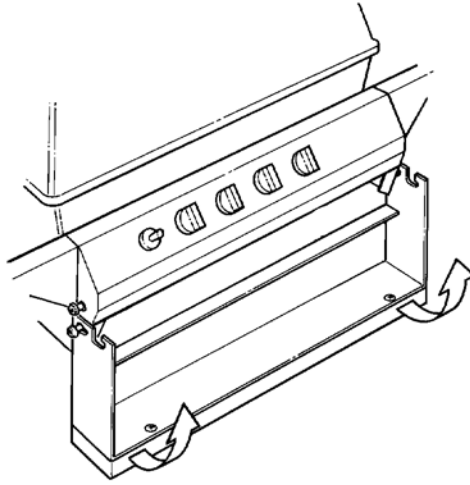
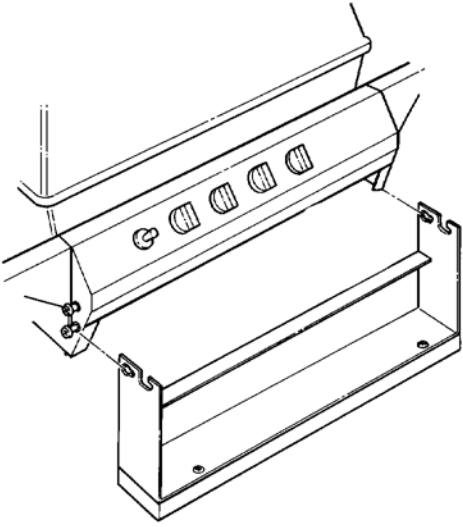


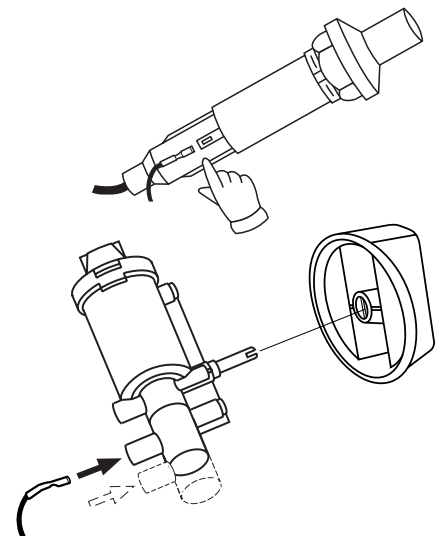
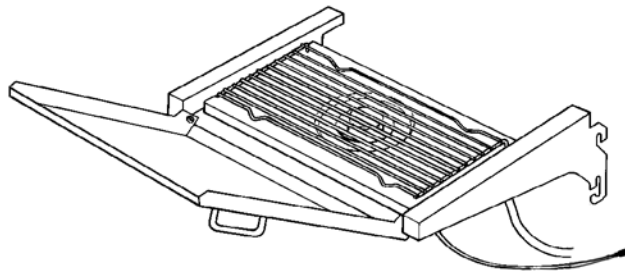
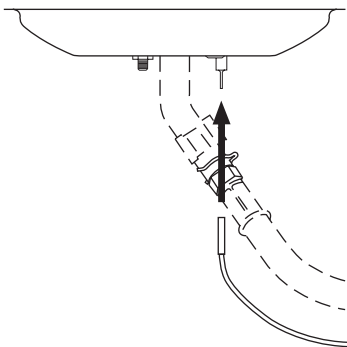
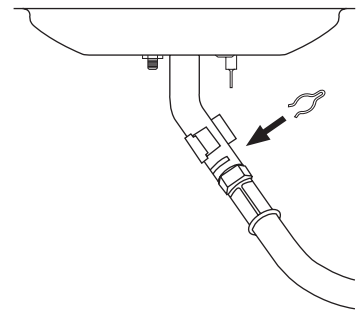
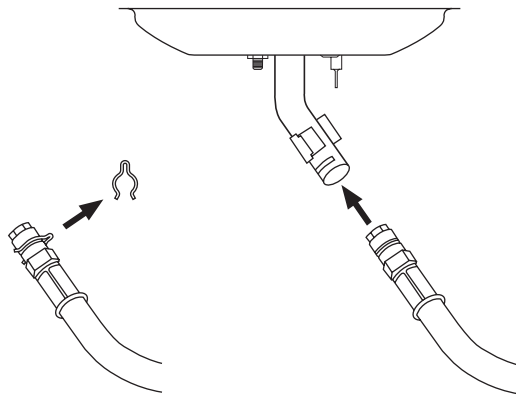
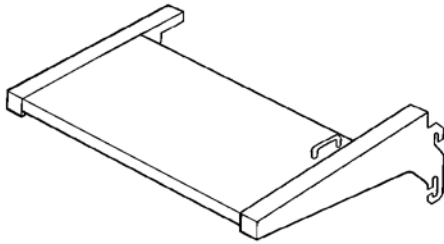
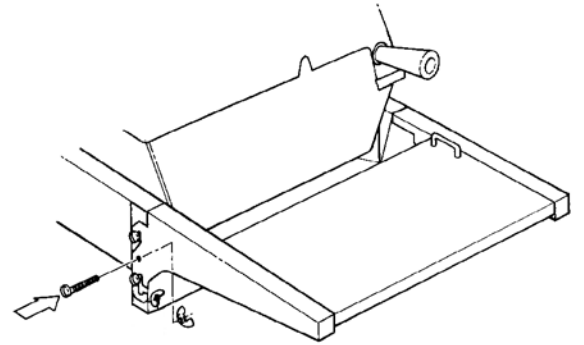
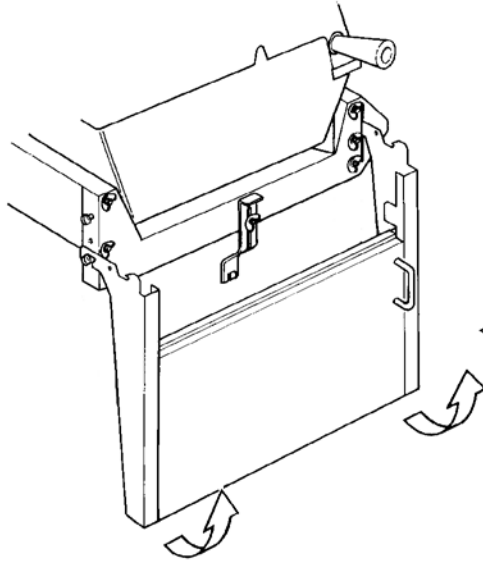
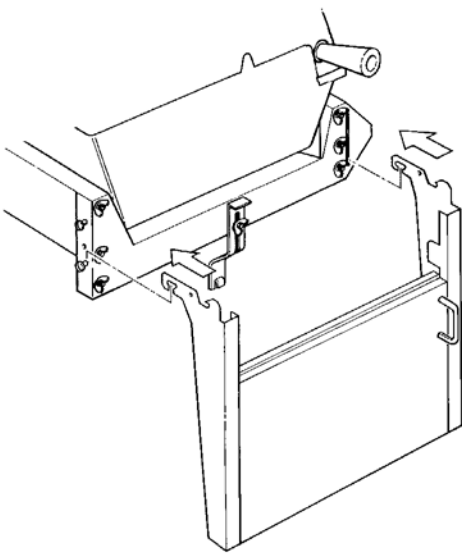
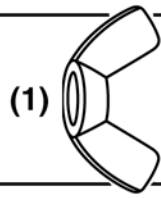
3

(1)



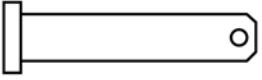
(1)



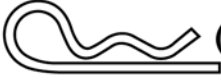


4

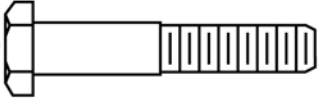
(2)



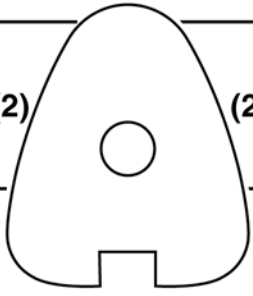
(2)



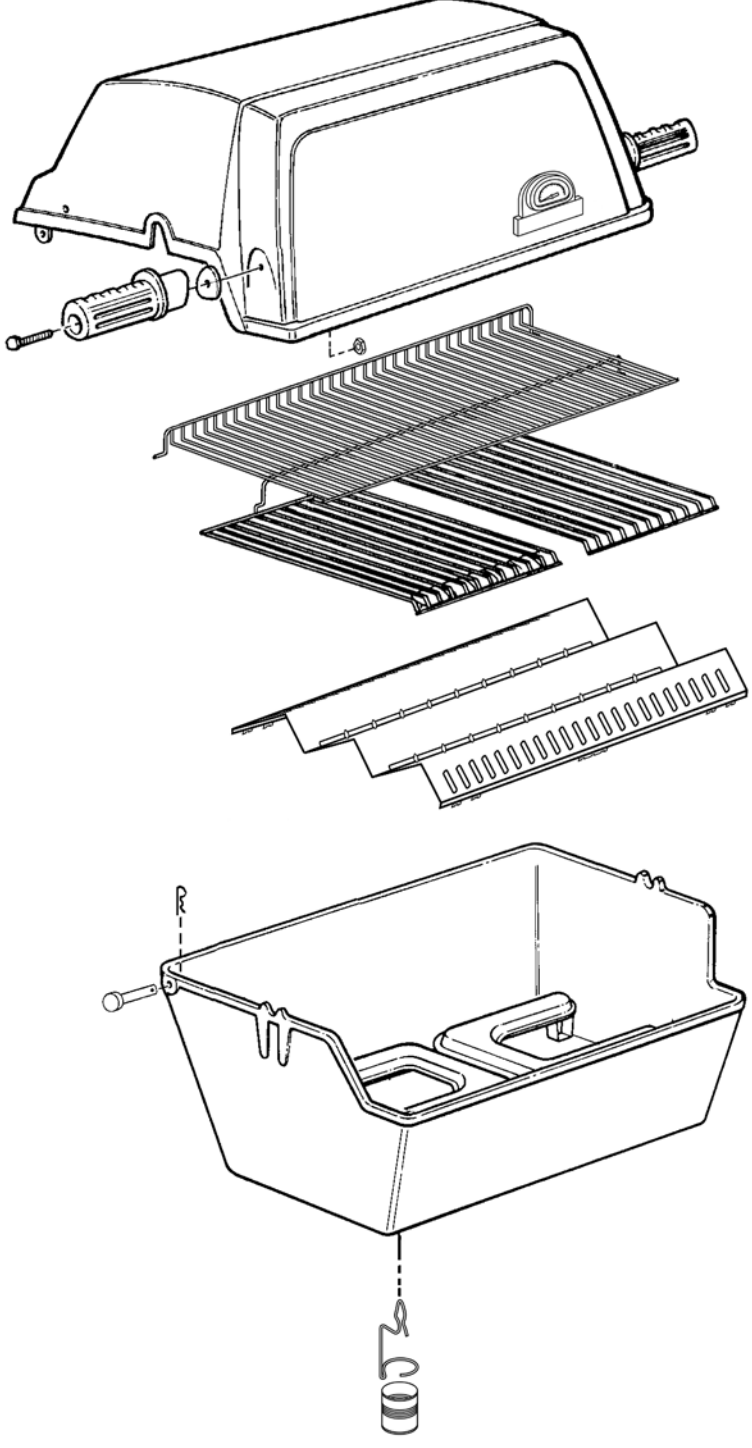
(2)



(2)



(2)



PARTS LIST / LISTE DES PIECES

KEY	ITEM #	DESCRIPTION	702-8	712-8	716-8	732-8	742-8	KEY	ITEM #	DESCRIPTION	702-8	712-8	716-8	732-8	742-8
1	S11425	CASTING BOTTOM	1	1	1	1	1	80	Y-11546	SCREW - 1/4:20 X 5/8	8	8	8	8	8
2	S11290	CASTING TOP	1	1	•	1	1	81	Y-11545	BOLT - 1/4:20 X 1-3/8	4	4	4	4	4
	S11296	CASTING TOP	•	•	1	•	•	82	Y-12855	BOLT - 1/4:20 X 3/8	14	14	14	14	14
3	S14018	NAMEPLATE	1	1	1	1	1	83	S21014	BOLT - 1/4:20 x 3/4	8	8	8	8	8
5	10571-6	HEAT INDICATOR	1	1	1	1	1	84	Y-12220	BUSHING	1	1	1	1	1
6	S21235	HINGE PIN	2	2	2	2	2	85	Y-11211	WASHER - LOCK 1/4	8	8	8	8	8
7	S21233	HINGE CLIP	2	2	2	2	2	86	Y-11795	NUT - 1/4	•	•	8	•	•
8	10222-T42	GRATE	1	1	•	1	1	87	Y-11793	NUT - 1/4	12	12	14	12	12
	10222-T424	FLAV-R-WAVE	•	•	1	•	•	88	Y-11598	NUT WING - 1/4	4	4	2	4	4
9	S12028	GRID	2	2	2	2	2	96	S21123	SCREW - 8 X 1/2	4	4	4	4	4
11	S12206	GRID RETRACTABLE	1	1	1	1	1	98	S21124	SCREW - 8 X 1/2	26	26	24	26	26
15	S10017	BURNER ASSY	1	1	1	1	1	99	Y-12646	SCREW - SHOULDER	4	4	4	4	6
17	10342-21	IGNITOR	1	1	•	1	•	101	Y-12853	WASHER - #8	•	4	4	4	4
	10342-241	ROTARY IGNITOR	•	•	1	•	1	104	Y-12835	SCREW - 6-32 X 1/4	6	6	8	6	6
	10472-K40	IGNITOR KNOB	•	•	1	•	•	105	Y-29307	NUT - 10:24	•	•	•	•	4
18	S15500	ELECTRODE	1	1	1	1	1	108	PB20-60	KNOB	•	•	•	•	1
21	10440-K51	CONTROL ASSY NG	1	1	1	•	•	109	S21136	SCREW 8-32 X 3/8	•	•	1	•	2
	10440-R52	CONTROL ASSY NG	•	•	•	1	•	110	10225-T10	GRID	•	•	•	•	1
	10442-R54	CONTROL ASSY NG	•	•	•	•	1	111	10390-E10	SIDE BURNER	•	•	•	•	1
21A.	S13467-132	HOSE-SIDE BURNER NG	•	•	•	•	1	113	10342-T12	ELECTRODE	•	•	•	•	1
	Y-11230	COTTER PIN	•	•	•	•	1	114	10393-K40	COVER - SIDE BURNER	•	•	•	•	1
21B.	10110-91	HOSE-REAR BURNER NG	•	•	•	1	1	115	Y-29304	SCREW 10:24 X 1/2	2	2	2	2	2
22	10111-K23	HOSE NG	1	1	1	1	1	117	10393-R50	SHELF - SIDE BURNER	•	•	•	•	1
23	10472-K36	CONTROL KNOB	2	2	•	3	4								
	10472-K37	CONTROL KNOB	•	•	2	•	•								
30	10086-R504	DECO PLATE	•	•	1	•	•								
	S14181	DECO PLATE	1	1	•	•	•								
	S14186	DECO PLATE	•	•	•	1	•								
	S14187	DECO PLATE	•	•	•	•	1								
31	10194-K501	CONTROL COVER	1	1	•	1	1	40	10958-K811	PATIO BASE	1				
	10194-R561	CONTROL COVER	•	•	1	•	•	45	10184-K80	PATIO BASE - SUPPORT	1				
35	10184-K561	SUPPORT - CASTING-LH	1	1	•	1	1	48	10958-K561	POST BASE - BRACKET	1				
	10184-R561	SUPPORT - CASTING-LH	•	•	1	•	•	83	S21014	BOLT 1/4:20 X 3/4	4				
36	10184-K571	SUPPORT - CASTING-RH	1	1	•	1	1	85	Y-11211	WASHER - LOCK 1/4	4				
	10184-R571	SUPPORT - CASTING-RH	•	•	1	•	•	87	Y-11793	NUT 1/4-20	4				
37	10184-K581	SUPPORT - SHELF - LH	•	2	2	2	2	90	Y-12286	LAG BOLT - 5/16 X 4	4				
38	10184-K591	SUPPORT - SHELF - RH	•	2	2	2	2	92	Y-12851	WASHER - 3/8	4				
39	10958-K641	BRACE - REAR	1	1	•	1	1								
	10958-R831	BRACE - REAR	•	•	1	•	•								
41	10958-K631	BRACE - FRONT	1	1	•	1	1								
	10958-K851	BRACE - FRONT	•	•	1	•	•								
42	10958-K521	POST SUPPORT	1	1	1	1	1	43	10958-K55	POST - INGROUND	1				
46	10958-K531	POST	1	1	1	1	1	83	S21014	BOLT 1/4:20 X 3/4	2				
47	10958-K541	POST COVER	1	1	1	1	1	86	10958-K58	POST - BRACE	1				
49	10711-K541	CONDI - BIN	•	1	1	1	1	87	Y-11793	NUT - HEX 1/4:20	2				
50	10711-K551	SHELF - SIDE	•	2	2	2	1								
53	S16144-2	SHELF - BOARD - FRONT	•	1	1	1	1								
57	10156-K55	SHIELD	1	1	•	1	1								
65	S13009	BURNER ROTISSERIE	•	•	•	1	1								
68	S21362	SPRING	•	•	•	2	2								
70	Y-11990	HEX NUT	•	•	•	1	1								
71	10696-160	REAR BURNER-ORIFICE NG	•	•	•	1	1								
74	Y-6616	BOLT	2	2	2	2	2								
75	10338-145	RESIN HANDLE	2	2	2	2	2								
76	10239-7	WASHER - HANDLE	2	2	2	2	2								
77	S15111	GREASE CUP HOLDER	1	1	1	1	1								
79	Y-11561	SCREW 1/4-20	1	1	2	1	1								

OPTIONAL

11300 PATIO BASE ASSY

40	10958-K811	PATIO BASE	1				
45	10184-K80	PATIO BASE - SUPPORT	1				
48	10958-K561	POST BASE - BRACKET	1				
83	S21014	BOLT 1/4:20 X 3/4	4				
85	Y-11211	WASHER - LOCK 1/4	4				
87	Y-11793	NUT 1/4-20	4				
90	Y-12286	LAG BOLT - 5/16 X 4	4				
92	Y-12851	WASHER - 3/8	4				

11240 POST EXTENSION ASSY

43	10958-K55	POST - INGROUND	1				
83	S21014	BOLT 1/4:20 X 3/4	2				
86	10958-K58	POST - BRACE	1				
87	Y-11793	NUT - HEX 1/4:20	2				

