

This Owner's Manual is provided and hosted by [Appliance Factory Parts](http://www.appliancefactoryparts.com).



# Charbroil 463352205 Owner's Manual

[Shop genuine replacement parts for Charbroil  
463352205](#)



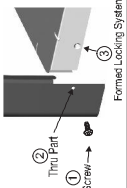
[Find Your Charbroil Grill Parts - Select From 3592 Models](#)

----- Manual continues below -----

Necessary tools for assembly of your grill is a Phillips head screwdriver. **CAUTION:** When using a power screwdriver set it to low torque. Size and type of hardware used in assembly of your grill may vary, but will not affect grill integrity.

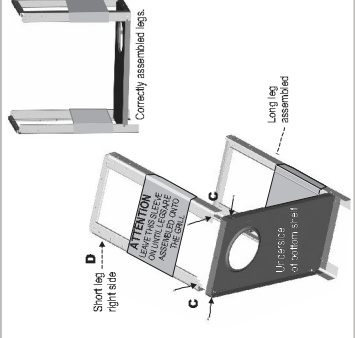
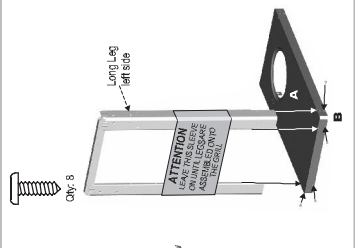
**NEW**  
T. L. M. - Torque Locking Method

1. Screw 1 Thin Part - Torque Lock - Solid Lock Cart Structure
  2. Attach rail and legs with two screws in each corner.
  3. Insert tabs on front panel beside leg tabs.
- The cart assembly utilizes the new T. L. M. locking method. No nuts are required for the side style foot & nut combination.

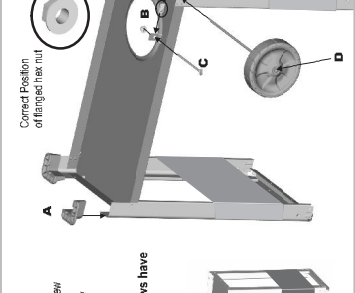


Forms Locking System.

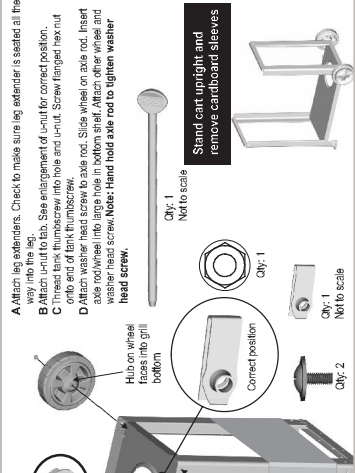
- 1** Items to Assemble  
1 Long Leg Assembly  
1 Short Leg Assembly  
8 Screws
- A Place bottom end on table or grill container.  
B Insert tabs on long leg assembly into bottom shell.  
C Attach leg assembly with one screw on each side.  
D Attach leg assembly B and C for short leg assembly.



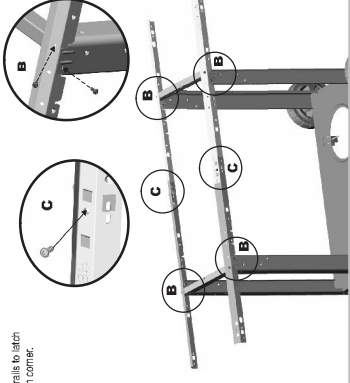
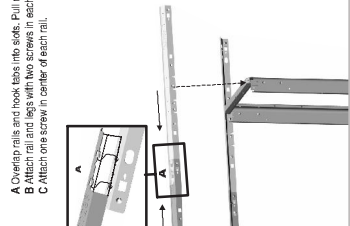
- 2** Items to Assemble  
1 Axle Rod  
2 Washer Head Screw  
1 U-Nut  
1 Tank Thumbscrew  
1 Flanged Hex Nut  
2 Leg Extenders
- CAUTION: Ends of screws have sharp points



- A Attach leg extenders. Check to make sure leg extender is seated at the bottom of the grill.  
B Attach axle rod. See engagement of U-nut for correct position.  
C Thread tank thumbscrew into hole and U-nut. Screw flanged hex nut onto end of tank thumbscrew.  
D Attach washer head screw to axle rod. Slide wheel on axle rod. Insert axle rod/wheel into large hole in bottom shell. Attach other wheel and leg extenders with screws. Note: Hand hold axle rod to tighten washer head screw.



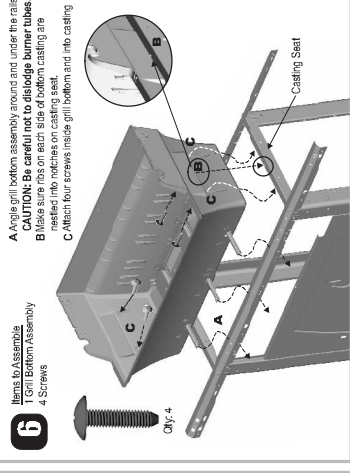
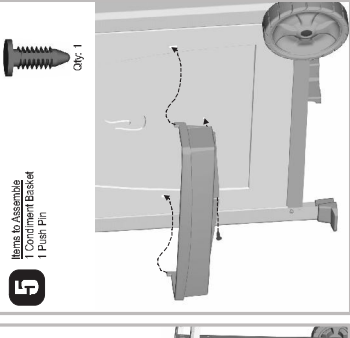
- 3** Items to Assemble  
4 Rails (all identical)  
10 Screws



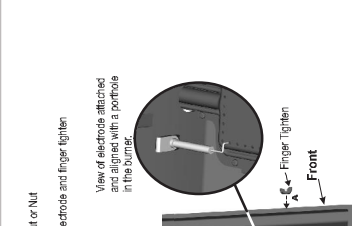
- 4** Items to Assemble  
1 Front Panel  
2 Push Pins
- A Place tabs on front panel beside leg tabs.  
B Insert push pins into front panel and legs.

- 5** Items to Assemble  
1 Containment Basket  
1 Push Pin

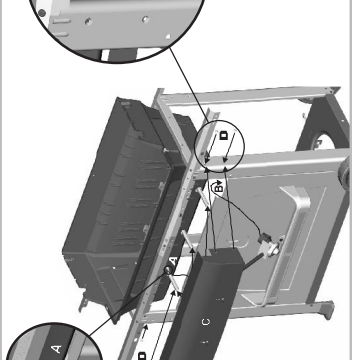
- 6** Items to Assemble  
1 Grill Bottom Assembly  
4 Screws
- A Angle grill bottom assembly around and under the rails.  
CAUTION: Be careful not to dislodge burner tubes.  
B Press grill bottom assembly into carting and nestle into tracks on carting side.  
C Attach four screws inside grill bottom and into carting.



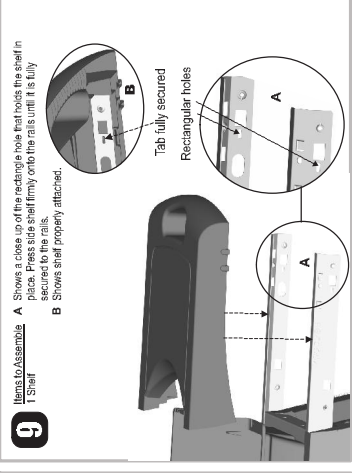
- 7** Items to Assemble  
1 Electrode w/ Wing Nut or Nut



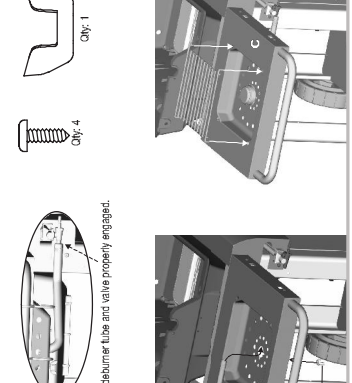
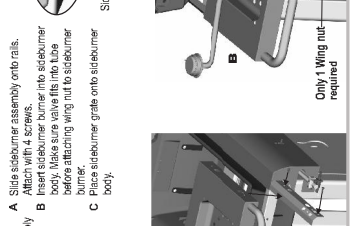
- 8** Items to Assemble  
1 Control Panel  
3 Screws
- Loosen long wire and place behind front panel. Do not connect at this time.  
A Hold control panel close to bottom casing. Attach short ignitor wire to electrode.  
B Insert regulator into opening in front burner-valve view. Rotate control panel up and rest flange over rail.  
C Position valves into burner tubes (see burner-valve view). Rotate control panel up and rest flange over rail.  
D Attach control panel to legs with a screw in top hole. On the right side attach a screw in second hole.
- Note: Control panel may have unused holes above valves for features in other grill models.



- 9** Items to Assemble  
1 Shelf
- A Shows a close up of the rectangular hole that holds the shelf in place. Press side shell firmly onto the rails until it is fully secured to the rails.  
B Shows shelf properly attached.



- 10** Items to Assemble  
4 Sideburner Assembly  
1 Sideburner Burner  
1 Wing Nut  
1 Sideburner Grate



- 11** Items to Assemble  
1 Fascia  
1 Screw
- A Insert tabs on fascia into 2 slots on sideburner assembly. Fasten fascia into second hole.  
B Attach ignitor wire from electrode ignition module to electrode beneath sideburner.

- 12** Items to Assemble  
1 Handle  
2 Shoulder Bolts  
2 Wing Nuts  
4 Control Knobs  
1 Ignitor Button  
1 AA-Battery

