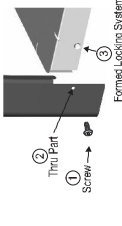


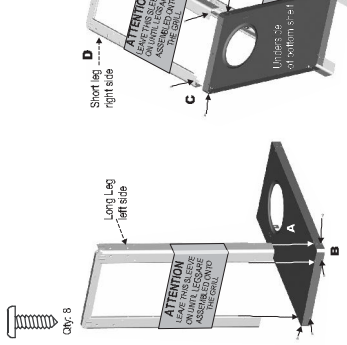
Necessary tools for assembly of your grill is a Phillips head screwdriver. CAUTION: When using a power screwdriver set to low torque, size and type of hardware used in assembly of your grill may vary, but will not affect grill integrity.

"NEW"
T.L.M. - Torque Locking Method

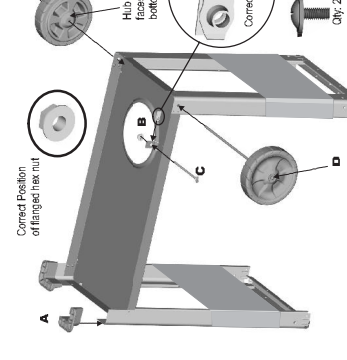
- 1 Screw
 - 2 Thru Part
 - 3 Formed Lock Structure
- The cart assembly utilizes the new T.L.M. locking method. No need for the old style "ball & nut" combination.



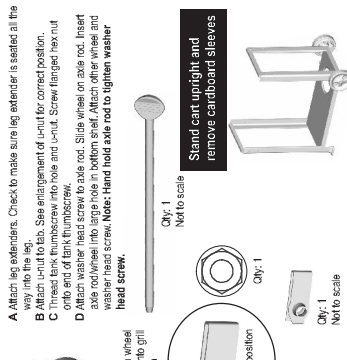
- 1** Items to Assemble
1 Long Leg Assembly
4 Screws
- Place bottom seal on table or grill container.
 - Insert tabs on long leg assembly into bottom shelf.
 - Attach leg assembly with one screw.
 - Repeat step B and C for second leg assembly.



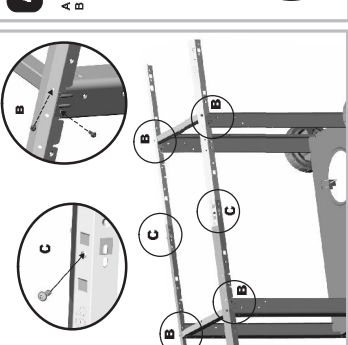
- 2** Items to Assemble
2 Axle Rod
2 Washer Head Screw
1 U-Nut
1 Tank Thumbscrew
1 Fan Thumbscrew
2 Leg Extensions
- CAUTION: Ends of screws have sharp points
- Turn cart upside down



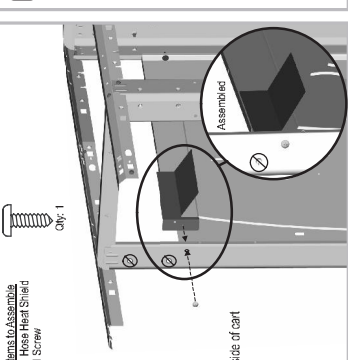
- A** Attach the splenders. Check to make sure leg extender is seated at the splender hole.
- B** Attach unit to tab. See engagement of U-nut for correct position.
- C** Thread tank thumbscrew into hole and U-nut. Screw flanged hex nut onto end of tank thumbscrew.
- D** Attach washer head screw to axle rod. Slide wheel on axle rod. Insert axle rod/washer into upper leg in bottom shelf. Attach after wheel and splender are secure. Note: Hand hold axle rod to tighten washer head screw.



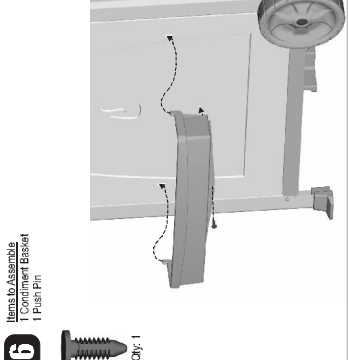
- 3** Items to Assemble
1 Cast Bottom Assembly
10 Screws
- Overlap rails and hook tabs into slots. Pull rails to latch each corner.
 - Attach one screw in center of each rail.



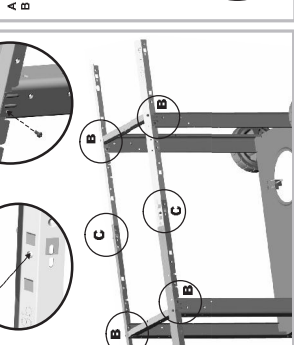
- 4** Items to Assemble
1 Cast Bottom Assembly
2 Push Pins
- Place tabs on front panel beside leg tabs.
 - Insert push pins into front panel and legs.



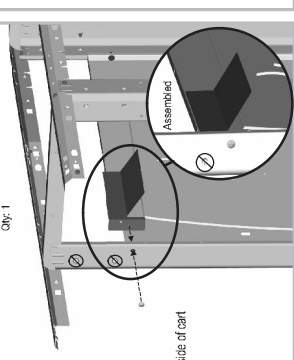
- 5** Items to Assemble
1 Heat Head Shield
1 Screw
- Right side of cart



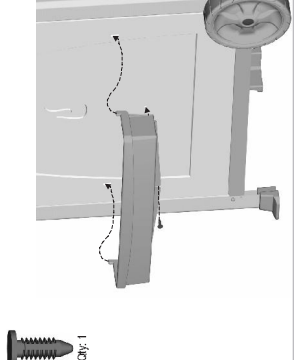
- 6** Items to Assemble
1 Control Basket
1 Push Pin



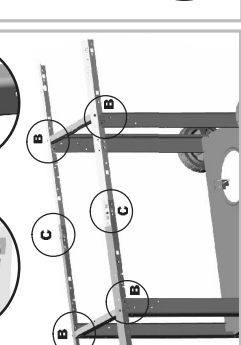
- 7** Items to Assemble
1 Side Burner Assembly
4 Screws



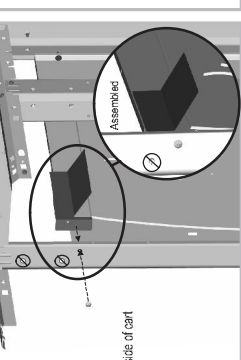
- 8** Items to Assemble
1 Electrode Wring Nut or Nut
1 Finger Tighten



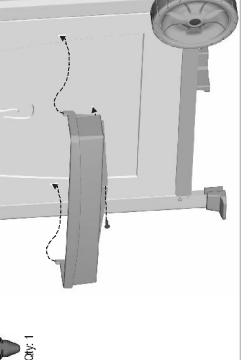
- 9** Items to Assemble
1 Top Casting
2 Shoulder Bolts
2 Wing Nuts
4 Control Knobs
1 Ignition Button
1 AAA Battery



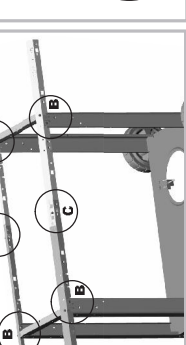
- 10** Items to Assemble
1 Control Basket
1 Push Pin



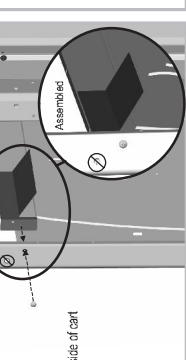
- 11** Items to Assemble
1 Side Burner Assembly
4 Screws



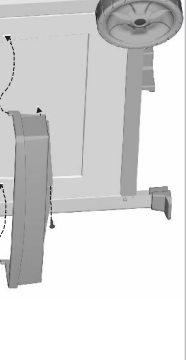
- 12** Items to Assemble
1 Fascia
1 Screw



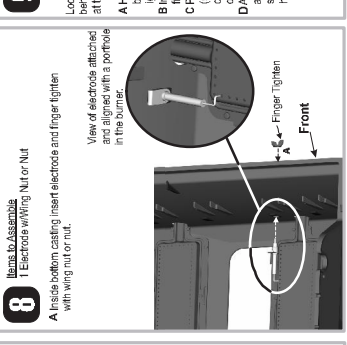
- 13** Items to Assemble
1 Top Casting
2 Shoulder Bolts
2 Wing Nuts
4 Control Knobs
1 Ignition Button
1 AAA Battery



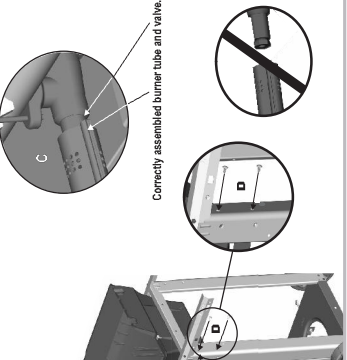
- 14** Items to Assemble
1 Top Casting
2 Shoulder Bolts
2 Wing Nuts
4 Control Knobs
1 Ignition Button
1 AAA Battery



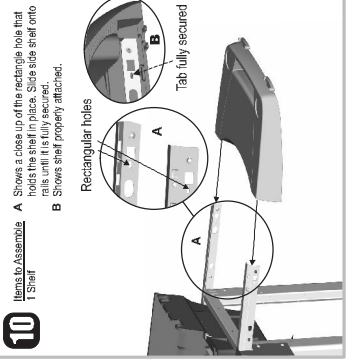
- 15** Items to Assemble
1 Side Burner Assembly
4 Screws



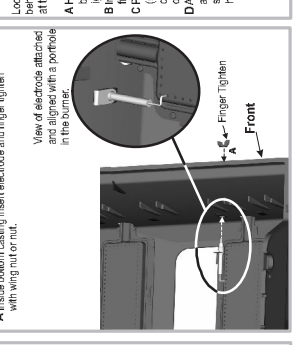
- 16** Items to Assemble
1 Top Casting
2 Shoulder Bolts
2 Wing Nuts
4 Control Knobs
1 Ignition Button
1 AAA Battery



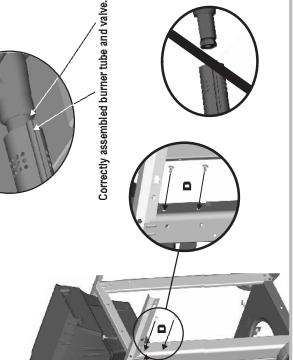
- 17** Items to Assemble
1 Top Casting
2 Shoulder Bolts
2 Wing Nuts
4 Control Knobs
1 Ignition Button
1 AAA Battery



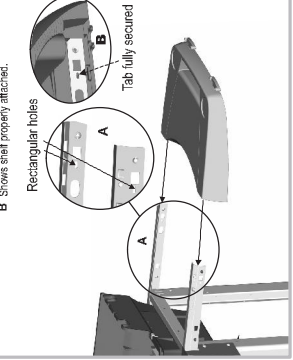
- 18** Items to Assemble
1 Top Casting
2 Shoulder Bolts
2 Wing Nuts
4 Control Knobs
1 Ignition Button
1 AAA Battery



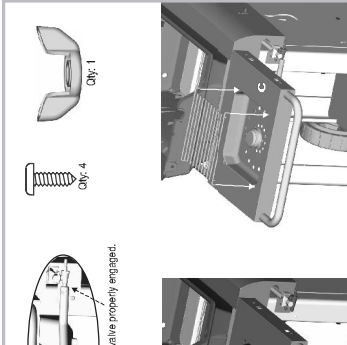
- 19** Items to Assemble
1 Top Casting
2 Shoulder Bolts
2 Wing Nuts
4 Control Knobs
1 Ignition Button
1 AAA Battery



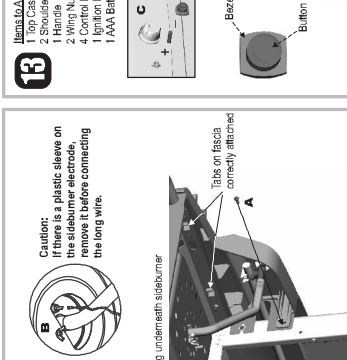
- 20** Items to Assemble
1 Top Casting
2 Shoulder Bolts
2 Wing Nuts
4 Control Knobs
1 Ignition Button
1 AAA Battery



- 21** Items to Assemble
1 Top Casting
2 Shoulder Bolts
2 Wing Nuts
4 Control Knobs
1 Ignition Button
1 AAA Battery



- 22** Items to Assemble
1 Top Casting
2 Shoulder Bolts
2 Wing Nuts
4 Control Knobs
1 Ignition Button
1 AAA Battery



- 23** Items to Assemble
1 Top Casting
2 Shoulder Bolts
2 Wing Nuts
4 Control Knobs
1 Ignition Button
1 AAA Battery

