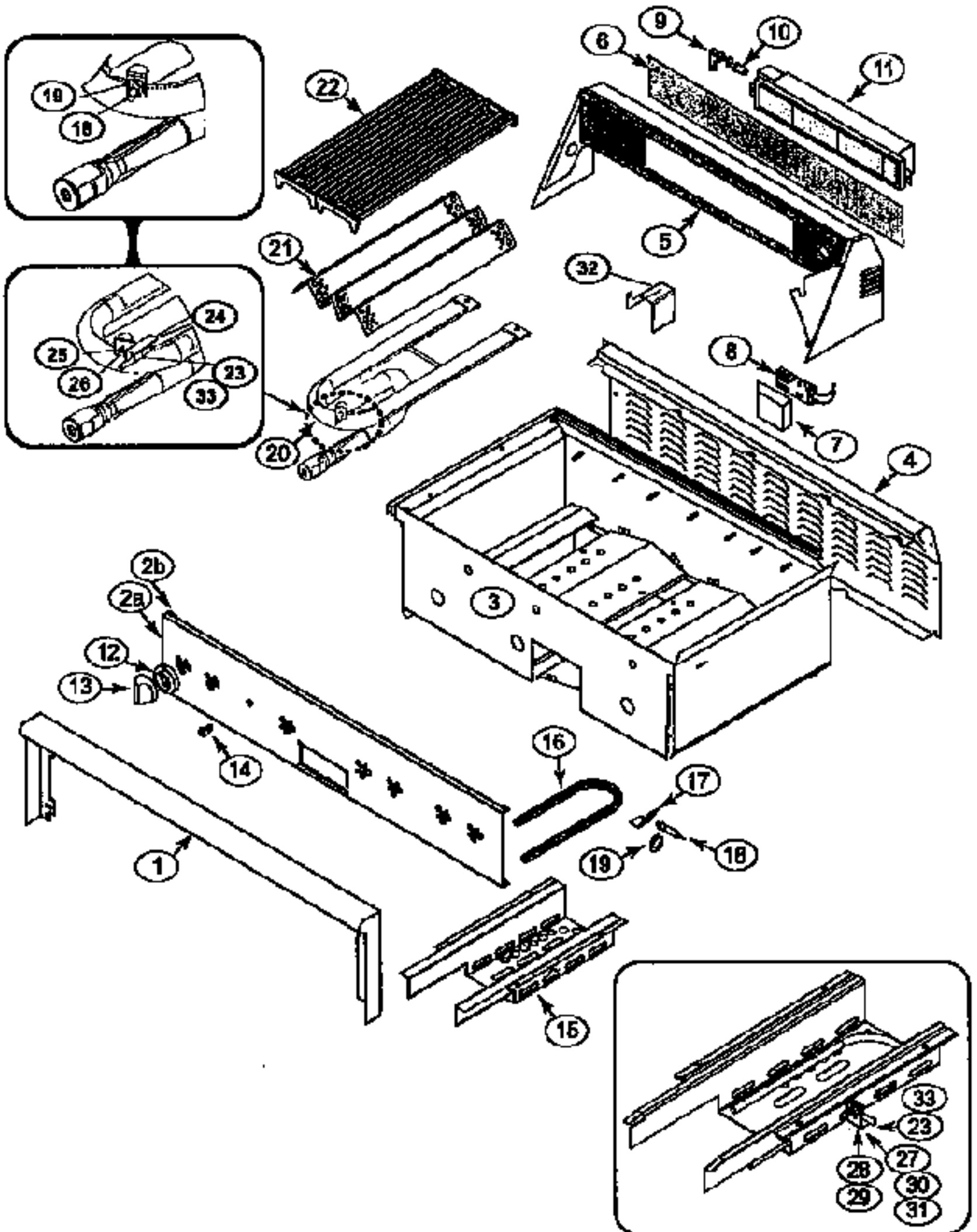


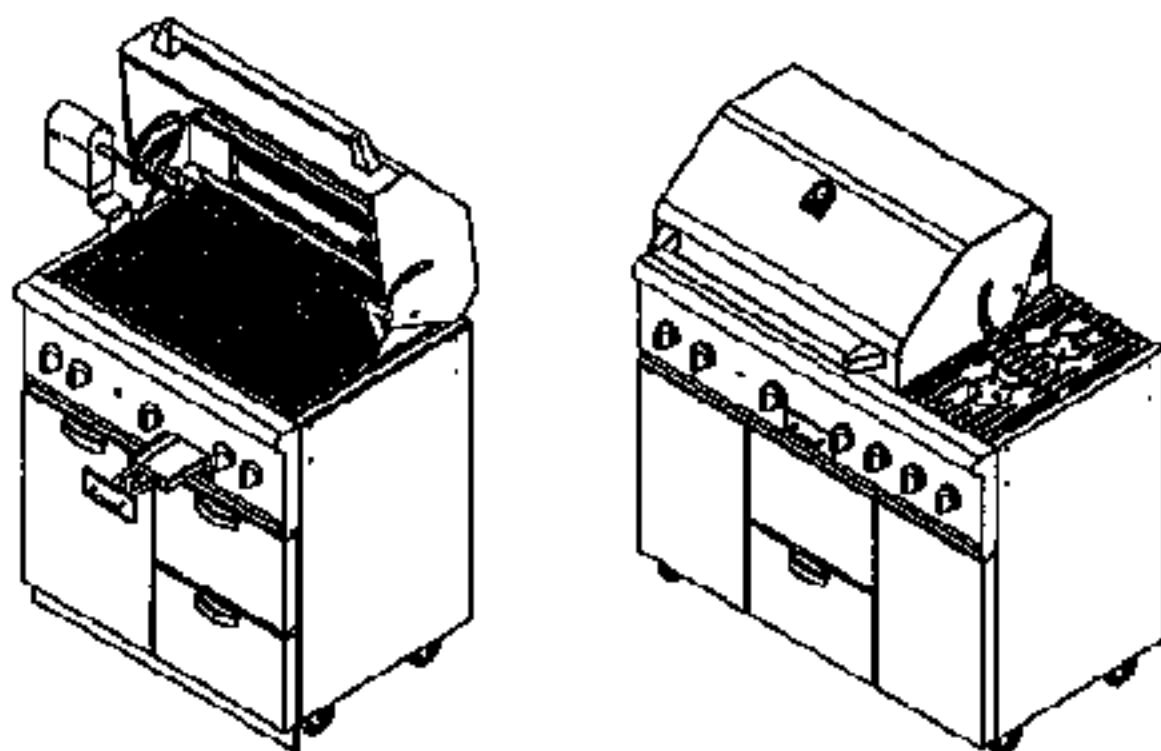
INNER BURNER BOX



Thermador

PARTS LIST

for
THERMADOR®
CHAR GLO® OUTDOOR BARBECUES



Models: **CGB36RU /**
CGB48RU / CGB48RSBU

Table of Contents

Model CGB36RU	Page 2
Cart Parts	Page 2
Outer Burner Box	Page 4
Inner Burner Box	Page 6
Drawers & Trays	Page 8
Hood, Rotisserie, & Shelf	Page 10
Publications, Hardware, & Fasteners	Page 12
Wiring Diagram	Page 13
 PANEL KITS: C36FP, C48FP, C48SBFP	 Page 14
Panel Kit Illustration	Page 15
 Models CGB48RU / CGB48RSBU	 Page 16
Cart Parts	Page 16
Outer Burner Box	Page 18
Inner Burner Box	Page 20
Drawers & Trays	Page 22
Hood, Rotisserie, & Shelf	Page 24
Publications, Hardware, & Fasteners	Page 26
CGB48RSBU Wiring Diagram	Page 27
CGB48RU Wiring Diagram	Page 28

Accessories

<u>Part No</u>	<u>Description</u>	<u>Qty</u>
C36SC	Cover, Black, Vinyl CGB36	1
C48SC	Cover, Black, Vinyl CGB48RU	1
C48SBSC	Cover, Black, Vinyl CGB48RSBU	1

Packout Components

<u>Part No</u>	<u>Description</u>	<u>Qty</u>
08-04-373	Use & Care Manual	1
08-04-351	Installation Instructions	1

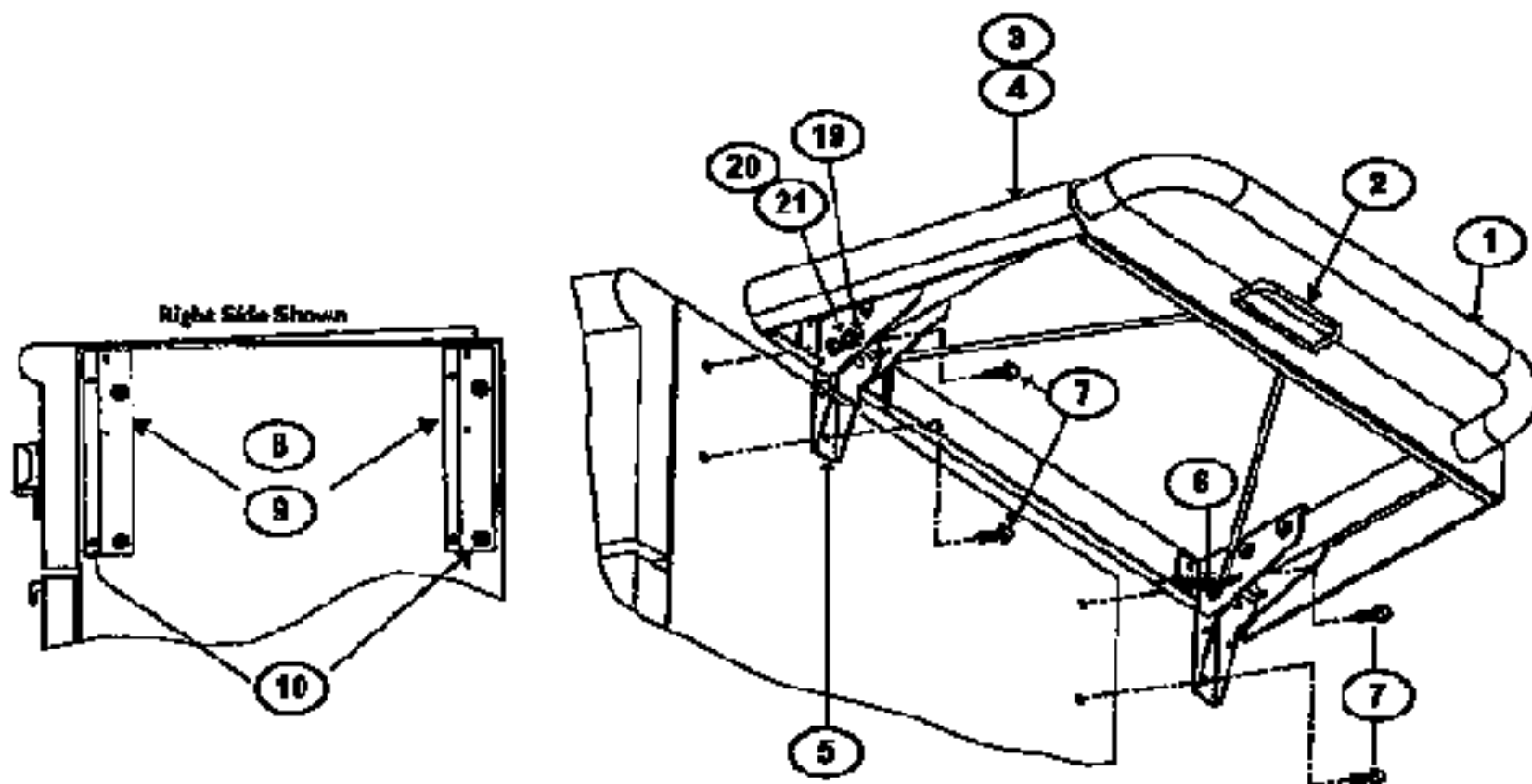
L.P. Conversion Components (N.G. to L.P.)

<u>Model No.</u>	<u>Description</u>	<u>Part Number</u>	<u>Qty.</u>
CGB36RU	#54 Orifice Hood, Grill Burner	08-04-082-05	3
	#59 Orifice Hood, Infrared Burner	08-04-082-02	1
	#73 Orifice, Smoker Burner	08-04-066-04	1
	Conversion Sticker	20-09-337	1
CGB48RSBU	#54 Orifice Hood, Grill Burner	08-04-082-05	3
	#59 Orifice Hood, Infrared Burner	08-04-082-02	1
	#73 Orifice, Smoker Burner	08-04-066-04	1
	#56 Orifice, Slide Burner	15-10-186	2
	Conversion Sticker	20-09-337	1
CGB48RU	#54 Orifice Hood, Grill Burner	08-04-082-05	4
	#59 Orifice Hood, Infrared Burner	08-04-082-02	2
	#73 Orifice, Smoker Burner	08-04-066-04	1
	Conversion Sticker	20-09-337	1

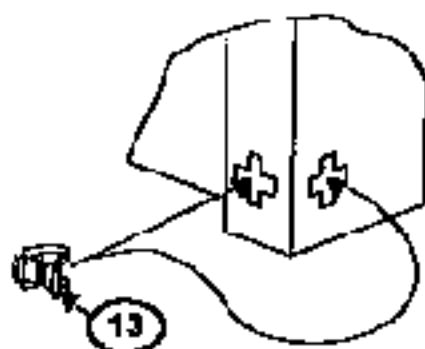
PUBLICATIONS, HARDWARE, & FASTENERS

PART NUMBER	DESCRIPTION
08-04-351	MANUAL, INSTALLATION
08-04-373	MANUAL, CARE AND USE
08-04-392-01	COMPRESSION NUT, 1/4" TUBING
08-04-392-02	COMPRESSION NUT, 5/16" TUBING
08-04-392-03	COMPRESSION NUT, 3/8" TUBING
08-04-393-01	COMPRESSION SLEEVE, 1/4" TUBING
08-04-393-02	COMPRESSION SLEEVE, 5/16" TUBING
08-04-393-03	COMPRESSION SLEEVE, 3/8" TUBING
14-90-293	SCREW, 10-32 X 1/4 PHIL TRUSS HD SS
14-90-294	SCREW, 10-32 X 3/8 PHIL TRUSS HD SS
14-90-295	BOLT, 1/4-20 X 1/2 SS
14-90-298	SCREW, 10-24 X 3/8 PHIL TRS HD, SS
14-90-299	SCREW, 10-32 X 3/8 PHIL PAN HD SS
14-90-300	SCREW, 10-32 X 1/2 PHIL TRUSS HD SS
14-92-107	WASHER, FLAT, 3/8", SS
14-92-110	SPACER, 6-32 X .25 OD X .875 LG SS
14-93-186	NUT, 8-32 HEX KEPS SS
14-94-088	BUMPER, HOOD FRONT
14-94-089	PIN, .125 DIA. X .75 LG, ROLL

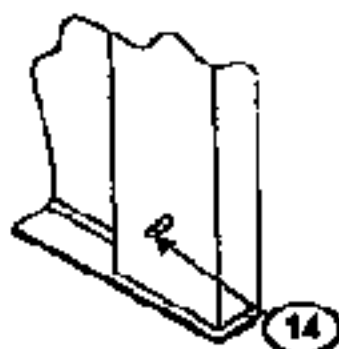
PANEL KITS: C36FP, C48FP, C48SBFP



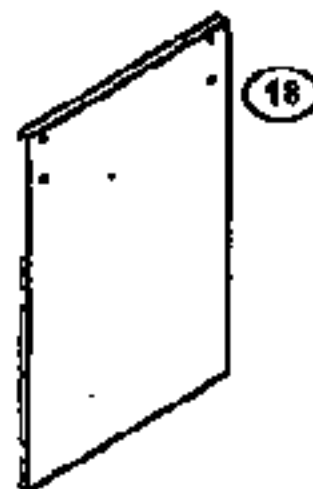
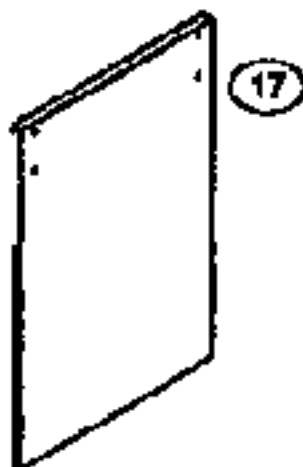
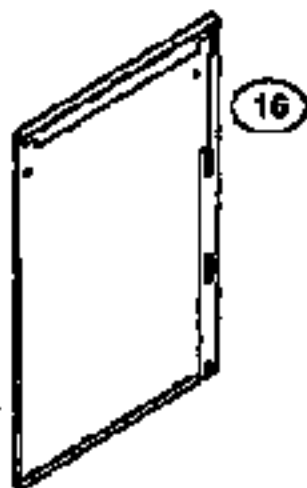
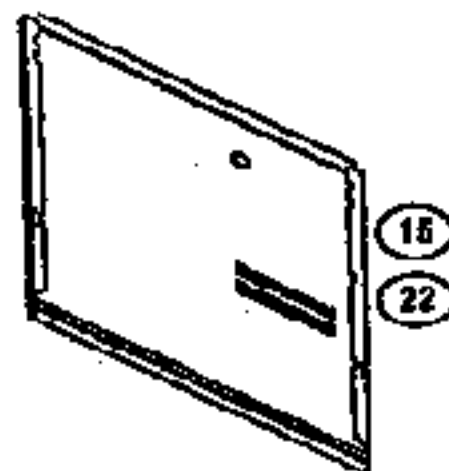
Right Side Shown



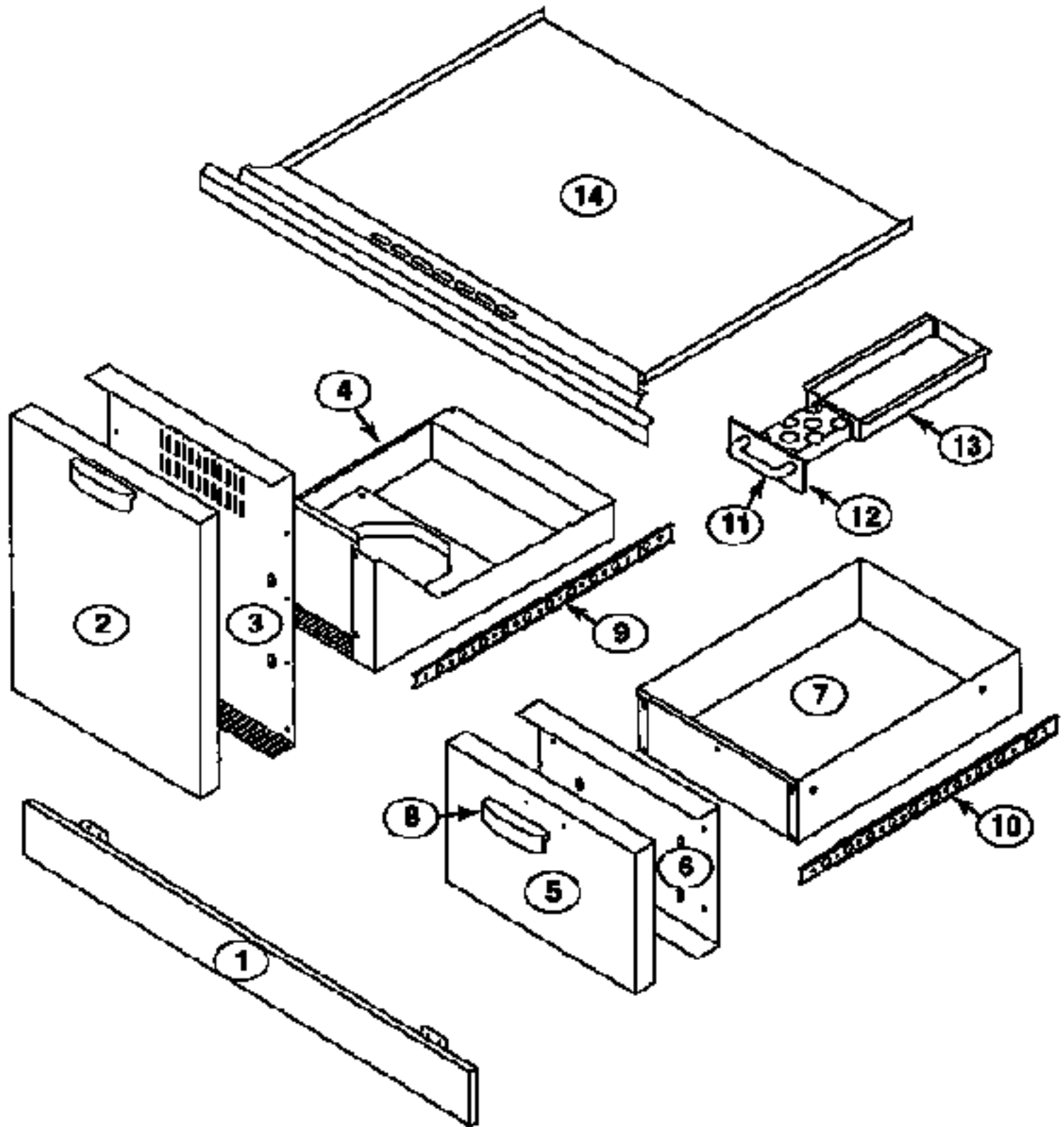
Detail
Cart Rear Corner



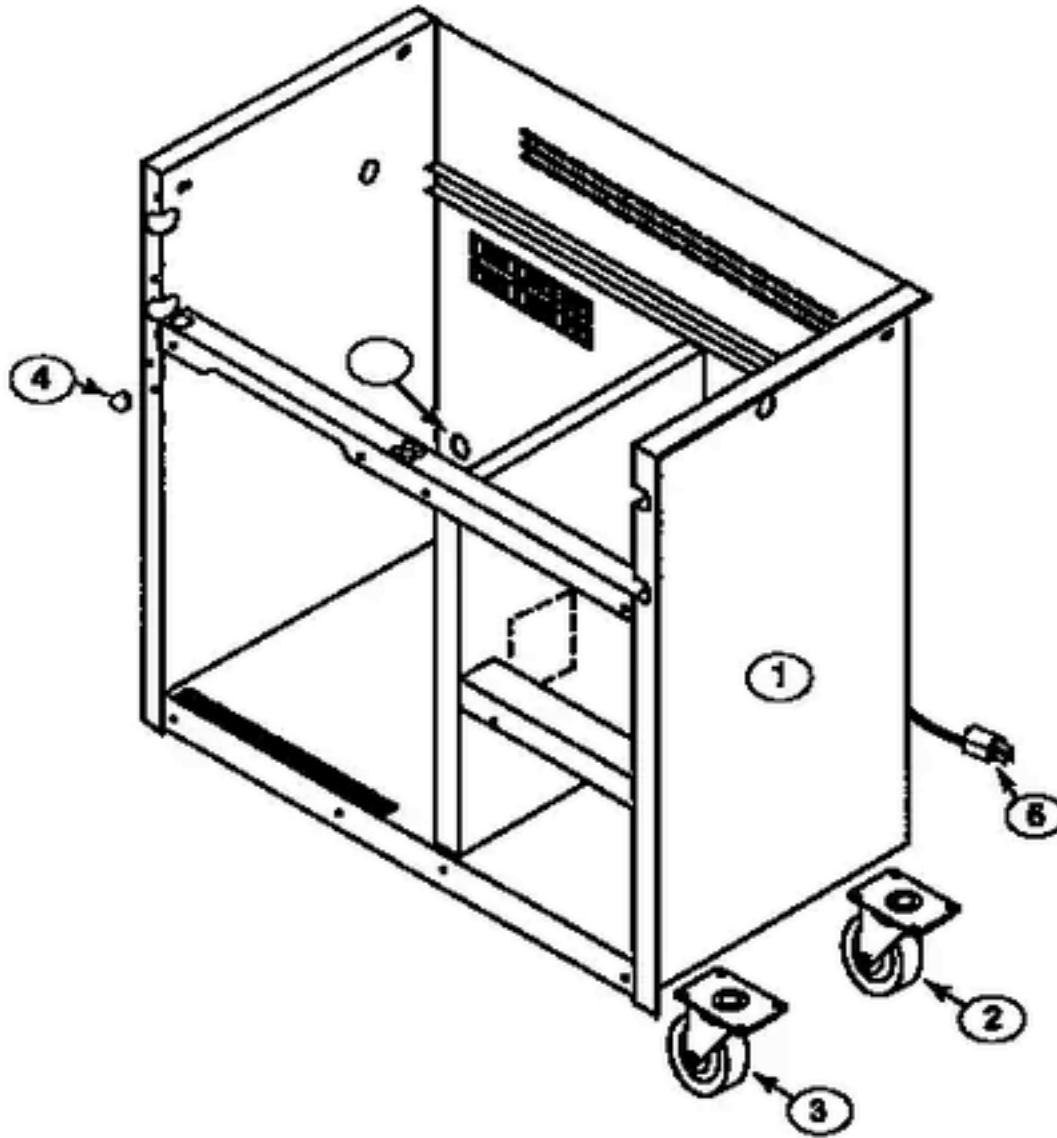
Detail
Side & Rear Panel Corner



DRAWERS & TRAYS



CART PARTS

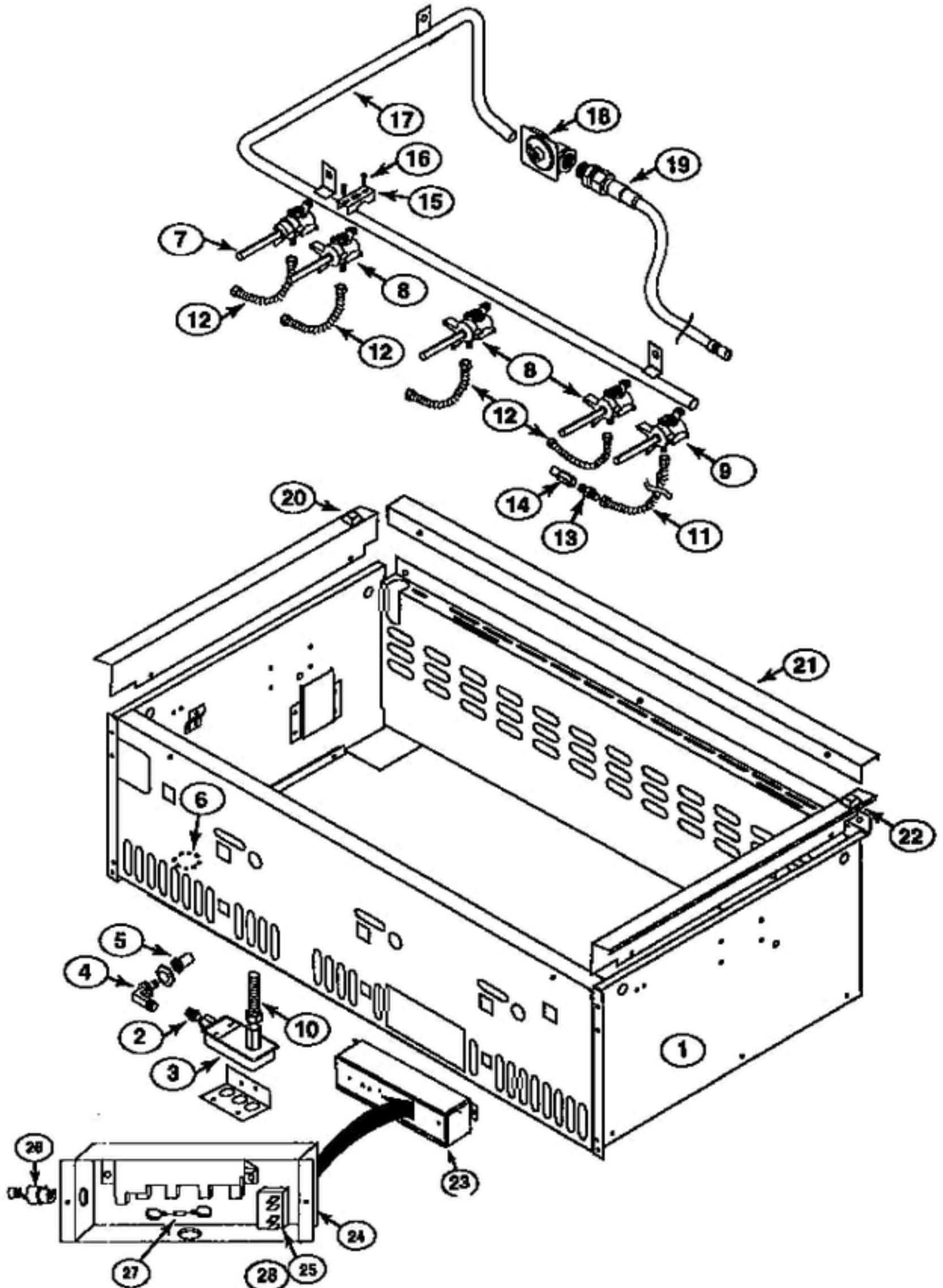


PANEL KITS: C36FP, C48FP, C48SBFP

ITEM	PART NUMBER	DESCRIPTION
1	08-04-096	HANDLE, SIDE SHELF
2	08-04-097	ROD RELEASE, SIDE SHELF
3	08-04-028-01	SIDE SHELF ASSY, LEFT
4	08-04-028-02	SIDE SHELF ASSY, RIGHT
5	08-04-300	HINGE, SIDE CART
6	08-04-098	SPRING, EXTENSION
7	14-90-291	BOLT, 1/4-20X2 HEX HD SS
8	08-04-144-01	CHANNEL, SIDE SHELF LEFT
9	08-04-144-02	CHANNEL, SIDE SHELF RIGHT
10	14-90-295	BOLT, 1/4-20X1/2 SS
11*	14-90-293	SCREW, 10-32X 3/8 PH TRUSS HD
12*	14-93-186	NUT, 8-32 HEX KEPS
13	14-93-187	SPRING CLIP
14	14-94-093	BALL STUD
15	08-04-275	PANEL, CART REAR (C36FP)
16	08-04-280-01	PANEL, SIDE LEFT (ALL MODELS)
17	08-04-280-02	PANEL, SIDE RIGHT (C36FP)
18	08-04-280-03	PANEL, SIDE RIGHT (C48FP/C48SBFP)
19	14-94-087	COTTER PIN
20	14-92-104	WASHER, FLAT 1/4 SS
21	14-93-181	NUT, 1/4-20 HEX NYLOCK
22	08-04-276	Panel, Cart Rear (C48FP/C48SBFP)

* = not illustrated

OUTER BURNER BOX



HOOD and ROTISSERIE

